

## BASE-CLAMPS HOW IT WORKS:

### STEP 1

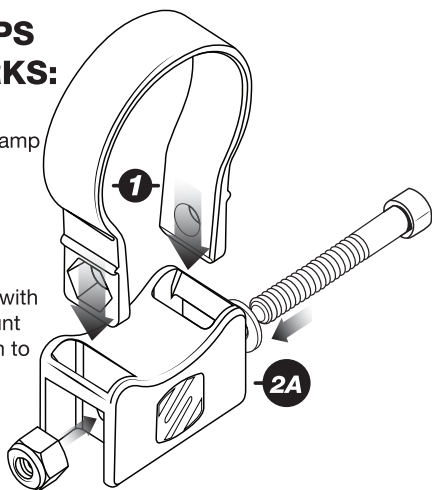
Select the right size clamp  
(Various sizes sold  
separately)

### STEP 2

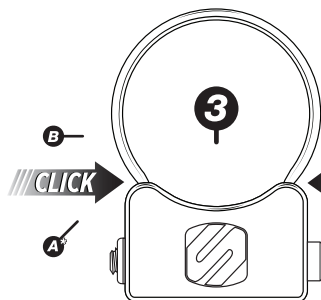
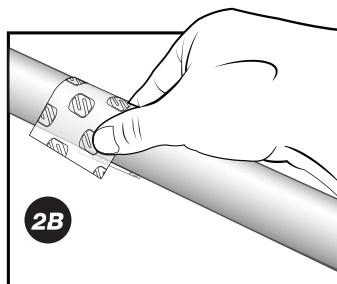
Select the base & ring  
clamp that coincides with  
what you need to mount  
**2A.** Use protective film to  
prevent any paint  
damage **2B.**

### STEP 3

Lock it in place



The self locking clamp design  
allows for easy one person  
installation. Simply slip the clamp  
over tube and lock in your base,  
secure using the stainless  
mounting hardware and you are  
ready to Mount Up and Move Out.



**NOTE:** Ring clamps 2" & over in size may  
require pre-stretching to help spread the  
clamp over the tube. (Use Protective film  
when mounting)

For complete warranty details, please visit us at  
[www.scosche.com](http://www.scosche.com) or call (800) 363-4490

Register your product online at

[www.scosche.com/register](http://www.scosche.com/register)

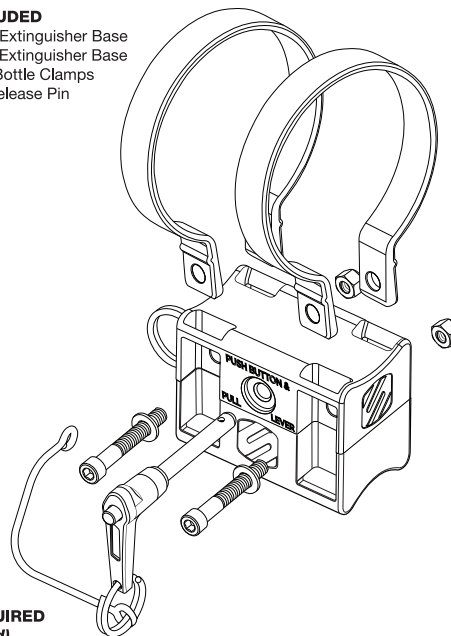
**SCOSCHE**

PSM21000

## FIRE EXTINGUISHER MOUNT BASE

### PARTS INCLUDED

- (1) Upper Fire Extinguisher Base
- (1) Lower Fire Extinguisher Base
- (2) 3.25" Fire Bottle Clamps
- (1) Tethered Release Pin
- (2) Bolts
- (2) Nuts
- (2) Washers



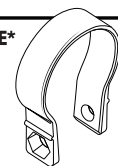
### TOOLS REQUIRED

(Not Included)

3/16" Hex (Allen) Key, Except where noted

### VARIOUS RING CLAMP SIZES SOLD SEPARATELY w/ HARDWARE\*

- PSC21006 - BaseClamp 1.5" Ring Clamp
- PSC21007 - BaseClamp 1.625" Ring Clamp
- PSC21009 - BaseClamp 1.75" Ring Clamp
- PSC21010 - BaseClamp 1.85" Ring Clamp
- PSC21011 - BaseClamp 1.875" Ring Clamp
- PSC21012 - BaseClamp 2" Ring Clamp



**STOP**

**IMPORTANT!**

**DO NOT RETURN PRODUCT TO THE RETAILER**

IF YOU NEED ASSISTANCE OR REPLACEMENT PARTS

CALL US TOLL FREE: 1-800-363-4490 x1

HOURS MON-FRI 8AM-5:30PM (PST) SATURDAY 8AM-2PM (PST)

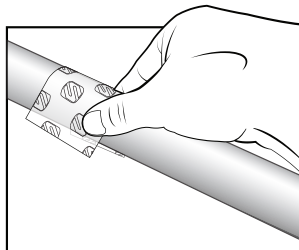
# PSM21000

## FIRE EXTINGUISHER MOUNT BASE

### INSTRUCTIONS

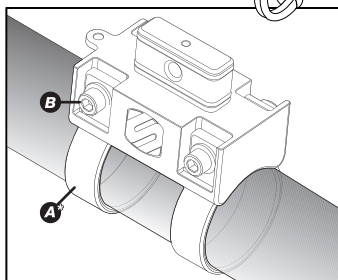
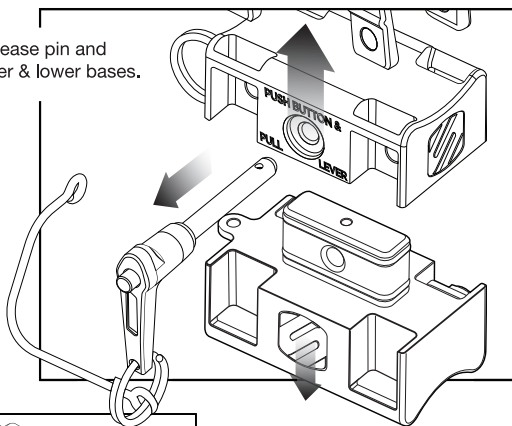
#### STEP 1

Choose a mounting location that is easily accessible.



#### STEP 2

Remove quick release pin and separate the upper & lower bases.



#### STEP 3

Position & mount the lower base using 2 of the appropriate sized clamp rings for the vehicle (A). Use a 3/16" wrench to tightening the screws & nuts included with the clamp (B). Continue until clamp is tight and does not move.

**Note:** Do not exceed 200 inch-pounds.

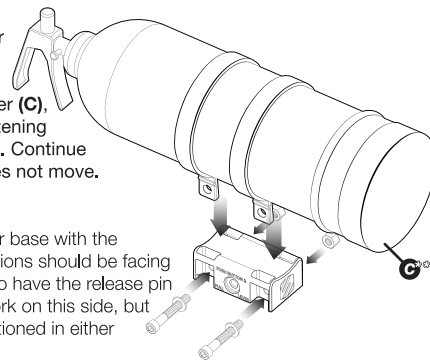
#### Clamp Removal:

In-order to remove the clamp from location, the clamp must first be tightened to allow base removal. Once tightened, loosen the clamp and carefully squeeze clamp to remove from the location. **Note:** Use protective film to help avoid damage to the paint.

\* Various ring clamp sizes available (sold separately w/ hardware).

#### STEP 4

Position & mount the upper base using 2 of the appropriate sized clamp rings for the fire extinguisher (C), use a 3/16" wrench to tightening the included screws & nuts. Continue until clamp is tight and does not move.

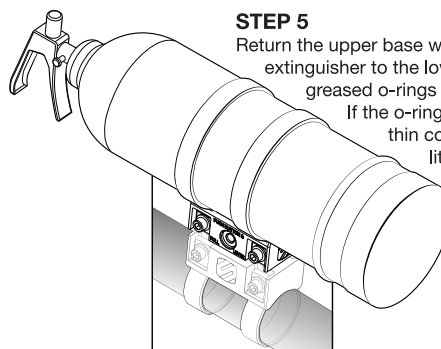


**Note:** The side of the upper base with the 'How to release' pin instructions should be facing the direction that you wish to have the release pin located. The pin will only work on this side, but the upper base can be positioned in either direction.

#### STEP 5

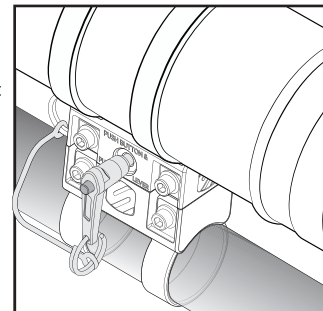
Return the upper base with mounted fire extinguisher to the lower base making sure the 2 greased o-rings are in place in the grooves.

If the o-rings appear dry, use a very thin coating of common white lithium grease (not included) to the o-rings. This will assist in installing and removing the upper base.



#### STEP 6

Once the upper base is mounted to the lower base, replace the tethered quick release pin until it bottoms out and clicks.



\*Various Ring Clamp Sizes Available (Sold Separately w/ Hardware)

\*\* Fire Extinguisher NOT Included