

BASE-CLAMPS HOW IT WORKS:

STEP 1

Select the right size clamp
(Various sizes sold separately)

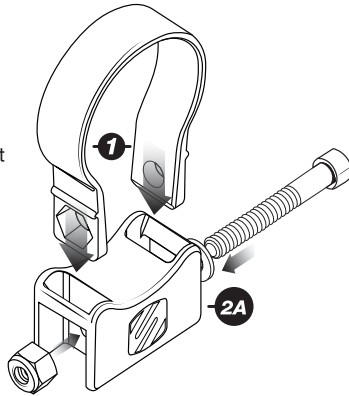
STEP 2

Select the base & ring clamp that coincides with what you need to mount **2A**. Use protective film to prevent any paint damage **2B**.

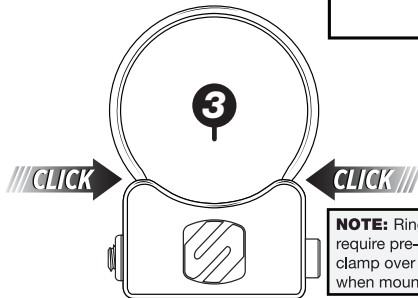
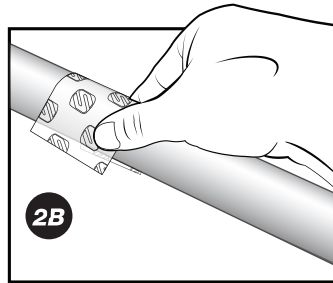
Note: When tightening use a socket or wrench to hold the nut during final torquing on the bar.

STEP 3

Lock it in place



The self locking clamp design allows for easy one person installation. Simply slip the clamp over tube and lock in your base, secure using the stainless mounting hardware and you are ready to Mount Up and Move Out.



NOTE: Ring clamps 2" & over in size may require pre-stretching to help spread the clamp over the tube. (Use Protective film when mounting)

For complete warranty details, please visit us at
www.scosche.com or call (800) 363-4490

Register your product online at

www.scosche.com/register

SCOSCHE

PSM21008

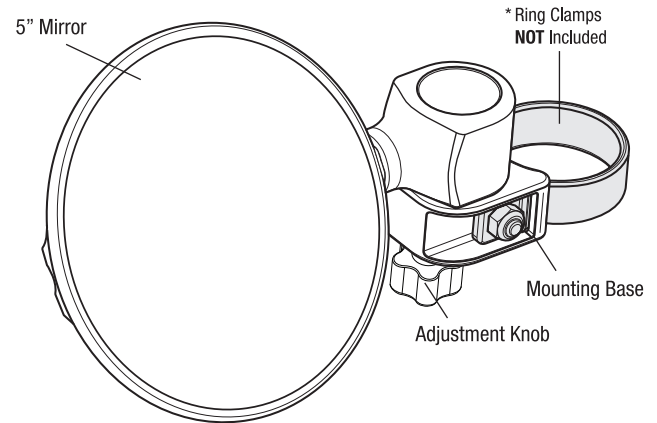
5" ROUND SIDE VIEW MIRROR

PARTS INCLUDED

(2) 5" Side View Mirror w/ Mounting Base & Adjustment Knob

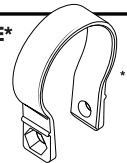
TOOLS REQUIRED (Not Included)

3/16" Hex (Allen) Key, Except where noted



VARIOUS RING CLAMP SIZES SOLD SEPARATELY w/ HARDWARE*

- PSC21006 - BaseClamp 1.5" Ring Clamp
- PSC21007 - BaseClamp 1.625" Ring Clamp
- PSC21009 - BaseClamp 1.75" Ring Clamp
- PSC21010 - BaseClamp 1.85" Ring Clamp
- PSC21011 - BaseClamp 1.875" Ring Clamp
- PSC21012 - BaseClamp 2" Ring Clamp



IMPORTANT!

DO NOT RETURN PRODUCT TO THE RETAILER

IF YOU NEED ASSISTANCE OR REPLACEMENT PARTS

CALL US TOLL FREE: 1-800-363-4490 x1

HOURS MON-FRI 8AM-5:30PM (PST) SATURDAY 8AM-2PM (PST)

PSM21008

5" ROUND SIDE VIEW MIRROR

INSTRUCTIONS

STEP 1

Choose a mounting location (A).

STEP 2

Position & mount one of the 5" Side-View Mirrors to the appropriate sized clamp ring for the vehicle by clicking "clamp ring" into the base (B*). Then use a 3/16" hex key to fasten the screw & nut included with clamp (C). *Do not fully tighten yet.*

STEP 3

Use the 3/16" hex key to adjust the mirror's position. Note: To adjust the mirror's horizontal rotation, insert a 1/4" hex key into hole on the outside of the mirror (D). Tighten carefully once adjustment is complete.

Note: Do not exceed 34 Foot-Pounds.

STEP 4

Once positioning is complete, tightening all 3/16" hex adjustment screws (C). Continue until clamp is tight and does not move.

Note: When tightening use a socket or wrench to hold the nut during final torquing on the bar. Do not exceed 22 Foot-Pounds.

STEP 5

Check mirror position and untighten, adjust & re-tighten if needed (D & E). Repeat for the other mirror.

STEP 6

To swing mirror out the way for safety or transport, loosen thumb wheel under mirror assembly enough to allow the mirror to back ward toward driver. Tighten the thumb screw to secure the position (E). Hand tight only, do not over tighten.

STEP 7

To return mirror to its original location, loosen thumb wheel under mirror assembly enough to allow the mirror to return to the center (E). As you tighten the thumb screw, you will feel 'detent' that the thumb screw uses to secure the position. Hand tight only, do not over tighten.

Clamp Removal:

In-order to remove the tube clamp from location, the clamp must first be tightened to allow base removal. Once tightened, loosen the clamp and carefully squeeze clamp to remove from the location. **Note:** Use protective film to help avoid damage to the paint. *Various ring clamp sizes available (sold separately w/ hardware).

