

BASE-CLAMPS HOW IT WORKS:

STEP 1

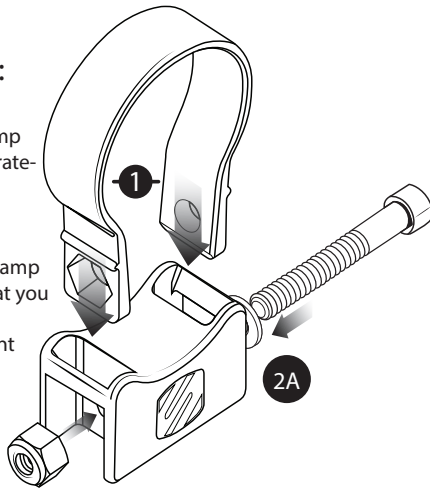
Select the right size clamp
(Various sizes sold separately)

STEP 2

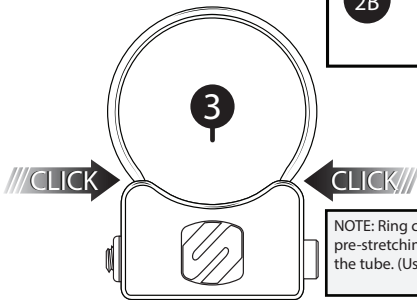
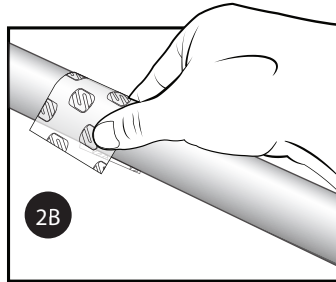
Select the base & ring clamp
that coincides with what you
need to mount 2A. Use
protective film to prevent
any paint
damage 2B.

STEP 3

Lock it in place



The self locking clamp design
allows for easy one person
installation. Simply slip the clamp
over tube and lock in your base,
secure using the stainless
mounting hardware and you are
ready to Mount Up and Move Out.



NOTE: Ring clamps 2" & over in size may require
pre-stretching to help spread the clamp over
the tube. (Use Protective film when mounting)

**For complete warranty details, please visit us at
www.scosche.com or call (800) 363-4490**