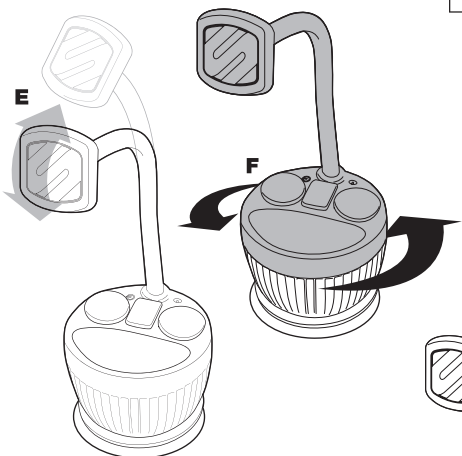
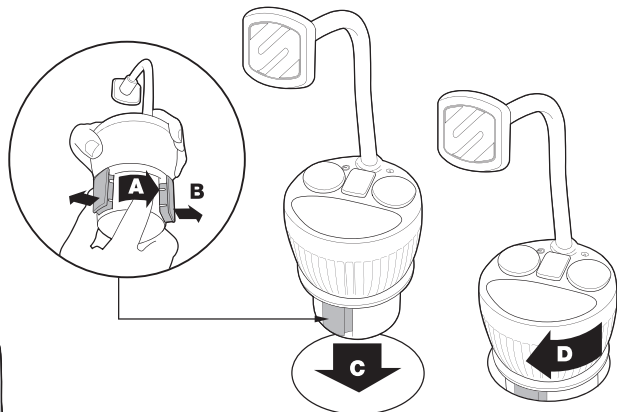


## MOUNT INSTALLATION

**1**

Rotate the bottom of the mounting base (A) to expand the base to fit the cup holder (B). Place the mounting base in the cup holder (C), and gently rotate the power hub as needed to secure the base in the cup holder (D).



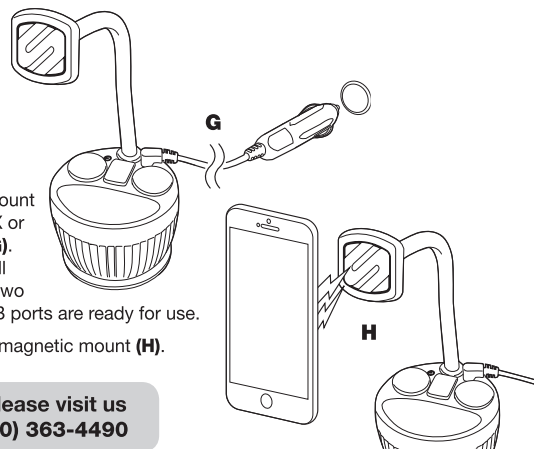
**2**

Adjust the angle of the magnetic mount by bending the flexible neck (E). Swivel the top portion of the power hub (shown in gray) to rotate the neck 360° (F).

**3**

Use the included power adapter to connect the mount to your vehicle's 12V AUX or cigarette lighter socket (G). The LED on the mount will illuminate, indicating the two 12V sockets and two USB ports are ready for use.

Place your device on the magnetic mount (H).



For complete warranty details, please visit us at [www.scosche.com](http://www.scosche.com) or call (800) 363-4490

### For All Australian Sales

This document details the terms and conditions of the warranty provided with this product. Please disregard any other representations contained on this product's packaging or provided with this product which constitute or appear to constitute a warranty.

This warranty is offered by Scosche Industries, 1550 Pacific Ave, Oxnard, CA 93033 United States. We can be called on (805) 486-4450 or emailed at [sales@scosche.com](mailto:sales@scosche.com)

Subject to the exclusions and limitations set out below, we warrant to you that if you purchase a product directly from us, or from any of our authorized resellers, that it will not contain defects which are a result of faulty manufacturer workmanship or materials. This warranty subsists for 1 year from the date of purchase.

Subject to any rights you have under the Australian Consumer Law, we will not be liable for defects which are a result of damage or loss caused by factors beyond our control, any product which has not been maintained according to any care or maintenance instructions provided with the product, any alterations to a product which are not performed by us, or damage or defects caused to the product due to unusual or non-recommended use. We will not be liable for any special, indirect, consequential or economic loss or damage or loss of profits whatsoever suffered by you or any other person resulting from any act or omission by us.

Our total liability in respect of this Warranty against Defects is limited to the replacement of the goods.

Any claim made under this warranty must be made by contacting Scosche Industries. Scosche will then put you in touch with the closest company to you that will cover warranties. All Returns of defective product will be sent at your expense, to be exchanged for a replacement.

This Warranty against Defects is provided in addition to other rights and remedies that you may have at law. Our goods come with guarantees that cannot be excluded under the Australian Consumer Law. You are entitled to a replacement or refund for a major failure and for compensation for any reasonably foreseeable loss or damage. You are also entitled to have the goods repaired or replaced if the goods fail to be of acceptable quality and the failure does not amount to major failure.

**SCOSCHE**

**MAGPCUP**

## MAGICMOUNT™ POWER HUB

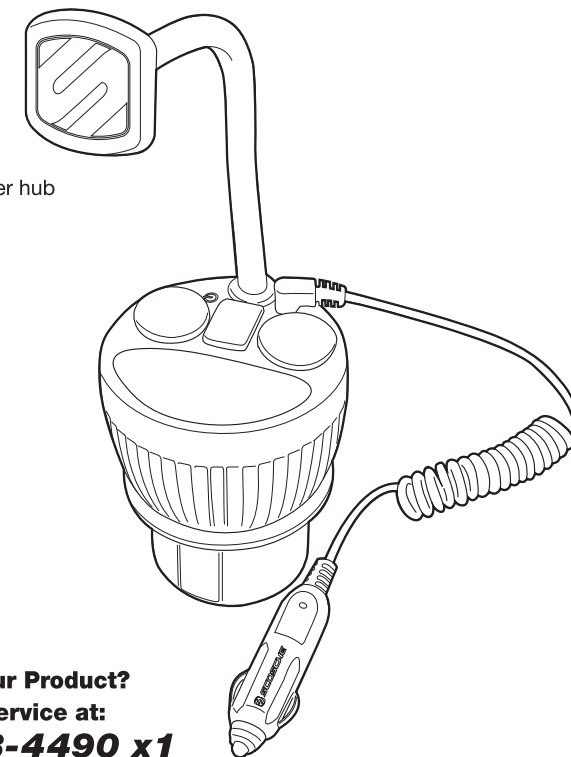
### MAGNETIC CUP-HOLDER MOUNT & POWER HUB FOR MOBILE DEVICES

#### PARTS INCLUDED

- (1) Magnetic mount & cup holder power hub
- (1) Power adapter
- (1) Large metal plate
- (1) Small metal plate
- (1) Protective film sticker
- (1) Cleaning wipe

#### SPECIFICATIONS

Input: 12-24V  $\equiv$  5A  
 USB A Output: 17W combined  
 USB 1: 5V  $\equiv$  2.4A  
 USB 2: 5V  $\equiv$  1.0A  
 12V CLA outputs: 36W Combined  
 Out 1 12V  $\equiv$  1.5A  
 Out 2 12V  $\equiv$  1.5A  
 CAN ICES-3(B)/NMB-3(B)



#### Questions?

Need help with your Product?

Call Customer Service at:

**(800) 363-4490 x1**



#### READ INSTRUCTIONS COMPLETELY BEFORE INSTALLING THIS MOUNT KIT.

**WARNING:** Do not use the magnetic mount with any hard-drive based devices such as: iPod classic, iPod video and Zune MP3 players. Use caution whenever removing or handling plastic parts of any vehicle. Unnecessary force or pressure can cause pieces to crack or break. Please use a plastic card to remove the metal plates. Remove adhesive residue with a non-abrasive cleaner.

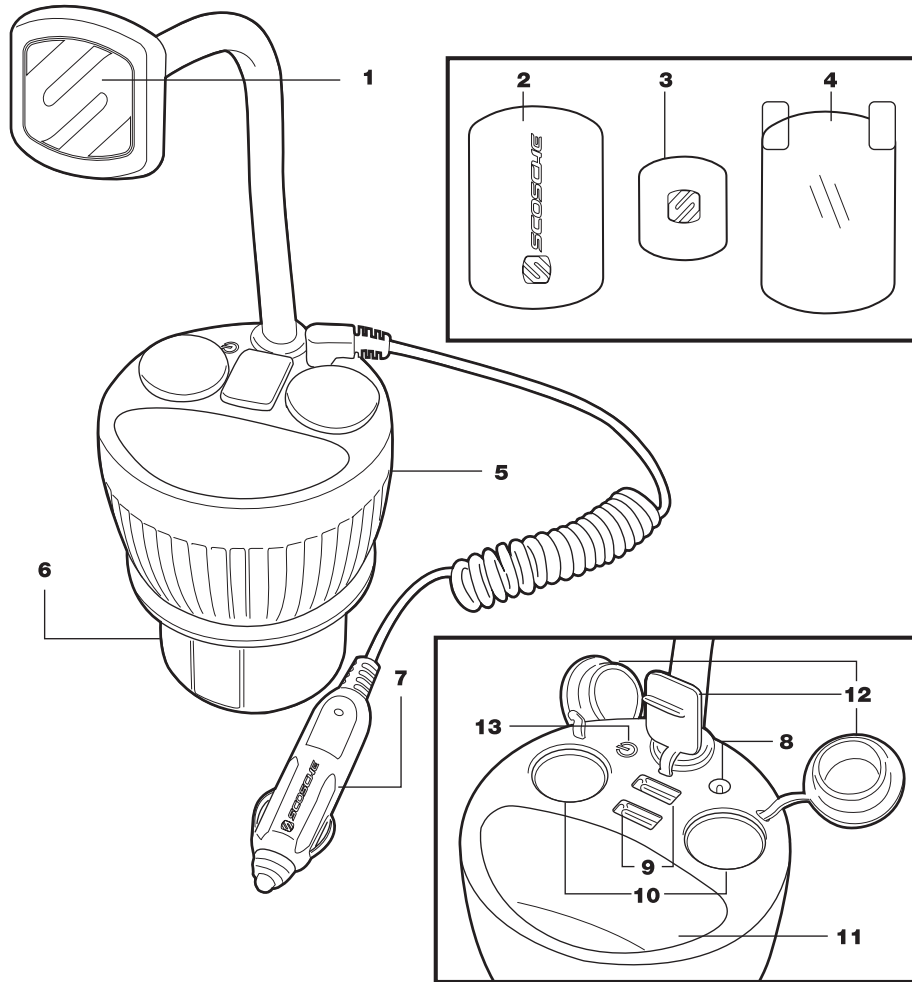
**AIRBAG WARNING:** Do not place this mount, or any other object, on or near the airbag. In the event of deployment, objects placed on or near airbag could cause serious injury.

**Caution:** This magnetic mount is not a toy. The small magnets are harmful if swallowed. Keep away from children.

Register your product online at

[www.scosche.com/register](http://www.scosche.com/register)

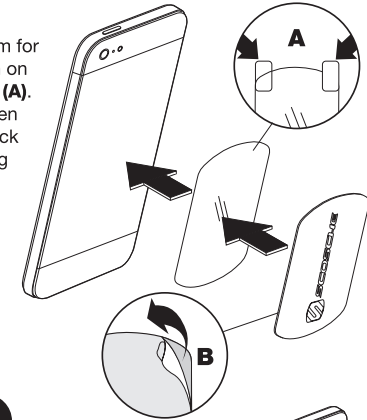
## OVERVIEW



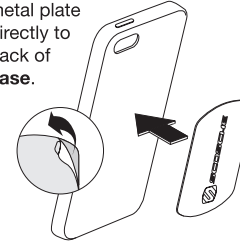
- |                                  |                            |
|----------------------------------|----------------------------|
| 1. MAGNETIC MOUNT WITH FLEX NECK | 8. POWER ADAPTER PORT      |
| 2. LARGE METAL PLATE             | 9. DUAL USB CHARGE PORTS   |
| 3. SMALL METAL PLATE             | 10. DUAL 12V POWER SOCKETS |
| 4. PROTECTIVE FILM STICKER       | 11. STORAGE COMPARTMENT    |
| 5. POWER HUB                     | 12. PORT COVERS            |
| 6. CUP HOLDER BASE               | 13. LED POWER INDICATOR    |
| 7. POWER ADAPTER                 |                            |

## MAGICPLATE™ INSTALLATION

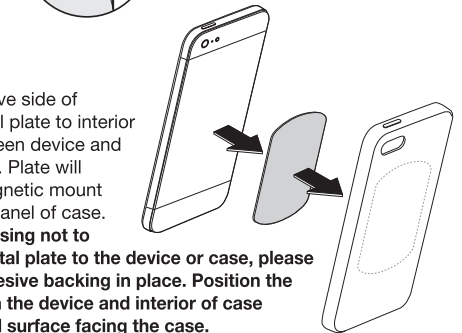
- 1 OPTION 1**  
Remove the backing from the protective film for the selected plate (large or small) as shown on the removal tabs, and place on the **device (A)**.  
**Note:** The protective film *must* be used when applying **MAGICPLATE™** directly to the back of your device. Only use the film if mounting the plate directly to the device.  
Remove the adhesive backing from the metal plate and attach the plate to the protective film on the device (**B**).



- 2 OPTION 2**  
Attach adhesive side of selected metal plate directly to back of **case**.



- 3 OPTION 3**  
Attach adhesive side of selected metal plate to interior of case, between device and inside of case. Plate will adhere to magnetic mount through rear panel of case.  
**NOTE:** If choosing not to attach the metal plate to the device or case, please leave the adhesive backing in place. Position the plate between the device and interior of case with the metal surface facing the case.

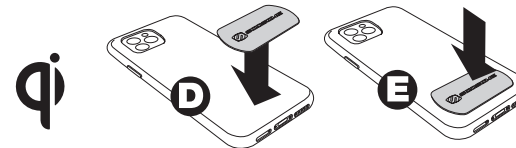
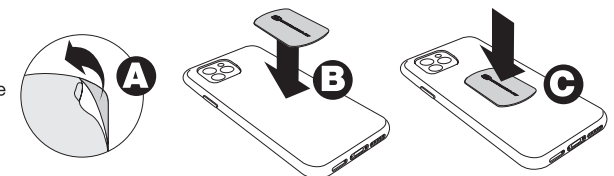


### iPhone® 11 Pro/11 Pro Max/Pixel 4/Pixel 4XL Users

Due to the nonstick properties of the back of the iPhone 11 Pro/11 Pro Max/Pixel 4/Pixel 4XL, **MAGICPLATE™** must be used on, or inside a protective phone case.

### MAGICPLATE™ APPLICATION

Remove backing from **MAGICPLATE™** (**A**), and position plate on case (**B**). Press plate firmly to affix (**C**).



### For Qi Wireless Charging

To prevent signal interference, position **MAGICPLATE™** toward the bottom of the case (**D**). Press plate firmly to affix (**E**).

## REMOVING MAGICPLATE™

Use a thin plastic card to carefully lift the metal plate from the mounting surface. Slowly lift up and remove the metal plate. **Do not use any heat or liquids to remove the plate, due to risk of damaging your phone or dash.** Contact Scosche Customer Service for any additional assistance at 800.363.4490 Ext. 1 or [customerservice@scosche.com](mailto:customerservice@scosche.com).