

SWAGTRON®

USER MANUAL

Ver. 2.0 5/29/19

In order to continue serving our customers and providing the best products, our product information including our user manuals may receive updates from time to time. Please check our website for the latest user manuals and product materials.



K8 TITAN
Kick Scooter

PROTECT YOUR DOME

HELMETS SAVE LIVES

Helmets can reduce 85% of critical head injuries.

Elbow pads can reduce 82% of elbow injuries.

Knee pads can reduce 32% of knee injuries.

From <https://www.ncbi.nlm.nih.gov/pubmed/2716781>

Always wear proper protective gear when riding. This includes knee and elbow pads and an age-appropriate helmet.

- Helmets should fit comfortably and snugly, covering the forehead but not hindering your field of vision.
- The helmet should have a chin strap and buckle to keep the helmet in place.
- The helmet should be made out of a hard, protective outer shell and an impact-absorbing inner layer at least 1/2-inch thick.
- The helmet should be approved by the U.S. Consumer Product Safety Commission (CPSC), the Snell Memorial Foundation, or the American Society for Testing and Materials (ASTM).



Thank you for your purchase of the K8 TITAN Kick Scooter.

Before operating this scooter, please read all instructions. This manual will walk you through the functions, usage, and proper care of your SWAGTRON® K8 TITAN Kick Scooter. If you have any questions or cannot find the information you need in the manual, please contact your place of purchase or our customer service at 1-844-299-0625.

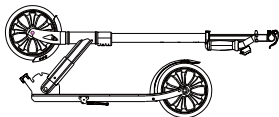
Happy Riding!

-The SWAGTRON® Team

Table of Contents

Box Contents.....	6
Product Overview.....	7
Folding and Unfolding the Scooter.....	8
Adding the Handles.....	9
Adjusting the Stem.....	9
Using the Scooter.....	10
Practicing Guidelines.....	11
Safety Information.....	12
Warnings.....	13
Specifications.....	17

Box Contents

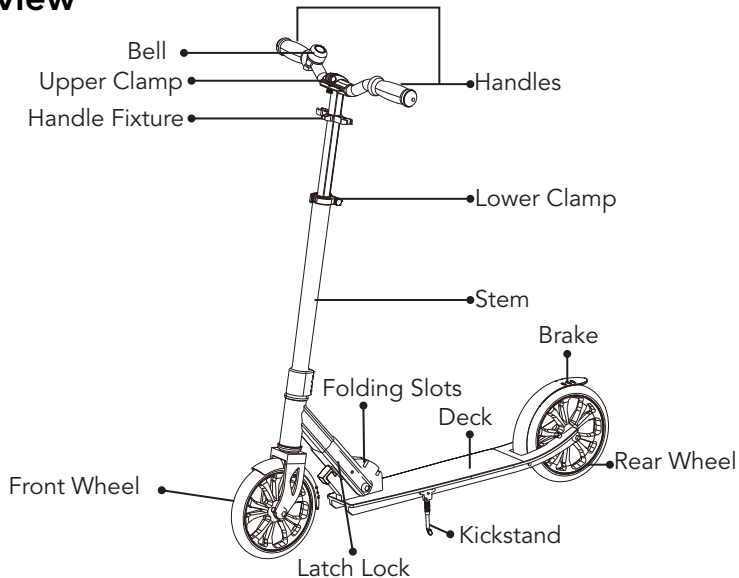


K8 TITAN Kick Scooter x 1



User Manual x 1

Product Overview



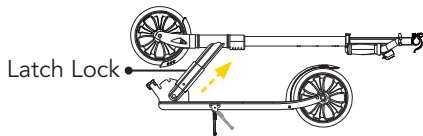
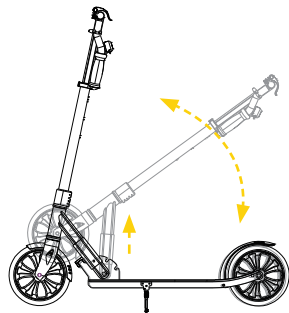
Folding and Unfolding the Scooter

To Fold

1. Hold the scooter's stem and use your other hand to pull the latch lock up towards the stem.
2. Continue to hold the latch lock up and fold the stem down towards the deck.
3. Release the latch lock and make sure it locks into the lowest notch. Check that all parts are secure before lifting the scooter.

To Unfold

1. Hold the scooter's stem and use your other hand to pull the latch lock up towards the stem.
2. Continue to hold the latch lock up and lift the stem up away from the deck.
3. Release the latch lock and make sure it locks into the last notch. Check that all parts are secure before using the scooter.



Adding the Handles

Open upper clamp of stem, and insert handles into the stem and make sure the metal pegs pop out to secure the handles properly, then close the clamp to secure handles bar.

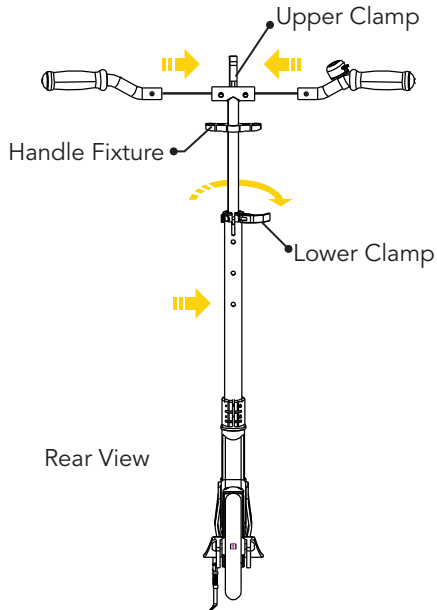
Notes:

- Adjust the screw under the upper clamp to tighten the clamp in place if need.
- When the handles are detached, they can be stored in the handle fixture.

Adjusting the Stem

Open the lower clamp, press the metal peg in, and raise or lower the stem to the desired height level. The peg should pop into place. Close the lower clamp to secure the stem.

Note: In order for the scooter to be safe to ride (1) the metal peg must pop into one of the designated holes and (2) the lower clamp must be closed.



Using the Scooter

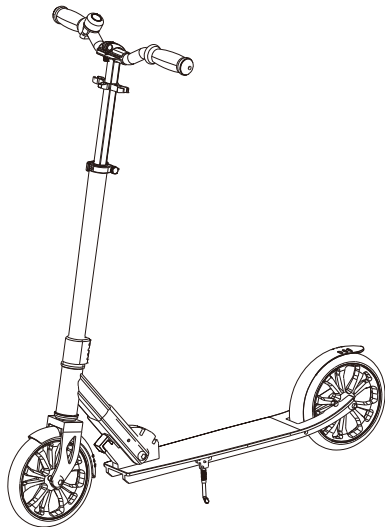


- Always wear an ASTM F1492 approved helmet and protective gear to worn by ALL riders at ALL times regardless of age.
- Do not allow user over 220 lbs (100 kg) to ride the scooter.
- Supervise children while the scooter is being used.
- Inform your child of instructions and safety guidelines before allowing them to ride.

1. Hold both handles.
2. Put one foot on the deck towards the front.
3. Use your other foot to push off the ground and move the scooter forward.
4. Put both feet on the scooter as desired.
5. To stop, step on the brake with the nearest foot.

Practicing Guidelines

- Wear casual clothing and flat shoes to maintain your flexibility and stability.
- Practice until you can easily get on, move forward, turn, stop, and dismount with ease.
- Make sure the pavement is even. Do not ride on a slope until you are experienced.
- The scooter is designed for relatively smooth, flat terrain. When riding on uneven terrain, slow down.
- Avoid riding in places with pedestrians or obstacles.



Safety Information

The SWAGTRON® K8 TITAN Kick Scooter is a personal scooter designed for children ages 14 and up. By operating the scooter, the user acknowledges and accepts responsibility of all risks associated with the use of the SWAGTRON® K8 TITAN Kick Scooter which may include, but are not limited to, muscle injuries, broken bones, lacerations, serious injury, and possible death. To better ensure safe riding, always use appropriate protective gear and follow all instructions in this manual.

- The K8 is a self-propelled scooter designed for a single rider only. It is not intended or equipped for road use, off-road use, or use with any motorized device.
- Appropriate protective gear should include an age-appropriate ASTM F1492 approved helmet and other gear such as knee and elbow pads.
- Check all screws and fittings are secure before giving the scooter to a child.
- Add oil for lubrication periodically and replace bearings when worn. Regular maintenance enhances the product safety.
- Use on flat, clean, and dry surfaces. Avoid pedestrians and unstable surfaces.
- Use the scooter with caution as riding requires skill and practice so as to avoid falls or collisions.
- Use the scooter at your own risk. SWAGTRON® shall not be held responsible for misuse. Do not perform stunts or dangerous maneuvers with the scooter.

Warnings



- Use with adult supervision.
- The braking mechanism may get hot from continuous use, do not touch the brake after it has been used.
- Keep fingers away from moving parts to avoid pinching and entrapment.
- Never allow more than one person at a time on the scooter.
- Never ride at night, obey all outdoor regulations, and give right of way to pedestrians.
- Be careful when riding on wet pavement as braking and wheel traction may be reduced.
- Do not modify the scooter or change the scooter in any way not outlined in these instructions.
- Screws and fixtures may loosen over time. Check and tighten periodically.

90-Day Limited Hardware Warranty

Your SWAGTRON® K8 TITAN Kick Scooter ("Product") includes a 90-Day Limited Hardware Warranty ("Warranty"). The Warranty covers product defects in materials and workmanship under normal use. This Warranty is limited to residents of the United States (Excluding Hawaii, Alaska and US Territories) and Canada only and is available only to original purchasers. This Warranty gives you specific legal rights and you may also have other rights which vary from state to state.

This Warranty starts on the date of your purchase and lasts for ninety (90) days ("Warranty Period"). The Warranty Period is not extended if the Product is repaired or replaced. We may change the availability of this limited warranty at our discretion, but any changes will not be retroactive.

Warranty services are provided by SWAGTRON®. If a hardware defect arises and a valid claim is received within the Warranty Period, at its option and to the extent permitted by law, SWAGTRON® will: (1) repair the hardware defect by using new or refurbished parts that are equivalent to new in performance and reliability; or (2) exchange the Product with a product that is new or refurbished which is substantially equivalent to the original product. This Warranty is for one replacement only of like-items and does not cover items out of production if the product is no longer made or stocked. This Warranty is not assignable or transferable.

The original purchaser may call SWAGTRON's toll-free number at 1-844-299-0625 for service request.

When a product or part is exchanged, any replacement item becomes your property and the replaced item becomes SWAGTRON®'s property. This warranty only covers technical hardware defectiveness during the warranty period and under normal use conditions. SWAGTRON® does not warrant uninterrupted or error-free operation of this Product.

Return shipping shall only be provided for Products dead on arrival ("DOA") within 30 days of purchase only. All other returns/repairs shall require payment of shipping cost at discounted rate to be determined as follows:

SWAGTRON® E-Scooters, and Hoverboards shall be Twenty Dollars (\$20)**

SWAGTRON® K-Line shall be Eight Dollars (\$8)**

**shipping prices are subject to change without further notice.

This Warranty does not cover any damage due to: (a) transportation; (b) storage; (c) improper use; (d) failure to follow the product instructions or to perform any preventive maintenance; (e) modifications; (f) unauthorized repair; (g) normal wear and tear(including but not limited to wearables and other consumable parts such as tires); or (h) external causes such as accidents, abuse, or other actions or events beyond our reasonable control.

Important: Do not disassemble the Product. Disassembling the Product will void this Warranty. Only SWAGTRON® or a party expressly authorized by SWAGTRON® should perform service on this Product.

DISCLAIMER OF WARRANTY: THE REMEDIES DESCRIBED ABOVE ARE YOUR SOLE AND EXCLUSIVE REMEDIES AND OUR ENTIRE LIABILITY FOR ANY BREACH OF THIS LIMITED WARRANTY. OUR LIABILITY SHALL UNDER NO CIRCUMSTANCES EXCEED THE ACTUAL AMOUNT PAID BY YOU FOR THE DEFECTIVE PRODUCT, NOR SHALL WE UNDER ANY CIRCUMSTANCES BE LIABLE FOR ANY CONSEQUENTIAL, INCIDENTAL, SPECIAL OR PUNITIVE DAMAGES OR LOSSES, WHETHER DIRECT OR INDIRECT.

SOME STATES DO NOT ALLOW THE EXCLUSION OR LIMITATION OF INCIDENTAL OR CONSEQUENTIAL DAMAGES, SO THE ABOVE LIMITATION OR EXCLUSION MAY NOT APPLY TO YOU.

THE DURATION AND REMEDIES OF ALL IMPLIED WARRANTIES, INCLUDING WITHOUT LIMITATION THE WARRANTIES OF MERCHANTABILITY AND FITNESS FOR A PARTICULAR PURPOSE ARE LIMITED TO THE DURATION OF THIS EXPRESS LIMITED WARRANTY.

Specifications

Item	Parameters
Material(s)	Aluminum (Stem), PU (Wheels), EVA (Handle Grips)
Dimensions (Unfolded)	36.2x17.3x41 in. / 92x44x104cm
Dimensions (Folded)	31.5x4.4x 14.6 in. / 80x11.2x37cm
Handlebar Height(s)	35.4in, 37.4in, 39.4in / 90cm, 95cm, 100cm
Product Weight	9.7lbs / 4.4kg
Maximum Load	220lbs / 100kg
Ages	14+
Certifications	ASTM F2264

SWAGTRON[®]

COPYRIGHT © 2018 SWAGTRON. ALL RIGHTS RESERVED.