

greenworks

proTM

PW60L00

ULTRAPOWERTM
60V

EN

PRESSURE WASHER

OPERATOR MANUAL

ES

LIMPIADOR A PRESIÓN

MANUAL DEL OPERADOR



PWC301

www.greenworkstools.com

1	Description.....	4	8.6	Remove the battery pack.....	9
1.1	Purpose.....	4	9	Operation.....	9
1.2	Overview.....	4	9.1	Use the spray gun.....	9
2	Introduction.....	4	9.2	Install the nozzle.....	9
3	General power tool safety		10	Install the detergent tank.....	10
	warnings.....	4	11	Start the machine.....	10
4	Symbols on the product.....	6	12	Stop the machine.....	10
5	Risk levels.....	6	13	Maintenance.....	11
6	Environmentally safe battery		13.1	Nozzle maintenance.....	11
	disposal.....	6	14	Transportation and storage.....	11
7	Proposition 65.....	7	14.1	Move the machine.....	11
8	Installation.....	7	14.2	Store the machine.....	11
8.1	Unpack the machine.....	7	15	Troubleshooting.....	11
8.2	Install the spray wand.....	7	16	Technical data.....	12
8.3	Install the high pressure hose.....	8	17	Limited warranty.....	13
8.4	Connect the water supply to the machine.....	8	18	Exploded view.....	14
8.5	Install the battery pack.....	9			

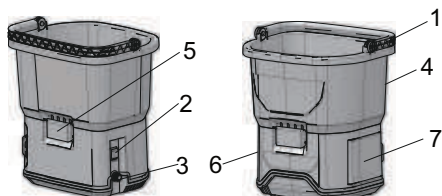
1 DESCRIPTION

1.1 PURPOSE

The machine is used to clean vehicles, boats, buildings, porches, decks, patios, and driveways.

For domestic use only, not for professional use, and for operation at temperature above 32°F (0°C).

1.2 OVERVIEW



- | | |
|-----------------------|---------------------------|
| 1 Handle | 12 Adapter |
| 2 Power switch | 13 Inlet coupler |
| 3 Water outlet | 14 Trigger safety button |
| 4 Bucket | 15 Garden hose |
| 5 Bucket buckle | 16 Water Inlet |
| 6 Base | 17 Water Inlet connector |
| 7 Battery door | 18 Battery release button |
| 8 Spray wand | 19 Nozzle |
| 9 Spray gun | 20 Cleaning tool |
| 10 Gun trigger | 21 Detergent tank |
| 11 High pressure hose | |

2 INTRODUCTION

Your product has been engineered and manufactured to high standards for dependability, ease of operation, and operator safety. When properly cared for, it will give you years of rugged, trouble-free performance.

3 GENERAL POWER TOOL SAFETY WARNINGS

▲ WARNING

Read all safety warnings and all instructions. Failure to follow the warnings and instructions may result in electric shock, fire and/or serious injury.

Save all warnings and instructions for future reference.

The term “power tool” in the warnings refers to your battery-operated (cordless) power tool.

- Learn the machine's applications and limitations as well as the specified potential hazards related to this tool by studying this manual.
- Follow the maintenance instructions specified in this manual.

- Never operate the machine with any guard or cover removed or damaged.
- Do not operate the machine under the influence of drugs, alcohol, or any medication.
- Do not wear loose clothing, gloves, neckties, or jewellery. They can get caught and draw you into moving parts.
- Rubber gloves and non-skid footwear are recommended when working outdoors. Also wear protective hair covering to contain long hair. Wear footwear that will protect your feet and improve your grip on slippery surfaces.
- Always wear safety glasses with side shields.
- Don't overreach or stand on unstable support. Keep proper footing and balance at all times.
- Don't overtill the unit.

▲ WARNING

Risk of explosion – Do not spray flammable liquids.

▲ WARNING

Water that has passed through backflow preventers is considered to be nonpotable.

▲ WARNING

Do not use the appliance if a battery or important parts are damaged.

▲ WARNING

For battery operated machines, always turn off switch and remove the battery from the appliance when leaving the machine unattended.

▲ WARNING

High pressure jets can be dangerous if subject to misuse. The jet must not be directed at persons, animals, electrical devices, or the machine itself.

▲ WARNING

This Appliance has been designed for use with the cleaning agent supplied or recommended by the manufacturer. The use of other cleaning agents or chemicals may adversely affect the safety of the appliance.

▲ WARNING

Don't use the appliance within range of persons unless they wear protective clothing.

- Do not direct the jet against yourself or others in order to clean clothes or footwear.
- Remove the battery pack before carrying out user maintenance.
- To ensure appliance safety, use only original spare parts from the manufacturer or approved by the manufacturer.

▲ WARNING

To reduce the risk of electrocution, keep all connections dry and off the ground.

- To reduce the risk of injury, the machine shall not be used by children or untrained personnel. Keep children and bystanders away. All bystanders should wear safety glasses and be kept a safe distance from work area.

This appliance is not intended for use by persons (including children) with reduced physical, sensory or mental capabilities, or lack of experience and knowledge, unless they have been given supervision or instruction concerning use of the appliance by a person responsible for their safety. Children should be supervised to ensure that they do not play with the appliance.

- Use correct product. Don't force product or attachment to do a job it was not designed for. Don't use it for a purpose not intended.
- Use only recommended accessories. The use of improper accessories may cause risk of injury.
- Never leave product running unattended. Turn power off. Don't leave product until it comes to a complete stop.
- Keep the motor free of grass, leaves, or grease to reduce the chance of a fire hazard.
- Keep product dry, clean, and free from oil and grease. Always use a clean cloth when cleaning. Never use brake fluids, gasoline, petroleum-based products, or any solvents to clean product.
- Check the work area before each use. Remove all objects such as rocks, broken glass, nails, wire, or string which can be thrown or become entangled in the machine.
- Do not use product if switch does not turn it off. Have defective switches replaced by an authorized service center.
- Avoid dangerous environments. Don't expose to rain. Keep work area well lit.
- Before starting any cleaning operation, close doors and windows. Clear the area to be cleaned of debris, toys, outdoor furniture, or other objects that could create a hazard.
- Keep the motor away from flammable and other hazardous materials.
- Check bolts and nuts for looseness before each use. A loose bolt or nut may cause serious motor problems.
- Before storing, allow the motor to cool.
- When servicing use only identical replacement parts. Use of any other parts may create a hazard or cause product damage.
- ONLY use cold water.
- Make sure minimum clearance of 3 feet (1 meter) is maintained from combustible materials.
- Hold the gun and wand securely with both hands.
- Expect the gun to move when the trigger is pulled due to reaction forces. Failure to do so could cause loss of control and injury to yourself and others.

- Prevent unintentional starting. Ensure the switch is in the off-position before connecting to battery pack, picking up or carrying the appliance. Carrying the appliance with your finger on the switch or energizing appliance that have the switch on invites accidents.
- Disconnect the battery pack from the appliance before making any adjustments, changing accessories, or storing appliance. Such preventive safety measures reduce the risk of starting the appliance accidentally.
- For use only with CH60DP01/CH60R00/CAC801 and other CAC series charger
- For use only with LB6025/LB605/LB604/LB602 and other BAC series battery.
- When battery pack is not in use, keep it away from other metal objects, like paper clips, coins, keys, nails, screws or other small metal objects, that can make a connection from one terminal to another. Shorting the battery terminals together may cause burns or a fire.
- Do not use a battery pack or appliance that is damaged or modified. Damaged or modified batteries may exhibit unpredictable behavior resulting in fire, explosion or risk of injury.
- Do not expose a battery pack or appliance to fire or excessive temperature. Exposure to fire or temperature above 265°F (130°C) may cause explosion.
- Follow all charging instructions and do not charge the battery pack or appliance outside of the temperature range specified in the instructions. Charging improperly or at temperatures outside of the specified range may damage the battery and increase the risk of fire.
- Have servicing performed by a qualified repair person using only identical replacement parts. This will ensure that the safety of the product is maintained.
- Do not modify or attempt to repair the appliance or the battery pack (as applicable) except as indicated in the instructions for use and care.
- Recharge only with the charger specified by the manufacturer. A charger that is suitable for one type of battery pack may create a risk of fire when used with another battery pack.
- Use appliances only with specially designated battery packs. Use of any other battery packs may create a risk of injury and fire
- The recommended ambient temperature range:

Item	Temperature
Appliance storage temperature range	-4°F (-20°C) - 158°F(70°C)
Appliance operation temperature range	32°F (0°C) - 104°F(40°C)
Battery charging temperature range	39°F (4°C) - 113°F(40°C)
Charger operation temperature range	39°F (4°C) - 113°F(40°C)

Battery storage temperature range	1 year: 32°F (0°C) - 73°F(23°C)
	3 months: 32°F (0°C) -113°F(45°C)
	1 months: 32°F (0°C) -140°F(60°C)
Battery discharging temperature range	6.8°F (-14°C) - 113°F(45°C)





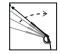


- Save these instructions. Refer to them frequently and use them to instruct other users. If you lend someone this product, lend them these instructions also.





▲ WARNING

High pressure hoses, fittings and couplings are important for the safety of the appliance. Use only hoses, fittings and couplings recommended by the manufacturer.

4 SYMBOLS ON THE PRODUCT




Some of the following symbols may be used on this tool. Please study them and learn their meaning. Proper interpretation of these symbols will allow you to operate the tool better and safer.

Symbol	Explanation
	To reduce the risk of injury, user must read and understand operator's manual before using this product.
	Do not expose the product to rain or moist conditions.
	Wear eye protection.
	To reduce the risk of injection or injury, never direct a water stream towards people or pets or place any body part in the stream. Leaking hoses and fittings are also capable of causing injection injury. Do not hold hoses or fittings.
	To reduce the risk of injury from kickback, hold the spray lance securely with both hands when the machine is on.
	Failure to use in dry conditions and to observe safe practices can result in electric shock.
	Fuel and its vapours are explosive and can cause severe burns or death.

Symbol	Explanation
	Warning! Never point the gun to human, animals, the machine body, power supply or any electric appliances.
	Appliance not suitable for connection to the drinking water mains without backflow preventer.
	Only use cleaning deck on flat, horizontal surfaces. Never lift cleaning deck from the cleaning surface while operating the pressure washer.
	Keep hands and feet away from the cleaning deck while the pressure washer is running.

5 RISK LEVELS

The following signal words and meanings are intended to explain the levels of risk associated with this product.

SYMBOL	SIGNAL	MEANING
	DANGER	Indicates an imminently hazardous situation, which, if not avoided, will result in death or serious injury.
	WARNING	Indicates a potentially hazardous situation, which, if not avoided, could result in death or serious injury.
	CAUTION	Indicates a potentially hazardous situation, which, if not avoided, may result in minor or moderate injury.
	CAUTION	(Without Safety Alert Symbol) Indicates a situation that may result in property damage.

6 ENVIRONMENTALLY SAFE BATTERY DISPOSAL



The toxic and corrosive materials below are in the batteries used in this machine: **Lithium-Ion, a toxic material.**

▲ WARNING

Discard all toxic materials in a specified manner to prevent contamination of the environment. Before discarding damaged or worn out Li-ion battery, contact your local waste disposal agency, or the local Environmental Protection Agency for information and specific instructions. Take the batteries to a local recycling and/or disposal center, certified for lithium-ion disposal.

▲ WARNING

If the battery pack cracks or breaks, with or without leaks, do not recharge it and do not use. Discard it and replace with a new battery pack. **DO NOT TRY TO REPAIR IT!** To prevent injury and risk of fire, explosion, or electric shock, and to avoid damage to the environment:

- Cover the terminals of the battery with heavy-duty adhesive tape.
- **DO NOT** try to remove or destroy any of the battery pack components.
- **DO NOT** try to open the battery pack.
- If a leak develops, the released electrolytes are corrosive and toxic. **DO NOT** get the solution in the eyes or on skin, and do not swallow it.
- **DO NOT** put these batteries in your regular household trash.
- **DO NOT** incinerate.
- **DO NOT** put them where they will become part of any waste landfill or municipal solid waste stream.
- Take them to a certified recycling or disposal center.

7 PROPOSITION 65**▲ WARNING**

This product contains a chemical known to the state of California to cause cancer, birth defects or other reproductive harm. Some dust created by power sanding, sawing, grinding, drilling, and other construction activities contains chemicals known to cause cancer, birth defects or other reproductive harm. Some examples of these chemicals are:

- Lead from lead-based paints;
- Crystalline silica from bricks and cement and other masonry products;
- Arsenic and chromium from chemically treated lumber.

Your risk of exposure to these chemicals varies depending on how often you do this type of work. To reduce your exposure to these chemicals, work in a well-ventilated area, and work with approved safety equipment, such as dust masks that are specially designed to filter out microscopic particles.

Save these instructions.

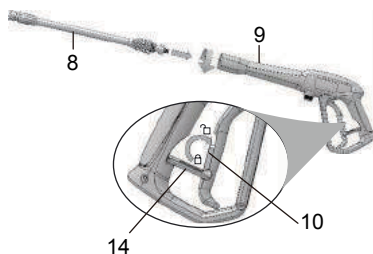
8 INSTALLATION**8.1 UNPACK THE MACHINE****▲ WARNING**

Make sure that you correctly assemble the machine before use.

▲ WARNING

- If parts of the machine are damaged, do not use the machine.
- If you do not have all the parts, do not operate the machine.
- If parts are damaged or missing, contact the service center.

1. Open the package.
2. Read the documentation provided in the box.
3. Remove all the unassembled parts from the box.
4. Remove the machine from the box.
5. Discard the box and packing material in compliance with local regulations.

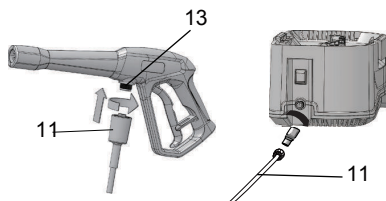
8.2 INSTALL THE SPRAY WAND

1. Push the end of the spray wand (8) into the gun handle handle (9)..
2. Turn the spray wand (8) clockwise until the tabs lock into position.
3. Ensure the trigger lock (14) out is in the unlocked position.

▲ WARNING

Make sure that the connection has no leakage.

8.3 INSTALL THE HIGH PRESSURE HOSE



1. Push one end of the high pressure hose (11) into the inlet coupler (13).
2. Before installing the included high pressure hose (11), thread the priming valve onto the pressure washer outlet and rotate clockwise until tightened.
3. Once installed, thread one end of the included high pressure hose and tighten onto the valve.

▲ WARNING

- Small amounts of water exiting the valve as pressure washer priming valve is normal. This is needed to bleed the system from air.

8.4 CONNECT THE WATER SUPPLY TO THE MACHINE

The machine works only when there is water in the bucket or the base is connected with a water supply. When there is no water connected, push the power switch to stop the machine.

8.4.1 CONNECT THE WATER SUPPLY TO THE MACHINE

▲ WARNING

- The water supply must come from the water main
- Do not use hot water
- Do not use water from ponds or lakes

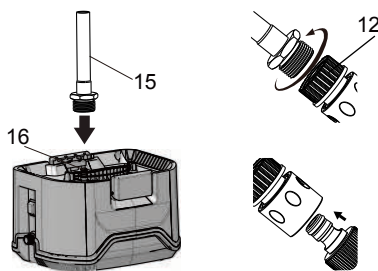
▲ WARNING

Follow local regulations when you connect the garden hose to the water supply. Direct connection through a receiver tank or backflow preventer is usually permitted.

▲ CAUTION

Inspect the filter in the water inlet connector before you connect the garden hose

- If the filter is damaged, do not use the machine until the filter is replaced.
- If the filter is dirty, clean the filter.



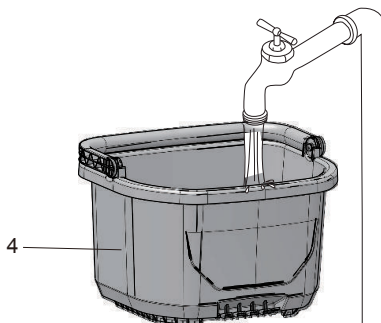
1. Uncoil the garden hose (15) (not included).
2. Thread adapter (12) to the male garden hose (15).
3. Pull back the adaptor collar and attach to the male connector (16) on the machine.
4. Turn the water supply off.
5. Let the water flow through the garden hose (15) for 30 seconds.

▲ CAUTION

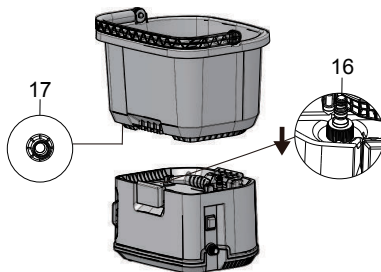
There must be a minimum of 10 feet of free hose between the water inlet and the water supply.

8.4.2 INSTALL THE BUCKET

1. Add water to the bucket (4).



2. Align the water inlet connector (17) with the water inlet (16).



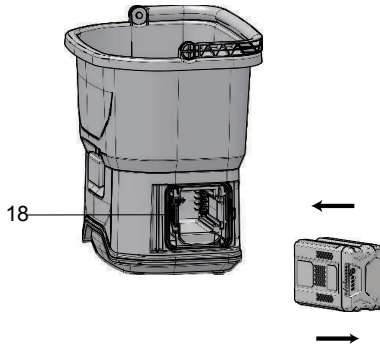
3. Install the bucket (4) onto the base.

- Lift and push down the bucket buckles to fix the bucket (4) to the base.

▲ WARNING

Pull the bucket buckles to unlock the bucket.

8.5 INSTALL THE BATTERY PACK



▲ WARNING

- If the battery pack or charger is damaged, replace the battery pack or the charger.
- Stop the machine and wait until the engine stops before you install or remove the battery pack.
- Read, know, and do the instructions in the battery and charger manual.

- Open the battery door.
- Align the lift ribs on the battery pack with the grooves in the battery compartment.
- Push the battery pack into the battery compartment until the battery pack locks into place.
- When you hear a click, the battery pack is installed.
- Close the battery door.

8.6 REMOVE THE BATTERY PACK

- Open the battery door.
- Push and hold the battery release button (18).
- Remove the battery pack from the machine.

9 OPERATION

▲ WARNING

Make sure that all the connections are tight and have no leakage before operation.

9.1 USE THE SPRAY GUN

▲ WARNING

For safe control, keep your hands on the spray gun and wand at all times.

- Pull and hold the spray gun trigger (10) to start the machine.
- Release the spray gun trigger (10) to stop water flow through the nozzle (19).

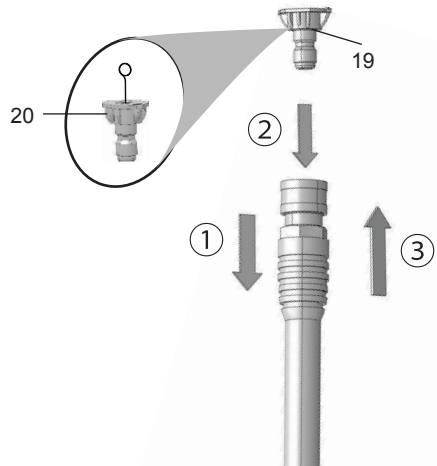
9.1.1 UNLOCK THE GUN TRIGGER

- Push backward the trigger safety button (14).

9.1.2 LOCK THE GUN TRIGGER

- Push forward the trigger safety button (14).

9.2 INSTALL THE NOZZLE



▲ WARNING

Before you change the nozzle:



- Pull the spray gun trigger (10) to release water pressure.
- Lock the trigger safety button (14) on the gun.
- Stop the machine.

▲ WARNING

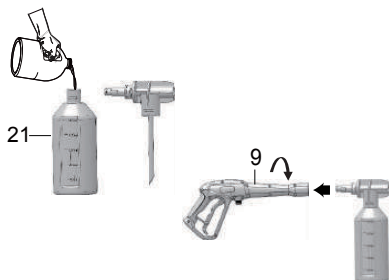
Do not point the spray wand (8) at your face or others'.

- Pull back the quick-connect collar on the spray wand (8).
- Install the nozzle (19) onto the spray wand (8).
- Release the quick-connect collar to attach the nozzle (19).

9.2.1 NOZZLE TYPE

SPRAY TIP	APPLICATION
 15°	Yellow - Narrow fan tip (15°) <ul style="list-style-type: none"> The yellow pressure washer tip provides high versatility with its 15 degree angle tip. Referred to as the washing tip, because it provides adequate pressure to remove dirt from surfaces, but is designed to not damage many surfaces. This pressure washer tip is designed for "sweeping" foliage or debris given its wide angle. This tip is versatile due to its wide area of cleaning and strong pressure application.
 40°	White - Wide fan tip (40°) <ul style="list-style-type: none"> The white 40 degree tip, referred to as the "fan" tip creates the widest area of cleaning with relatively low pressure. This pressure washer tip is best used for light or delicate cleaning applications. It is recommended for light cleaning on wood decks and other soft or delicate surfaces.

10 INSTALL THE DETERGENT TANK



▲ WARNING

Do not use household detergents, acids, alkalines, bleaches, solvents, flammable material, or industrial grade solutions, which can do damage to the pump.

▲ WARNING

Do the instructions on the solution bottle to prepare detergent.

i NOTE

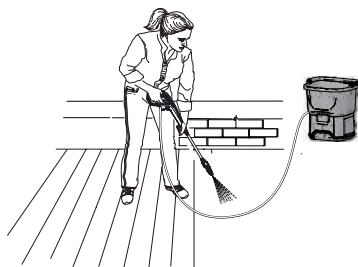
If it is necessary, use a funnel to prevent the spill of detergent. Clean and dry the spilled detergent when you fill it.

- Put the detergent into the detergent tank (21).
- Install the detergent tank onto the spray gun (9).
- Turn counter-clockwise the spray gun (9) to tighten.

i NOTE

Do not let detergent dry on the surface to prevent streaks.

11 START THE MACHINE



▲ CAUTION

Do not operate without the water supply connected.

▲ CAUTION

Before you start the machine:

- Turn the water supply on.
 - Pull the spray gun trigger (10) to release air pressure.
 - If a stable stream of water come into view, release the gun trigger (10).
- Set the power switch to the "ON" (I) position.
 - Pull the spray gun trigger (10).

12 STOP THE MACHINE

- Release the spray gun trigger (10).
- Set the power switch to the "OFF" (O) position.

▲ WARNING

If you do not use the machine :

- Stop the machine.
- Turn the water supply off.
- Remove the battery pack.
- Pull the spray gun trigger (10) to release the remaining pressure from the machine.
- Lock the trigger safety button (14).

13 MAINTENANCE

▲ CAUTION

Do not let brake fluids, gasoline, petroleum-based materials touch the plastic parts. Chemicals can cause damage to the plastic, and make the plastic unserviceable.

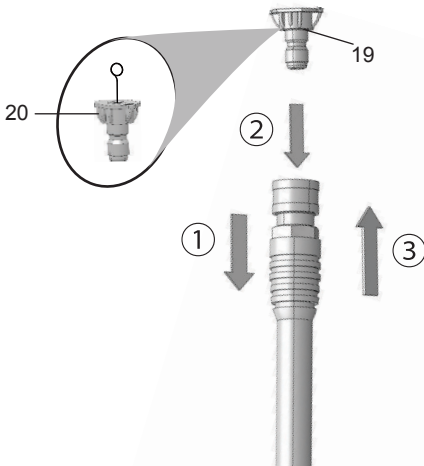
▲ CAUTION

Do not use strong solvents or detergents on the plastic housing or components.

▲ WARNING

Remove the battery pack from the machine before maintenance.

13.1 NOZZLE MAINTENANCE



If there is too much pump pressure, the nozzle can become clogged, you can feel a pulsing sensation while you pull the gun trigger.

13.1.1 REMOVE THE NOZZLE

1. Remove the nozzle (19) from the spray wand (8).

13.1.2 CLEAN THE NOZZLE

1. Use a straight paper clip or cleaning tool (20) to clean the spray tip.
2. Flush and clean the unwanted materials out of the nozzle (19) with the garden hose (15).
3. Install the clean nozzle (19) to the spray wand (8).

14 TRANSPORTATION AND STORAGE

▲ WARNING

Remove the battery pack from the machine before transportation and storage.

14.1 MOVE THE MACHINE

- Point the spray wand in a safe direction.
- Only hold the machine with the handgrip.

14.2 STORE THE MACHINE

▲ WARNING

Make sure that the gun, the high pressure hose and the pump are dry.

▲ WARNING

Make sure that children cannot come near the machine.

i NOTE

Use a recommended pump protector to prevent cold weather damage during storage in winter.

- Disconnect the garden hose from machine.
- Wind the high pressure hose.
- Clean housing and the plastic components with a moist and soft cloth.
- Make sure that the machine does not have loose or damaged parts. If it is necessary, do these steps/instructions:
 - replace the damaged parts.
 - tighten the bolts.
 - speak to a person of an approved service center.
- Store the machine in a dry, isolated and frost-free area.

15 TROUBLESHOOTING

PROBLEM	POSSIBLE CAUSE	SOLUTION
The motor does not start.	The power switch is off.	Set the power switch to the "ON" (I) position.
	You do not install the battery pack.	Install the battery pack.
	The power switch is on, but you do not pull the gun trigger.	Pull the gun trigger.

PROBLEM	POSSIBLE CAUSE	SOLUTION
The machine does not get high pressure.	The diameter of garden hose is too small.	Replace with a 1" (25 mm) or 5/8" (16 mm) garden hose.
	The garden hose is blocked.	Make sure that the garden hose is free from blockage.
	The water supply is not sufficient.	Open the water supply fully.
	You do not install the nozzle onto the spray wand.	Install the nozzle onto the spray wand.
	The water inlet filter is blocked.	Clean the filter in warm water.
The output pressure varies high and low.	The water supply is not sufficient.	Open water supply fully. Make sure the garden hose is free from blockage.
	The pump absorbs air.	<ol style="list-style-type: none"> 1. Make sure that the hoses and fittings are not damaged. 2. Turn the machine off. 3. Pull the gun trigger until a stable flow of water comes out through the nozzle.
	The water inlet filter is clogged.	Clean the filter in warm water.
	The battery pack is out of power.	Charge the battery pack.
	The gun, hose or nozzle are calcified.	Operate distilled vinegar through detergent tank.

PROBLEM	POSSIBLE CAUSE	SOLUTION
The motor buzzes, but you can not start the machine.	The battery pack is out of power.	Charge the battery pack.
	The system has remaining pressure.	<ol style="list-style-type: none"> 1. Stop the machine. 2. Pull the gun trigger on spray wand to release pressure 3. Start the machine.
	You do not use the machine for a long time.	Speak to a person of an approved service center.
	There is remaining friction in components. You can hear a hum.	<ol style="list-style-type: none"> 1. Disconnect the water supply. 2. Turn the machine on for 2 or 3 seconds. 3. Repeat the above step for several times.
There is no water.	The water supply is off.	Turn the water supply on.
	The garden hose is blocked.	Make sure that the garden hose is free from blockage.

16 TECHNICAL DATA

Rated Voltage	60 V $\overline{\text{---}}$
Rated Pressure	1800 PSI
Rated Water Flow	1.0 GPM
Maximum Water Inlet Temperature	104°F (40°C)
Weight(without battery pack)	17.6 lbs (8 kg)
Battery pack model	LB6025/LB605/LB604/LB602 and other BAC series
Charger model	CH60DP01/CH60R00/CAC801 and other CAC series

17 LIMITED WARRANTY



Greenworks hereby warrants this product, to the original purchaser with proof of purchase, for a period of four (4) years against defects in materials, parts or workmanship. Greenworks, at its own discretion will repair or replace any and all parts found to be defective, through normal use, free of charge to the customer. This warranty is valid only for units which have been used for personal use that have not been hired or rented for industrial/commercial use, and that have been maintained in accordance with the instructions in the owners' manual supplied with the product from new.

ITEMS NOT COVERED BY WARRANTY:

1. Any part that has become inoperative due to misuse, commercial use, abuse, neglect, accident, improper maintenance, or alteration; or
2. The unit, if it has not been operated and/or maintained in accordance with the owner's manual; or
3. Normal wear, except as noted below;
4. Routine maintenance items such as lubricants, blade sharpening;
5. Normal deterioration of the exterior finish due to use or exposure.

HELPLINE:

Warranty service is available by calling our toll-free helpline, at 1-855-345-3934.

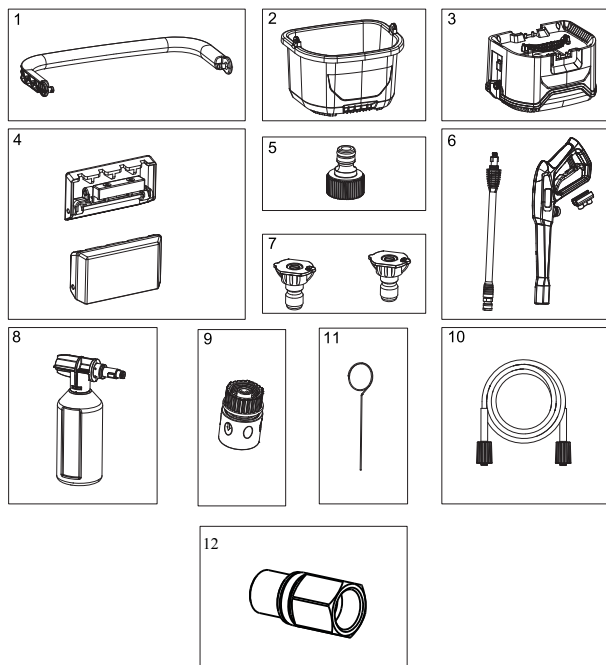
TRANSPORTATION CHARGES:

Transportation charges for the movement of any power equipment unit or attachment are the responsibility of the purchaser. It is the purchaser's responsibility to pay transportation charges for any part submitted for replacement under this warranty unless such return is requested in writing by Greenworks.

USA address:

Greenworks Tools
P.O. Box 1238
Mooresville, NC 28115

18 EXPLODED VIEW



No.	Part No.	Qty	Description
1	R0200316-00	1	Bucket handle
2	R0200317-00	1	Upper housing
3	R0200318-00	1	Lower housing
4	R0200319-00	1	Lock catch
5	R0200320-00	1	Water inlet connector
6	R0200321-00	1	Gun
7	R0200322-00	1	Nozzle
8	R0200323-00	1	Detergent tank
9	R0200324-00	1	Adapter
10	R0200325-00	1	High pressure hose
11	R0200326-00	1	Cleaning tool
12	C1103056-00	1	Priming valve

1 Descripción.....	16	8.5	Instalación de la batería.....	21	
1.1	Finalidad.....	16	8.6	Retirada de la batería.....	21
1.2	Perspectiva general.....	16	9 Funcionamiento.....	22	
2 Introducción.....	16	9.1	Uso de la pistola pulverizadora.....	22	
3 Advertencias generales de seguridad para herramientas eléctricas.....	16	9.2	Instalación de la boquilla.....	22	
4 Símbolos en el producto.....	18	10 Instalación del depósito de detergente.....	23		
5 Niveles de riesgo.....	19	11 Puesta en marcha de la máquina... 23			
6 Eliminación de batería segura para el medio ambiente.....	19	12 Detención de la máquina.....	23		
7 Propuesta 65.....	19	13 Mantenimiento.....	24		
8 Instalación.....	20	13.1	Mantenimiento de la boquilla.....	24	
8.1	Desembalaje de la máquina.....	20	14 Transporte y almacenamiento.....	24	
8.2	Instalación de la varilla pulverizadora.....	20	14.1	Traslado de la máquina.....	24
8.3	Instalación de la manguera de alta presión.....	20	14.2	Almacenamiento de la máquina.....	24
8.4	Conexión del suministro de agua a la máquina.....	20	15 Solución de problemas.....	25	
			16 Datos técnicos.....	26	
			17 Garantía limitada.....	26	
			18 Vista despiezada.....	27	

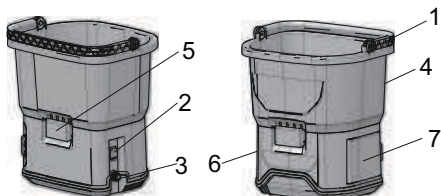
1 DESCRIPCIÓN

1.1 FINALIDAD

La máquina se utiliza para limpiar vehículos, barcos, edificios, porches, terrazas, patios y calzadas.

Indicada solo para el uso doméstico, no apta para el uso profesional ni para funcionamiento a temperaturas superiores a 32°F (0°C).

1.2 PERSPECTIVA GENERAL



- | | |
|--|--|
| <ul style="list-style-type: none"> 1 Asa 2 Interruptor de encendido 3 Salida de agua 4 Cubo 5 Hebilla del cubo 6 Base 7 Puerta de la batería 8 Varilla pulverizadora 9 Pistola pulverizadora 10 Gatillo de la pistola 11 Manguera de alta presión 12 Adaptador | <ul style="list-style-type: none"> 13 Acoplamiento de entrada 14 Botón de seguridad del gatillo 15 Manguera de jardín 16 Entrada de agua 17 Conector de entrada de agua 18 Botón de desbloqueo de la batería 19 Boquilla 20 Herramienta de limpieza 21 Depósito de detergente |
|--|--|

2 INTRODUCCIÓN

Su producto ha sido diseñado y fabricado bajo criterios de máxima fiabilidad, facilidad de funcionamiento y seguridad del operario. Por lo tanto, si lo cuida como corresponde, seguirá proporcionándole un rendimiento sólido y sin contratiempos durante muchos años.

3 ADVERTENCIAS GENERALES DE SEGURIDAD PARA HERRAMIENTAS ELÉCTRICAS

▲ AVISO

Lea todas las advertencias de seguridad y todas las instrucciones. El incumplimiento de las advertencias e instrucciones puede provocar descargas eléctricas, incendios o lesiones graves.

Guarde todas las advertencias e instrucciones para su consulta posterior.

El término “herramienta eléctrica” empleado en las advertencias se refiere a su herramienta eléctrica con funcionamiento a batería (inalámbrica).

- Gracias a este manual conocerá las aplicaciones y limitaciones de la máquina, así como los peligros potenciales específicos relacionados con esta herramienta.
- Siga las instrucciones de mantenimiento especificadas en este manual.
- Nunca utilice la máquina con las protecciones o cubiertas retiradas o si han sufrido daños.
- No utilice la máquina bajo la influencia de drogas, alcohol o cualquier medicamento.
- No lleve ropa suelta, guantes, corbatas o joyas. Pueden quedar atrapados y arrastrarle hacia las piezas móviles.
- Se recomienda el uso de guantes de goma y calzado antideslizante cuando trabaje al aire libre. Lleve también una protección capilar para sujetar el cabello largo. Lleve calzado que proteja los pies y mejore el agarre en superficies resbaladizas.
- Asimismo, siempre debe llevar gafas de seguridad con protectores laterales.
- No se estire ni se suba sobre un soporte inestable. Mantenga en todo momento una postura adecuada y el equilibrio.
- No incline en exceso la unidad.

▲ AVISO

Riesgo de explosión – No pulverice líquidos inflamables.

▲ AVISO

El agua que ha atravesado los dispositivos de prevención de reflujo se considera no potable.

▲ AVISO

No utilice el aparato si hay daños en una batería o en piezas importantes.

▲ AVISO

Para las máquinas que funcionan a batería, apague siempre el interruptor y retire la batería del aparato cuando deje la máquina desatendida.

▲ AVISO

Los chorros a alta presión pueden ser peligrosos si se utilizan incorrectamente. El chorro no debe dirigirse a personas, animales, dispositivos eléctricos ni a la propia máquina.

▲ AVISO

Este aparato se ha diseñado para su uso con el producto de limpieza suministrado o recomendado por el fabricante. El uso de otros productos de limpieza o sustancias químicas puede afectar negativamente a la seguridad del aparato.

▲ AVISO

No utilice el aparato dentro del alcance de personas a menos que lleven indumentaria protectora.

- No dirija el chorro contra usted ni otras personas para limpiar ropa o calzado.
- Retire la batería antes de llevar a cabo el mantenimiento del usuario.
- Para garantizar la seguridad del aparato, utilice únicamente piezas de repuesto originales del fabricante o aprobadas por el fabricante.

▲ AVISO

Para reducir el riesgo de electrocución, mantenga todas las conexiones secas y alejadas del suelo.

- Para reducir el riesgo de lesiones, la máquina no debe ser utilizada por niños o personal sin formación. Mantenga alejados a los niños y transeúntes. Todos los transeúntes deben llevar gafas de seguridad y mantenerse a una distancia segura de la zona de trabajo.

Este aparato no debe ser utilizado por personas (niños incluidos) con una discapacidad física, sensorial o mental, o que no tengan experiencia ni conocimientos, a menos que hayan recibido supervisión o instrucción sobre el uso del aparato por una persona responsable de su seguridad. Supervise siempre a los niños para asegurarse de que no jueguen con el aparato.

- Utilice el producto correcto. No fuerce el producto o el accesorio para hacer un trabajo para el que no se ha diseñado. No lo utilice para un fin distinto al previsto.
- Utilice únicamente los accesorios recomendados. La utilización de accesorios inadecuados puede dar lugar a un riesgo de lesiones.
- Nunca deje el producto desatendido cuando esté en marcha. Apague la alimentación. No deje el producto hasta que se haya detenido totalmente.
- Mantenga el motor limpio de hierba, hojas o grasa para reducir el riesgo de incendio.
- Mantenga el producto seco, limpio y sin restos de aceite y grasa. Para la limpieza utilice siempre un paño limpio. Nunca utilice líquidos de frenos, gasolina, productos a base de petróleo o cualquier otro disolvente para limpiar el producto.
- Compruebe la zona de trabajo antes de cada uso. Retire todos los objetos, como piedras, trozos de cristal, clavos, alambres o cuerdas que puedan salir despedidos o enredarse en la máquina.

- No utilice el producto si el interruptor no lo apaga. Los interruptores defectuosos deben ser sustituidos por un centro de servicio autorizado.
- Evite los entornos peligrosos. No exponga a la lluvia. Mantenga bien iluminada la zona de trabajo.
- Antes de iniciar cualquier operación de limpieza, cierre las puertas y las ventanas. La zona a limpiar debe estar libre de residuos, juguetes, mobiliario de exterior u otros objetos que puedan suponer un peligro.
- Mantenga el motor alejado de materiales inflamables y otros materiales peligrosos.
- Compruebe que los pernos y las tuercas no estén flojos antes de cada uso. Un perno o una tuerca que se ha aflojado puede producir problemas graves en el motor.
- Deje que el motor se enfríe antes de almacenar.
- Cuando realice tareas de servicio, utilice únicamente piezas de repuesto idénticas. El uso de cualquier otra pieza puede generar un riesgo o producir daños en el producto.
- Utilice ÚNICAMENTE agua fría.
- Asegúrese de que los materiales combustibles se mantengan alejados un mínimo de 3 pies (1 metro).
- Sostenga la pistola y la varilla firmemente con ambas manos.
- No debe sorprenderle que la pistola se mueva al apretar el gatillo debido a las fuerzas de reacción. En caso de sorpresa podría perder el control y provocar lesiones a usted mismo y a otras personas.
- Evite el arranque accidental. Asegúrese de que el interruptor esté en la posición de apagado antes de conectar a la batería y al coger o transportar el aparato. El transporte del aparato con el dedo en el interruptor o la conexión de un aparato que tiene el interruptor activado fomenta los accidentes.
- Desconecte la batería del aparato antes de realizar ajustes, cambiar accesorios o almacenarlo. Estas medidas de seguridad preventivas reducen el riesgo de que el aparato se ponga en marcha accidentalmente.
- Para uso únicamente con el cargador CH60DP01/CH60R00/CAC801 y otras series CAC.
- Para uso únicamente con la batería LB6025/LB605/LB604/LB602 y otras series BAC.
- Cuando la batería no esté en uso, manténgala alejada de otros objetos metálicos como clips, monedas, llaves, clavos, tornillos u otros objetos metálicos pequeños que puedan hacer una conexión entre los terminales. El cortocircuito de los terminales de la batería puede provocar quemaduras o un incendio.
- No utilice una batería o un aparato que haya sufrido daños o modificaciones. Las baterías dañadas o modificadas pueden exhibir un comportamiento impredecible que puede dar lugar a un incendio, una explosión o un riesgo de lesiones.
- No exponga una batería o un aparato al fuego ni a temperaturas excesivas. La exposición al fuego o a una temperatura superior a 265°F (130°C) puede provocar una explosión.

- Siga todas las instrucciones de carga y no cargue la batería o el aparato fuera del intervalo de temperatura especificado en las instrucciones. La carga incorrecta o a temperaturas fuera del intervalo especificado puede dañar la batería y aumentar el riesgo de incendio.
- Solicite a un técnico de reparación cualificado que realice las tareas de servicio utilizando únicamente piezas de repuesto idénticas. Esto garantizará el mantenimiento de la seguridad del producto.
- No modifique ni intente reparar el aparato o la batería (según corresponda), excepto lo indicado en las instrucciones de uso y cuidado.
- Recargue solo con el cargador especificado por el fabricante. Un cargador adecuado para un tipo de batería puede dar lugar a un riesgo de incendio cuando se usa con otra batería.
- Utilice los aparatos únicamente con las baterías designadas especialmente. El uso de cualquier otra batería puede dar lugar a un riesgo de lesiones e incendio.
- El intervalo de temperatura ambiente recomendado:

Elemento	Temperatura
Intervalo de temperatura de almacenamiento del aparato	-4°F (-20°C) - 158°F (70°C)
Intervalo de temperatura de funcionamiento del aparato	32°F (0°C) - 104°F (40°C)
Intervalo de temperatura de carga de la batería	39°F (4°C) - 113°F (40°C)
Intervalo de temperatura de funcionamiento del cargador	39°F (4°C) - 113°F (40°C)
Intervalo de temperatura de almacenamiento de la batería	1 año: 32°F (0°C) - 73°F (23°C)
	3 mes: 32°F (0°C) - 113°F (45°C)
	1 mes: 32°F (0°C) - 140°F (60°C)
Intervalo de temperatura de descarga de la batería	6,8°F (-14°C) - 113°F (45°C)











- Conserve estas instrucciones. Consúltelas con frecuencia y utilícelas para instruir a otros usuarios. Si presta este producto a otra persona, también debe prestarle estas instrucciones.


▲ AVISO

Las mangueras, los racores y los acoplamientos de alta presión son importantes para la seguridad del aparato. Utilice únicamente mangueras, racores y acoplamientos recomendados por el fabricante.

4 SÍMBOLOS EN EL PRODUCTO




En esta herramienta pueden utilizarse algunos de los siguientes símbolos. Le rogamos que los estudie y aprenda su significado. La interpretación correcta de estos símbolos le permitirá manejar la herramienta mejor y de manera más segura.

Símbolo	Explicación
	Para reducir el riesgo de lesiones, el usuario debe leer y entender el manual del operario antes de utilizar este producto.
	No ponga el producto a la lluvia o a condiciones de humedad.
	Lleve protección ocular.
	Para reducir el riesgo de inyección o lesión, nunca dirija un chorro de agua hacia personas o animales, ni coloque ninguna parte del cuerpo delante del chorro. Las fugas en las mangueras y los racores también pueden provocar lesiones por inyección. No sujete las mangueras ni los racores.
	Para reducir el riesgo de lesiones por retroceso, sujete firmemente la lanza con ambas manos cuando la máquina esté encendida.
	Si no se utiliza en condiciones secas y no se respetan prácticas seguras, pueden producirse descargas eléctricas.
	El combustible y sus vapores son explosivos y pueden producir quemaduras graves o incluso la muerte.
	¡Advertencia! Nunca apunte la pistola hacia personas, animales, el cuerpo de la máquina, la fuente de alimentación o cualquier aparato eléctrico.
	El aparato no es adecuado para la conexión a la red de agua potable sin un dispositivo de prevención de reflujo.
	Utilice la plataforma de limpieza únicamente sobre superficies planas y horizontales. Nunca levante la plataforma de limpieza de la superficie de limpieza mientras esté utilizando el limpiador a presión.

Símbolo	Explicación
	Mantenga las manos y los pies alejados de la plataforma de limpieza mientras el limpiador a presión esté en funcionamiento.

5 NIVELES DE RIESGO

Las siguientes indicaciones y significados tienen como fin explicar los niveles de riesgo asociados a este producto.

SÍMBOLO	INDICACIÓN	SIGNIFICADO
	PELIGRO	Indica una situación de peligro inminente que, de no evitarse, provocará lesiones graves o incluso la muerte.
	ADVERTENCIA	Indica una situación de peligro potencial que, de no evitarse, podría provocar lesiones graves o incluso la muerte.
	PRECAUCIÓN	Indica una situación de peligro potencial que, de no evitarse, puede provocar lesiones leves o moderadas.
	PRECAUCIÓN	(Sin símbolo de alerta sobre seguridad) Indica una situación que puede provocar daños materiales.

6 ELIMINACIÓN DE BATERÍA SEGURA PARA EL MEDIO AMBIENTE



Los materiales tóxicos y corrosivos que figuran a continuación se encuentran en las baterías utilizadas en esta máquina: **Ion de litio, un material tóxico.**

▲ AVISO

Deseche todos los materiales tóxicos de una manera especificada para evitar la contaminación del medio ambiente. Antes de desechar una batería de ion de litio dañada o agotada, contacte con la agencia local de eliminación de residuos o con la agencia de protección ambiental local para obtener información e instrucciones específicas. Lleve las baterías a un centro de reciclaje o eliminación local, certificado para la eliminación de ion de litio.

▲ AVISO

Si la batería se agrieta o se rompe, con o sin fugas, no la recargue ni la utilice. Deséchela y sustitúyala por una batería nueva. ¡NO INTENTE REPARARLA! Para evitar lesiones y riesgos de incendio, explosión o descarga eléctrica, y para evitar daños al medio ambiente:

- Cubra los terminales de la batería con cinta adhesiva resistente.
- NO intente retirar o destruir ninguno de los componentes de la batería.
- NO intente abrir la batería.
- Si se produce una fuga, los electrolitos liberados son corrosivos y tóxicos. NO deje que la solución entre en contacto con los ojos o la piel, y no la ingiera.
- NO deseches estas baterías con la basura doméstica normal.
- NO incinere.
- NO lleve las baterías a lugares donde formarán parte de vertederos de residuos o flujos de residuos sólidos urbanos.
- Llévelas a un centro de reciclaje o eliminación certificado.

7 PROPUESTA 65

▲ AVISO

Este producto contiene una sustancia química conocida en el estado de California como causante de cáncer, defectos de nacimiento u otros daños reproductivos. El polvo generado por el lijado eléctrico, el serrado, el esmerilado, la perforación y otras actividades de construcción contiene sustancias químicas que se sabe que son causantes de cáncer, defectos de nacimiento u otros daños reproductivos. Algunos ejemplos de estas sustancias químicas son:

- Plomo de pinturas con base de plomo;
- Sílice cristalina de ladrillos y cemento y otros productos de albañilería;
- Arsénico y cromo de la madera tratada químicamente.

El riesgo de exposición a estas sustancias químicas varía según la frecuencia con la que realice este tipo de trabajo. Para reducir su exposición a estas sustancias químicas, trabaje en una zona bien ventilada y trabaje con equipos de seguridad aprobados, como máscaras antipolvo, que estén especialmente diseñadas para filtrar partículas microscópicas.

Conservar estas instrucciones.

8 INSTALACIÓN

8.1 DESEMBALAJE DE LA MÁQUINA

▲ AVISO

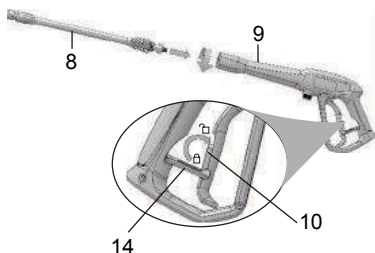
Asegúrese de montar correctamente la máquina antes del uso.

▲ AVISO

- Si las piezas de la máquina presentan daños, no utilice la máquina.
- Si no tiene todas las piezas, no utilice la máquina.
- Si faltan piezas o hay piezas dañadas, contacte con el centro de servicio.

1. Abra el embalaje.
2. Lea la documentación que se proporciona en la caja.
3. Retire todas las piezas sin montar de la caja.
4. Retire la máquina de la caja.
5. Deseche la caja y el material de embalaje de conformidad con los reglamentos locales.

8.2 INSTALACIÓN DE LA VARILLA PULVERIZADORA

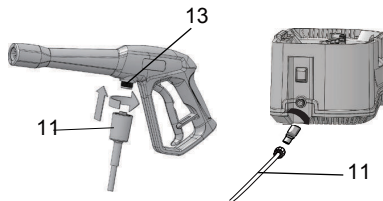


1. Introduzca el extremo de la varilla pulverizadora (8) en la empuñadura de la pistola (9).
2. Gire la varilla pulverizadora (8) en sentido horario hasta que las pestañas se bloqueen en su posición.
3. Asegúrese de que el desbloqueo del gatillo (14) esté en la posición desbloqueada.

▲ AVISO

Asegúrese de que la conexión no tenga fugas.

8.3 INSTALACIÓN DE LA MANGUERA DE ALTA PRESIÓN



1. Introduzca un extremo de la manguera de alta presión (11) en el acoplamiento de entrada (13).
2. Antes de instalar la manguera de alta presión incluida (11), enrosque la válvula de cebado en la salida del limpiador a presión y gire en sentido horario hasta que quede apretada.
3. Una vez instalada, enrosque un extremo de la manguera de alta presión incluida y apriete en la válvula.

▲ AVISO

- Es normal que salgan pequeñas cantidades de agua de la válvula de cebado del limpiador a presión. Esto es necesario para purgar el aire del sistema.

8.4 CONEXIÓN DEL SUMINISTRO DE AGUA A LA MÁQUINA

La máquina funciona únicamente cuando hay agua en el cubo o la base está conectada a un suministro de agua. Cuando no haya agua conectada, pulse el interruptor de encendido para detener la máquina.

8.4.1 CONEXIÓN DEL SUMINISTRO DE AGUA A LA MÁQUINA

▲ AVISO

- El suministro de agua debe provenir de la red de abastecimiento de agua
- No utilice agua caliente
- No utilice agua de estanques o lagos

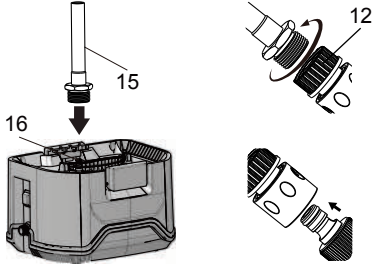
▲ AVISO

Siga los reglamentos locales cuando conecte la manguera de jardín al suministro de agua. Normalmente se permite la conexión directa a través de un depósito receptor o un dispositivo de prevención de reflujo.

▲ PRECAUCIÓN

Inspeccione el filtro en el conector de entrada de agua antes de conectar la manguera de jardín

- Si el filtro está dañado, no utilice la máquina hasta que sustituya el filtro.
- Limpie el filtro si está sucio.



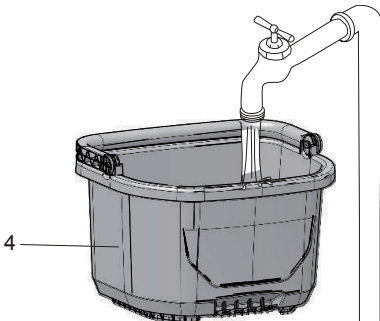
1. Desenrolle la manguera de jardín (15) (no se incluye).
2. Adaptador de rosca (12) a la manguera de jardín macho (15).
3. Tire hacia atrás del collarín adaptador y fije en el conector macho (16) de la máquina.
4. Desconecte el suministro de agua.
5. Deje que el agua fluya por la manguera de jardín (15) durante 30 segundos.

▲ PRECAUCIÓN

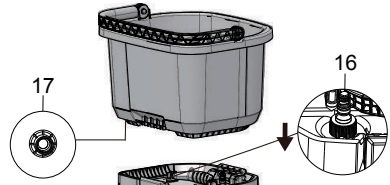
Debe haber un mínimo de 10 pies (3 m) de manguera libre entre la entrada de agua y el suministro de agua.

8.4.2 INSTALACIÓN DEL CUBO

1. Añada agua al cubo (4).



2. Alinee el conector de entrada de agua (17) con la entrada de agua (16).

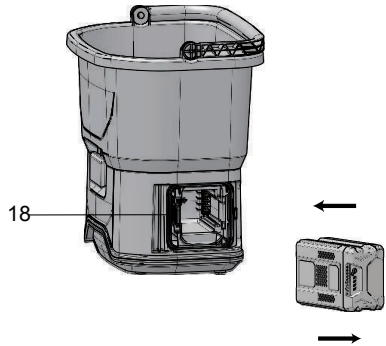


3. Instale el cubo (4) en la base.
4. Levante y empuje hacia abajo la hebilla del cubo para fijar el cubo (4) en la base.

▲ AVISO

Tire de la hebilla del cubo para desbloquear el cubo.

8.5 INSTALACIÓN DE LA BATERÍA



▲ AVISO

- Si la batería o el cargador ha sufrido daños, sustituya la batería o el cargador.
- Detenga la máquina y espere hasta que el motor se pare antes de instalar o retirar la batería.
- Debe leer, conocer y seguir las instrucciones del manual de la batería y el cargador.

1. Abra la puerta de la batería.
2. Alinee las nervaduras de elevación de la batería con las ranuras del compartimento de la batería.
3. Introduzca la batería en el compartimento de la batería hasta que encaje en su posición.
4. Cuando escuche un clic, la batería está instalada.
5. Cierre la puerta de la batería.

8.6 RETIRADA DE LA BATERÍA

1. Abra la puerta de la batería.

2. Pulse y mantenga pulsado el botón de desbloqueo de la batería (18).
3. Retire la batería de la máquina.

9 FUNCIONAMIENTO

▲ AVISO

Asegúrese de que todas las conexiones estén apretadas y no tengan fugas antes del funcionamiento.

9.1 USO DE LA PISTOLA PULVERIZADORA

▲ AVISO

Para un control seguro, mantenga las manos en la pistola pulverizadora y la varilla en todo momento.

- Apriete y mantenga apretado el gatillo de la pistola pulverizadora (10) para poner en marcha la máquina.
- Suelte el gatillo de la pistola pulverizadora (10) para detener el flujo de agua por la boquilla (19).

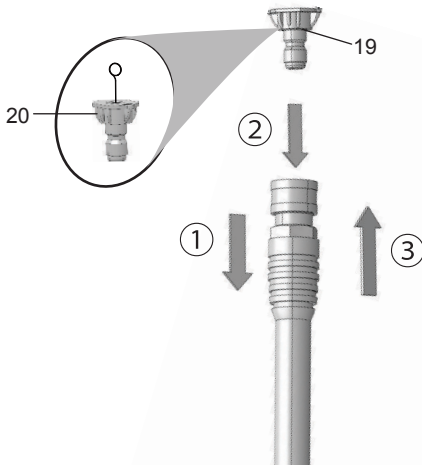
9.1.1 DESBLOQUEO DEL GATILLO DE LA PISTOLA

- Empuje hacia atrás el botón de seguridad del gatillo (14).

9.1.2 BLOQUEO DEL GATILLO DE LA PISTOLA

- Empuje hacia delante el botón de seguridad del gatillo (14).

9.2 INSTALACIÓN DE LA BOQUILLA



▲ AVISO

Antes de cambiar la boquilla:

1. Apriete el gatillo de la pistola pulverizadora (10) para liberar la presión de agua.
2. Bloquee el botón de seguridad del gatillo (14) en la pistola.
3. Pare la máquina.

▲ AVISO

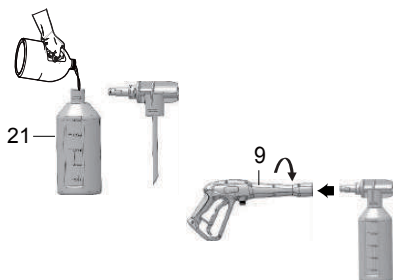
No apunte la varilla pulverizadora (8) hacia su propia cara o la de otras personas.

1. Tire hacia atrás del collarín de conexión rápida de la varilla pulverizadora (8).
2. Instale la boquilla (19) en la varilla pulverizadora (8).
3. Suelte el collarín de conexión rápida para fijar la boquilla (19).

9.2.1 TIPO DE BOQUILLA

PUNTA DE PULVERIZACIÓN	APLICACIÓN
 15°	<p>Amarillo - Punta en abanico estrecha (15°)</p> <ul style="list-style-type: none"> • La punta amarilla del limpiador a presión ofrece una gran versatilidad con su punta en ángulo de 15 grados. Se la denomina punta de lavado, porque proporciona la presión adecuada para eliminar la suciedad de las superficies, pero se ha diseñado para no dañar numerosas superficies. Esta punta del limpiador a presión se ha diseñado para "barrer" el follaje o los residuos dado su amplio ángulo. Esta punta es versátil gracias a su amplia zona de limpieza y aplicación de fuerte presión.
 40°	<p>Blanca - Punta en abanico ancha (40°)</p> <ul style="list-style-type: none"> • La punta blanca de 40 grados, denominada punta "en abanico", genera la zona más amplia de limpieza con una presión relativamente baja. Esta punta del limpiador a presión es idónea para aplicaciones de limpieza ligera o delicada. Se recomienda para la limpieza ligera en cubiertas de madera y otras superficies suaves o delicadas.

10 INSTALACIÓN DEL DEPÓSITO DE DETERGENTE



▲ AVISO

No utilice detergentes domésticos, ácidos, alcalinos, lejías, disolventes, materiales inflamables o soluciones para uso industrial que puedan dañar la bomba.

▲ AVISO

Siga las instrucciones de la botella de solución para preparar el detergente.

i NOTA

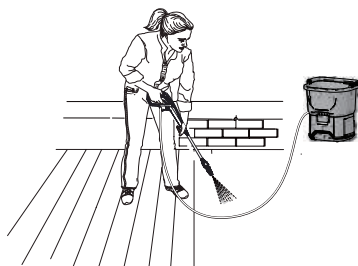
En caso necesario, utilice un embudo para evitar el derrame de detergente. Limpie y seque el detergente derramado durante el llenado.

1. Ponga el detergente en el depósito de detergente (21).
2. Instale el depósito de detergente en la pistola pulverizadora (9).
3. Gire la pistola pulverizadora en sentido antihorario (9) para apretar.

i NOTA

No deje que el detergente se seque sobre la superficie para evitar trazas.

11 PUESTA EN MARCHA DE LA MÁQUINA



▲ PRECAUCIÓN

No utilice sin el suministro de agua conectado.

▲ PRECAUCIÓN

Antes de poner en marcha la máquina:

1. Conecte el suministro de agua.
2. Apriete el gatillo de la pistola pulverizadora (10) para liberar la presión de aire.
3. Cuando observe un chorro de agua estable, suelte el gatillo de la pistola (10).

1. Sitúe el interruptor de encendido en la posición de encendido (I).
2. Apriete el gatillo de la pistola pulverizadora (10).

12 DETENCIÓN DE LA MÁQUINA

1. Suelte el gatillo de la pistola pulverizadora (10).
2. Sitúe el interruptor de encendido en la posición "OFF" (O).

▲ AVISO

Si no utiliza la máquina:

- Detenga la máquina.
- Desconecte el suministro de agua.
- Retire la batería.
- Apriete el gatillo de la pistola pulverizadora (10) para liberar la presión restante de la máquina.
- Bloquee el botón de seguridad del gatillo (14).

13 MANTENIMIENTO

▲ PRECAUCIÓN

No permita que líquidos de frenos, gasolina y otros derivados del petróleo toquen las piezas de plástico. Las sustancias químicas pueden dañar el plástico y hacer que quede inservible.

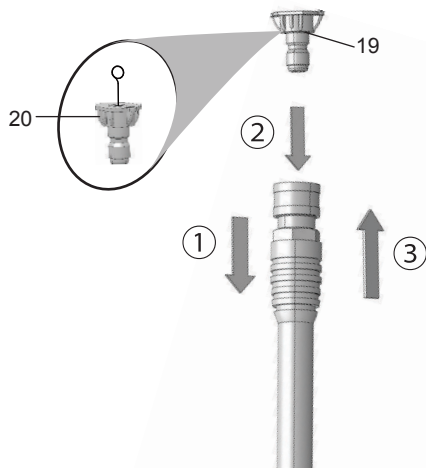
▲ PRECAUCIÓN

No utilice disolventes o detergentes fuertes en la carcasa o los componentes de plástico.

▲ AVISO

Retire la batería de la máquina antes de realizar tareas de mantenimiento.

13.1 MANTENIMIENTO DE LA BOQUILLA



Si hay demasiada presión de la bomba, la boquilla puede obstruirse y puede sentirse una sensación de pulsación mientras aprieta el gatillo de la pistola.

13.1.1 RETIRADA DE LA BOQUILLA

1. Retire la boquilla (19) de la varilla pulverizadora (8).

13.1.2 LIMPIEZA DE LA BOQUILLA

1. Utilice un clip de papel recto o la herramienta de limpieza (20) para limpiar la punta de pulverización.
2. Elimine y limpie los materiales no deseados de la boquilla (19) con la manguera de jardín (15).
3. Instale la boquilla limpia (19) en la varilla pulverizadora (8).

14 TRANSPORTE Y ALMACENAMIENTO

▲ AVISO

Retire la batería de la máquina antes del transporte y el almacenamiento.

14.1 TRASLADO DE LA MÁQUINA

- Apunte la varilla pulverizadora en una dirección segura.
- Sujete la máquina únicamente por la empuñadura.

14.2 ALMACENAMIENTO DE LA MÁQUINA

▲ AVISO

Asegúrese de que la pistola, la manguera de alta presión y la bomba estén secas.

▲ AVISO

Asegúrese de que los niños no puedan acercarse a la máquina.

i NOTA

Utilice un protector de bomba recomendado para evitar daños por el frío durante el almacenamiento en invierno.

- Desconecte la manguera de jardín de la máquina.
- Enrolle la manguera de alta presión.
- Limpie la carcasa y los componentes de plástico con un paño húmedo y suave.
- Asegúrese de que la máquina no tenga piezas sueltas o dañadas. Si es necesario, siga estos pasos/estas instrucciones:
 - sustituya las piezas dañadas.
 - apriete los pernos.
 - hable con una persona de un centro de servicio aprobado.
- Almacene la máquina en un lugar seco, aislado y donde no hiele.

15 SOLUCIÓN DE PROBLEMAS

PROBLEMA	POSIBLE CAUSA	SOLUCIÓN
El motor no se pone en marcha.	El interruptor de encendido está desconectado.	Sítue el interruptor de encendido en la posición "ON" ().
	No ha instalado la batería.	Instale la batería.
	El interruptor de encendido está activado, pero no ha apretado el gatillo de la pistola.	Apriete el gatillo de la pistola.
La máquina no alcanza alta presión.	El diámetro de la manguera de jardín es demasiado pequeño.	Sustituya por una manguera de jardín de 1" (25 mm) o 5/8" (16 mm).
	La manguera de jardín está obstruida.	Asegúrese de que la manguera de jardín no tenga ninguna obstrucción.
	El suministro de agua es insuficiente.	Abra totalmente el suministro de agua.
	No ha instalado la boquilla en la varilla pulverizadora.	Instale la boquilla en la varilla pulverizadora.
	El filtro de entrada de agua está obstruido.	Limpie el filtro con agua templada.

PROBLEMA	POSIBLE CAUSA	SOLUCIÓN
La presión de salida varía entre alta y baja.	El suministro de agua es insuficiente.	Abra totalmente el suministro de agua. Asegúrese de que la manguera de jardín no está obstruida.
	La bomba absorbe aire.	<ol style="list-style-type: none"> 1. Asegúrese de que las mangueras y los racores no tengan daños. 2. Apague la máquina. 3. Apriete el gatillo de la pistola hasta que salga un flujo estable de agua por la boquilla.
	El filtro de entrada de agua está obstruido.	Limpie el filtro con agua templada.
	La batería se ha agotado.	Cargue la batería.
	La pistola, la manguera o la boquilla están calcificadas.	Haya funcionar con vinagre destilado en el depósito de detergente.

PROBLEMA	POSIBLE CAUSA	SOLUCIÓN			
El motor zumba, pero no puede poner en marcha la máquina.	La batería se ha agotado.	Cargue la batería.			
	Queda presión en el sistema.	<ol style="list-style-type: none"> 1. Detenga la máquina. 2. Apriete el gatillo de la pistola en la varilla pulverizadora para liberar la presión 3. Ponga en marcha la máquina. 			
	No ha utilizado la máquina durante un periodo de tiempo prolongado.	Hable con una persona de un centro de servicio aprobado.			
	Queda fricción en los componentes. Se escucha un zumbido.	<ol style="list-style-type: none"> 1. Desconecte el suministro de agua. 2. Encienda la máquina durante 2 o 3 segundos. 3. Repita el paso anterior varias veces. 			
	No hay agua.	<table border="1"> <tr> <td>El suministro de agua está desconectado.</td> <td>Conecte el suministro de agua.</td> </tr> <tr> <td>La manguera de jardín está obstruida.</td> <td>Asegúrese de que la manguera de jardín no tenga ninguna obstrucción.</td> </tr> </table>	El suministro de agua está desconectado.	Conecte el suministro de agua.	La manguera de jardín está obstruida.
El suministro de agua está desconectado.	Conecte el suministro de agua.				
La manguera de jardín está obstruida.	Asegúrese de que la manguera de jardín no tenga ninguna obstrucción.				

16 DATOS TÉCNICOS

Tensión nominal	60 V ===
Presión nominal	1800 PSI
Caudal nominal de agua	1.0 GPM
Temperatura máxima de entrada de agua	104°F (40°C)
Peso (sin batería)	17.6 lbs (8 kg)
Modelo de batería	LB6025/LB605/LB604/LB602 y otras series BAC
Modelo de cargador	CH60DP01/CH60R00/CAC801 y otras series CAC

17 GARANTÍA LIMITADA



Por la presente Greenworks garantiza este producto, al comprador original con el comprobante de compra, durante un periodo de cuatro (4) años frente a defectos en materiales, piezas o mano de obra. A su entera discreción Greenworks reparará o sustituirá cualquiera y todas las piezas que resulten ser defectuosas, con un uso normal, sin coste alguno para el cliente. Esta garantía es válida únicamente para unidades que se hayan utilizado para uso personal que no han sido arrendadas o alquiladas para uso industrial/comercial y cuyo mantenimiento se ha realizado de acuerdo con las instrucciones del manual del propietario suministrado con el producto nuevo.

ARTÍCULOS NO CUBIERTOS POR LA GARANTÍA:

1. Cualquier pieza que no funcione debido a mal uso, uso comercial, abuso, negligencia, accidente, mantenimiento inadecuado o alteración; o
2. La unidad, si no ha sido utilizada o mantenida de acuerdo con el manual del propietario; o
3. Desgaste normal, excepto en lo indicado a continuación;
4. Artículos de mantenimiento de rutina tales como lubricantes, afilado de cuchillas;
5. Deterioro normal del acabado exterior debido al uso o la exposición.

LÍNEA DE ASISTENCIA TELEFÓNICA:

Puede contactar con el servicio de garantía llamando a nuestra línea de asistencia telefónica gratuita, a 1-855-345-3934.

COSTES DE TRANSPORTE:

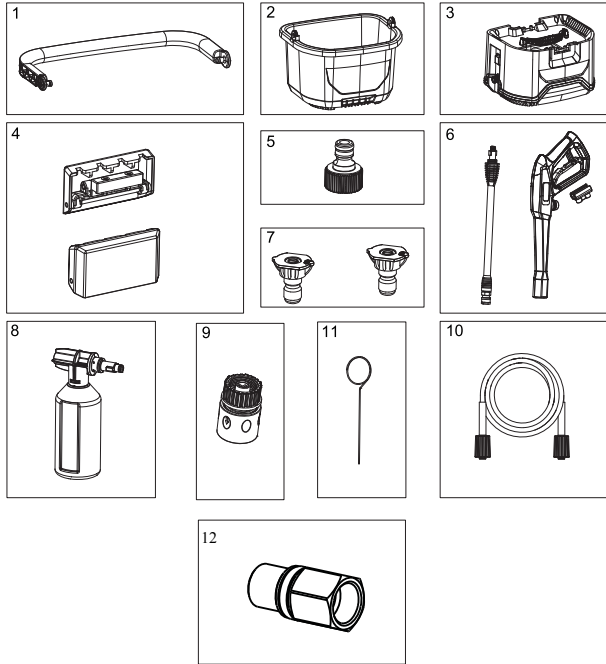
Los costes de transporte por el desplazamiento de cualquier unidad o accesorio de equipos eléctricos son responsabilidad del comprador. Es responsabilidad del comprador pagar los costes de transporte de cualquier pieza enviada para su sustitución bajo esta garantía, a menos que dicha devolución sea solicitada por escrito por Greenworks.

Dirección en EE.UU.:

Greenworks Tools
P.O. Box 1238
Mooresville, NC 28115

18 VISTA DESPIEZADA

ES



Nº	Nº pieza	Cant.	Descripción
1	R0200316-00	1	Asa del cubo
2	R0200317-00	1	Carcasa superior
3	R0200318-00	1	Carcasa inferior
4	R0200319-00	1	Cierre de bloqueo
5	R0200320-00	1	Conector de entrada de agua
6	R0200321-00	1	Pistola
7	R0200322-00	1	Boquilla
8	R0200323-00	1	Depósito de detergente
9	R0200324-00	1	Adaptador
10	R0200325-00	1	Manguera de alta presión
11	R0200326-00	1	Herramienta de limpieza
12	C1103056-00	1	Válvula de cebado

