

**greenworks**

**pro**<sup>TM</sup>

SN60L01  
SN60L6R1

ULTRAPOWER<sup>TM</sup>  
**60V**

EN

SNOW THROWER

OPERATOR MANUAL

ES

EQUIPO QUITANIEVE

MANUAL DEL OPERADOR



**SNC403**

[www.greenworkstools.com](http://www.greenworkstools.com)



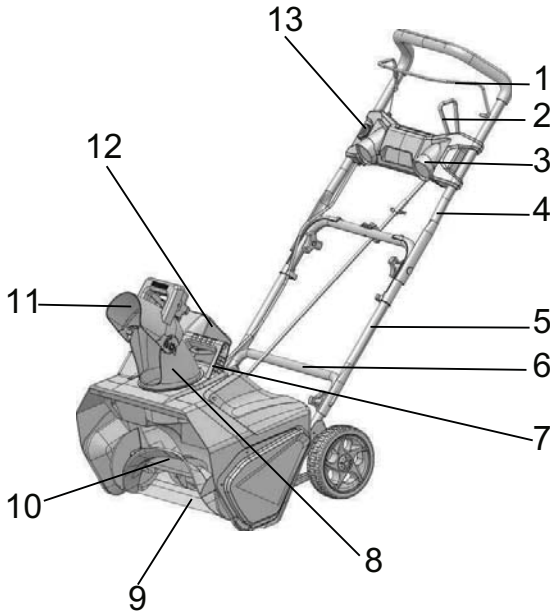
<b>1</b>	<b>Description.....</b>	<b>4</b>	7.5	Install the chute control rod.....	8
1.1	Purpose.....	4	7.6	Install the battery pack.....	8
1.2	Overview.....	4	7.7	Install the battery pack.....	9
<b>2</b>	<b>General power tool safety</b>		<b>8</b>	<b>Operation.....</b>	<b>9</b>
	<b>warnings.....</b>	<b>4</b>	8.1	Cold weather operation.....	9
2.1	Training.....	4	8.2	Start the machine.....	9
2.2	Preparation.....	4	8.3	Stop the machine.....	9
2.3	Operation.....	5	8.4	Adjust the discharge chute.....	10
2.4	Maintenance.....	5	8.5	Adjust the chute deflector.....	10
2.5	Recommended ambient temperature range:.....	5	8.6	LED headlights.....	10
<b>3</b>	<b>Symbols on the product.....</b>	<b>6</b>	8.7	Operation tips.....	10
<b>4</b>	<b>Risk levels.....</b>	<b>6</b>	<b>9</b>	<b>Maintenance.....</b>	<b>10</b>
<b>5</b>	<b>Environmentally safe battery</b>		9.1	General maintenance.....	11
	<b>disposal.....</b>	<b>6</b>	9.2	Replace the scraper.....	11
<b>6</b>	<b>Proposition 65.....</b>	<b>7</b>	9.3	Replace the impeller.....	11
<b>7</b>	<b>Installation.....</b>	<b>7</b>	9.4	Store the machine.....	12
7.1	Unpack the machine.....	7	<b>10</b>	<b>Troubleshooting.....</b>	<b>12</b>
7.2	Install the middle handle.....	7	<b>11</b>	<b>Technical data.....</b>	<b>13</b>
7.3	Install the upper handle.....	8	<b>12</b>	<b>Limited warranty.....</b>	<b>13</b>
7.4	Install the chute deflector.....	8	<b>13</b>	<b>Exploded view.....</b>	<b>14</b>

## 1 DESCRIPTION

### 1.1 PURPOSE

This machine is used to remove and clear away snow from sidewalks, driveways and other paved ground-level surfaces.

### 1.2 OVERVIEW



1	Bail level
2	Chute control rod
3	LED lights
4	Upper handle
5	Middle handle
6	Lower handle
7	Carrying or lift handle
8	Discharge chute
9	Scraper
10	Impeller
11	Chute deflector
12	Battery door
13	Safety switch button

## 2 GENERAL POWER TOOL SAFETY WARNINGS

### ▲ WARNING

Read all safety warnings and all instructions. Failure to follow the warnings and instructions may result in electric shock, fire and/or serious injury.

Save all warnings and instructions for future reference.

The term “power tool” in the warnings refers to your battery-operated (cordless) power tool.

## 2.1 TRAINING

- Do not allow children under the age of 14 to operate this tool. Children who are 14 years of age or older must read and understand the operating instructions and safety rules in this manual and must be trained and supervised by a parent.
- Read the operating and service instruction manual carefully. Be thoroughly familiar with the controls and the proper use of the power tool. Know how to stop the unit and disengage the controls quickly.
- Never allow children to operate the power tool. Never allow adults to operate the power tool without proper instruction.
- Keep the area of operation clear of all persons, particularly small children, and pets.
- Exercise caution to avoid slipping or falling, especially when operating in reverse.
- Do not use on graveled surfaces.
- Dress Properly – Do not wear loose clothing or jewelry. They can be caught in moving parts.
- Wear appropriate boots when operating the snow thrower.
- Operation of the snow thrower in the hand-held position is unsafe, except in accordance with the special instructions for such use provided in the operator’s manual.

## 2.2 PREPARATION

- Thoroughly inspect the area where the power tool is to be used and remove all doormats, sleds, boards, wires, and other foreign objects.
- Do not operate the power tool without wearing adequate winter garments. Wear footwear, which will improve footing on slippery surfaces.
- Adjust the housing height to clear gravel or crushed rock surface.
- Never attempt to make any adjustments while the machine is running (except where specifically recommended by manufacturer).
- Always wear safety glasses or eye shields during operation or while performing an adjustment or repair to protect eyes from foreign objects that may be thrown from the machine.
- Prevent unintentional starting. Ensure the switch is in the off-position before connecting to battery pack, picking up or carrying the appliance. Carrying the appliance with your finger on the switch or energizing appliance that have the switch on invites accidents.
- Disconnect the battery pack from the appliance before making any adjustments, changing accessories, or storing appliance. Such preventive safety measures reduce the risk of starting the appliance accidentally.
- When battery pack is not in use, keep it away from other metal objects, like paper clips, coins, keys, nails, screw or other small metal objects, that can make a connection from one terminal to another. Shorting the battery terminals together may cause burns or a fire.

## 2.3 OPERATION

- Do not put hands or feet near or under rotating parts. Keep clear of the discharge opening at all times.
- Exercise extreme caution when operating on or crossing gravel drives, walks, or roads. Stay alert for hidden hazards or traffic.
- After striking a foreign object, turn the machine off and remove the battery pack, and then inspect it for damage. Repair any damage before restarting and using the machine.
- If the power tool should start to vibrate abnormally, stop the machine and check immediately for the cause. Vibration is generally a warning of trouble.
- Stop the machine whenever you leave the operating position, before unclogging the collector/impeller housing or discharge guide, and when making any repairs, adjustments, or inspections.
- When cleaning, repairing, or inspecting, make certain the collector/impeller and all moving parts have stopped.
- Exercise extreme caution when operating on slopes.
- Never operate the snow thrower without proper guards, keep other safety protective devices in place and working.
- Never direct the discharge toward people or areas where property damage can occur. Keep children and others away.
- Don't Overreach – Keep proper footing and balance at all times.
- Do not overload the machine capacity by attempting to clear snow at too fast a rate.
- Don't Force Snow Thrower – It will perform better and safer at the rate for which it was designed.
- Never operate the power tool at high transport speeds on slippery surfaces. Use care when reversing.
- Never direct discharge at bystanders or allow anyone in front of the power tool.
- Disengage power to the collector/impeller when the power tool is transported or not in use.
- Use only attachments and accessories approved by the manufacturer of the snow thrower (such as wheel weights, counterweights, or cabs).
- Never operate the power tool without good visibility or light. Always be sure of your footing, and keep a firm hold on the handles.
- Walk, never run.
- Clearing a Clogged Discharge Chute.
- Hand contact with the rotating impeller inside the discharge chute is the most common cause of injury associated with snow throwers. Never use your hand to clean out the discharge chute. To clear the chute:
  1. SHUT THE ENGINE (Motor) OFF!
  2. Wait 10 seconds to be sure the impeller blades have stopped rotating.
  3. Always use a clean-out tool, not your hands.
- If the snow thrower strikes a foreign object follow these steps:

1. Stop snow thrower. Release the switch.
2. Remove the battery pack.
3. Inspect for damage.
4. Repair any damage before restarting and operating the snow thrower.

## 2.4 MAINTENANCE

- Check shear bolts; engine-mounted bolt, etc., at frequent intervals for proper tightness to be sure the power tool is in safe working condition.
- Always refer to owner's guide instructions for important details if the power tool is to be stored for an extended period.
- Store Idle Snow throwers Indoors – When not in use, snow throwers should be stored indoors in a dry, locked-up place – out of reach of children.
- Run the power tool a few minutes after throwing snow to prevent freeze-up of the collector/impeller.
- Do not use a battery pack or appliance that is damaged or modified. Damaged or modified batteries may exhibit unpredictable behavior resulting in fire, explosion or risk of injury.
- Do not expose a battery pack or appliance to fire or excessive temperature space. Exposure to fire or temperature above 265°F (130°C) may cause explosion.
- Follow all charging instructions and do not charge the battery pack or appliance outside of the temperature range specified in the instructions. Charging improperly or at temperatures outside of the specified range may damage the battery and increase the risk of fire.
- Have servicing performed by a qualified repair person using only identical replacement parts. This will ensure that the safety of the product is maintained.
- Do not modify or attempt to repair the appliance or the battery pack (as applicable) except as indicated in the instructions for use and care.
- Maintain Snow Thrower with care - follow instructions for changing accessories.

## 2.5 RECOMMENDED AMBIENT TEMPERATURE RANGE:

Item	Temperature
Snow Thrower storage temperature range	1.4 °F (-17 °C) ~ 113 °F (45 °C)
Snow Thrower operation temperature range	1.4 °F (-17 °C) ~ 113 °F (45 °C)
Battery charging temperature range	39 °F (4 °C) ~ 104 °F (40 °C)
Charger operation temperature range	39 °F (4 °C) ~ 104 °F (40 °C)
Battery discharging temperature range	1.4 °F (-17 °C) ~ 113 °F (45 °C)

Item	Temperature
Battery storage temperature range	32 °F (0 °C) ~ 113 °F (45 °C)

### 3 SYMBOLS ON THE PRODUCT

Some of the following symbols may be used on this tool. Please study them and learn their meaning. Proper interpretation of these symbols will allow you to operate the tool better and safer.

Symbol	Explanation
	Direct current
	Precautions that involve your safety.
	Read and understand all instructions before operating the product, and follow all warnings and safety instructions.
	Wear eye protection.
	Thrown objects can ricochet and result in personal injury or property damage. Wear protective clothing and boots.
	Keep bystanders a safe distance from the machine.
	Keep hands away from the discharge area.
	Stay away from moving parts. Keep all guards and shields in place.
	Keep feet out of impeller. Keep feet away from rotating impeller.
	Stop the motor and remove the battery before leaving the product.

### 4 RISK LEVELS

The following signal words and meanings are intended to explain the levels of risk associated with this product.

SYM-BOL	SIGNAL	MEANING
	DANGER	Indicates an imminently hazardous situation, which, if not avoided, will result in death or serious injury.

SYM-BOL	SIGNAL	MEANING
	WARNING	Indicates a potentially hazardous situation, which, if not avoided, could result in death or serious injury.
	CAUTION	Indicates a potentially hazardous situation, which, if not avoided, may result in minor or moderate injury.
	CAUTION	(Without Safety Alert Symbol) Indicates a situation that may result in property damage.

### 5 ENVIRONMENTALLY SAFE BATTERY DISPOSAL



The toxic and corrosive materials below are in the batteries used in this machine: **Lithium-Ion, a toxic material.**

**⚠ WARNING**

Discard all toxic materials in a specified manner to prevent contamination of the environment. Before discarding damaged or worn out Li-ion battery, contact your local waste disposal agency, or the local Environmental Protection Agency for information and specific instructions. Take the batteries to a local recycling and/or disposal center, certified for lithium-ion disposal.

**▲ WARNING**

If the battery pack cracks or breaks, with or without leaks, do not recharge it and do not use. Discard it and replace with a new battery pack. **DO NOT TRY TO REPAIR IT!** To prevent injury and risk of fire, explosion, or electric shock, and to avoid damage to the environment:

- Cover the terminals of the battery with heavy-duty adhesive tape.
- **DO NOT** try to remove or destroy any of the battery pack components.
- **DO NOT** try to open the battery pack.
- If a leak develops, the released electrolytes are corrosive and toxic. **DO NOT** get the solution in the eyes or on skin, and do not swallow it.
- **DO NOT** put these batteries in your regular household trash.
- **DO NOT** incinerate.
- **DO NOT** put them where they will become part of any waste landfill or municipal solid waste stream.
- Take them to a certified recycling or disposal center.

**6 PROPOSITION 65****▲ WARNING**

This product contains a chemical known to the state of California to cause cancer, birth defects or other reproductive harm. Some dust created by power sanding, sawing, grinding, drilling, and other construction activities contains chemicals known to cause cancer, birth defects or other reproductive harm. Some examples of these chemicals are:

- Lead from lead-based paints;
- Crystalline silica from bricks and cement and other masonry products;
- Arsenic and chromium from chemically treated lumber.

Your risk of exposure to these chemicals varies depending on how often you do this type of work. To reduce your exposure to these chemicals, work in a well-ventilated area, and work with approved safety equipment, such as dust masks that are specially designed to filter out microscopic particles.

Save these instructions.

**7 INSTALLATION****▲ WARNING**

Do not change or make accessories that are not recommended by the manufacturer.

**▲ WARNING**

Do not put in the safety key or the battery pack until you assemble all the parts.

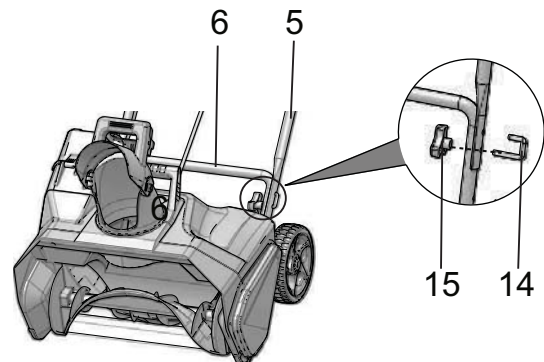
**7.1 UNPACK THE MACHINE****▲ WARNING**

Make sure that you correctly assemble the machine before use.

**▲ WARNING**

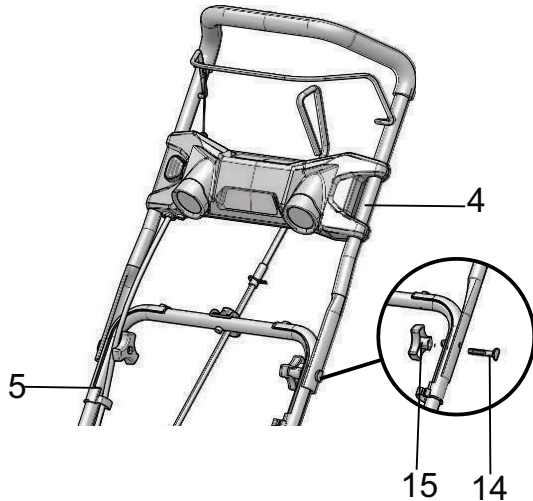
- If the parts are damaged, do not use the machine.
- If you do not have all the parts, do not operate the machine.
- If the parts are damaged or missing, speak to the service center.

1. Open the package.
2. Read the documentation in the box.
3. Remove all the unassembled parts from the box.
4. Remove the machine from the box.
5. Discard the box and package in compliance with local regulations.

**7.2 INSTALL THE MIDDLE HANDLE**

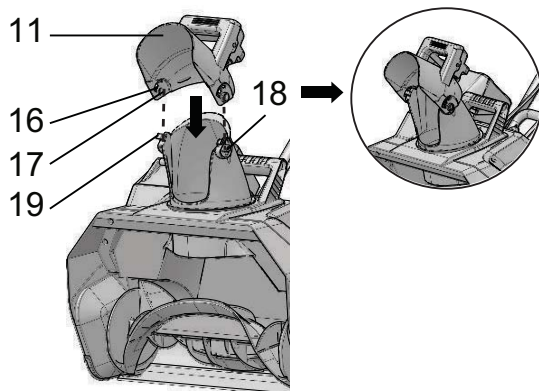
1. Align the holes in the middle handle (5) and the lower handle (6).
2. Put the bolts (14) through the middle handle (5) and the lower handle (6).
3. Tighten the handle knob (15) onto the bolt (14).
4. Repeat for left/right side.

### 7.3 INSTALL THE UPPER HANDLE



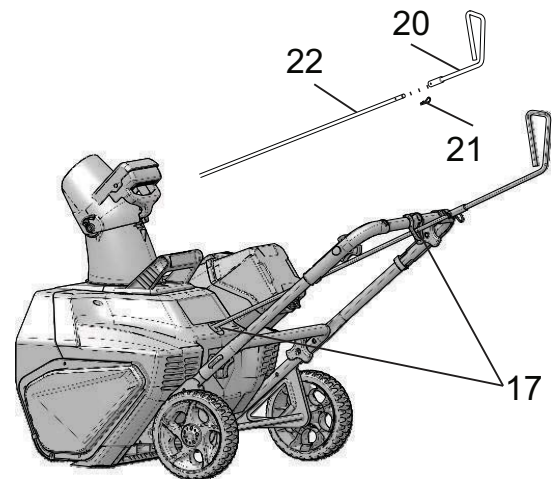
1. Align the holes in the middle handle (5) and the upper handle (4).
2. Insert the bolt (14) through the middle handle (5) and upper handle (4).
3. Tighten the handle knob (15) onto the bolt (14).
4. Repeat for left/right side.

### 7.4 INSTALL THE CHUTE DEFLECTOR



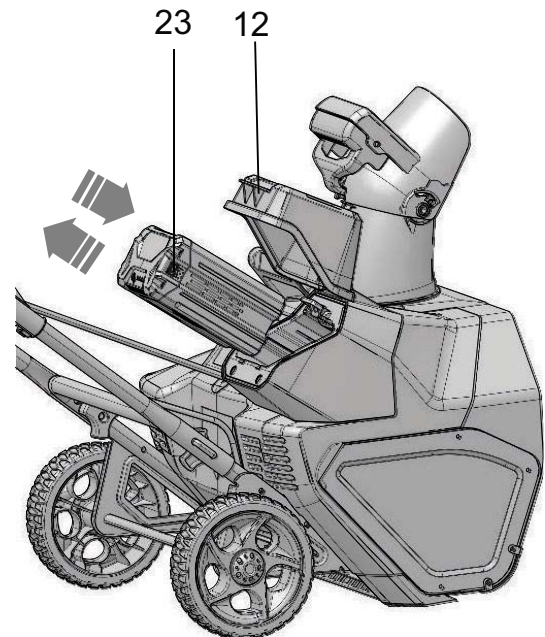
1. Align the tabs (18) on to the slots (16) on one side first.
2. Once you have engaged one tab on one slot push until you hear a click. Repeat on other side.
3. Push the chute deflector (11).
4. Make sure that the tabs (18) engage the slots (16) on the two sides.
5. Make sure that the posts (19) engage the holes (17) on the two sides.

### 7.5 INSTALL THE CHUTE CONTROL ROD



1. Align the holes (17) in the upper chute control rod (20) and lower chute control rod (22).
2. Put the hitch pin (21) through the holes (17).
3. Align the arrows in the discharge chute and snow thrower deck. Make sure the discharge chute faces forward.
4. Put the end of the chute control rod (2) straight through the hole(6) in the bracket. Keep the grip handle down.
5. Push the chute control rod (2) into the hole (17) behind the deck.
6. Turn the grip handle left and right to make sure that the discharge chute moves in the same direction.

### 7.6 INSTALL THE BATTERY PACK





**▲ WARNING**

- If the battery pack or charger is damaged, replace the battery pack or the charger.
- Stop the machine and wait until the engine stops before you install or remove the battery pack.
- Read, know, and do the instructions in the battery and charger manual.

1. Open the battery door (12).
2. Align the lift ribs on the battery pack (23) with the grooves in the battery compartment.
3. Push the battery pack (23) into the battery compartment until the battery pack (23) locks into place.
4. When you hear a click, the battery pack is installed.
5. Close the battery door (12).

**7.7 INSTALL THE BATTERY PACK****▲ WARNING**

- If the battery pack or charger is damaged, replace the battery pack or the charger.
- Stop the machine and wait until the engine stops before you install or remove the battery pack.
- Read, know, and do the instructions in the battery and charger manual.

1. Open the battery door (12).
2. Align the lift ribs on the battery pack (23) with the grooves in the battery compartment.
3. Push the battery pack (23) into the battery compartment until the battery pack (23) locks into place.
4. When you hear a click, the battery pack is installed.
5. Close the battery door (12).

**8 OPERATION****▲ WARNING**

Wear eye protection during operation.

**8.1 COLD WEATHER OPERATION**

The safe battery operation temperature ranges from 1°F (-17°C) to 113°F (45°C).

**▲ WARNING**

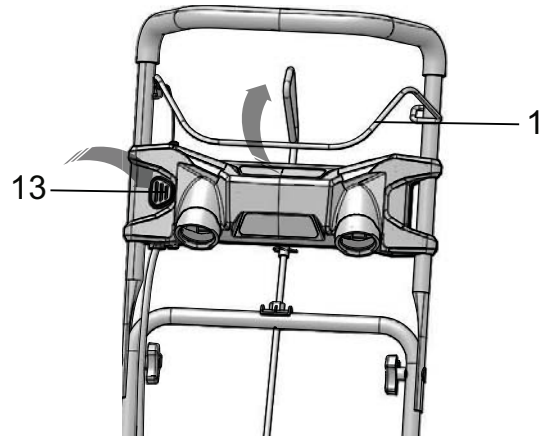
Do not store or charge battery outside.

Battery must be charged and stored indoors prior to use of the machine.

If the machine does not start:

- remove the battery pack from the machine,
- charge the battery pack to 15 minutes in warm area, or when the charging light turns green.

- Install the battery pack back in the unit.

**8.2 START THE MACHINE**

1. While holding the safety switch button (13), pull the bail lever (1) to start the machine.

**i NOTE**

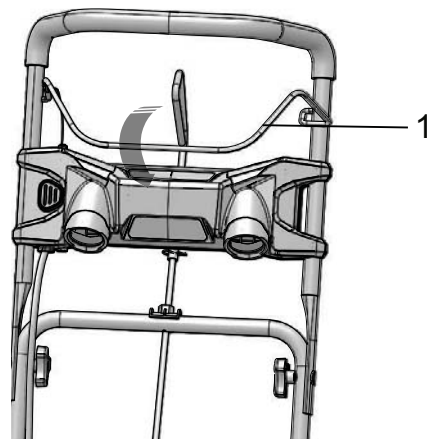
Lower the scraper to the ground to remove the snow.

**▲ WARNING**

Keep bystanders a safe distance from the machine.

**▲ WARNING**

Examine the work area. Remove all stones, sticks, wire, bones, and other debris that can ricochet because of the rotating impeller.

**8.3 STOP THE MACHINE**

1. Release the bail lever (1) to stop the machine.

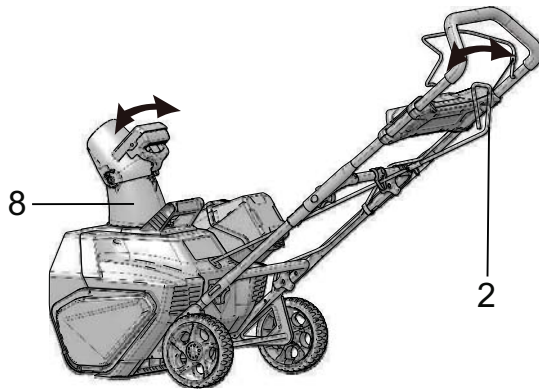
**▲ WARNING**

Wait until the impeller fully stops before you start the machine again. Do not quickly turn the machine off and on.

**▲ WARNING**

Remove the battery pack after you complete the work.

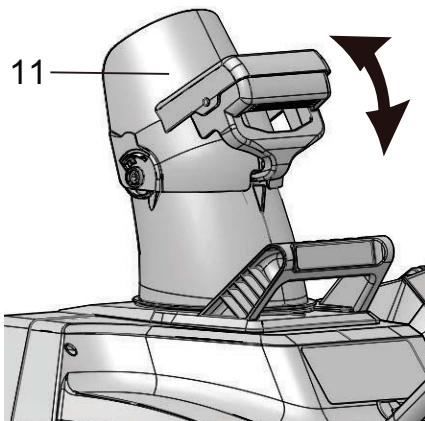
## 8.4 ADJUST THE DISCHARGE CHUTE



You can adjust the discharge chute 180° to change the snow direction.

1. Turn the grip handle (2) left to move the discharge chute (8) to the left.
2. Turn the grip handle (2) right to move the discharge chute (8) to the right.

## 8.5 ADJUST THE CHUTE DEFLECTOR



You can adjust the chute deflector up and down to change the throwing distance of the snow.

### ▲ WARNING

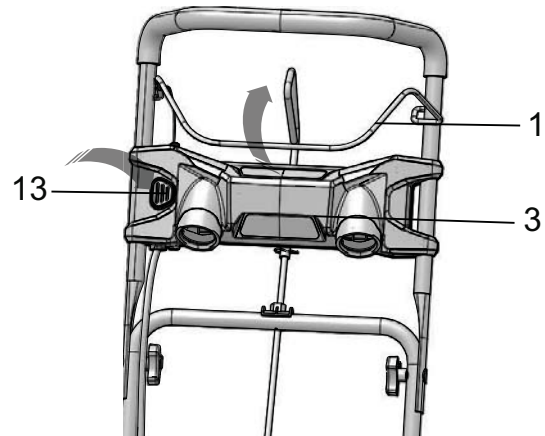
Release the bail switch before you adjust the chute deflector.

### ▲ WARNING

Do not push the deflector so far forward that a gap shows between the deflector and the chute.

1. Push and hold the trigger on the chute deflector (11).
2. Move the chute deflector (11) up to increase the snow distance.
3. Move the chute deflector (11) down to decrease the snow distance.

## 8.6 LED HEADLIGHTS



### Turning the headlights on :

1. Push and hold the safety switch button (13).
2. Pull the bail switch (1) in the direction of the handle bar to turn the headlights (3) on.

### Turning the headlights off :

3. Release the bail switch (1).

## 8.7 OPERATION TIPS

- If it is possible, clear the snow with the direction of the wind.
- In strong winds, lower the chute deflector to direct the snow to the ground.
- When you complete the work, let the machine operate for a while to prevent ice formation in the discharge chute.
- If the snow is deeper than 8", decrease the speed and let the machine work at its own rhythm.
- Do not use the scraper to remove compact snow and ice.

## 9 MAINTENANCE

### ▲ WARNING

Remove the battery pack from the machine before maintenance.

### ▲ CAUTION

Use only approved replacement parts.

### ▲ CAUTION

Do not let brake fluids, gasoline, petroleum-based materials touch the plastic parts. Chemicals can cause damage to the plastic, and make the plastic unserviceable.

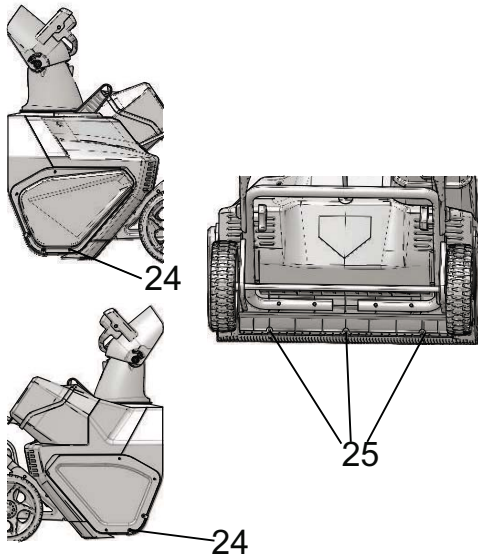
### ▲ CAUTION

Do not use strong solvents or detergents on the plastic housing or components.

### 9.1 GENERAL MAINTENANCE

- Before each use, examine the machine for damaged, missing, or loose parts such as screws, nuts, bolts and caps.
- Tighten all the fasteners and caps correctly.
- Clean the remaining snow on the machine with a brush.

### 9.2 REPLACE THE SCRAPER



**▲ WARNING**  
Use only approved replacement scrapers.

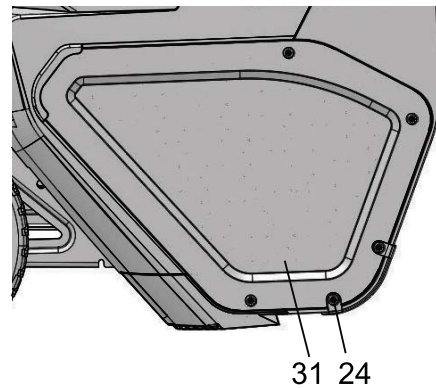
**▲ WARNING**  
Wear heavy gloves or wind cloth around the blade when you touch the blade.

1. Remove the screws (24) from each side plate.
2. Remove the mounting screws (25) and spacers and discard the old scraper.
3. Install the new scraper.
4. Reinstall the mounting screws (25) and spacers and tighten them.

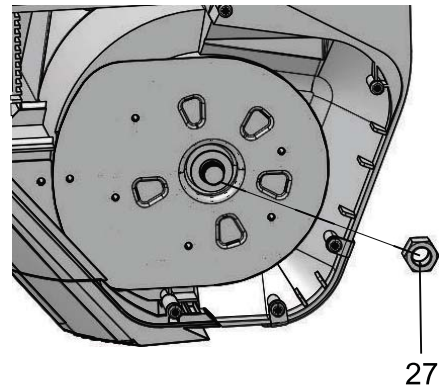
### 9.3 REPLACE THE IMPELLER

**▲ WARNING**  
Use only approved replacement scrapers.

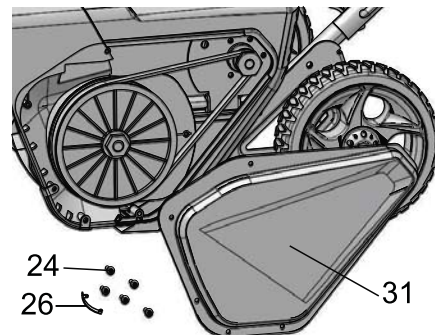
1. Remove the 5 screws (24) and side wear pad (26) that secure the right side cover (31).



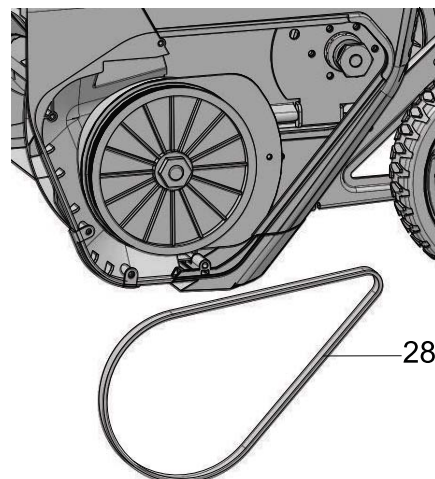
2. Remove the nut (27).



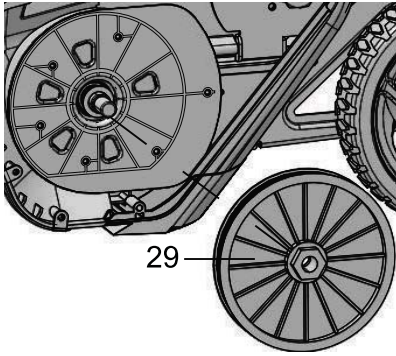
3. Remove the 5 screws (24) and side wear pad (26) that secure the left side cover (31).



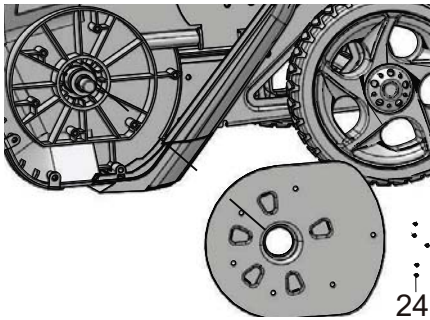
4. Remove the belt (28).



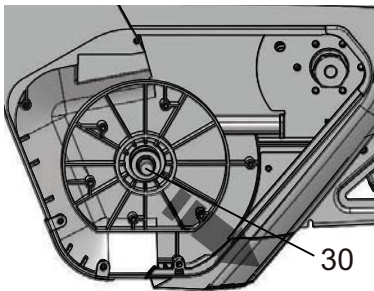
5. Using a socket wrench, remove the large pulley (29).



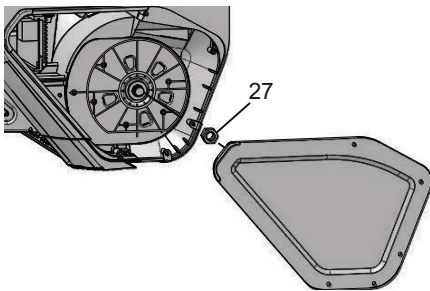
6. Remove the screws (24) that secure the left side plate.



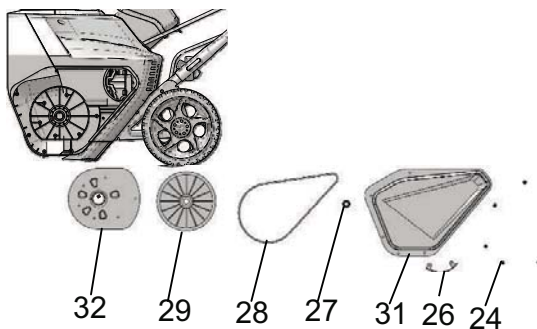
7. Pull the axle (30) and remove the old impeller, install the new impeller.



8. Reinstall the nut (27) and right side cover.



9. Reinstall the left side plate (32), large pulley (29), belt (28) and left side cover (31).



### 9.4 STORE THE MACHINE

- Clean the machine before storage.
- Make sure the motor is not hot when you store the machine.
- Make sure that the machine does not have loose or damaged parts. If it is necessary, do these steps/ instructions:
  - Replace the damaged parts.
  - Tighten the bolts.
  - Speak to a person at an approved service center.
- Store the machine in a dry area.
- Make sure that children cannot come near the machine.

### 10 TROUBLESHOOTING

Problem	Possible cause	Solution
The handle is not in position.	The bolts are not engaged correctly.	Adjust the height of the handle and make sure that the knobs and bolts are aligned correctly.
The machine does not start.	The battery is not charged.	Charge the battery by following the procedures in the battery and charger manual.
	The switch is defective.	Have the switch replaced by an authorized service center.
	Battery is too cold.	Remove battery from snow thrower. Place battery on charger and allow to charge for 10 minutes or until the changing light turns green. Remove from charger and install in snow thrower for use.
	Battery may require service or replacement.	Call toll free help-line, at 1-855-345-3934 or replace battery.
The engine is on, but the impeller does not turn.	The belt is damaged.	Replace the belt.
A thin layer of snow stays behind.	The scraper is damaged.	Replace the scraper.

\* If you cannot find the solution to these problems, call 1-855-345-3934.

## 11 TECHNICAL DATA

Voltage	60 V
No load speed	1800 RPM
Clearing width	20 in. (50.8 cm)
Clearing depth	10 in. (25.4 cm)
Impeller size	16 in. (40.6 cm)
Weight (without battery pack)	34.4 lbs (15.6 kg)
Battery	LB602/LB6025/LB603/ LB604/LB605/LB606 and other BAC series
Charger	CAC801/CH60DP01/ CH60R00/60DPC10A and other CAC series

- Normal deterioration of the exterior finish due to use or exposure.

### HELPLINE:

Warranty service is available by calling our toll-free helpline, at 1-855-345-3934.

### TRANSPORTATION CHARGES:

Transportation charges for the movement of any power equipment unit or attachment are the responsibility of the purchaser. It is the purchaser's responsibility to pay transportation charges for any part submitted for replacement under this warranty unless such return is requested in writing by Greenworks.

### USA address:

Greenworks Tools  
P.O. Box 1238  
Mooresville, NC 28115

## 12 LIMITED WARRANTY

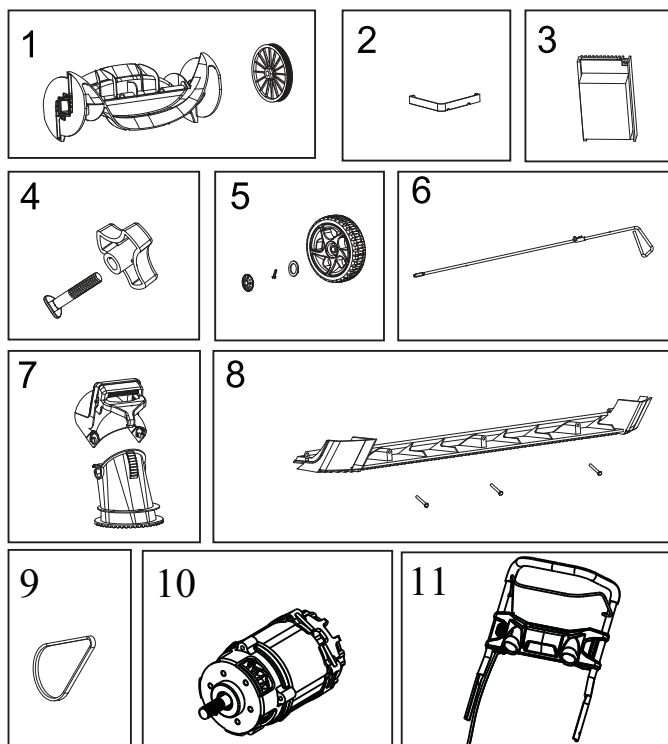


Greenworks hereby warrants this product, to the original purchaser with proof of purchase, for a period of four (4) years against defects in materials, parts or workmanship. Greenworks, at its own discretion will repair or replace any and all parts found to be defective, through normal use, free of charge to the customer. This warranty is valid only for units which have been used for personal use that have not been hired or rented for industrial/commercial use, and that have been maintained in accordance with the instructions in the owners' manual supplied with the product from new.

### ITEMS NOT COVERED BY WARRANTY:

- Any part that has become inoperative due to misuse, commercial use, abuse, neglect, accident, improper maintenance, or alteration; or
- The unit, if it has not been operated and/or maintained in accordance with the owner's manual; or
- Normal wear, except as noted below;
- Routine maintenance items such as lubricants, blade sharpening;

13 EXPLODED VIEW



No.	Part No.	Qty	Description
1	R0201935-00	1	Impeller assembly
2	R0200283-00	1	Weather bar
3	R0200285-00	1	PCB board
4	R0200284-00	2	Cam Lock Assembly
5	R0200165-00	2	Wheel Assembly
6	R0200166-00	1	Control Rod Assembly
7	R0200173-00	1	Chute Deflector Assembly
8	R0200282-00	1	Scraper Kit
9	R0201918-00	1	Belt
10	R0201936-00	1	Motor
11	R0201937-00	1	Upper handle assembly

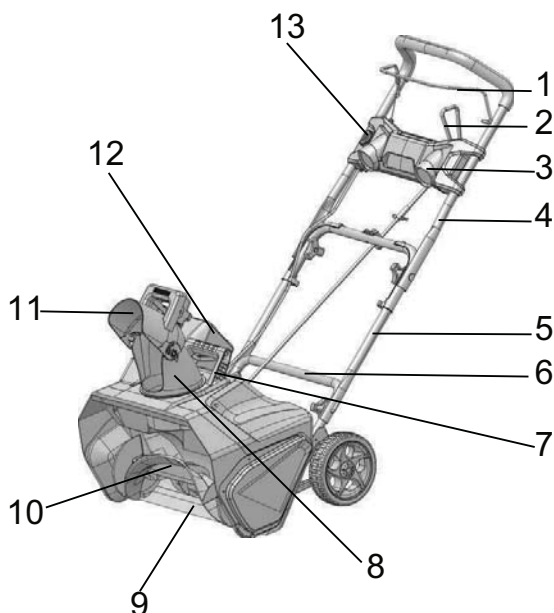
<b>1</b>	<b>Descripción.....</b>	<b>16</b>	7.4	Instalación del deflector del conducto.....	20
1.1	Finalidad.....	16	7.5	Instalación de la varilla de control del conducto.....	20
1.2	Perspectiva general.....	16	7.6	Instalación de la batería.....	21
<b>2</b>	<b>Advertencias generales de seguridad para herramientas eléctricas.....</b>	<b>16</b>	7.7	Instalación de la batería.....	21
2.1	Formación.....	16	<b>8</b>	<b>Funcionamiento .....</b>	<b>21</b>
2.2	Preparativos.....	16	8.1	Funcionamiento en condiciones de frío.....	21
2.3	Funcionamiento.....	17	8.2	Puesta en marcha de la máquina.....	21
2.4	Mantenimiento.....	17	8.3	Detención de la máquina.....	22
2.5	Intervalo de temperatura ambiente recomendado:.....	18	8.4	Ajuste del conducto de descarga.....	22
<b>3</b>	<b>Símbolos en el producto.....</b>	<b>18</b>	8.5	Ajuste del deflector del conducto.....	22
<b>4</b>	<b>Niveles de riesgo.....</b>	<b>18</b>	8.6	Luces delanteras LED.....	22
<b>5</b>	<b>Eliminación de batería segura para el medio ambiente.....</b>	<b>18</b>	8.7	Consejos de funcionamiento.....	23
<b>6</b>	<b>Propuesta 65.....</b>	<b>19</b>	<b>9</b>	<b>Mantenimiento.....</b>	<b>23</b>
<b>7</b>	<b>Instalación .....</b>	<b>19</b>	9.1	Mantenimiento general.....	23
7.1	Desembalaje de la máquina.....	19	9.2	Sustitución del rascador.....	23
7.2	Instalación del asa intermedia.....	20	9.3	Sustitución del rotor.....	23
7.3	Instalación del asa superior.....	20	9.4	Almacenamiento de la máquina.....	24
			<b>10</b>	<b>Solución de problemas.....</b>	<b>25</b>
			<b>11</b>	<b>Datos técnicos.....</b>	<b>25</b>
			<b>12</b>	<b>Garantía limitada.....</b>	<b>25</b>
			<b>13</b>	<b>Vista despiezada.....</b>	<b>26</b>

## 1 DESCRIPCIÓN

### 1.1 FINALIDAD

Esta máquina se utiliza para quitar y despejar la nieve de aceras, calzadas y otras superficies pavimentadas a nivel de suelo.

### 1.2 PERSPECTIVA GENERAL



- |    |                                    |
|----|------------------------------------|
| 1  | Palanca de seguridad               |
| 2  | Varilla de control del conducto    |
| 3  | Luces LED                          |
| 4  | Asa superior                       |
| 5  | Asa intermedia                     |
| 6  | Asa inferior                       |
| 7  | Asa de transporte o elevación      |
| 8  | Conducto de descarga               |
| 9  | Rascador                           |
| 10 | Rotor                              |
| 11 | Deflector del conducto             |
| 12 | Puerta de la batería               |
| 13 | Botón del interruptor de seguridad |

## 2 ADVERTENCIAS GENERALES DE SEGURIDAD PARA HERRAMIENTAS ELÉCTRICAS

### ▲ AVISO

Lea todas las advertencias de seguridad y todas las instrucciones. El incumplimiento de las advertencias e instrucciones puede provocar descargas eléctricas, incendios o lesiones graves.

Guarde todas las advertencias e instrucciones para su consulta posterior.

El término “herramienta eléctrica” empleado en las advertencias se refiere a su herramienta eléctrica con funcionamiento a batería (inalámbrica).

### 2.1 FORMACIÓN

- No permita que niños menores de 14 años utilicen esta herramienta. Los niños de 14 años o mayores deben leer y entender las instrucciones de funcionamiento y las normas de seguridad que se encuentran en este manual y deben recibir formación y supervisión por parte de uno de sus progenitores.
- Lea detenidamente el manual de instrucciones de funcionamiento y servicio. Familiarícese a fondo con los controles y el uso correcto de la herramienta eléctrica. Debe saber cómo detener la unidad y desacoplar los controles rápidamente.
- Nunca permita que los niños utilicen la herramienta eléctrica. Nunca permita que utilicen la herramienta eléctrica adultos sin la debida instrucción.
- Mantenga la zona de funcionamiento libre de cualquier persona, especialmente niños pequeños y mascotas.
- Tenga precaución para evitar resbalones o caídas, especialmente durante la utilización marcha atrás.
- No utilice sobre superficies de gravilla.
- Lleve indumentaria adecuada – No lleve ropa o joyas sueltas. Pueden quedar atrapadas en las piezas móviles.
- Lleve botas adecuadas al utilizar el quitanieves.
- El funcionamiento del quitanieves en la posición de mano no es seguro, excepto de acuerdo con las instrucciones especiales para dicho uso que se proporcionan en el manual del operario.

### 2.2 PREPARATIVOS

- Inspeccione exhaustivamente la superficie donde va a utilizarse la herramienta eléctrica y elimine todos los felpudos, trineos, planchas, cables y otros objetos extraños.
- No utilice la herramienta eléctrica sin llevar indumentaria adecuada de invierno. Lleve calzado, que mejorará el equilibrio en superficies resbaladizas.
- Ajuste la altura de la carcasa para dejar espacio en caso de superficies de grava o piedra triturada.
- Nunca intente realizar ningún ajuste mientras la máquina esté en funcionamiento (excepto cuando el fabricante lo recomiende específicamente).
- Lleve siempre gafas de seguridad o protectores oculares durante la utilización o al realizar un ajuste o una reparación para proteger los ojos de objetos extraños que puedan ser lanzados desde la máquina.
- Evite el arranque accidental. Asegúrese de que el interruptor esté en la posición de apagado antes de conectar a la batería y al coger o transportar el aparato. El transporte del aparato con el dedo en el interruptor o la



conexión de un aparato que tiene el interruptor activado fomenta los accidentes.

- Desconecte la batería del aparato antes de realizar ajustes, cambiar accesorios o almacenarlo. Estas medidas de seguridad preventivas reducen el riesgo de que el aparato se ponga en marcha accidentalmente.
- Cuando la batería no esté en uso, manténgala alejada de otros objetos metálicos como clips, monedas, llaves, clavos, tornillos u otros objetos metálicos pequeños que puedan hacer una conexión entre los terminales. El cortocircuito de los terminales de la batería puede provocar quemaduras o un incendio.

## 2.3 FUNCIONAMIENTO

- No ponga las manos ni los pies cerca o debajo de las piezas giratorias. Manténgase alejado en todo momento de la abertura de descarga.
- Extreme las precauciones al trabajar sobre o al cruzar senderos de grava, aceras o caminos. Esté alerta a los riesgos ocultos o al tráfico.
- Después de golpear un objeto extraño, apague la máquina y retire la batería, posteriormente inspecciónela para detectar daños. Repare los daños antes de volver a poner en marcha y utilizar la máquina.
- Si la herramienta eléctrica empieza a vibrar de manera anormal, detenga la máquina y compruebe de inmediato la causa. Normalmente la vibración es una advertencia de problemas.
- Detenga la máquina cada vez que abandone la posición de utilización, antes de desatascar la carcasa del colector/rotor o la guía de descarga, así como al realizar reparaciones, ajustes o inspecciones.
- Cuando limpie, repare o inspeccione, asegúrese de que el colector/rotor y todas las piezas en movimiento se hayan detenido.
- Extreme las precauciones cuando trabaje en pendientes.
- Nunca utilice el quitanieves sin las protecciones adecuadas, mantenga los demás dispositivos de protección de seguridad en su posición y en estado de funcionamiento.
- Nunca dirija la descarga hacia personas o zonas donde puedan producirse daños a la propiedad. Mantenga alejados a los niños y otras personas.
- No se estire – Mantenga en todo momento una postura adecuada y el equilibrio.
- No sobrecargue la capacidad de la máquina intentando quitar demasiada nieve a una velocidad demasiado rápida.
- No fuerce el quitanieves – Hará el trabajo mejor y con mayor seguridad a la velocidad para la que se diseñó.
- Nunca utilice la herramienta eléctrica a altas velocidades de transporte en superficies resbaladizas. Tenga cuidado al dar marcha atrás.
- Nunca dirija la descarga a los transeúntes ni permita que una persona se ponga delante de la herramienta eléctrica.
- Desconecte la alimentación del colector/rotor cuando la herramienta eléctrica se transporte o no esté en uso.

- Utilice únicamente accesorios aprobados por el fabricante del quitanieves (como pesos de ruedas, contrapesos o cabinas).
- Nunca utilice la herramienta eléctrica sin una buena visibilidad o luz. Asegúrese siempre de tener una posición estable y mantenga un agarre firme en las asas.
- Camine, no corra.
- Desobstrucción de un conducto de descarga.
- El contacto manual con el rotor giratorio dentro del conducto de descarga es la causa más común de lesiones asociadas con los quitanieves. Nunca utilice la mano para limpiar el conducto de descarga. Para desobstruir el conducto:
  1. ¡APAGUE EL MOTOR!
  2. Espere 10 segundos para asegurarse de que las palas del rotor hayan dejado de girar.
  3. Utilice siempre una herramienta de limpieza, no sus manos.
- Si el quitanieves golpea un objeto extraño siga estos pasos:
  1. Detenga el quitanieves. Suelte el interruptor.
  2. Retire la batería.
  3. Inspeccione si hay daños.
  4. Repare los daños antes de volver a poner en marcha y utilizar el quitanieves.

## 2.4 MANTENIMIENTO

- Compruebe los pernos de seguridad, los pernos de montaje del motor, etc., a intervalos frecuentes para garantizar un apriete adecuado y que la herramienta eléctrica esté en condiciones seguras de funcionamiento.
- Consulte siempre las instrucciones de la guía del propietario para obtener detalles importantes si la herramienta eléctrica debe almacenarse durante un periodo prolongado.
- Almacene los quitanieves inactivos en interior – Cuando no estén en uso, los quitanieves deben almacenarse en interiores, en un lugar a seco, cerrado y fuera del alcance de los niños.
- Haga funcionar la herramienta eléctrica unos minutos después de quitar nieve para evitar la congelación del colector/rotor.
- No utilice una batería o un aparato que haya sufrido daños o modificaciones. Las baterías dañadas o modificadas pueden exhibir un comportamiento impredecible que puede dar lugar a un incendio, una explosión o un riesgo de lesiones.
- No exponga una batería o un aparato al fuego ni a un espacio con temperatura excesiva. La exposición al fuego o a una temperatura superior a 265°F (130°C) puede provocar una explosión.
- Siga todas las instrucciones de carga y no cargue la batería o el aparato fuera del intervalo de temperatura especificado en las instrucciones. La carga incorrecta o a temperaturas fuera del intervalo especificado puede dañar la batería y aumentar el riesgo de incendio.

- Solicite a un técnico de reparación cualificado que realice las tareas de servicio utilizando únicamente piezas de repuesto idénticas. Esto garantizará el mantenimiento de la seguridad del producto.
- No modifique ni intente reparar el aparato o la batería (según corresponda), excepto lo indicado en las instrucciones de uso y cuidado.
- Mantenga el quitanieves con cuidado; siga las instrucciones para cambiar los accesorios.

## 2.5 INTERVALO DE TEMPERATURA AMBIENTE RECOMENDADO:

Elemento	Temperatura
Intervalo de temperatura de almacenamiento del quitanieves	1,4 °F (-17 °C) ~ 113 °F (45 °C)
Intervalo de temperatura de funcionamiento del quitanieves	1,4 °F (-17 °C) ~ 113 °F (45 °C)
Intervalo de temperatura de carga de la batería	39 °F (4 °C) ~ 104 °F (40 °C)
Intervalo de temperatura de funcionamiento del cargador	39 °F (4 °C) ~ 104 °F (40 °C)
Intervalo de temperatura de descarga de la batería	1,4 °F (-17 °C) ~ 113 °F (45 °C)
Intervalo de temperatura de almacenamiento de la batería	32 °F (0 °C) ~ 113 °F (45 °C)

## 3 SÍMBOLOS EN EL PRODUCTO

En esta herramienta pueden utilizarse algunos de los siguientes símbolos. Le rogamos que los estudie y aprenda su significado. La interpretación correcta de estos símbolos le permitirá manejar la herramienta mejor y de manera más segura.

Símbolo	Explicación
	Corriente continua
	Precauciones que afectan a su seguridad.
	Debe leer y entender todas las instrucciones antes de manejar el producto, así como seguir todas las advertencias e instrucciones de seguridad.
	Lleve protección ocular.
	Los objetos proyectados pueden rebotar y provocar lesiones personales o daños materiales. Lleve indumentaria de protección y botas.

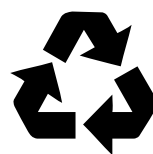
Símbolo	Explicación
	Mantenga a los transeúntes a una distancia segura de la máquina.
	Mantenga las manos alejadas de la zona de descarga.
	Manténgase alejado de las piezas móviles. Mantenga todas las protecciones en su posición.
	Mantenga los pies lejos del rotor. Mantenga los pies y las manos alejados del rotor giratorio.
	Detenga el motor y retire la batería antes de dejar el producto.

## 4 NIVELES DE RIESGO

Las siguientes indicaciones y significados tienen como fin explicar los niveles de riesgo asociados a este producto.

SÍMBOLO	INDICACIÓN	SIGNIFICADO
	PELIGRO	Indica una situación de peligro inminente que, de no evitarse, provocará lesiones graves o incluso la muerte.
	ADVERTENCIA	Indica una situación de peligro potencial que, de no evitarse, podría provocar lesiones graves o incluso la muerte.
	PRECAUCIÓN	Indica una situación de peligro potencial que, de no evitarse, puede provocar lesiones leves o moderadas.
	PRECAUCIÓN	(Sin símbolo de alerta sobre seguridad) Indica una situación que puede provocar daños materiales.

## 5 ELIMINACIÓN DE BATERÍA SEGURA PARA EL MEDIO AMBIENTE



Los materiales tóxicos y corrosivos que figuran a continuación se encuentran en las baterías utilizadas en esta máquina: **Ion de litio, un material tóxico.**

## ▲ AVISO

Deseche todos los materiales tóxicos de una manera especificada para evitar la contaminación del medio ambiente. Antes de desechar una batería de ion de litio dañada o agotada, contacte con la agencia local de eliminación de residuos o con la agencia de protección ambiental local para obtener información e instrucciones específicas. Lleve las baterías a un centro de reciclaje o eliminación local, certificado para la eliminación de ion de litio.

## ▲ AVISO

Si la batería se agrieta o se rompe, con o sin fugas, no la recargue ni la utilice. Deséchela y sustitúyala por una batería nueva. ¡NO INTENTE REPARARLA! Para evitar lesiones y riesgos de incendio, explosión o descarga eléctrica, y para evitar daños al medio ambiente:

- Cubra los terminales de la batería con cinta adhesiva resistente.
- NO intente retirar o destruir ninguno de los componentes de la batería.
- NO intente abrir la batería.
- Si se produce una fuga, los electrolitos liberados son corrosivos y tóxicos. NO deje que la solución entre en contacto con los ojos o la piel, y no la ingiera.
- NO deseche estas baterías con la basura doméstica normal.
- NO incinere.
- NO lleve las baterías a lugares donde formarán parte de vertederos de residuos o flujos de residuos sólidos urbanos.
- Llévelas a un centro de reciclaje o eliminación certificado.

## 6 PROPUESTA 65

### ▲ AVISO

Este producto contiene una sustancia química conocida en el estado de California como causante de cáncer, defectos de nacimiento u otros daños reproductivos. El polvo generado por el lijado eléctrico, el serrado, el esmerilado, la perforación y otras actividades de construcción contiene sustancias químicas que se sabe que son causantes de cáncer, defectos de nacimiento u otros daños reproductivos. Algunos ejemplos de estas sustancias químicas son:

- Plomo de pinturas con base de plomo;
- Sílice cristalina de ladrillos y cemento y otros productos de albañilería;
- Arsénico y cromo de la madera tratada químicamente.

El riesgo de exposición a estas sustancias químicas varía según la frecuencia con la que realice este tipo de trabajo. Para reducir su exposición a estas sustancias químicas, trabaje en una zona bien ventilada y trabaje con equipos de seguridad aprobados, como máscaras antipolvo, que estén especialmente diseñadas para filtrar partículas microscópicas.

**Conserve estas instrucciones.**

## 7 INSTALACIÓN

### ▲ AVISO

No cambie ni utilice accesorios que no sean los recomendados por el fabricante.

### ▲ AVISO

No coloque la llave de seguridad ni la batería hasta que no haya montado todas las piezas.

### 7.1 DESEMBALAJE DE LA MÁQUINA

### ▲ AVISO

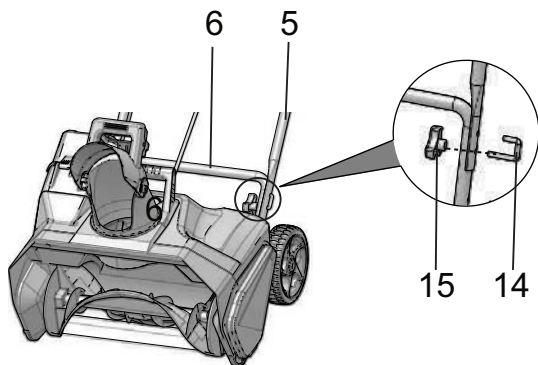
Asegúrese de montar correctamente la máquina antes del uso.

### ▲ AVISO

- Si las piezas presentan daños, no utilice la máquina.
- Si no tiene todas las piezas, no utilice la máquina.
- Si faltan piezas o hay piezas dañadas, hable con el centro de servicio.

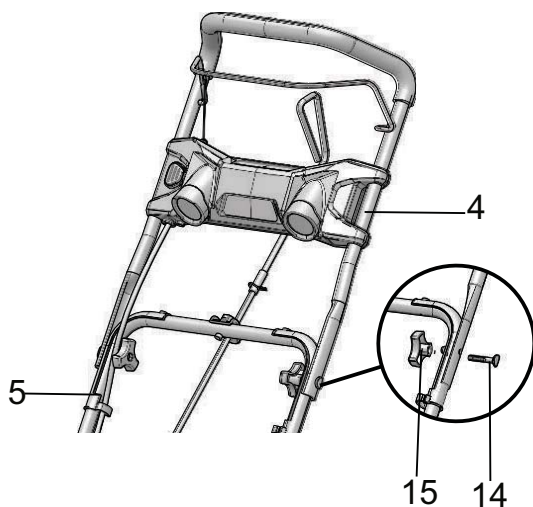
1. Abra el embalaje.
2. Lea la documentación que se encuentra en la caja.
3. Retire todas las piezas sin montar de la caja.
4. Retire la máquina de la caja.
5. Deseche la caja y el embalaje de conformidad con los reglamentos locales.

## 7.2 INSTALACIÓN DEL ASA INTERMEDIA



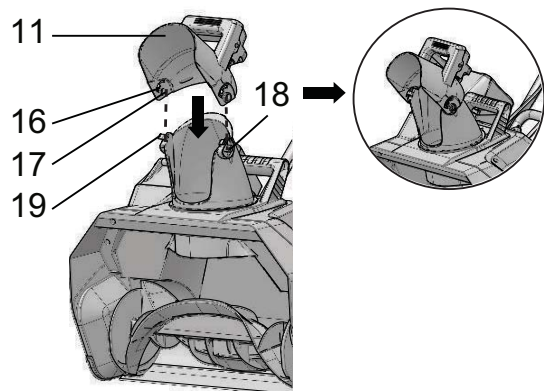
1. Alinee los orificios del asa intermedia (5) y el asa inferior (6).
2. Ponga los pernos (14) a través del asa intermedia (5) y el asa inferior (6).
3. Apriete el mando del asa (15) en el perno (14).
4. Repita para el lado izquierdo/derecho.

## 7.3 INSTALACIÓN DEL ASA SUPERIOR



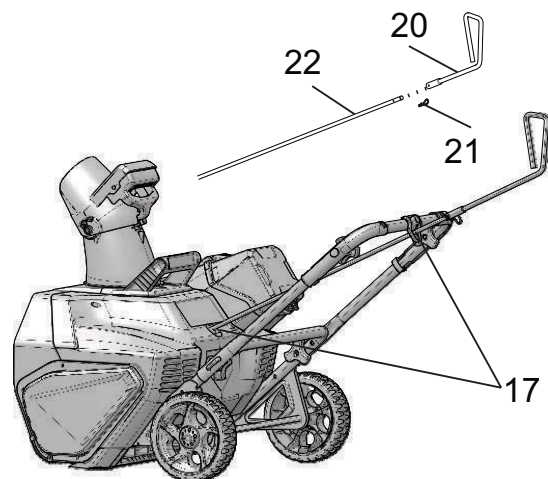
1. Alinee los orificios del asa intermedia (5) y el asa superior (4).
2. Inserte el perno (14) a través del asa intermedia (5) y el asa superior (4).
3. Apriete el mando del asa (15) en el perno (14).
4. Repita para el lado izquierdo/derecho.

## 7.4 INSTALACIÓN DEL DEFLECTOR DEL CONDUCTO



1. Alinee las pestañas (18) en las ranuras (16) primero en un lado.
2. Una vez que haya acoplado una pestaña en una ranura, empuje hasta que escuche un clic. Repita en el otro lado.
3. Introduzca el deflector del conducto (11).
4. Asegúrese de que las pestañas (18) encajen en las ranuras (16) a ambos lados.
5. Asegúrese de que los postes (19) encajen en los orificios (17) a ambos lados.

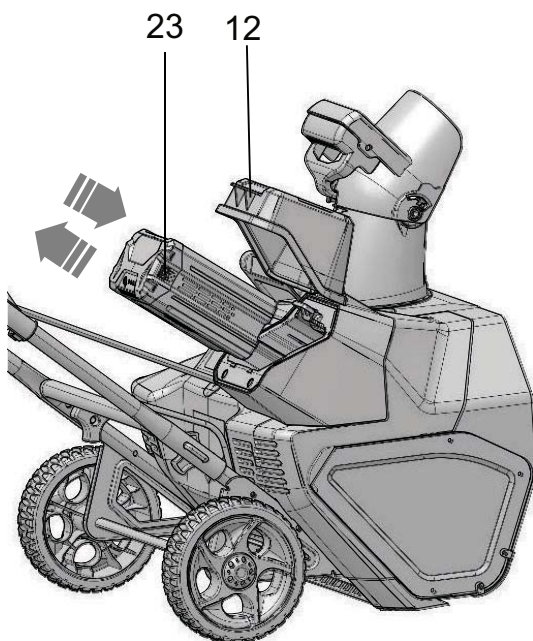
## 7.5 INSTALACIÓN DE LA VARILLA DE CONTROL DEL CONDUCTO



1. Alinee los orificios (17) en la varilla de control del conducto superior (20) y la varilla de control del conducto inferior (22).
2. Introduzca el pasador de enganche (21) por los orificios (17).
3. Alinee las flechas en el conducto de descarga y la plataforma del quitanieves. Asegúrese de que el conducto de descarga esté orientado hacia delante.
4. Coloque el extremo de la varilla de control del conducto (2) en línea recta a través del orificio (6) en el soporte. Mantenga el asa de agarre hacia abajo.
5. Introduzca la varilla de control del conducto (2) en el orificio (17) detrás de la plataforma.

- Gire el asa de agarre hacia la izquierda y la derecha para asegurarse de que el conducto de descarga se mueva en la misma dirección.

## 7.6 INSTALACIÓN DE LA BATERÍA



### ▲ AVISO

- Si la batería o el cargador ha sufrido daños, sustituya la batería o el cargador.
- Detenga la máquina y espere hasta que el motor se pare antes de instalar o retirar la batería.
- Debe leer, conocer y seguir las instrucciones del manual de la batería y el cargador.

- Abra la puerta de la batería (12).
- Alinee las nervaduras de elevación de la batería (23) con las ranuras del compartimento de la batería.
- Introduzca la batería (23) en el compartimento de la batería hasta que la batería (23) encaje en su posición.
- Cuando escuche un clic, la batería está instalada.
- Cierre la puerta de la batería (12).

## 7.7 INSTALACIÓN DE LA BATERÍA

### ▲ AVISO

- Si la batería o el cargador ha sufrido daños, sustituya la batería o el cargador.
- Detenga la máquina y espere hasta que el motor se pare antes de instalar o retirar la batería.
- Debe leer, conocer y seguir las instrucciones del manual de la batería y el cargador.

- Abra la puerta de la batería (12).
- Alinee las nervaduras de elevación de la batería (23) con las ranuras del compartimento de la batería.

- Introduzca la batería (23) en el compartimento de la batería hasta que la batería (23) encaje en su posición.
- Cuando escuche un clic, la batería está instalada.
- Cierre la puerta de la batería (12).

## 8 FUNCIONAMIENTO

### ▲ AVISO

Lleve protección ocular durante el funcionamiento.

### 8.1 FUNCIONAMIENTO EN CONDICIONES DE FRÍO

La temperatura de funcionamiento seguro de la batería varía de 1°F (-17°C) a 113°F (45°C).

### ▲ AVISO

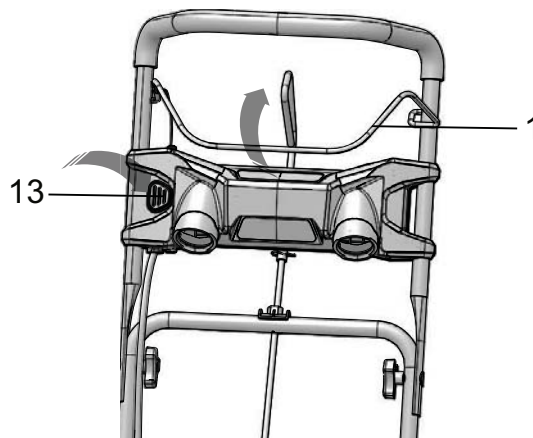
No almacene ni cargue la batería en el exterior.

La batería debe cargarse y almacenarse en interiores antes de utilizar la máquina.

Si el aparato no se pone en marcha:

- retire la batería de la máquina,
- cargue la batería por 15 minutos en una zona cálida, o cuando la luz de carga se ilumine en verde.
- Instale la batería de nuevo en el aparato.

### 8.2 PUESTA EN MARCHA DE LA MÁQUINA



- Mientras mantiene presionado el botón del interruptor de seguridad (13), tire de la palanca de seguridad (1) para arrancar la máquina.

### i NOTA

Baje el rascador al suelo para quitar la nieve.

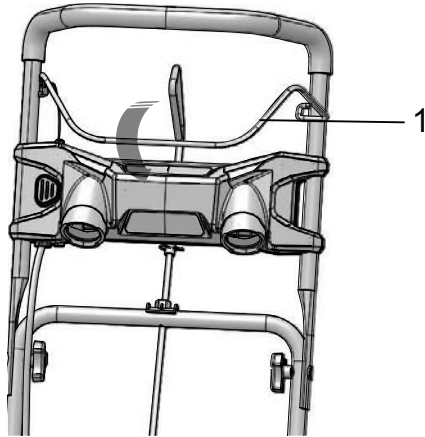
### ▲ AVISO

Mantenga a los transeúntes a una distancia segura de la máquina.

## ▲ AVISO

Examine la superficie de trabajo. Retire todas las piedras, palos, alambres, huesos y otros residuos que puedan rebotar debido al rotor giratorio.

### 8.3 DETENCIÓN DE LA MÁQUINA



1. Suelte la palanca de seguridad (1) para detener la máquina.

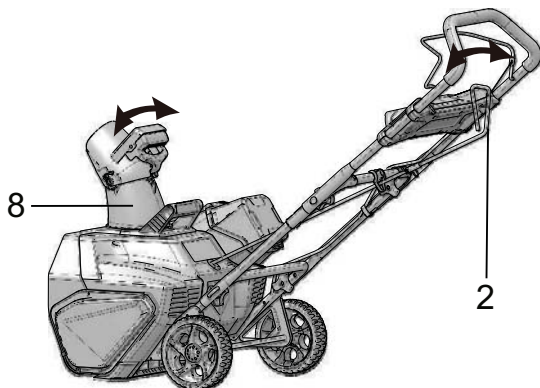
## ▲ AVISO

Espere hasta que el rotor se detenga por completo antes de volver a arrancar la máquina. No apague y encienda la máquina rápidamente.

## ▲ AVISO

Retire la batería tras finalizar el trabajo.

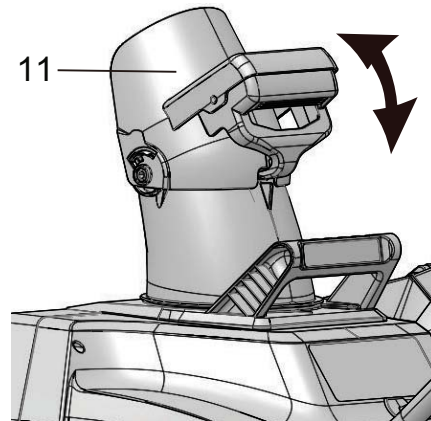
### 8.4 AJUSTE DEL CONDUCTO DE DESCARGA



Puede ajustar el conducto de descarga 180° para cambiar la dirección de la nieve.

1. Gire el asa de agarre (2) hacia la izquierda para mover el conducto de descarga (8) a la izquierda.
2. Gire el asa de agarre (2) hacia la derecha para mover el conducto de descarga (8) a la derecha.

### 8.5 AJUSTE DEL DEFLECTOR DEL CONDUCTO



Puede ajustar el deflector del conducto hacia arriba y abajo para cambiar la distancia de lanzamiento de la nieve.

## ▲ AVISO

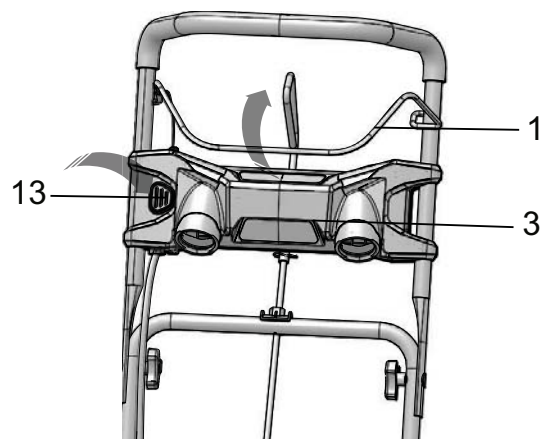
Suelte el interruptor de seguridad antes de ajustar el deflector del conducto.

## ▲ AVISO

No empuje el deflector tan hacia delante que haya un hueco entre el deflector y el conducto.

1. Presione y mantenga presionado el gatillo en el deflector del conducto (11).
2. Mueva el deflector del conducto (11) hacia arriba para aumentar la distancia de la nieve.
3. Mueva el deflector del conducto (11) hacia abajo para disminuir la distancia de la nieve.

### 8.6 LUCES DELANTERAS LED



#### Encendido de las luces delanteras:

1. Pulse y mantenga pulsado el botón del interruptor de seguridad (13).
2. Tire del interruptor de seguridad (1) en la dirección del manillar para encender las luces delanteras (3).

#### Apagado de las luces delanteras:

- Suelte el interruptor de seguridad (1).

## 8.7 CONSEJOS DE FUNCIONAMIENTO

- Si es posible, quite la nieve en la dirección del viento.
- En vientos fuertes, baje el deflector del conducto para dirigir la nieve al suelo.
- Cuando finalice el trabajo, deje que la máquina funcione durante un tiempo para evitar la formación de hielo en el conducto de descarga.
- Si la nieve es más profunda de 8" (20 cm), disminuya la velocidad y deje que la máquina funcione a su propio ritmo.
- No utilice el rascador para quitar nieve compactada y hielo.

## 9 MANTENIMIENTO

### ▲ AVISO

Retire la batería de la máquina antes de realizar tareas de mantenimiento.

### ▲ PRECAUCIÓN

Utilice únicamente piezas de repuesto aprobadas.

### ▲ PRECAUCIÓN

No permita que líquidos de frenos, gasolina y otros derivados del petróleo toquen las piezas de plástico. Las sustancias químicas pueden dañar el plástico y hacer que quede inservible.

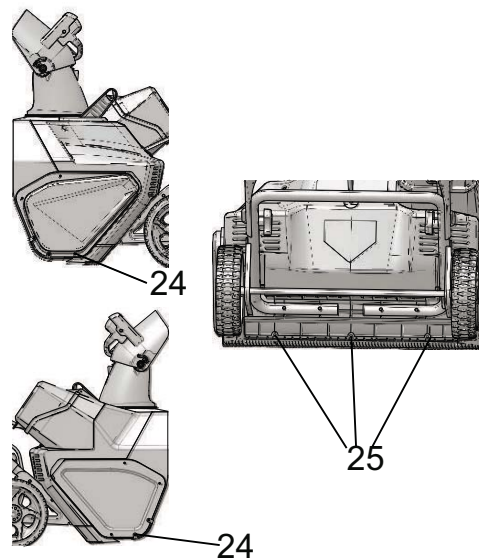
### ▲ PRECAUCIÓN

No utilice disolventes o detergentes fuertes en la carcasa o los componentes de plástico.

## 9.1 MANTENIMIENTO GENERAL

- Antes de cada uso, examine la máquina para comprobar si hay piezas dañadas, ausentes o sueltas como tornillos, tuercas, pernos y tapas.
- Apriete todos los elementos de fijación y las tapas correctamente.
- Limpie los restos de nieve de la máquina con un cepillo.

## 9.2 SUSTITUCIÓN DEL RASCADOR



### ▲ AVISO

Utilice únicamente rascadores de repuesto aprobados.

### ▲ AVISO

Lleve guantes gruesos o enrolle un trapo alrededor de la cuchilla cuando la toque.

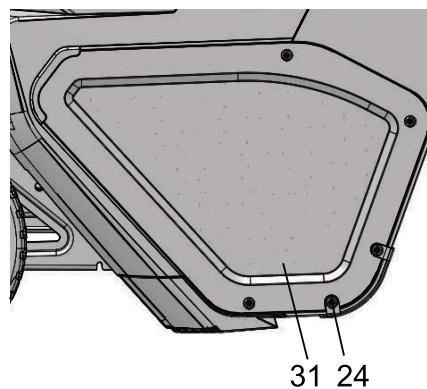
1. Retire los tornillos (24) de cada placa lateral.
2. Retire los tornillos de montaje (25) y los espaciadores y deseche el rascador usado.
3. Instale el rascador nuevo.
4. Reinstale los tornillos de montaje (25) y los espaciadores y apriételes.

## 9.3 SUSTITUCIÓN DEL ROTOR

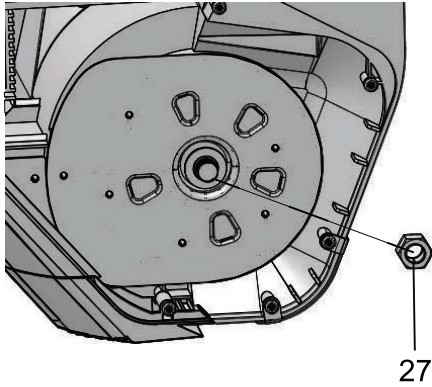
### ▲ AVISO

Utilice únicamente rascadores de repuesto aprobados.

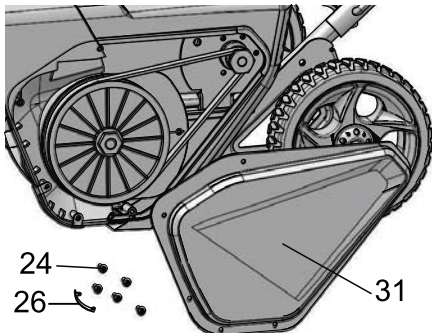
1. Retire los 5 tornillos (24) y la almohadilla de desgaste lateral (26) que fijan la cubierta lateral derecha (31).



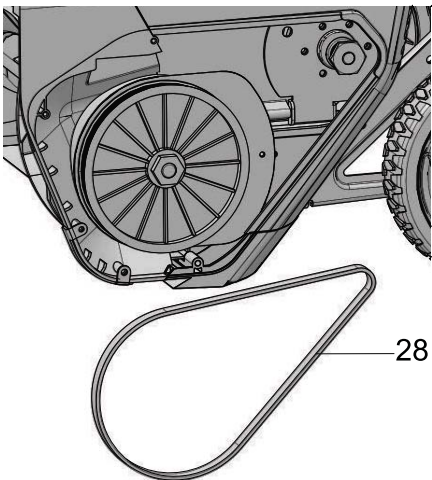
2. Retire la tuerca (27).



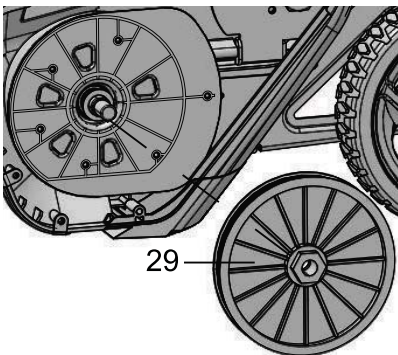
3. Retire los 5 tornillos (24) y la almohadilla de desgaste lateral (26) que fijan la cubierta del lado izquierdo (31).



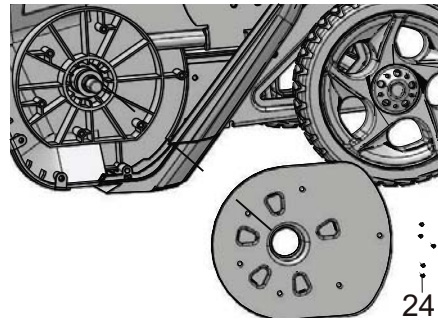
4. Retire la correa (28).



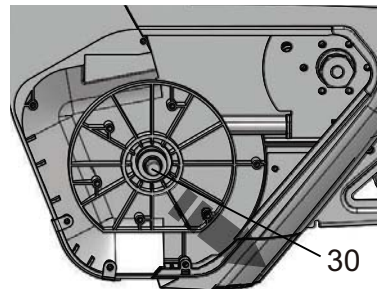
5. Con una llave de tubo, retire la polea grande (29).



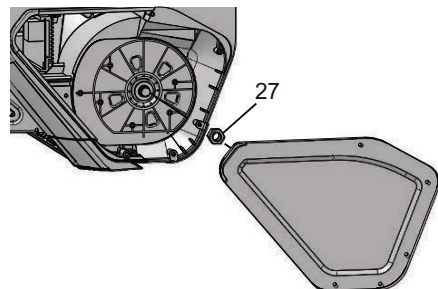
6. Retire los tornillos (24) que fijan la placa lateral izquierda.



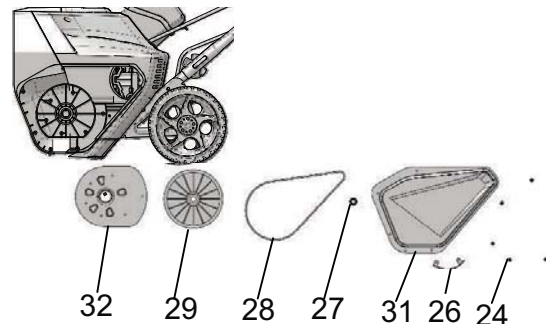
7. Tire del eje (30) y retire el rotor usado; instale el nuevo rotor.



8. Reinstale la tuerca (27) y la cubierta lateral derecha.



9. Vuelva a instalar la placa lateral izquierda (32), la polea grande (29), la correa (28) y la cubierta lateral izquierda (31).



## 9.4 ALMACENAMIENTO DE LA MÁQUINA

- Limpie la máquina antes del almacenamiento.
- Asegúrese de que el motor no esté caliente cuando almacene la máquina.
- Asegúrese de que la máquina no tenga piezas sueltas o dañadas. Si es necesario, siga estos pasos/estas instrucciones:
  - Sustituya las piezas dañadas.
  - Apriete los pernos.



- Hable con una persona de un centro de servicio aprobado.
- Almacene la máquina en una zona seca.
- Asegúrese de que los niños no puedan acercarse a la máquina.

## 10 SOLUCIÓN DE PROBLEMAS

Problema	Posible causa	Solución
El asa no está en posición.	Los pernos no se han acoplado correctamente.	Ajuste la altura del asa y asegúrese de que los mandos y los pernos se hayan alineado correctamente.
La máquina no se pone en marcha.	La batería no está cargada.	Cargue la batería siguiendo los procedimientos del manual de la batería y el cargador.
	El interruptor está defectuoso.	El interruptor debe ser sustituido por un centro de servicio autorizado.
	La batería está demasiado fría.	Retire la batería del quitanieves. Coloque la batería en el cargador y deje que se cargue durante 10 minutos o hasta que el piloto de carga cambie a verde. Retire del cargador e instale en el quitanieves para el uso.
	La batería puede necesitar servicio o sustitución.	Llame a la línea de asistencia telefónica gratuita, en el 1-855-345-3934 o sustituya la batería.
El motor está encendido, pero el rotor no gira.	La correa ha sufrido daños.	Sustituya la correa.
Queda una capa fina de nieve.	El rascador ha sufrido daños.	Sustituya el rascador.

\* Si no puede encontrar la solución a estos problemas, avise a 1-855-345-3934.

## 11 DATOS TÉCNICOS

Tensión	60 V
---------	------

Velocidad sin carga	1800 RPM
Ancho de retirada	20 in. (50.8 cm)
Profundidad de retirada	10 in. (25.4 cm)
Tamaño del rotor	16 in. (40.6 cm)
Peso (sin batería)	34.4 lbs (15.6 kg)
Batería	LB602/LB6025/LB603/ LB604/LB605/LB606 y otras series BAC
Cargador	CAC801/CH60DP01/ CH60R00/60DPC10A y otras series CAC

## 12 GARANTÍA LIMITADA



Por la presente Greenworks garantiza este producto, al comprador original con el comprobante de compra, durante un periodo de cuatro (4) años frente a defectos en materiales, piezas o mano de obra. A su entera discreción Greenworks reparará o sustituirá cualquiera y todas las piezas que resulten ser defectuosas, con un uso normal, sin coste alguno para el cliente. Esta garantía es válida únicamente para unidades que se hayan utilizado para uso personal que no han sido arrendadas o alquiladas para uso industrial/comercial y cuyo mantenimiento se ha realizado de acuerdo con las instrucciones del manual del propietario suministrado con el producto nuevo.

### ARTÍCULOS NO CUBIERTOS POR LA GARANTÍA:

1. Cualquier pieza que no funcione debido a mal uso, uso comercial, abuso, negligencia, accidente, mantenimiento inadecuado o alteración; o
2. La unidad, si no ha sido utilizada o mantenida de acuerdo con el manual del propietario; o
3. Desgaste normal, excepto en lo indicado a continuación; o
4. Artículos de mantenimiento de rutina tales como lubricantes, afilado de cuchillas;
5. Deterioro normal del acabado exterior debido al uso o la exposición.

### LÍNEA DE ASISTENCIA TELEFÓNICA:

Puede contactar con el servicio de garantía llamando a nuestra línea de asistencia telefónica gratuita, a 1-855-345-3934.

## COSTES DE TRANSPORTE:

Los costes de transporte por el desplazamiento de cualquier unidad o accesorio de equipos eléctricos son responsabilidad del comprador. Es responsabilidad del comprador pagar los costes de transporte de cualquier pieza enviada para su sustitución bajo esta garantía, a menos que dicha devolución sea solicitada por escrito por Greenworks.

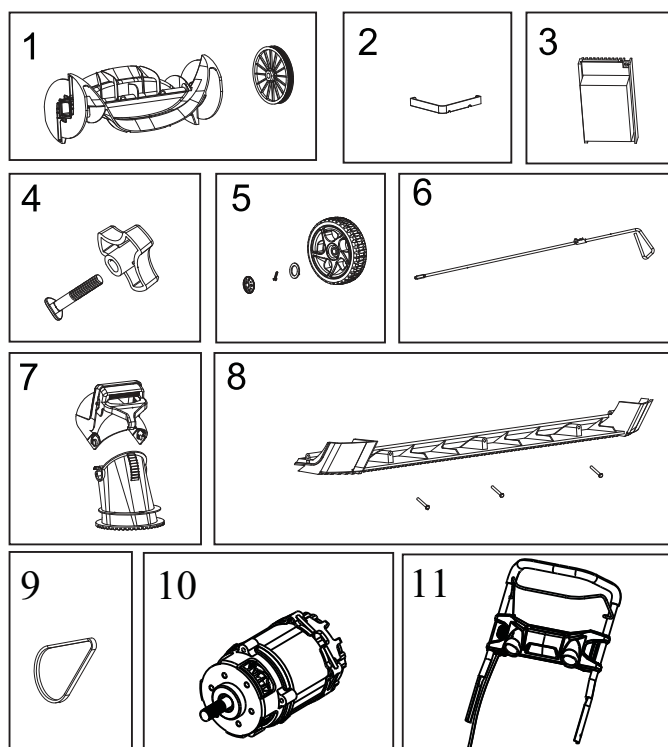
### Dirección en EE.UU.:

Greenworks Tools

P.O. Box 1238

Mooresville, NC 28115

## 13 VISTA DESPIEZADA



Nº	Nº pieza	Cant.	Descripción
1	R0201935-00	1	Conjunto del rotor
2	R0200283-00	1	Barra de respaldo
3	R0200285-00	1	Placa de circuitos impresos
4	R0200284-00	1	Conjunto de cierre de leva
5	R0200165-00	1	Conjunto de las ruedas
6	R0200166-00	1	Conjunto de varilla de control
7	R0200173-00	1	Conjunto de deflector del conducto
8	R0200282-00	1	Kit de rascadores
9	R0201918-00	1	Correa
10	R0201936-00	1	Motor
11	R0201937-00	1	Conjunto de asa superior



