



SEA PINES ROCKING CHAIR









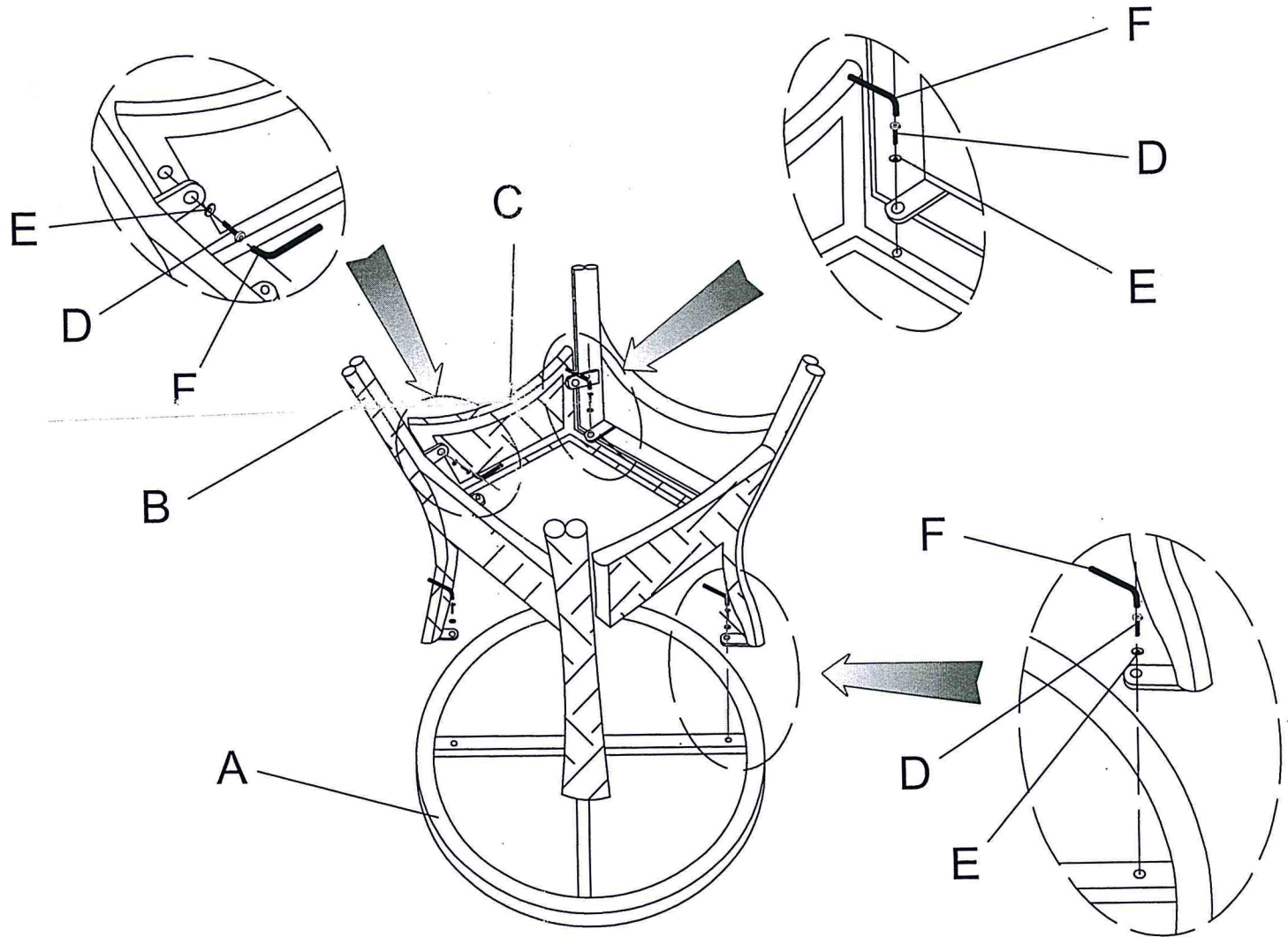
No assembly required. Just attach the runners to the chair*

Assembly Instruction

Item: BAY-SIDE

Don't tighten the bolts until all parts finish assembling!

A		1PC
B		2PCS
C		1PC
D		12PCS
E		12PCS
F		1PC



Very Important

Please Read Before Installing Runners.

When attaching runners, only finger tighten each bolt several turns before screwing down completely. Securing and tightening one bolt at a time will create fitting issues and potentially strip out the bolt hole on the opposite end.



Tortuga Outdoor – 495 Brown Ind. Pkwy. – Canton, GA – 30114 - Phone 678-880-6065

Hours M-F 8:30am-4:30pm EST - customerservice@tortugaoutdoor.com

Runner Installation:

PLEASE READ



STEP 1: Make sure runner holes align on each leg of both sides.



STEP 2: If holes do not align use a rubber mallet or comparable tool to slightly move leg into position.



STEP 3: Make sure bolt is aligned straight, the threaded hole is aluminum and could be stripped if not aligned properly. Only finger tighten each bolt several turns before screwing down completely.

