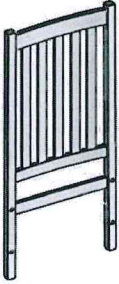

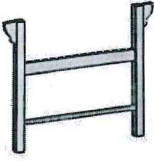
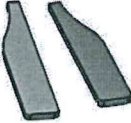






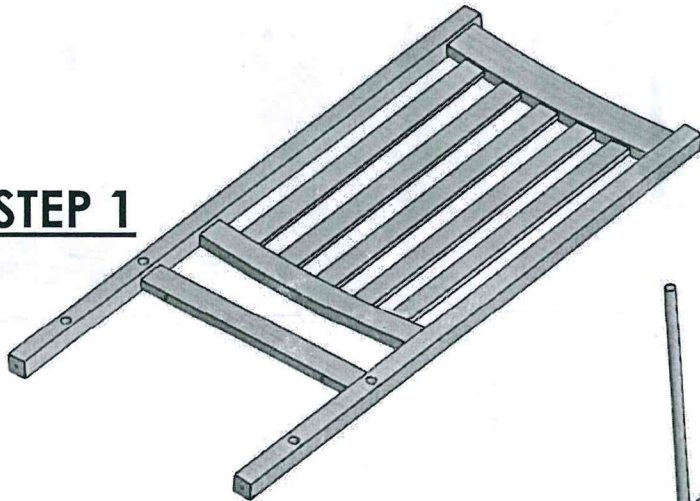


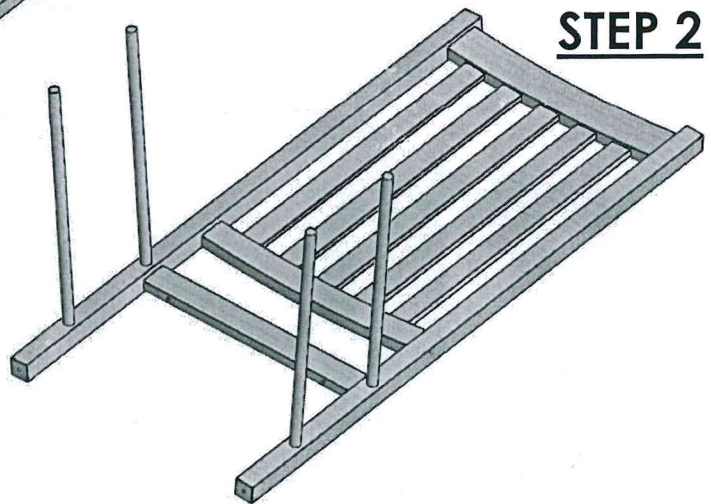
# Teak Rocking Chair Assembly Instructions

|  |  |   |  |  |
|--|--|---|--|--|
|  <p>BACK FRAME<br/>QTY: 1</p>   |  <p>SEAT FRAME<br/>QTY: 1</p> |  <p>FRONT FRAME<br/>QTY: 1</p> |  <p>ARM<br/>QTY: 1LH / 1RH</p>  |   <p>WOOD SCREW ( A )<br/>QTY: 6</p> |
|  <p>ROCKER BLADE<br/>QTY: 2</p> |  |  <p>WOOD DOWEL<br/>QTY: 4</p>  |   <p>BOLT ( B )<br/>QTY: 6</p> |  |
| <p>WOOD GLUE</p>   |  |   |  |  |

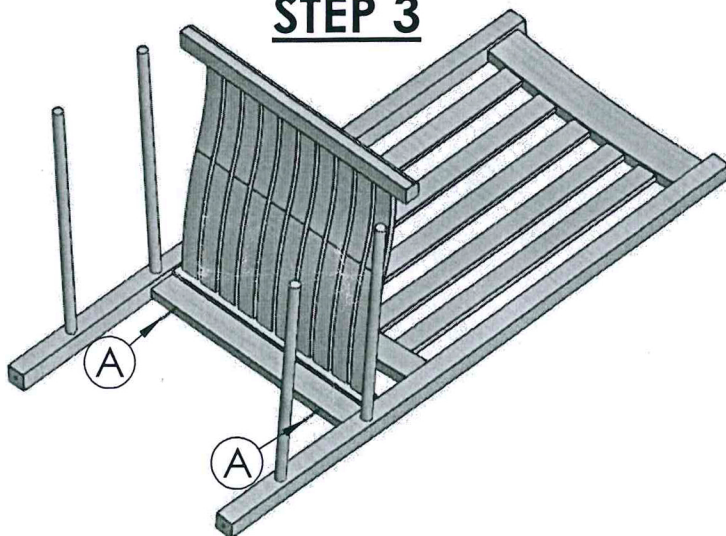
**STEP 1**

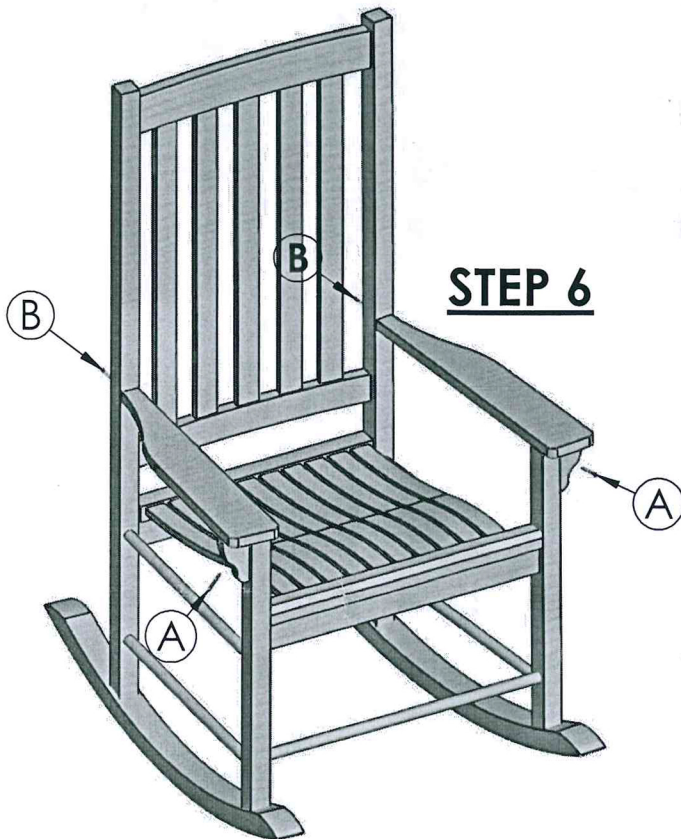
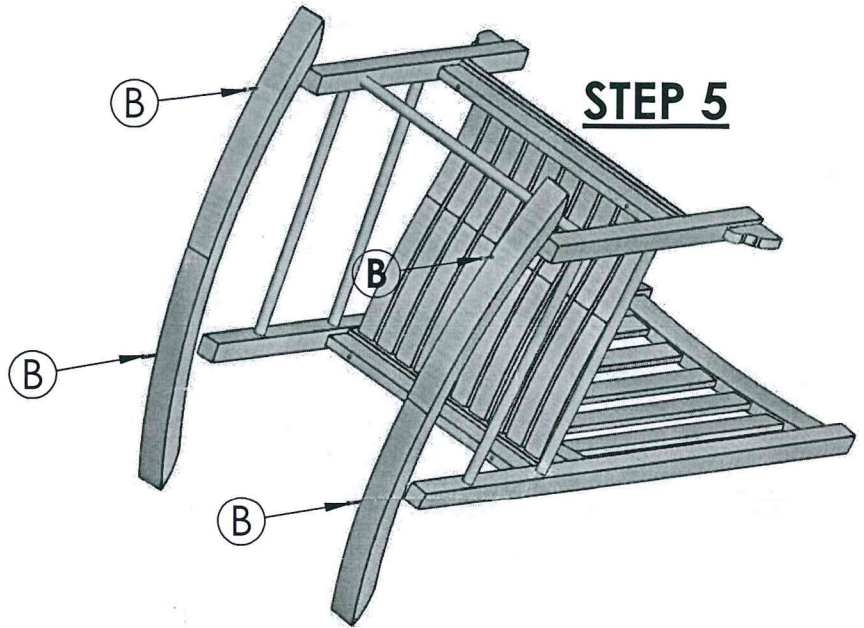
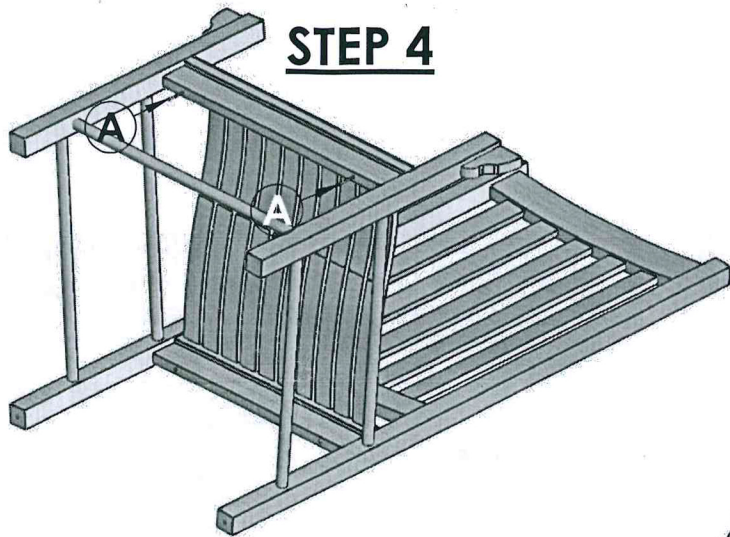


**STEP 2**



**STEP 3**





Tortuga Outdoor  
495 Brown Industrial Pkwy.  
Suite 200  
Canton, GA 30114  
(678) 822-5322  
[www.tortugaoutdoor.com](http://www.tortugaoutdoor.com)  
[tortuga@tortugaoutdoor.com](mailto:tortuga@tortugaoutdoor.com)