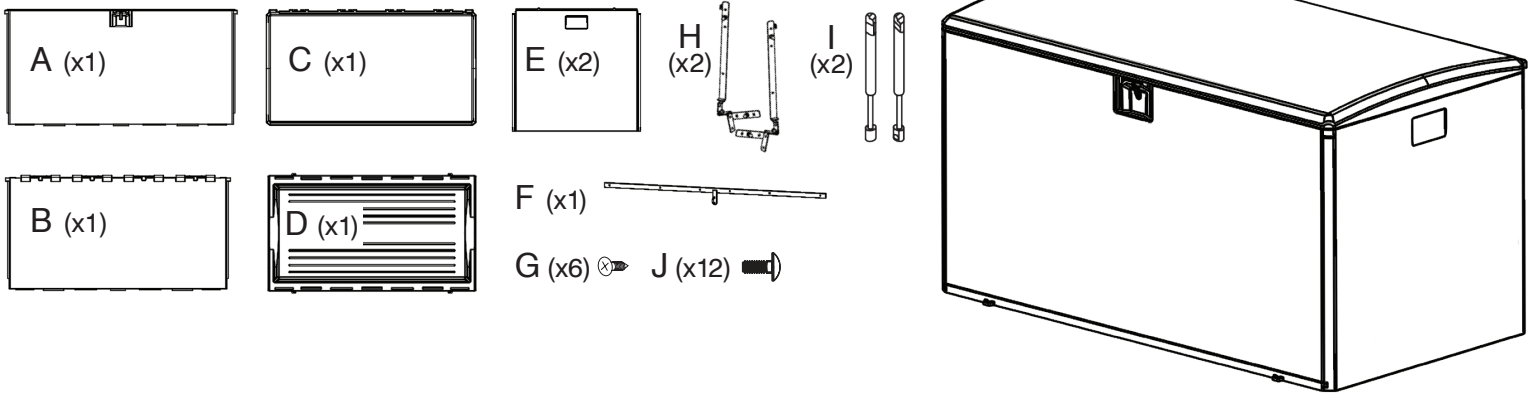


Parts Included:

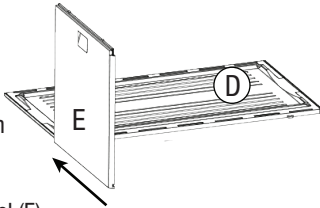


Assembly:

1 Attaching Side Panels to the Bottom Panel

Place the bottom panel (D) on a level surface.

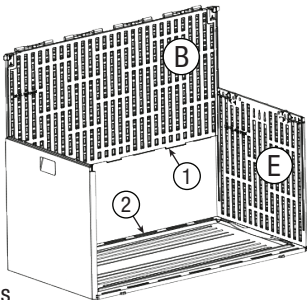
Slide 1 side panel (E) onto the bottom panel (D) then repeat with the other side.



2 Attaching the Back Panel

Slide the back panel (B) into position using the slots at the rear edge of the two side panels (E).

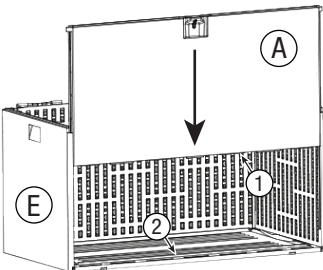
Press the lock tabs (1) into the slots (2) in the bottom panel and lock in place.



3 Attaching the Front Panel

Slide the front panel (A) into position using the slots at the front edge of the two side panels (E).

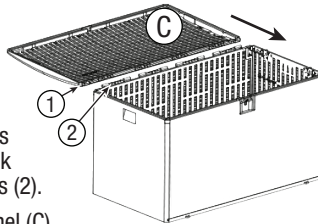
Press the lock tabs (1) into the slots (2) in the bottom panel and lock in place.



4 Attaching the Lid Panel

Hold the lid panel (C) horizontally and align the lid tabs (1) with the back panel hinge pins (2).

Push the lid panel (C) horizontally into the back panel hinge pins (2) and rotate the lid (C) closed to lock in place.



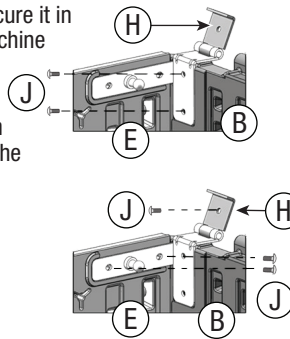
5 Attaching the Bracket/Hinges

Position the bracket/hinge (H) into the grooves at the top inside corner of the back panel (B). Secure it in place with two machine screws (J).

Use two machine screws (J) to attach the bracket (H) to the side panel (E).

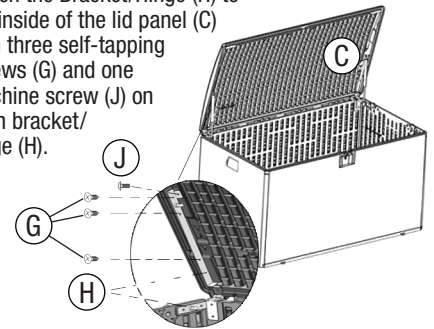
Use one machine screw (J) to attach the lid panel (C).

Repeat the above procedure for the other bracket (H).



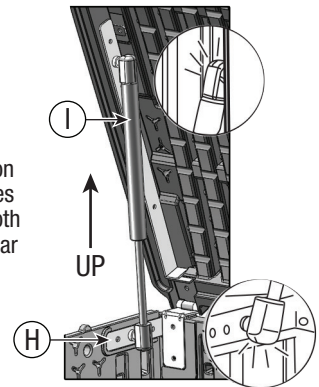
6 Attaching the Bracket/Hinges to the Lid Panel

Attach the Bracket/Hinge (H) to the inside of the lid panel (C) with three self-tapping screws (G) and one machine screw (J) on each bracket/hinge (H).



7 Attaching the Gas Shocks

Attach the gas shocks (I) to the two round nubs on the bracket/hinges (H) by pushing both ends until you hear a "snap" sound.



QUESTIONS? PROBLEMS? MISSING PARTS?

Before returning to store, contact PDG Customer Service: sales@PDGmail.com