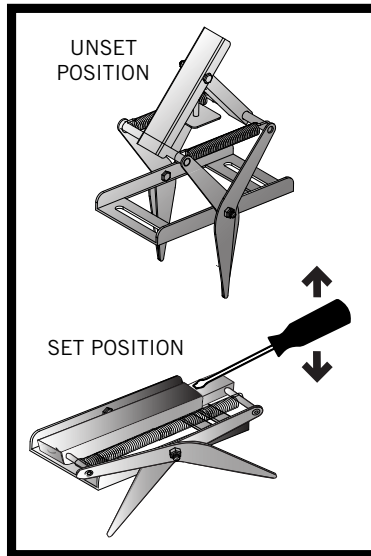


MOVING AND RESETTING THE TRAP

MOVING THE TRAP

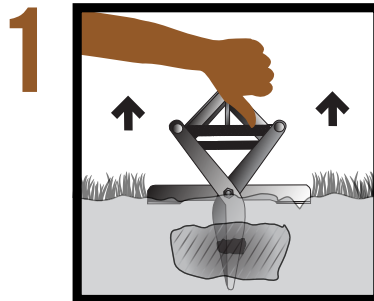


To move your Mole Trap first make sure that the trap IS NOT in the set position. If unset, simply pull from ground and repeat the steps to set.

If your trap is IN the set position, take a screwdriver or sturdy stick and place in the slot on top of the trap where the control arms connect.

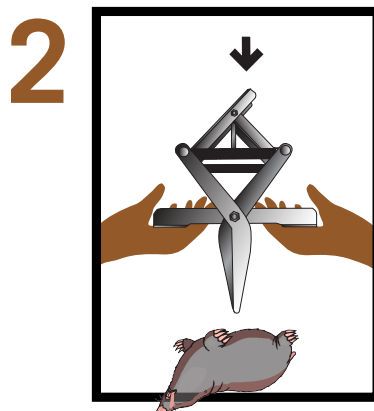
Add pressure up or down to break the action of the set trap. The trap will rapidly trigger and become safe to move or reset. Keep extremities and face clear of the upward movement of trap while triggering.

REMOVING MOLE FROM TRAP



Pull firmly on the top of the trap once triggered, where the control arms and foot pedal connect, and remove from ground.

If the trap has been successful in trapping, the mole will be stuck between either one of the scissors sets of the trap.



While holding the baseplate, pull the trap toward your body and press against your belt buckle or other resilient surface with the scissors and trapped mole facing away. This action will separate the scissors allowing the mole to dislodge from the trap. Dispose of the mole accordingly.

A trapped mole may be left in the ground after being captured by placing your feet on either side of the tunnel and the trap while removing from the ground.