
HENX[®]

USER MANUAL

Henx 20V Cordless String Trimmer

H20DC250, H20DC250B



TABLE OF CONTENTS:

Intended Use.....	3
Safety Instructions.....	3
Training	3
Preparation	3
Operation	4
Maintenance and storage	4
Key Information You Should Know	4
Know Your Tool.....	4
Specific Safety Rules.....	4
Explanation of Safety Symbols	5
Technical Data	6
Product Features.....	7
Charging the Battery.....	7
Assembly Instructions.....	8
Operation	10

Note:

Before using this product, read this manual and follow all safety rules and Operating Instructions.

Intended Use

This lawn trimmer is designed for cutting grass and similar soft vegetation in garden areas, not used for any other purpose.

Safety Instructions

WARNING! When using the machine the safety rules must be followed. For your own safety and that of bystanders please read these instructions before operating the machine. Please keep the instructions safe for later use.

Training

- a) Read the instructions carefully. Be familiar with the controls and the correct use of the machine.
- b) Never allow children or people unfamiliar with these instructions to use the machine. Local regulations can restrict the age of the operator.
- c) Keep in mind that the operator or user is responsible for accidents or hazards occurring to other people or their property.

Preparation

- a) Before use check the supply and extension cord for signs of damage or aging. If the cord becomes damaged during use, disconnect the cord from the supply immediately. **DO NOT TOUCH THE CORD BEFORE DISCONNECTING THE SUPPLY.** Do not use the machine if the cord is damaged or worn.
- b) Before use, always visually inspect the machine for damaged, missing or misplaced guards or shields.
- c) Never operate the machine while people, especially children, or pets are nearby.
- d) Children should be supervised to ensure that they do not play with the appliance.

Operation

- a) Keep supply and extension cords away from cutting means.
- b) Wear eye protection and stout shoes at all times while operating the machine.
- c) Avoid using the machine in bad weather conditions especially when there is a risk of lightning.
- d) Use the machine only in daylight or good artificial light.
- e) Never operate the machine with damaged guards or shields or without guards or shields in place.
- f) Switch on the motor only when the hands and feet are away from the cutting means.
- g) Always disconnect the machine from the power supply (i.e. remove the plug from the mains, remove the disabling device or removable battery)
 - 1) whenever the machine is left unattended.
 - 2) before clearing a blockage.
 - 3) before checking, cleaning or working on the machine.
 - 4) after striking a foreign object.
 - 5) whenever the machine starts vibrating abnormally.
- h) Take care against injury to feet and hands from the cutting means.
- i) Always ensure that the ventilation openings are kept clear of debris.

Maintenance and storage

- a) Disconnect the machine from the power supply (i.e. remove the plug from the mains, remove the disabling device or removable battery) before carrying out maintenance or cleaning work.
- b) Use only the manufacturer's recommended replacement parts and accessories.
- c) Inspect and maintain the machine regularly. Have the machine repaired only by an authorized repairer.
- d) When not in use, store the machine out of the reach of children.

KEY INFORMATION YOU SHOULD KNOW

The guard must be installed before trimming, if not, the motor will overheat, and void your warranty.

Know Your Tool

- **Warning!** Carefully read the instructions in this manual to reduce the risk of injury or material damage.
- Read all of this manual carefully before operating the tool.
- Before operating the tool, make sure that you know how to switch the tool off in an emergency.
- Retain this manual for future reference.

Specific Safety Rules

1. Before use check the supply and extension cord for signs of damage or aging. If the cord becomes damaged during use, disconnect the cord from the supply immediately.
2. DO NOT TOUCH THE CORD BEFORE DISCONNECTING THE SUPPLY. Do not use the appliance if the cord is damaged or worn.
3. Read the instructions carefully. Be familiar with the controls and proper use of the equipment.
4. Keep extension cord away from cutting elements.
5. Wear protective glasses or goggles.
6. Never allow children or people unfamiliar with the instructions to use the machine.
7. Stop using the machine while people, especially children, or pets are nearby.
8. Only use the machine in daylight or good artificial light.
9. Before using the machine and after any impact, check for signs of wear or damage and repair as

- necessary.
10. Never operate the machine with damaged guards or without the guarding place
 11. Keep hands and feet away from the cutting means at all times especially when switching on the motor.
 12. Take care against injury from any device fitted for trimming the filament line length.
 13. Never fit metal cutting elements.
 14. Never use replacement parts or accessories not provided or recommended by the manufacturer.
 15. Disconnect the machine from the mains before checking, cleaning or working on the machine and when it is not in use.
 16. Inspect and maintain the trimmer regularly. Have the trimmer repaired only by an authorized repairer.
 17. Take care against injury from the blade fitted for trimming the filament line length. After extending the new cutter line, always return the trimmer to its normal operating position before switching on.
 18. Always ensure that ventilation openings are kept clear of debris.
 19. When not in use, store the trimmer out of the reach of children.
 20. For additional protection, it is advised to install a residual current device (RCD) with a rated residual operating current not exceeding 30 mAh.
 21. This appliance is not intended for use by persons (including children) with reduced physical, sensory or mental capabilities, or lack of experience and knowledge. Children should be supervised to ensure that they do not play with the appliance.
 22. The nylon line will run on for a few seconds after the tool is switched off!



Residual risks


Even when the tool is used as prescribed it is not possible to eliminate all residual risk factors. The following hazards may arise in connection with the tool's construction and design:

1. Damage to lungs if an effective dust mask is not worn.
2. Damage to hearing if effective hearing protection is not worn.
3. Health defects resulting from vibration emission if the power tool is being used over a longer period of time or not adequately managed and properly maintained.

WARNING! This machine produces an electromagnetic field during operation. This field may under some circumstances interfere with active or passive medical implants. To reduce the risk of serious or fatal injury, we recommend persons with medical implants to consult their physician and the medical implant manufacturer before operating this machine.

EXPLANATION OF SAFETY SYMBOLS

	<p>- Warning!</p>		<p>- Do not use in rain or wet conditions.</p>
	<p>- Read operator's manual</p>		<p>- Always wear eye protection.</p>
	<p>-Keep bystanders away</p>		<p>Waste electrical products should not be disposed of with household waste. Please recycle where facilities exist. Check with your local Authority or retailer for recycling advice.</p>

	In accordance with essential applicable safety standards of European directives		
---	---	--	--

TECHNICAL DATA

Type	H20DC250, H20DC250B
Voltage	20VDC
Battery type	Lithium-Ion
No load speed	8000rpm /min
Cutting width	250mm
Battery capacity	2Ah & 4Ah
Net Weight (kg)	2.0Kg
Charging time	60min for 2.0Ah battery pack if H18KC40 charger is used; 240min for 2.0Ah battery pack if H18MC10 charger is used. 120(min) for 4.0Ah battery pack if H20KC40 charger is used; 480(min) for 4.0Ah battery pack if H18MC10 charger is used.
A-weighted sound pressure level L_{pA}	77dB(A)
Uncertainty K_{pA}	3dB(A)
A-weighted sound power level $L_{WA+K_{WA}}$	96dB(A)
Vibration	$A_h=3.8m/s^2$



Wear hearing protection while operating the power tool.

The declared vibration total value has been measured in accordance with a standard test method and may be used for comparing one tool with another.

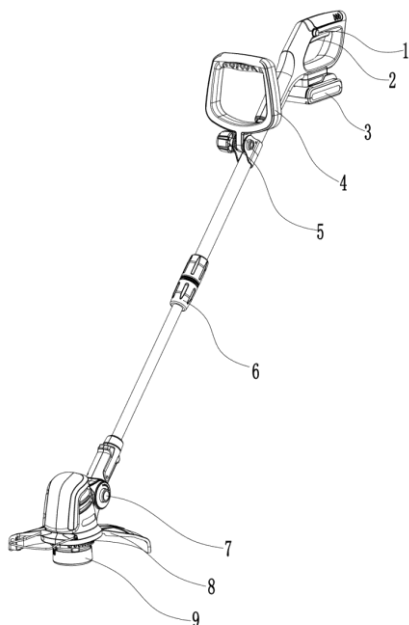
The declared vibration total value may also be used in a preliminary assessment of exposure.

Warning

The vibration emission during actual use of the power tool can differ from the declared total value depending on the ways in which the tool is used.

There is a need to identify safety measures to protect the operator that are based on an estimation of exposure in the actual conditions of use (taking account of all parts of the operating cycle such as the times when the tool is switched off and when it is running idle in addition to the trigger time).

Product Features



- 1 Safety lock-off button
- 2 Start button
- 3 Battery pack
- 4 Front handle
- 5 Lock knob
- 6 Threaded tube
- 7 Rotary button
- 8 Cutting means guard
- 9 Bump head

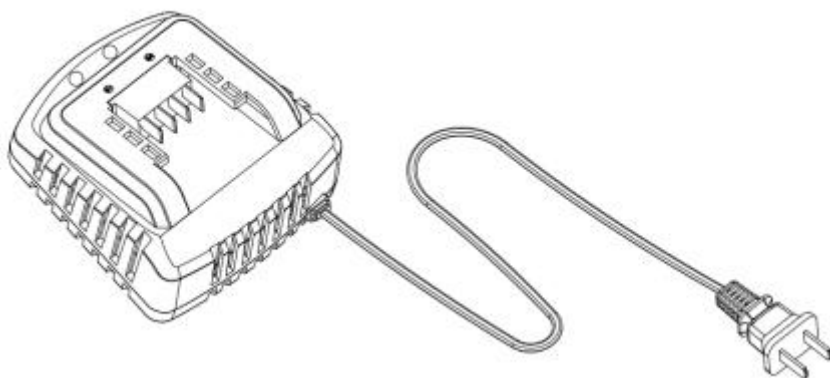
Charging the Battery

The battery needs to be charged before first use and whenever it fails to produce sufficient power on jobs that were easily done before.

The battery may become warm while charging; this is normal and does not indicate a problem.

NOTE: After several charge and discharge cycles, the battery will attain full capacity.

DO NOT CHARGE THE BATTERY AT AMBIENT TEMPERATURES BELOW 4°C OR ABOVE 40°C.
RECOMMEND CHARGING TEMPERATURE: APPROX. 24°C.



- (1) Connect the charger to the charger station.
- (2) Plug the charger into an appropriate AC power outlet. The LED lights green to tell you that the charger is ready for use.
- (3) Insert the charger station into the battery pack, making sure the charger station is fully seated in the battery pack. The LED lights red to tell you that the battery pack is charging.

Attention! Battery cannot be charged immediately after use. The battery pack should cool down

for a period of time. The LED lights from green to red meaning that it can be charged.

(4) The battery pack will be fully charged in about 1 hour. And the LED lights green again to tell you that the battery pack is fully charged.

Important charging notes

Longest life and best performance can be obtained if the battery pack is charged when the air temperature is between 18-24°C. Do not charge the battery pack in a very low or very high air temperature. This is important and will prevent serious damage to the battery pack.

- 1. When using your tool continuously, the batteries in your battery pack will become hot. You should let a hot battery pack cool down for approximately 30 minutes before attempting to recharge.**
2. The charger and battery pack may become warm while charging. This is a normal condition, and does not indicate a problem.
3. Use the charger in normal room temperatures whenever possible. To prevent overheating, do not cover the charger and do not charge battery packs in direct sunlight or near heat sources.
4. If the battery pack does not charge properly – (1) check current at receptacle by plugging in a lamp or other appliance. (2) move the charger and battery pack to a location where the surrounding air temperature is approximately 18-24°C. (3) if charging problems persist, take or send the tool, battery pack and charger to your local service center.
5. The battery pack should be recharged when it fails to produce sufficient power on jobs which were easily done previously. **DO NOT CONTINUE** to use under these conditions. Follow the charging procedure. You may also charge a partially used pack whenever you desire with no adverse effect on the battery pack.
6. Under certain conditions, with the charger plugged in to the power supply, the exposed charging contacts inside the charger can be shorted by foreign material. Foreign materials of a conductive nature such as, but not limited to, steel wool, aluminum foil, or any buildup of metallic particles should be kept away from charger cavities. Always unplug the charger from the power supply when there is no battery pack in the cavity. Unplug charger before attempting to clean.
7. Do not immerse the charger in water or any other liquid.
8. **WARNING!** Don't allow any liquid to get inside the charger. Electric shock may result. To facilitate the cooling of the battery pack after use, avoid placing the charger or battery pack in a warm environment such as in a metal shed, or an uninsulated trailer.
9. **CAUTION!** Never attempt to open the battery pack for any reason. If the plastic housing of the battery pack breaks or cracks, return to a service center for recycling; do not put it into further use

ASSEMBLY INSTRUCTIONS

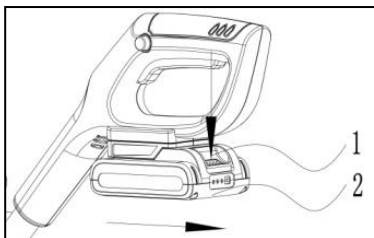
For Your Safety



Warning! Remove the battery pack before guard installation or blade installation or changing the blade or cleaning the tool.



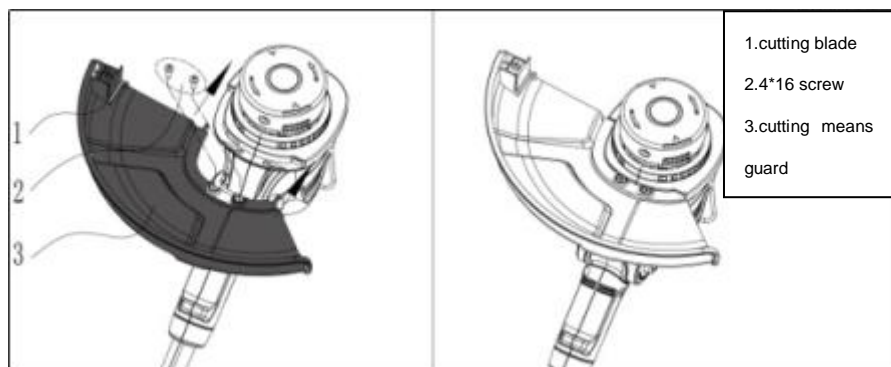
Insert/remove the battery pack



- Always release the On/Off switch before insertion or removal of the battery pack.
- To **remove** the battery pack, depress the button on the end of the battery pack, and then remove the pack from the tool.
- To **insert** the battery pack, align the latches on both sides of the battery cartridge with the groove in the housing and slide it into place. Always insert it all the way until it locks in place with a little click. If not, it may accidentally fall out of the tool, causing injury to you or someone around you.

Do not use force when inserting the battery pack. If the cartridge does not slide in easily, it is not being inserted correctly.

Guard installation



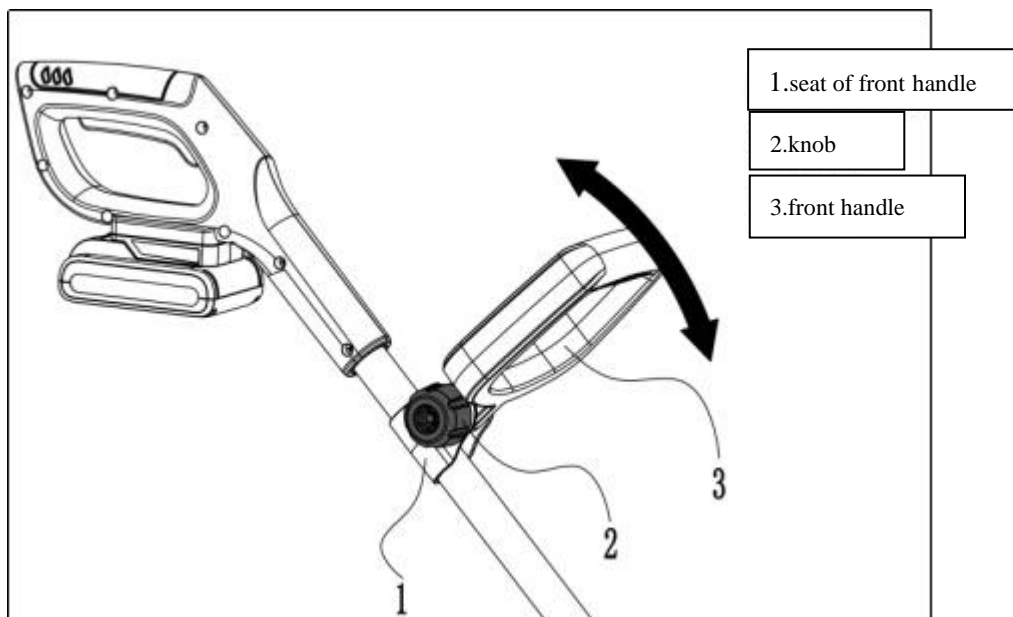
- a. Remove two screws from the motor housing.
- b. Slide guard over motor housing.
- c. Re-insert two screws into the guard and tighten.

Mount the Front Handle

As shown in the picture, after taking the trimmer out of package:

1. Turn the seat of the front handle until the front handle reaches its normal operating position.

2. Tighten the locking knob to lock the front handle.



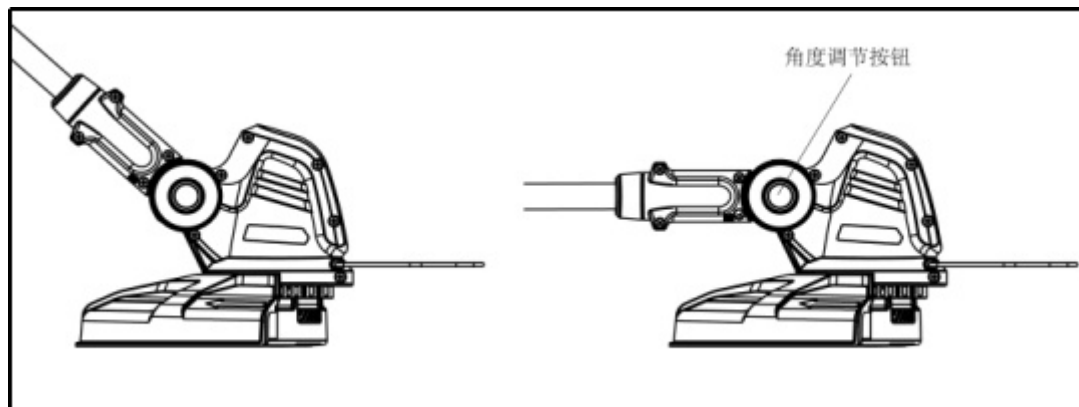
Operation

⚠ RISK OF INJURY!

Risk of injury if the grass trimmer does not switch off when you release the start button. Never bypass the safety devices (by binding the start button to the handle, for example).

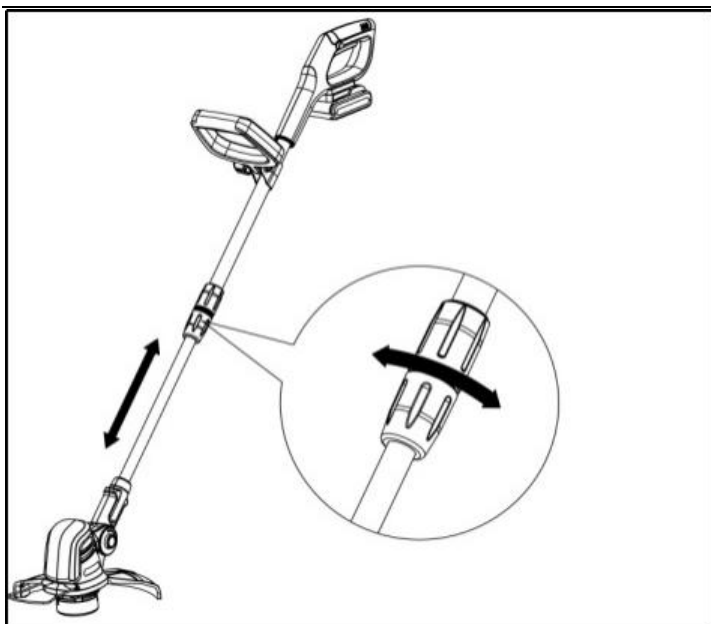
Setting the trimmer head angle:

Push the "PUSH" button with one hand and turn the trimmer head to a suitable position. The "PUSH" button can lock the handle automatically.



Setting the handle length:

Rotate the threaded tube to secure the rod body to its own comfortable operating position



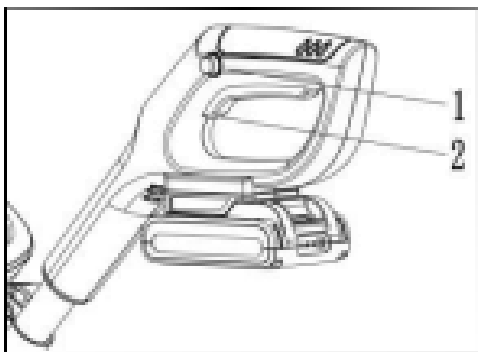
Starting the trimmer:

Switching the trimmer on:

- 1, Press and hold the safety lock-off button 1 and then press the start button 2 on the handle.
- 2, Release the safety lock-off button 1 again.

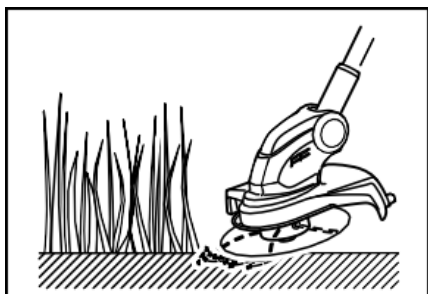
Switching the trimmer off:

- 1, Release the start button 2 on the handle.



⚠ RISK OF INJURY! Cutting elements continue to rotate after the motor is switched off. Do not try to stop the cutting device (nylon blade) with your hands. Always let it come to a stop by itself.

Suggestion: If you are trimming the lawn in Working Position A, in order to trim better, the angle between the blades and the horizon level should be set to about 10°. When trimming, you can hold the machine and move it from left to right and then from right to left. In this means you can get better trimming effects.



HENX LIMITED WARRANTY

HENX String Trimmer Two Year Limited Warranty

H20LJ08

HENX String Trimmer are warranted (to the original purchaser) to be free from defects in materials and workmanship for a period of One year from the date of original purchase. HENX Products used for commercial or rental has a warranty period of 30 days from date of original purchase.

HENX will replace, at its discretion, any part that is proven to be defective in materials or workmanship under normal use during the warranty period. Warranty replacements will be made without charge for parts or labor. Parts replaced during warranty will be considered as part of the original product and will have the same

warranty period as the original product.

TO EXERCISE WARRANTY COVERAGE:

Do not return to retailer! For warranty and technical support call the Customer Service Number: (866) 678-8989

WARRANTY COVERAGE:

This warranty is conveyed to the original purchaser and is not transferable.

HENX String Trimmer contains parts that will wear out with usage and parts that need maintenance. The warranty does not cover wear or maintenance parts.

Warranty does not extend to HENX String Trimmer damaged or affected by accidents, neglect, misuse, contaminated fuel, unauthorized alterations, use in applications beyond product design and any other modification, In addition, this warranty does not cover general check-ups on electrical equipment, tune-ups on gasoline engines, or replacement of non-defective parts (such as electrical brushes, cables, plugs, spark plugs, filters, starter ropes, etc.) that may wear and need to be replaced with reasonable use within the warranty period or which may require replacement in connection with normal maintenance.

HENX is not liable for any indirect, incidental or consequential damages from the sale or use of this product. Any implied warranties are limited to period as stated in this written limited warranty. Some states do not allow limitation on the length of an implied warranty. Some states do not allow the exclusion or limitation of incidental or consequential damages. This warranty gives you the specific legal right, and you may have other rights that vary by state.

For questions / comments, technical assistance or repair parts

Please Call US at: (866) 678-8989

SAVE YOUR RECEIPTS. THIS WARRANTY IS VOID WITHOUT THEM.