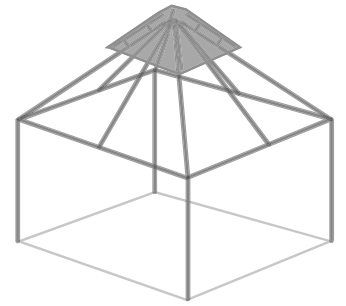


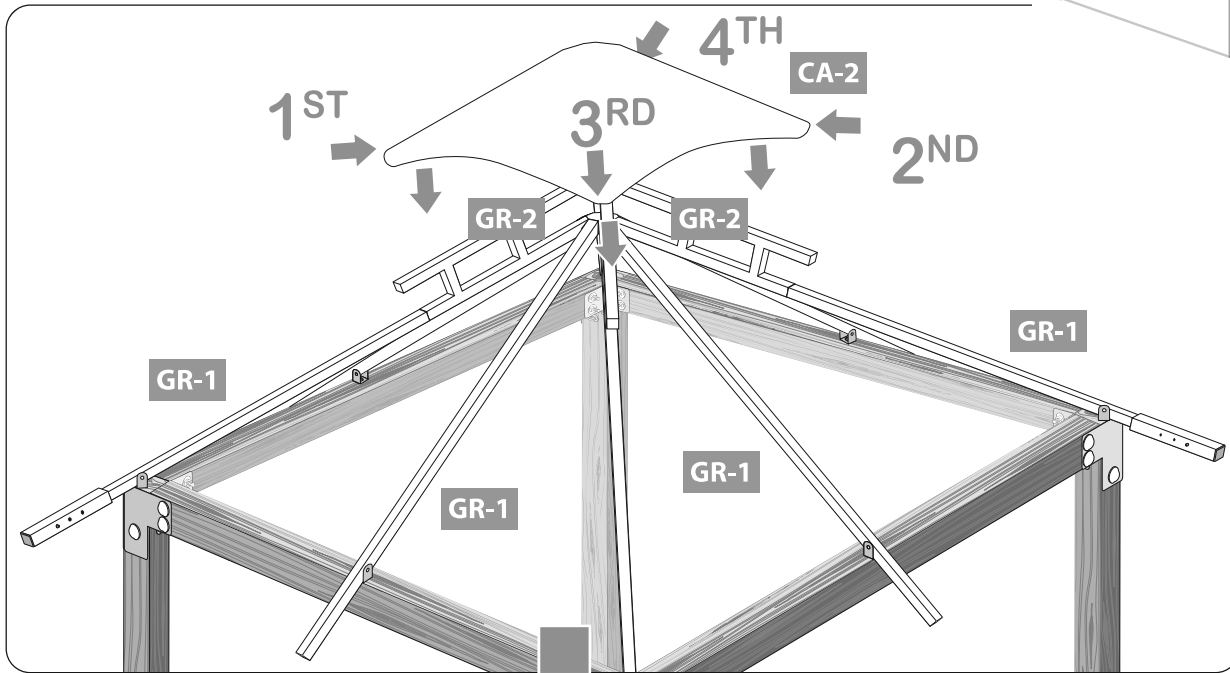
Canopy Top Installation



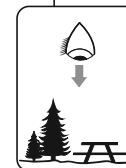
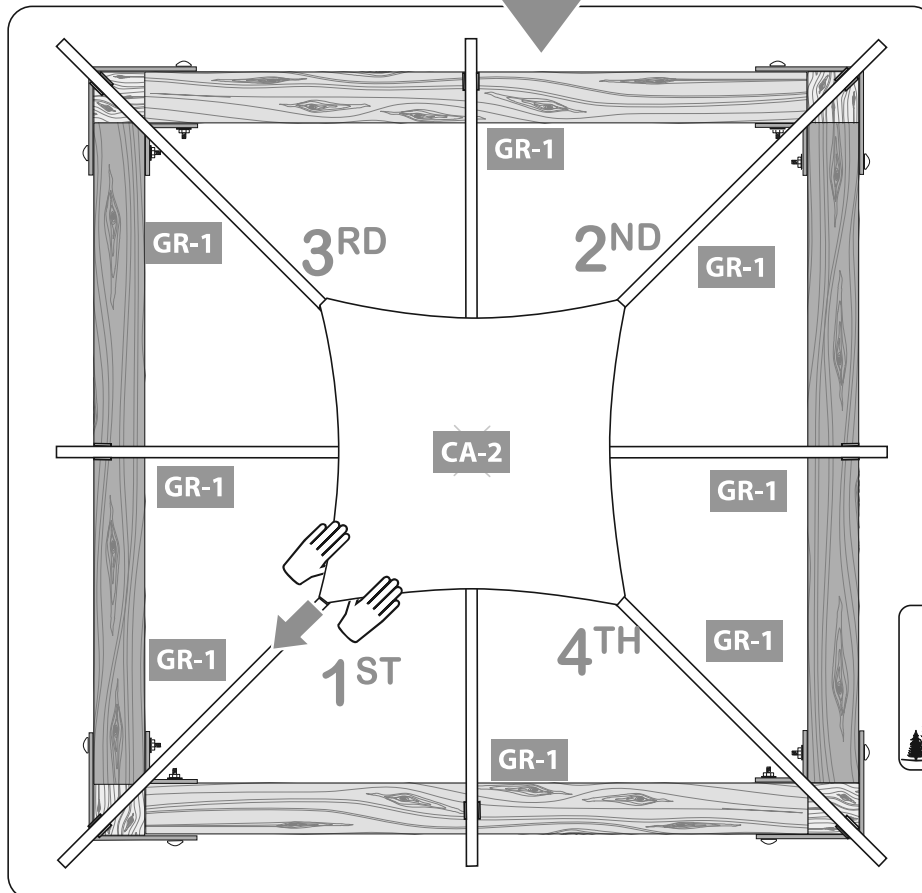
Make certain the pieces are in the correct positions before securing. Carefully follow the order of assembly to ensure an easy installation. Wear proper safety gear including work shoes, gloves and goggles.

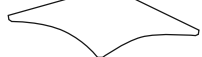


5.1A

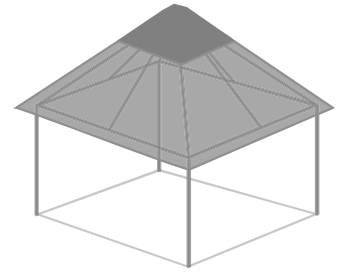
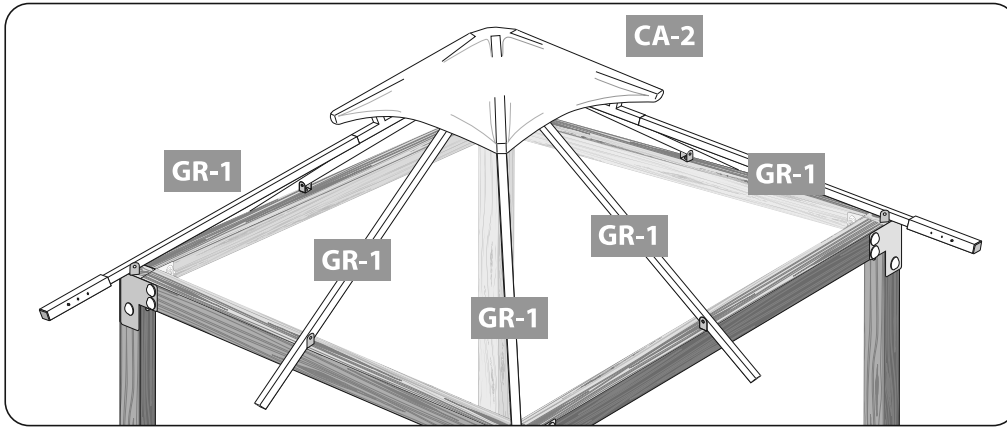


5.1B

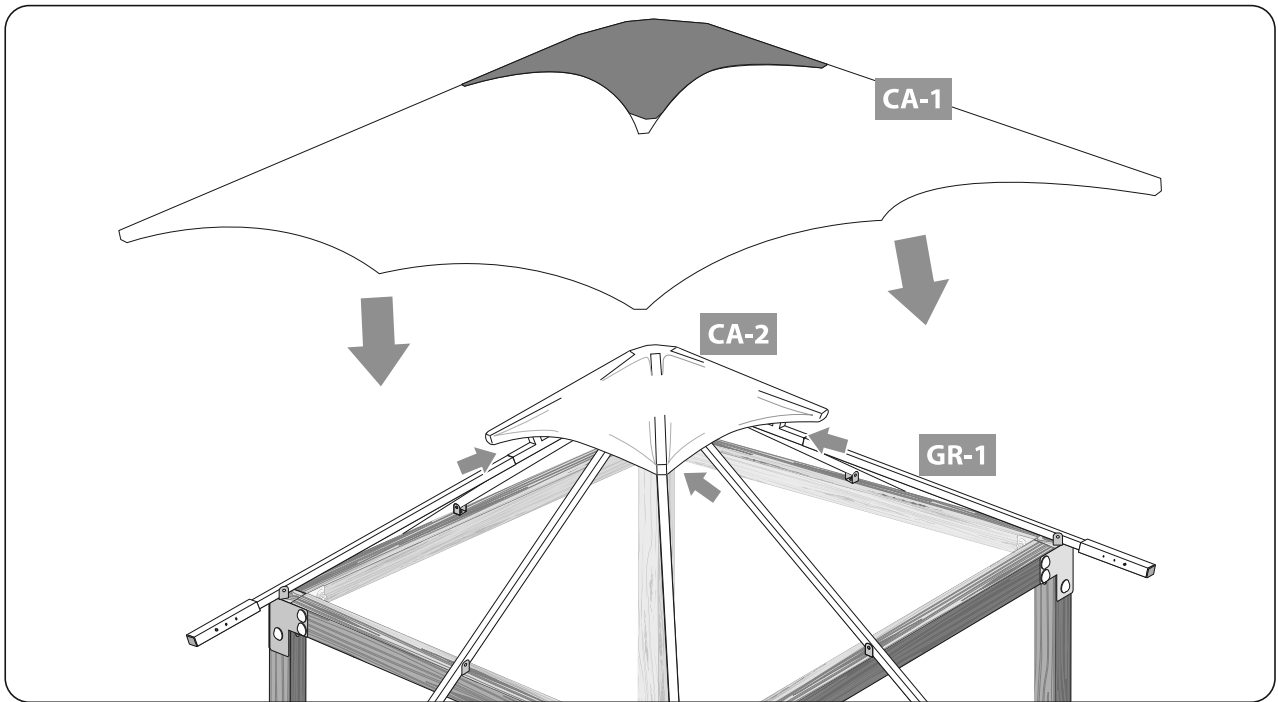


Canopy	QTY
 CA-2	1

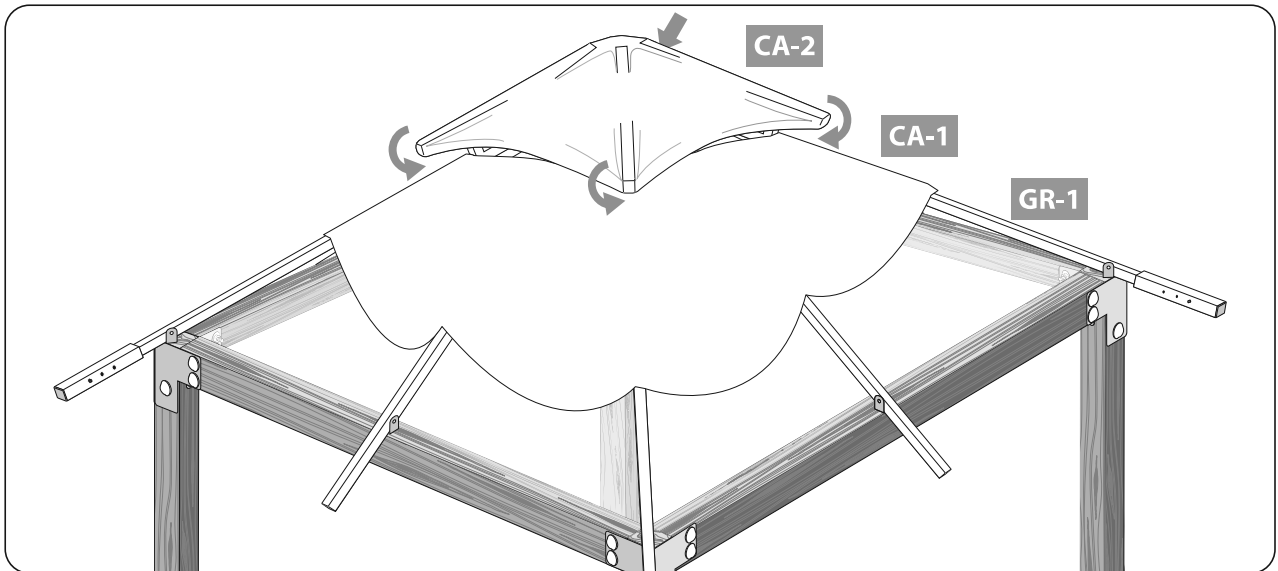
5.1C




5.2A

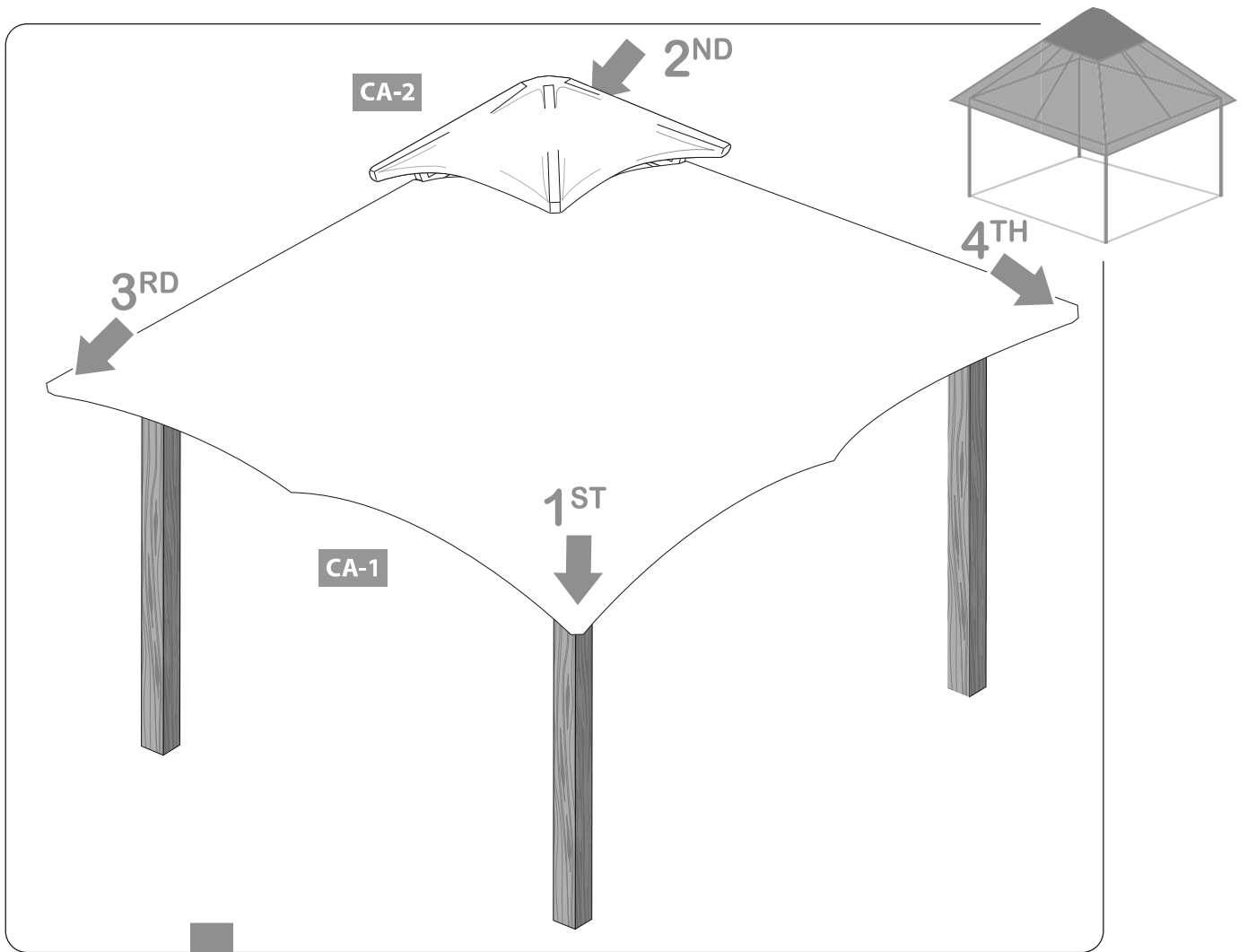


5.2B

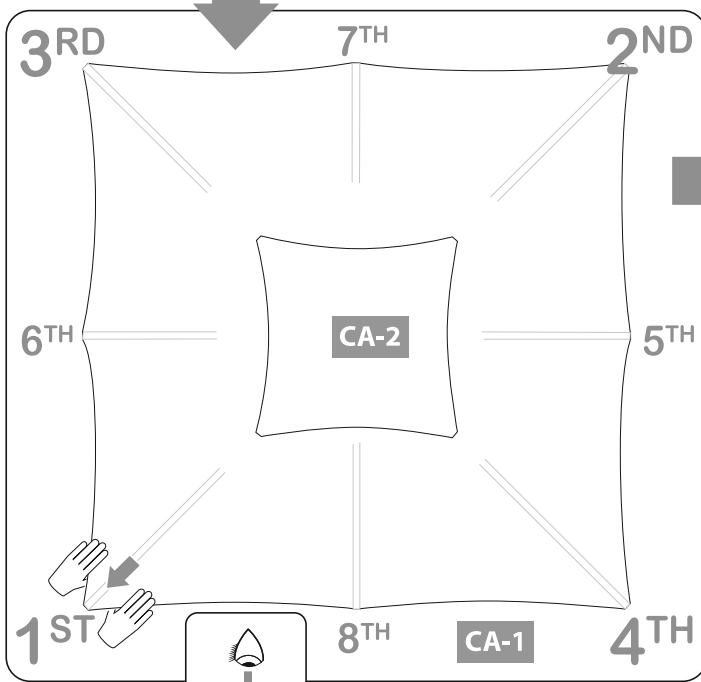


Canopy		QTY
	CA-1	1

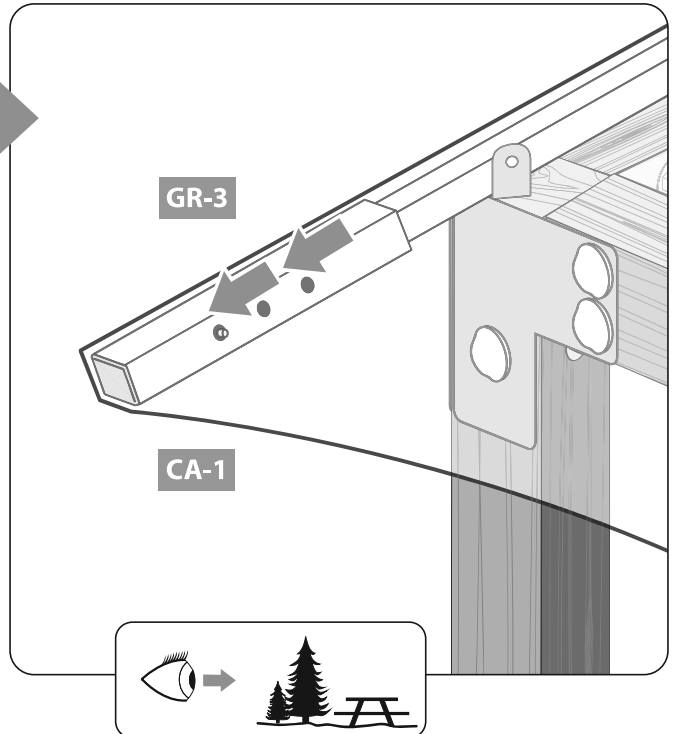
5.2C



5.2D



5.2E



5.2F (5.2E) X 4