

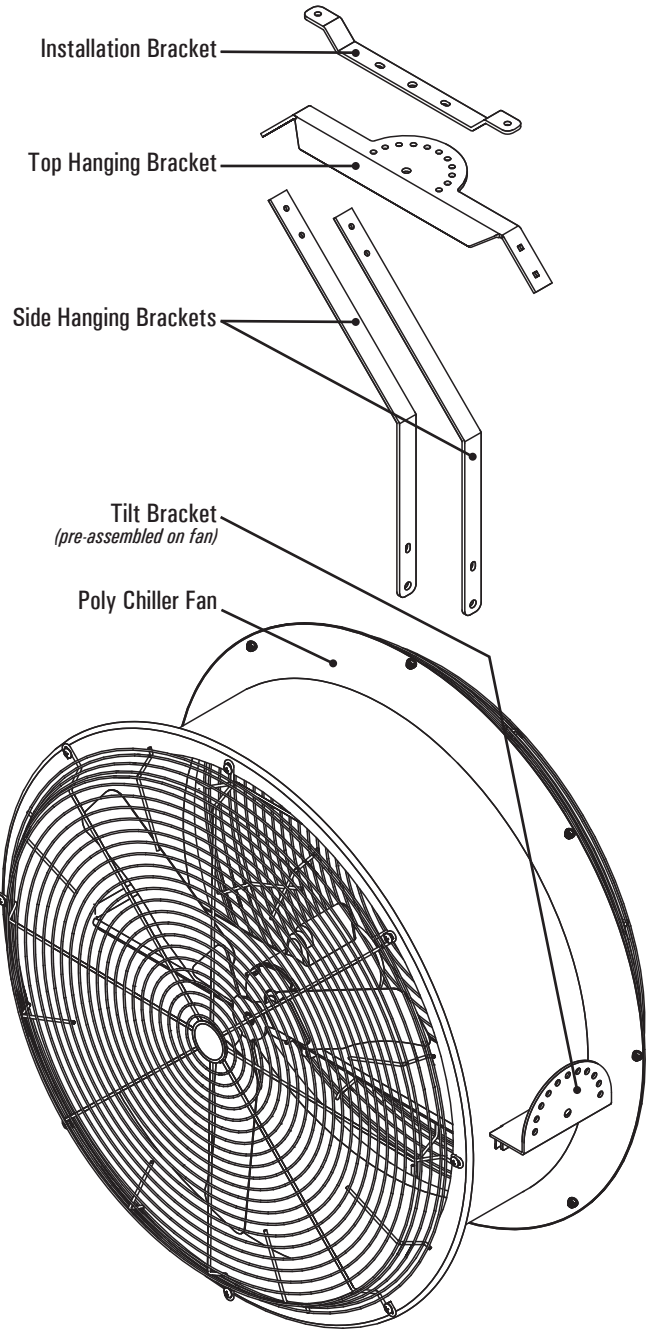
J&D Manufacturing

POLY CHILLER



INSTALLATION HARDWARE IS NOT PROVIDED

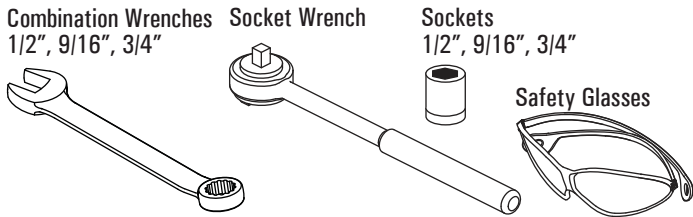
PARTS LEGEND



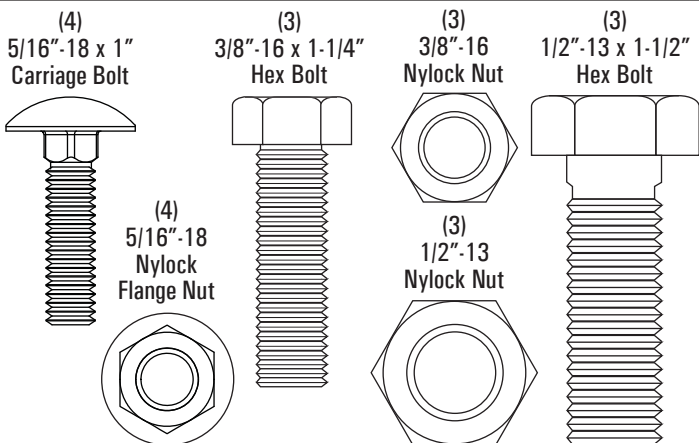
WARRANTY

J&D Manufacturing warrants all products are free from defects in materials and workmanship under normal use for the period of one year from date of purchase. Our warranty does not cover normal or regular wear and tear. J&D Manufacturing can repair or replace at our option, any product or part of the product that is found to be defective. Our warranty applies to materials only, and does not include return freight, delivery, loss or damage to personal property, cost of removal or installation, any incidental or consequential damages or labor. This warranty does not apply to products which are misused, abused, altered, improperly installed or subject to negligence. All warranties must be approved through our warranty department. The original purchaser must present a copy of the invoice for the defective product. One year is our standard warranty unless specified on our literature or in the installation instructions or user manuals.

RECOMMENDED TOOLS FOR ASSEMBLY (NOT PROVIDED)



INCLUDED ASSEMBLY HARDWARE - TO SCALE



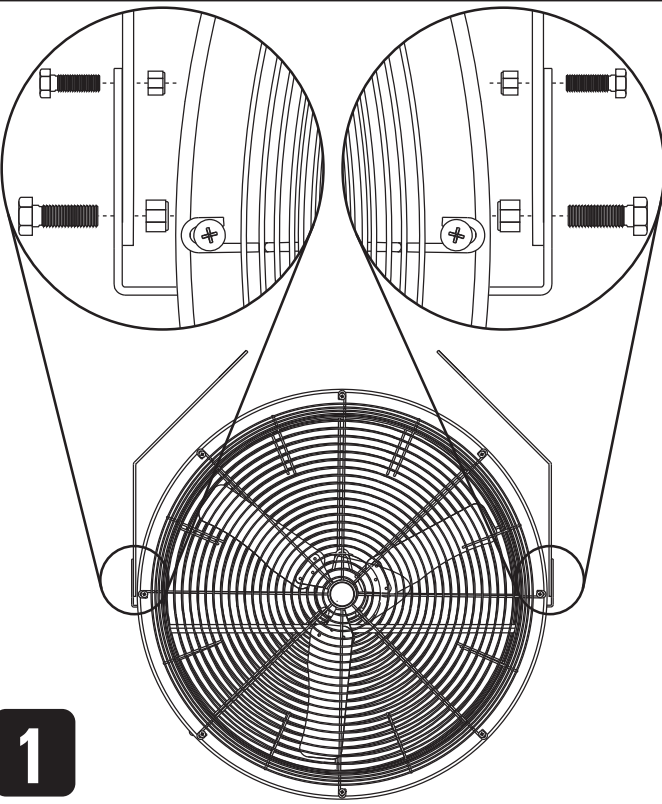
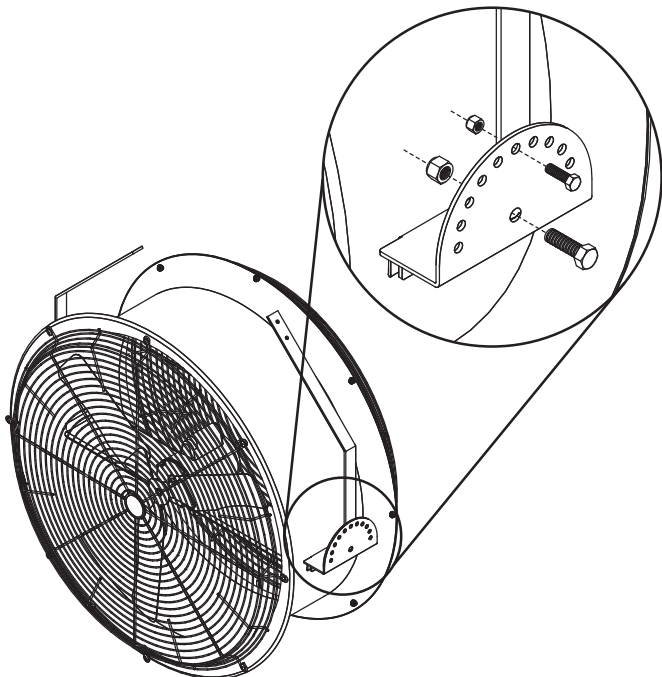
INSTALLATION

Please read over all instructions carefully before you begin. If you have any questions please call your local dealer, or contact J&D Manufacturing at 1-800-998-2398.

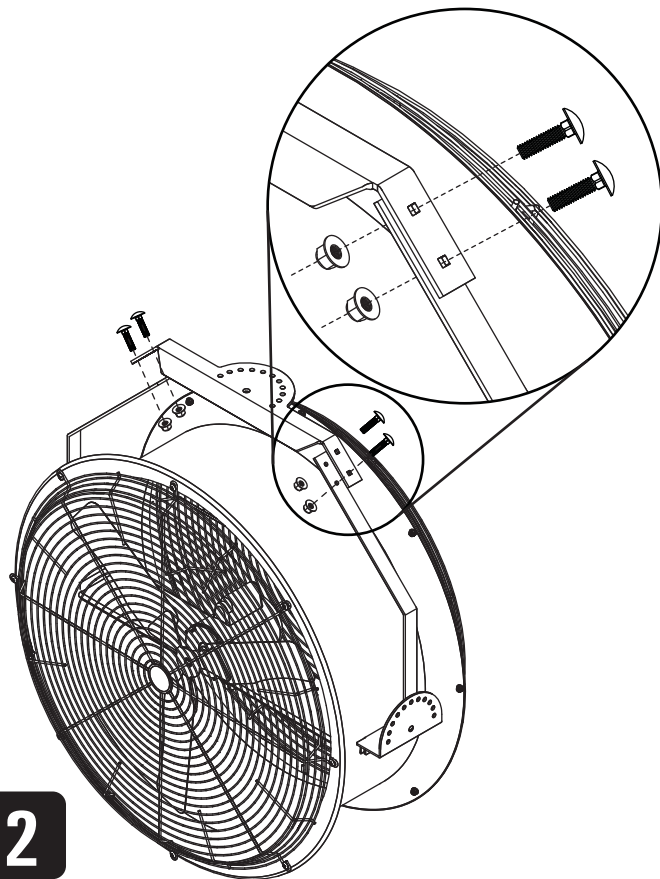
Using the two pre-drilled holes on the rounded end of a Side Hanging Bracket, attach to the Tilt Bracket on the side of the fan housing by inserting (1) 1/2" - 13 x 1-1/2" Hex Bolt through the single bottom hole on the Tilt Bracket, and the bottom hole on the Side Hanging Bracket. Secure with (1) 1/2" - 13 Nylock Nut.

To further stabilize the Side Hanging Brackets and prepare for installation, insert (1) 3/8" - 16 x 1-1/4" Hex Bolt through the top middle hole on the Tilt Bracket, and through the top hole on the Side Hanging Bracket. Secure with (1) 3/8" - 16 Nylock Nut. This fully upright position is best for installation. Once the Poly Chiller is installed, you may remove the top Nut and Bolt and reposition to adjust the fan tilt.

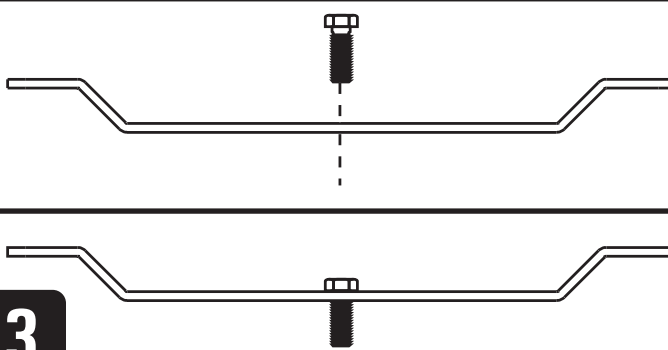
Repeat for the other Side Hanging Bracket.



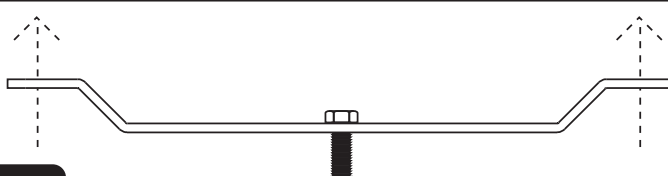
Attach the Top Hanging Bracket to the Side Hanging Brackets as shown using (4) 5/16" - 18 x 1" Carriage Bolts and (4) 5/16" - 18 Nylock Flange Nuts.



IMPORTANT!! Before attaching the Installation Bracket to your structure, you must insert (1) 1/2" - 13 x 1-1/2" Hex Bolt into the center mounting hole as shown.

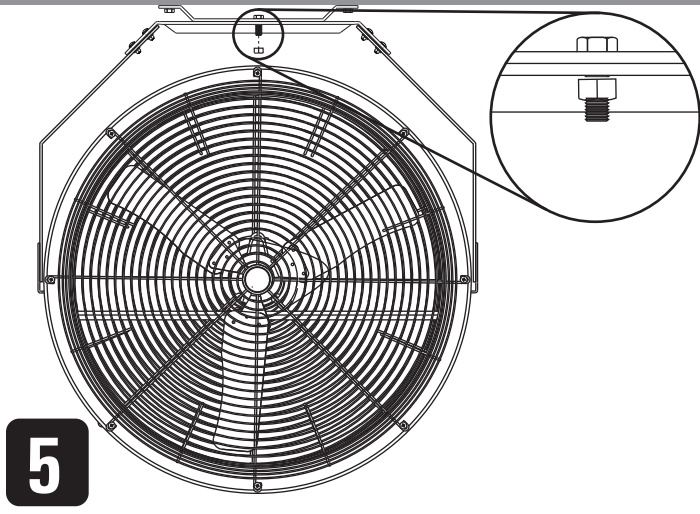


Attach the Installation Bracket to your structural beam or stud using hardware (*not provided*) that is capable of supporting 150 lbs (68 kgs).



Once the Installation Bracket is secured to your structure, lift and attach the Poly Chiller to the Installation Bracket by inserting the (1) 1/2" - 13 x 1-1/2" Hex Bolt through the hole in the Top Hanging Bracket. Secure using (1) 1/2" - 13 Nylock Nut.

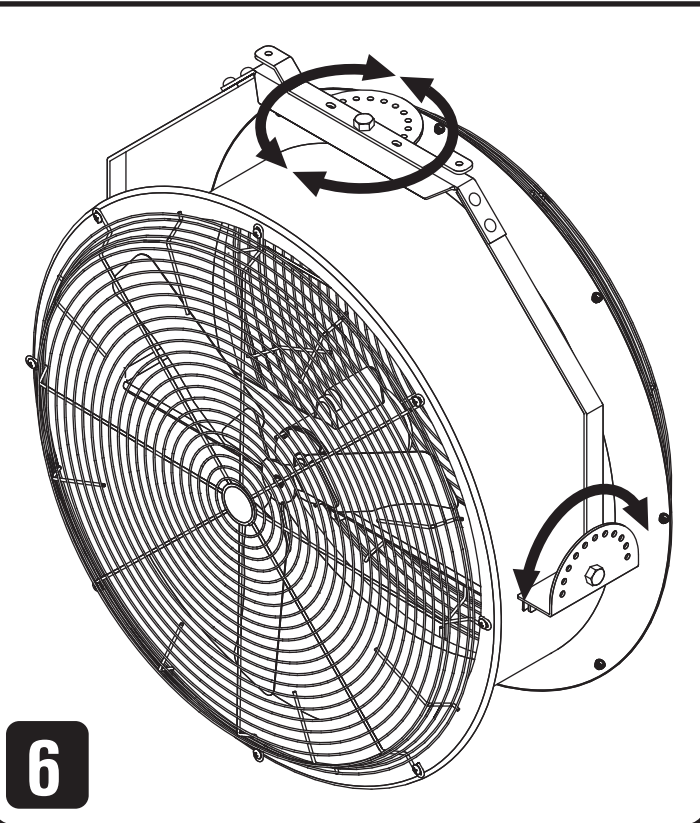
The Hex Bolt should be fully engaged with the Nylock Nut, and the brackets should fit together tightly.



5

Now that your Poly Chiller is securely installed to your structure, you may remove the (1) 3/8" - 16 x 1-1/4" Hex Bolt and (1) 3/8" - 16 Nylock Nut installed in the top tilt position in each Side Hanging Bracket in Step 1.

Tilt and rotate the fan to the desired position to direct airflow. Reinstall the Nuts and Bolts in the Side Hanging Brackets to lock the vertical tilt position. Lock the horizontal rotation of the fan by inserting (1) 3/8" - 16 x 1-1/4" Hex Bolt through one of the additional holes in the Installation Bracket, and into one of the multi-position holes in the Top Hanging Bracket. Secure with (1) 3/8" - 16 Nylock Nut.



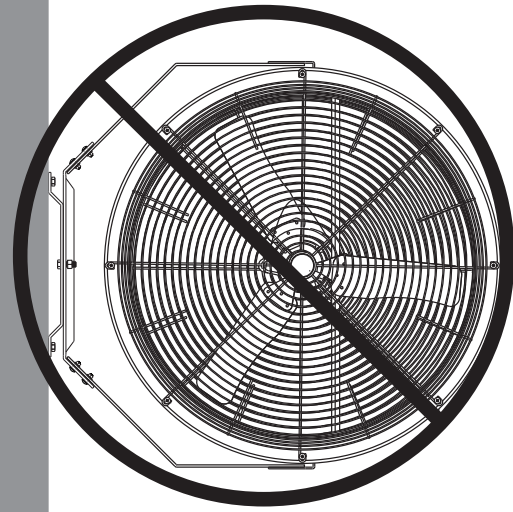
6



WARNING



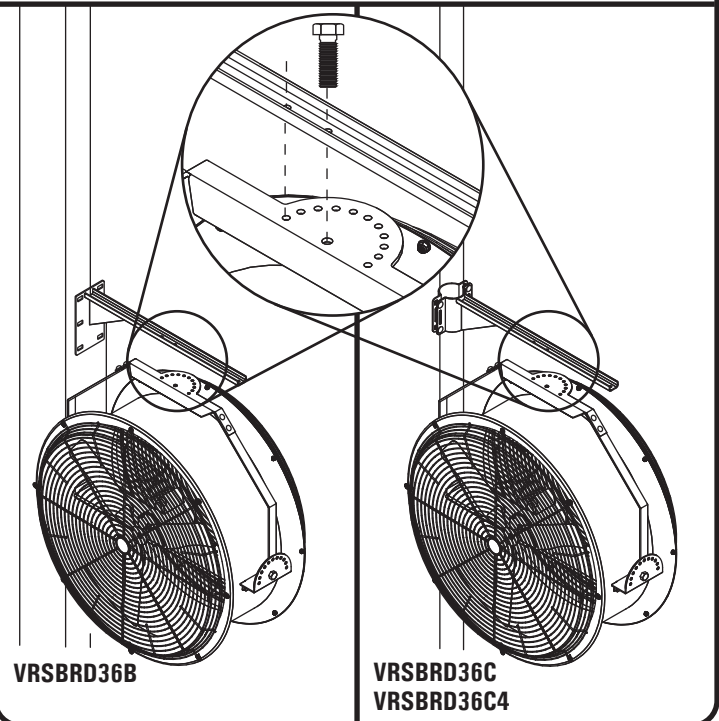
DO NOT mount the Poly Chiller with the bracket to the side of the fan as shown. The motor mount and fan mounting bracket are not structurally designed to support the fan in this orientation. Mounting the Poly Chiller in any way other than outlined in these installation instructions will void the fan warranty, and may cause severe injury or even death.



OPTIONAL MOUNTING BRACKETS

The top Installation Bracket is not used when mounting the Poly Chiller with the optional mounting brackets.

To use the optional mounting brackets, complete Step 1 and 2 of the standard installation. Secure the optional mounting bracket to a post or wall using hardware (not provided) that is capable of supporting 150 lbs (68 kgs). Lift and attach the Poly Chiller to the optional mounting bracket by inserting (1) 1/2" - 13 x 1-1/2" Hex Bolt through the hole in the optional mounting bracket and through the center hole in the Top Hanging Bracket as shown. Secure using (1) 1/2" - 13 Nylock Nut. Proceed with Step 6 of the standard installation instructions to tilt and rotate your fan.



VRSBRD36B

VRSBRD36C
VRSBRD36C4

POWERING UNIT

The Poly Chiller fan is available with or without a pre-wired cord. If the model you purchased includes an attached cord, proceed to step A for instructions on powering your fan. If you purchased a model without a cord, proceed to step B for wiring instructions.

A

- Plug cord into 115 AC grounded outlet that meets national, regional and local codes.
- Route electrical cord from motor to outlet with drip loop. Drip loop will drain accumulated moisture away from the motor and outlet.
- Only permit power to unit when shutter and guard is fully installed to prevent injury.

*Separate variable speed control is required to adjust fan speed.
Contact your dealer for more information.*

B

ALL ELECTRICAL WORK SHOULD BE COMPLETED BY QUALIFIED PERSONNEL AND MEET NATIONAL, REGIONAL AND LOCAL CODES.

- Install manual disconnect switch inside building adjacent to fan per national, regional, and local electrical codes.
- Route wire to motor with drip loop and secure. Drip loop will drain accumulated moisture away from the motor.
- Configure internal wires to match supply voltage and wire according to motor nameplate. Test to verify correct rotation.
- Only permit power to unit when shutter and guard is fully installed to prevent injury.

*Separate variable speed control is required to adjust fan speed.
Contact your dealer for more information.*

MAINTENANCE INSTRUCTIONS

- Disconnect power before cleaning or maintaining your fan in order to prevent serious injury or death.
- Service and repair of fan should only be completed by a qualified technician.
- For maximum efficiency and fan life, keep the following free from dirt and dust:
 - blades
 - housing
 - motor
 - guard
- The totally enclosed air over motor has sealed ball bearings and does not require additional lubrication.

J&D
Manufacturing

6200 Hwy 12 • Eau Claire, WI 54701 • 1-800-998-2398
Visit our website at www.jdmfg.com