

Instruction Sheet

Replacement Parts List

10490-435
Rev. 10/14

For Liquid Transfer Tank Models: 433000, 436000, 437000, 438000, 439000, 480000, 481000, 482000, 484000, 485000, 486000, 487000, 488000, 489000, & 498000

This Liquid Transfer Tank is designed for holding and transporting <119 gallons of Combustible Fuels and other liquids. Do not use these tanks with **FLAMMABLE** fuels such as gasoline.

■ The transportation of fuel is regulated in most states by the State Fire Marshal's office. Since these regulations vary from state to state, we recommend that you consult with the local Fire Marshal for your local regulations. All transportation of combustible liquids shall be in accordance with the U.S. Department of Transportation, (USDOT) Title 49 CFR and other local regulations.

■ This tank is furnished with a pre-vent fuel cap which is factory tested to relieve pressure at less than 4.0 PSI and vacuum released between 0 and -2.0 PSI. This cap is designed for tanks using gravity flow and/or power pumps with no greater withdrawal rates than 25 GPM with the pre-vent cap in place.

NOTICE

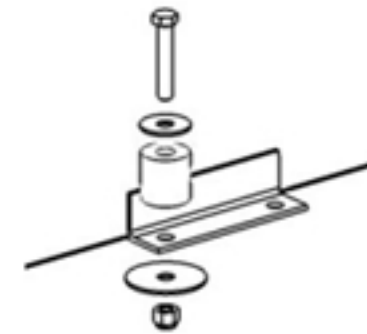
For your information: The two threaded openings on the top of the tank are standard 2" National Pipe Threads. There is a 2-1/2" tall overflow tube inside the tank under each of the two threaded openings. These tubes will prevent over filling the tank and will provide approximately 6% expansion zone.

REPLACEMENT PARTS

ITEM NO.	PART NO.	DESCRIPTION	QTY. REQ'D
1	10318-507	Tank Mounting Kit (Includes Items A-F Below)	1
A	82380	3/8"-16 X 3" Hex Hd. Bolt	4
B	82323	2" O.D. Washer	4
C	82357	3/8"-16 Nylon Hex Lock Nut	4
D	10319-73	Rubber Mount	4
E	10232	Combustible Decal	1
F	82325	1-1/4" O.D. Washer	4
2	1910-5	Pre-Vent Cap and Adapter	1

Installation Instructions

- Position the tank in the desired location in the bed of your pickup. Center the tank between the side walls of the bed. Mark the locations in the bed where you will need to drill four holes to secure the tank in the bed. Check underneath the truck to be sure that holes drilled in these locations will not penetrate fuel tanks, fuel lines, electrical wires, etc.
- Drill four 7/16" diameter holes in the locations you marked. (Failure to use all four mounting brackets can void the warranty.)
- Insert the bolts through the small washers and rubber mounts. Reposition the tank over the drilled holes and insert four (4) 3/8" diameter bolts (w/ washers & rubber mounts). Install the large flat washers on the bottom side of the truck bed. Install the nylon hex lock nuts and tighten securely.
- Apply the **COMBUSTIBLE** decal to the tank in a location where it will be most visible.



WARNING

- For **COMBUSTIBLE** liquid and other liquids only. Do not use this tank with **FLAMMABLE** liquids with a flashpoint <100F. Gasoline is considered a flammable liquid.
- This is considered a non-bulk fuel tank (<119 gallons) and is not to be used commercially or for interstate commerce.
- This tank must be securely mounted to the pickup bed.
- Do not cut or weld on this tank under any circumstances.
- Do not pressurize steel over 8 PSIG or aluminum over 6 PSIG.
- Do not lift this tank with Hoisting Loops with liquid in the tank.
- This tank is to be used only as a transfer tank and solely for private use. It must not, under any circumstances, be connected to the vehicle's existing fuel system as an auxiliary fuel tank.
- You must use a fuel filter in your pump system.
- You must use an automatic shut-off nozzle.
- Remove the pre-vent cap slowly with caution since 2.5 PSI of pressure can accumulate in this tank.
- This tank meets the USDOT requirements for combustible fuel only. It does not meet the USDOT requirements for flammable fuels. (Gasoline is a flammable fuel.)
- All rules on grounding, and bonding between tanks during product transfer, apply to truck fuel tank operations. Loading and unloading must be attended by a qualified person. Spill control kits should be readily available.

SAVE THIS INSTRUCTION SHEET

WARRANTY

This warranty is made by Delta Consolidated Industries (DCI), a division of Apex Tool Group, LLC to the original purchaser of this product made by DCI and is valid for one (1) year from date of purchase upon presentation of a copy of the original sales receipt at the time of the warranty claim. DCI warrants that the products it makes are free from defects in materials and workmanship at the time of the sale. This warranty does not cover damage caused by accident or unreasonable or unintended use of the product. Modification, disassembly and / or re-assembly of the product will invalidate this warranty. Damage to the contents of the box, vehicle or other consequential damages are excluded from this warranty.

In the case of a nonconforming product, you should return the product to the point of purchase or an authorized Delta retail / dealer store. The retailer or dealer will either repair or replace the product at their option if the product should prove to be defective in material or workmanship. If you feel that you have not been offered a satisfactory resolution to your Warranty issue, you may submit your request in writing for further consideration to the Warranty Department, Delta Consolidated Industries, Inc., 4800 Krueger Dr., Jonesboro, AR 72401. Explain in writing the nature of the problem and why you feel you have not been offered a satisfactory solution. Be sure to include the Model Number of the product and a copy of the sales receipt.

Note: This warranty applies solely to domestic sales and shipments made within the continental USA. It gives you specific legal rights in the USA, and you may have other rights imposed by one or more states in the USA.