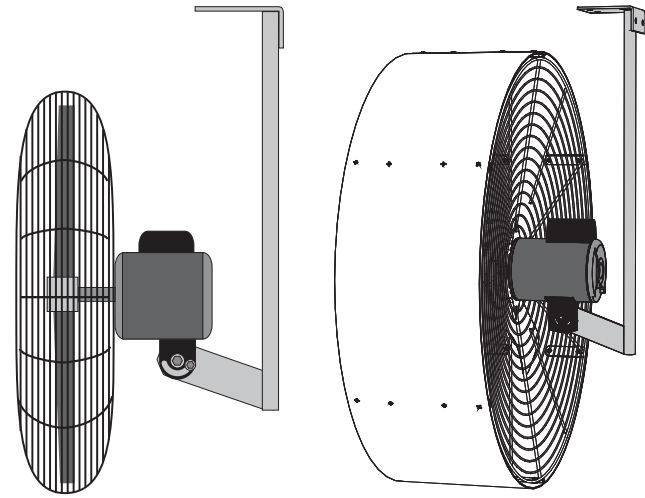
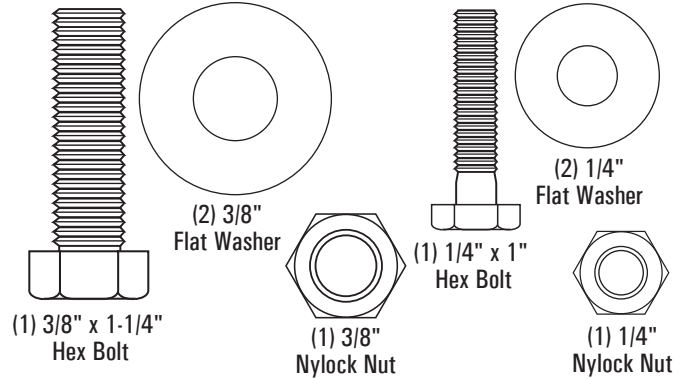


# J&D Manufacturing

## BARNSTORMER, GREEN BREEZE, EZ-BREEZE, POLY STORMER, AND HIGH OUTPUT DELUXE BASKET FAN



### INCLUDED ASSEMBLY HARDWARE - TO SCALE

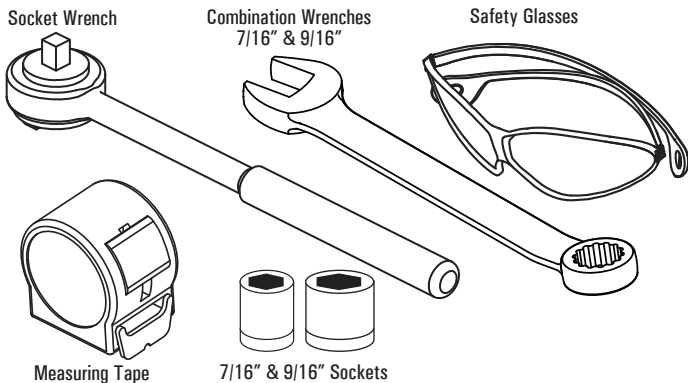


Green Breeze and EZ-Breeze models include additional mounting hardware. See **Page 4** for further information and instructions.

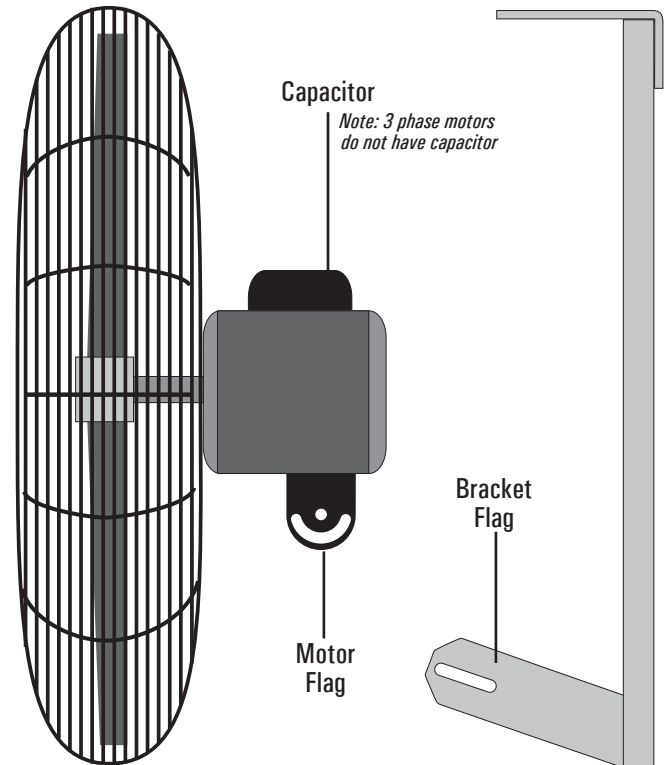
## WARRANTY

J&D Manufacturing warrants all products are free from defects in materials and workmanship under normal use for the period of one year from date of purchase. Our warranty does not cover normal or regular wear and tear. J&D Manufacturing can repair or replace at our option, any product or part of the product that is found to be defective. Our warranty applies to materials only, and does not include return freight, delivery, loss or damage to personal property, cost of removal or installation, any incidental or consequential damages or labor. This warranty does not apply to products which are misused, abused, altered, improperly installed or subject to negligence. All warranties must be approved through our warranty department. The original purchaser must present a copy of the invoice for the defective product. One year is our standard warranty unless specified on our literature or in the installation instructions or user manuals.

### RECOMMENDED TOOLS FOR ASSEMBLY (NOT PROVIDED)



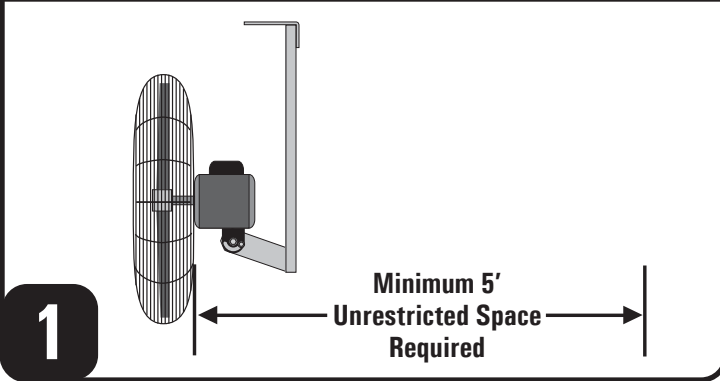
## PARTS LEGEND



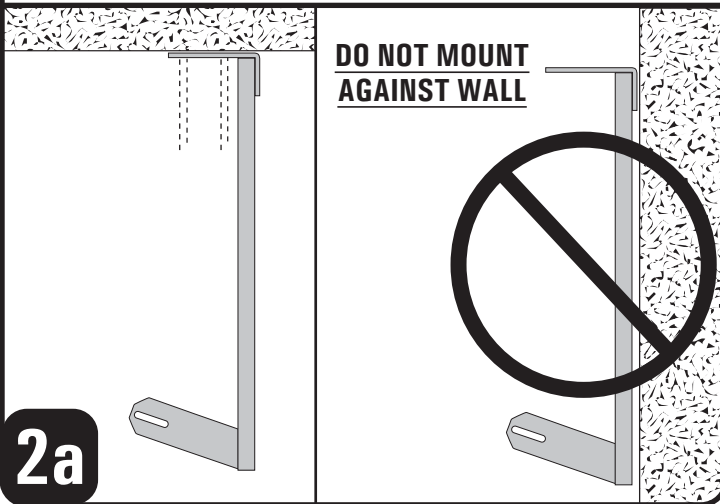
## INSTALLATION

Please read over all instructions carefully before you begin. If you have any questions please call your local dealer, or contact J&D Manufacturing at 1-800-998-2398.

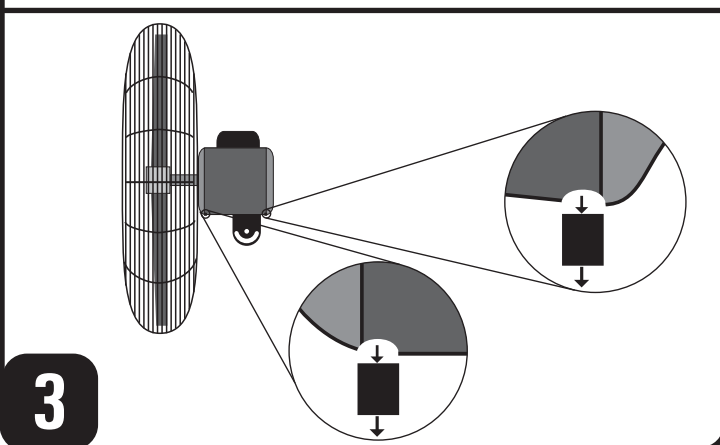
It is important to select a proper location when mounting your circulation fan. You must provide a minimum of 5' unrestricted air flow on the back side of the fan. Failure to provide the space needed for airflow may reduce motor life and void the warranty.



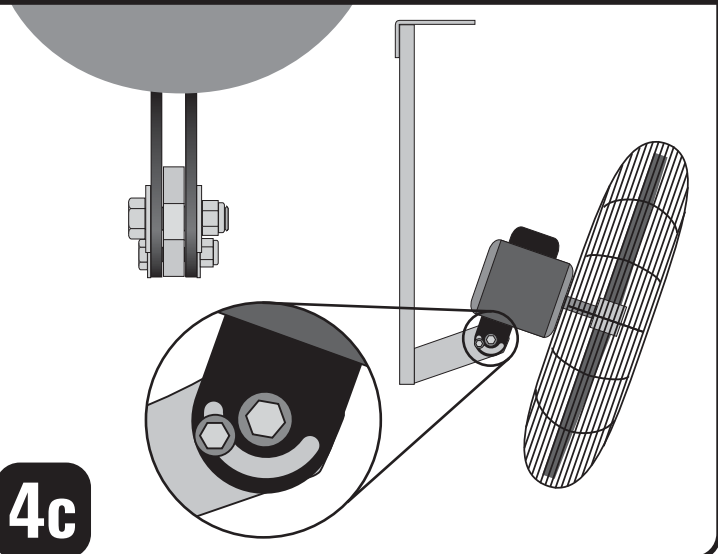
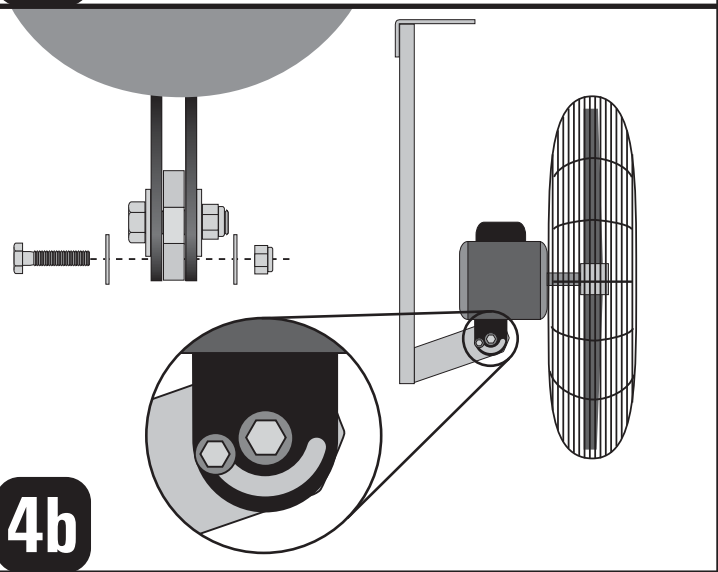
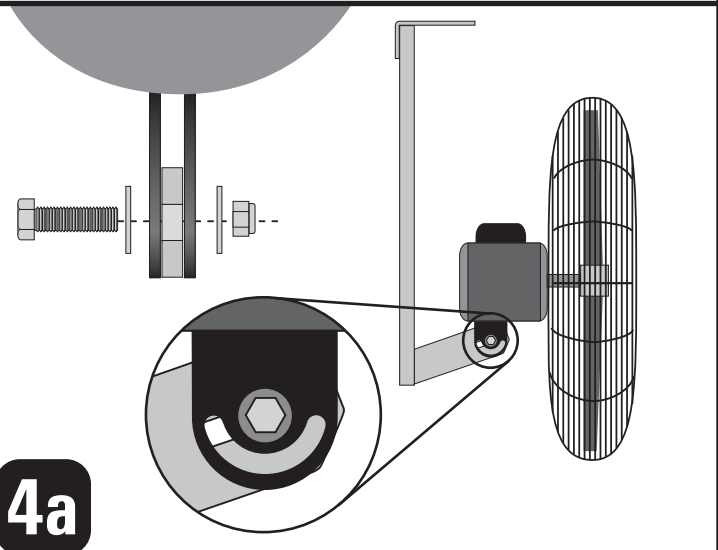
If mounting bracket to structure, verify anchor points are strong enough for added weight of bracket and fan. Attach top of bracket to structure with (4) washers and (4) screws or bolts with nylock nuts (not provided) suitable for your structure. **DO NOT** attach bracket to or against wall as this will not give motor enough unrestricted air flow. (For pipe mount instructions see Page 4 Step 2b.)



Prep motor for use by removing the 2 drain plugs located on the bottom (flag mount) side of the motor. Removal of these plugs allows for drainage of any moisture that might get inside the motor. **DO NOT** remove the plugs on the top (capacitor) side of motor. Removal of these plugs will void warranty and allow dirt and moisture into the motor, reducing the life of the motor.

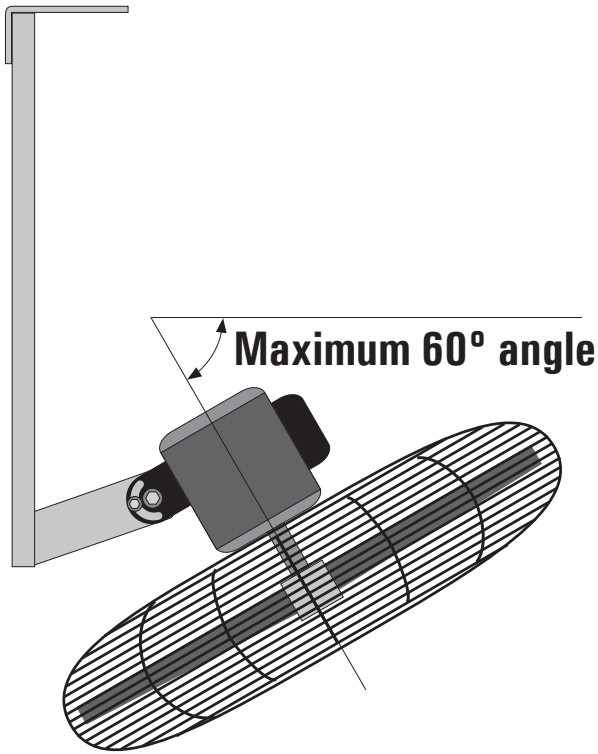


Attach fan to bracket by inserting bracket flag in between the motor flags. Secure by using the center holes on the motor flags with (1) 3/8" x 1-1/4 hex bolt, (2) 3/8" washers and (1) 3/8" nylock nut as shown in **Step 4a**. Using the crescent openings on the motor flags, install the (1) 1/4" x 1- hex bolt, (2) 1/4" washers and (1) 1/4" nylock nut as shown in **Step 4b**. Adjust the fan to the desired angle and tighten hardware to secure fan angle as shown in **Step 4c**.

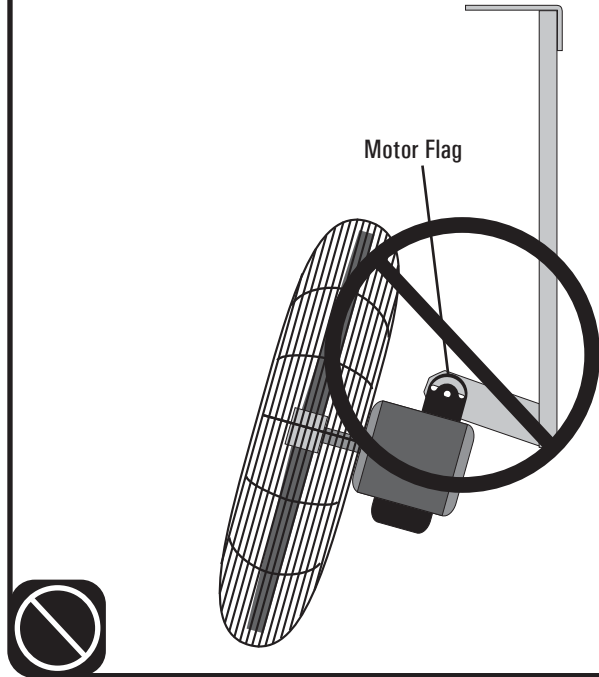


## ADDITIONAL CLARIFICATIONS AND WARNINGS

Do NOT operate fan with the motor mounted at an angle larger than 60° from horizontal. This will void the warranty.



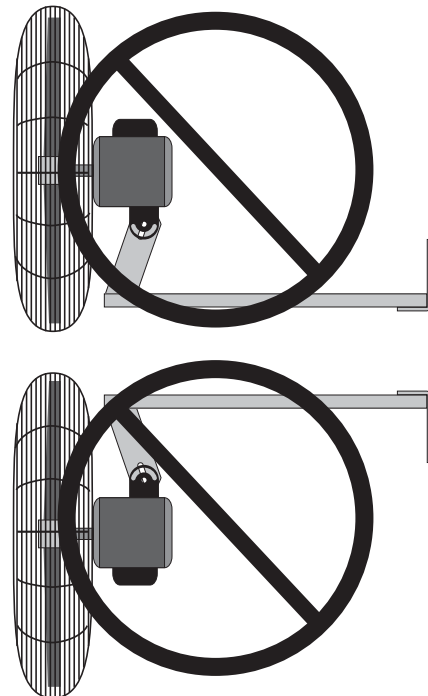
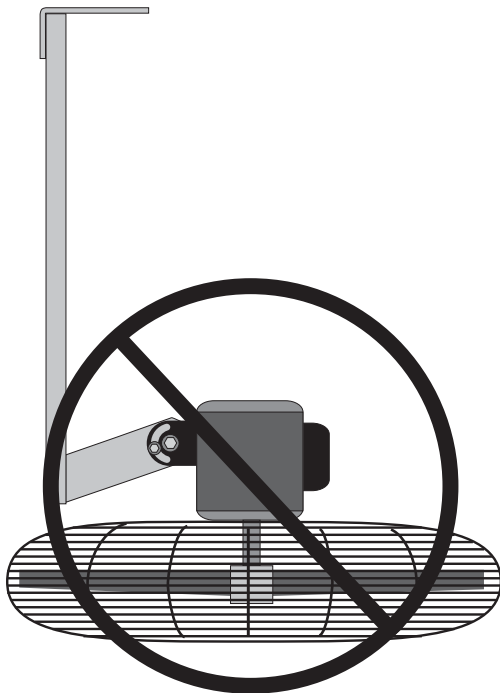
Do NOT mount fan with the motor flag mount pointed upward as shown below. This can cause moisture to build up in the capacitor cap and motor housing and cause a short. Mounting the fan this way will void the warranty.



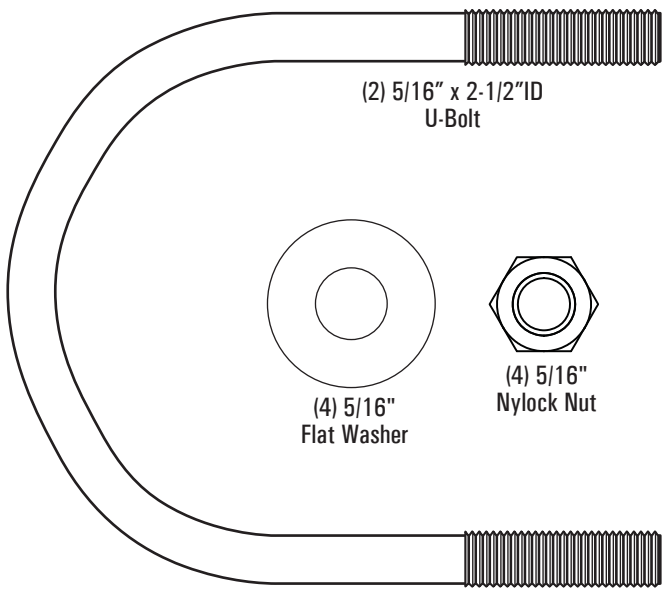
Do NOT mount bracket horizontally. The included bracket was not designed to be mounted this way and cannot withstand the structural stress caused by the weight and movement of the fan. Mounting the bracket and fan this way will void the warranty.

J&D Manufacturing has a wide variety of horizontal brackets and additional options for mounting. Contact J&D or call your J&D dealer for more information.

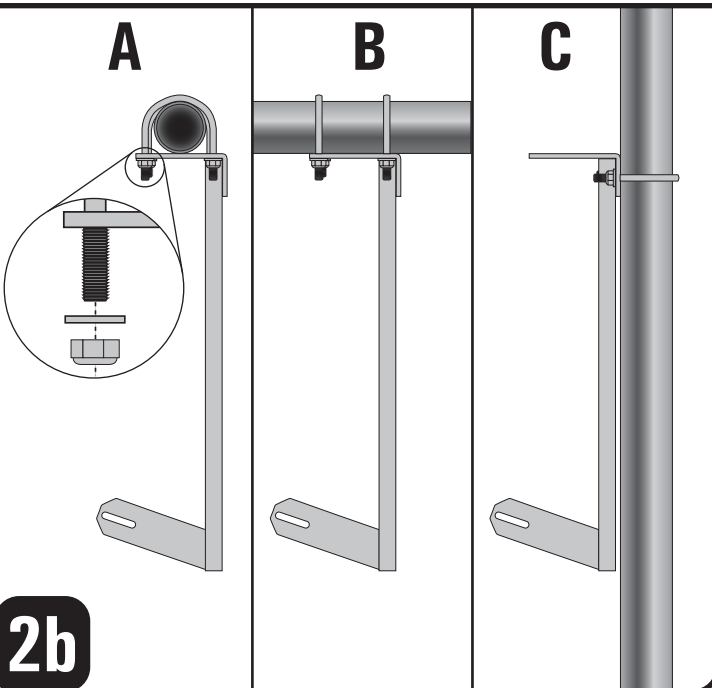
Do NOT operate the fan with the motor mounted in a vertical orientation, or at any angle larger than 60° from horizontal as shown above. Mounting the fan this way will void the warranty.



## ADDITIONAL INCLUDED HARDWARE FOR THE GREEN BREEZE AND EZ-BREEZE FANS - TO SCALE



Using the installation hardware shown above you can mount the included bracket as shown below. Drawing "C" is acceptable without contradicting the space requirement mentioned in step 1 on page 2 as long as there is nothing behind the pipe to impede air flow. Use (2) 5/16" flat washers and (2) 5/16" nylock nuts for each u-bolt used, assembled as shown below in drawing A.



**⚠ DISCONNECT POWER BEFORE INSTALLING OR SERVICING. ⚠**

ALL ELECTRICAL WORK SHOULD BE COMPLETED BY QUALIFIED PERSONNEL AND MEET NATIONAL (NEC), REGIONAL AND LOCAL ELECTRIC CODES.

## PROVIDING POWER TO FAN

### Instructions for corded models

- Provide a grounded outlet that meets or exceeds the load capability for your fan.

### Wiring instructions for non corded models

- Wiring should only be performed by a trained electrician to prevent injury or death.
- Install manual disconnect switch inside building adjacent to fan.
- Route wire to motor with drip loop and secure. Drip loop will drain accumulated moisture away from the motor.
- Configure internal wires to match supply voltage and wire according to motor nameplate. Test to verify correct rotation.
- Only permit power to unit when guard and motor's cover plate is properly installed to prevent injury.

## MAINTENANCE INSTRUCTIONS

- Disconnect power before cleaning or maintaining your fan in order to prevent serious injury or death.
- Service and repair of fan should only be completed by a qualified technician.
- For maximum efficiency and fan life, keep the following free from dirt and dust: blades, motor and guard.
- The totally enclosed air over motor has sealed ball bearings and does not require additional oil.

## OPTIONAL BRACKETS FOR FLAG MOUNT BASKET FANS

Part #	Fan Size	Description
<b>Side Mount Brackets</b>		
VRSBR14	12"-36"	42" Extended Bracket, fits Square or Round Up Post
VRSBR143	12"-36"	42" Extended Bracket, fits 3" Tube - Bolt On
VRSBR144	12"-36"	42" Extended Bracket, fits 4" Tube - Bolt On
VRSBR14412	12"-36"	42" Extended Bracket, 4 1/2" Tube - Bolt On
VRSB901	12"-36"	Wall Mount Bracket
<b>Ceiling Mount Brackets</b>		
VRSBR2-HDG	12"-24"	6-Way Bracket
VRSBR3-HDG	36"	6-Way Bracket
<b>Pole Mount Bracket</b>		
VRSBR12	12"-36"	Pole Bracket, fits 4"-4 1/2" Tube
VRSBR13	12"-36"	Pole Bracket, fits 3"-3 1/2" Tube



**J&D  
Manufacturing**

Visit our website at [www.jdmfg.com](http://www.jdmfg.com)