

AirFiciency CF60 UL507 Listed Ceiling Fan

Read Instructions carefully before assembling or installing your fan.

It is important that you observe all safety information to help prevent personal injury and/or property damage.

IS168-08K

Warranty

The retailer warrants the fan motor to be free from defects in workmanship and material present at time of shipment from the factory for a lifetime after the date of purchase by the original purchaser. The retailer also warrants all other fan parts to be free from defects in workmanship and material at the time of shipment from the factory for a period of one year after the date of purchase by the original purchaser. We agree to correct such defects without charge or at our option, replace with a comparable or superior model if the product is returned to the retailer. To obtain warranty service, you must present a copy of the receipt as proof of purchase. All costs of removing and reinstalling the product are your responsibility. Damage to any part such as by accident or misuse or improper installation or affixing any accessories, is not covered by this warranty. A certain amount of "wobble" is normal and should not be considered a defect. Service performed by unauthorized persons shall render the warranty invalid. There is no other express warranty. This warranty does not apply to any damage that is the result of rust or corrosion. The retailer hereby disclaims any and all warranties, including but not limited to, those of merchantability and fitness for a particular purpose to the extent permitted by law. The duration of any implied warranty which cannot be disclaimed is limited to the time period as specified in the express warranty. Some states do not allow limitation on how long an implied warranty lasts, so the above limitation may not apply to you. The retailer shall not be liable for the incidental, consequential, or special damages arising out of or in connection with product use or performance except as may otherwise be accorded by law. Some states do not allow the exclusion of incidental or consequential damages, so the above exclusion or limitation may not apply to you. This warranty gives specific legal rights, and supersedes all prior warranties. Shipping costs for any return of product as part of a claim on the warranty must be paid by the customer

READ AND SAVE THESE INSTRUCTIONS.

Important Safety Instructions

1. **WARNING - Installation work and electrical wiring should be done by qualified persons only in accordance with all applicable codes and standards.**
2. **WARNING - Unplug or disconnect the fan before servicing.**
3. **WARNING - Use this fan only in the manner intended by the manufacturer. This fan is intended for permanent installation and to be used for air circulation only.**
4. **WARNING - The secondary support cable included with the fan must be properly connected.**
5. **WARNING - The fan shall be supported directly from the building structure. Caution: To reduce risk of injury, use only the enclosed hardware as the primary means of support.**
6. **WARNING - To reduce the risk of personal injury, do not bend the blade brackets when installing the brackets, balancing the blades, or cleaning the fan. Do not insert foreign objects in between rotating fan blades.**
7. **WARNING - Ceiling fans without guards are to be installed at least ten feet above floor with adequate clearance between blades and adjacent walls, furnishing, etc.**
8. **WARNING - When mounted in a cathedral ceiling, blade tips should be at least one foot from the angled roof line or air turbulence may cause fan to sway.**
9. **WARNING - The supporting beam must be capable of holding at least 80 pounds (or the weight of the fan plus any accessories that might be added).**
10. **WARNING - Ceiling fans installed with ceiling fan guards must be installed with J - bolt hardware provided, and must be attached directly to the building structure.**
11. **WARNING - To reduce the risk of fire or electric shock, do not use this fan with any solid - state speed control device.**
12. **WARNING - Do not operate any fan with a damaged cord or plug. Discard fan or return to an authorized service facility for examination and/or repair.**

Parts List

- 1- Pre-assembled fan without blades
- 3- Blades with brackets attached
- 6- Bolts attached to motor housing
- 1- J-Hook mounting bolt
- 2 each – lock washers, flat washers and nuts
- 1- J-Hook secondary support bolt

Unpacking

- Carefully remove fan and parts from carton and check for shipping damage.
- Check parts list against carton contents.
- Do not install blades before mounting fan.
- Connect fan to temporary power source to check electrical operation.

Electrical Hookup

All electrical hookups should be made by a qualified person.
Check state and local codes to assure proper hookup.

Tools and Supplies

- Screwdrivers, slot and Phillips head
- Adjustable crescent wrench
- Wire connectors
- Metal outlet box grounded, single receptacle

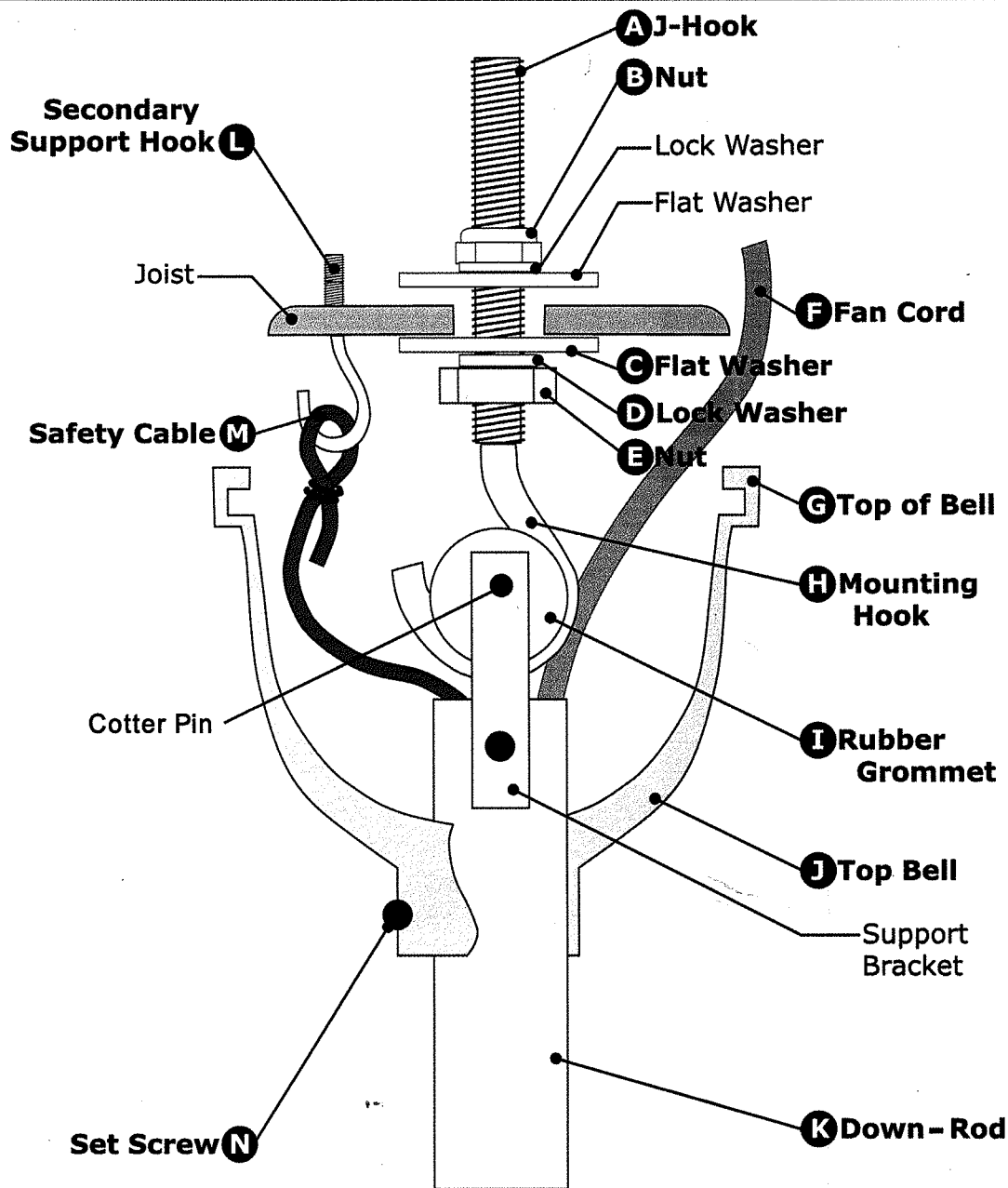
Installation

1. The installation shall be in accordance with the National Electrical Code, ANSI/NFPA 70 - 1999 and local codes. Disconnect power at main service panel. Lock in open position and tag it to prevent unexpected power application.
2. Check that power source conforms to electrical requirements of fan.

J-Hook Mounting (see figure 1)

1. Wind one nut (E) down to bottom of J-Hook (A) towards the curve. Add a lock washer (D), then a flat washer (C) on top of nut. Do not use a lag bolt to replace J-Hook.
2. Put hook through opening in I beam/Joist. Add flat washer, then lock washer, and nut (B). Do not tighten nut completely until fan is put in place on J-Hook (Step4).
3. Loosen set screw (N) of top bell (J) on fan down-rod (K) and lower the bell to make room to place rubber grommet (I) onto mounting hook (H).
4. Tighten top nut (B) on J-Hook to raise fan into the proper installation position.
5. Install secondary support hook (L) next to mounting hook so both will fit within area of top bell.
6. Double loop the safety cable loop (M) over the secondary support hook (L), leaving some slack.
7. Safety cable loop can be clamped for more security.
8. Connect the fan cord (F) to the receptacle. (Note: Use Only on GFCI Protected Receptacles.)
9. Move top bell back up the down-rod to cover both mounting and support hooks. Leave 1/8" gap between top of bell (G) and hanging surface (so down-rod does not move off center which could make fan wobble or vibrate). Tighten set screw (N).

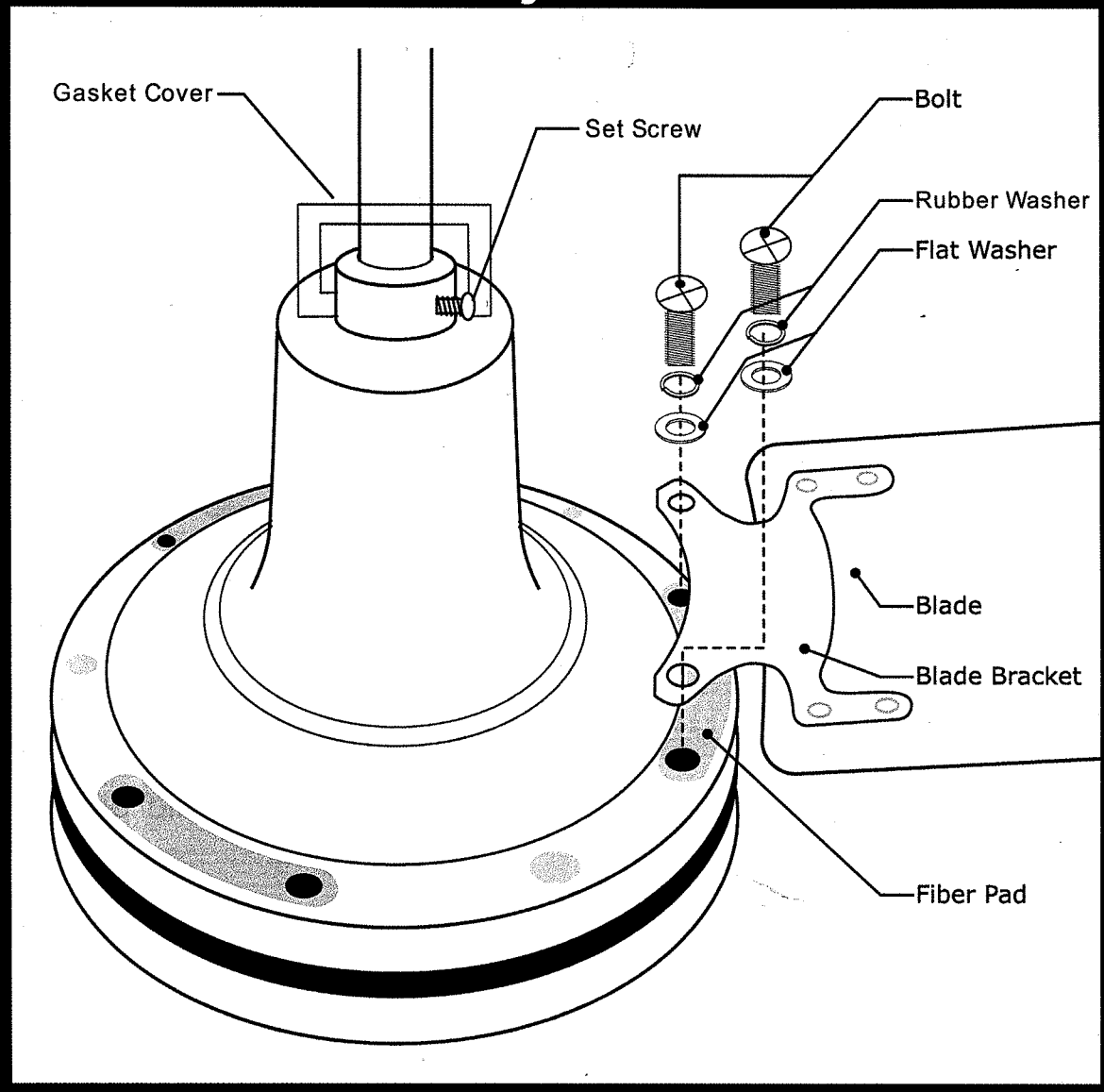
Figure 1



Attach Blades (see figure 2)

- 1. Bolts, flat washers, and fiber pads for attaching blades are located on the motor housing.**
- 2. Brackets come already installed on blades.**
- 3. Remove bolts from fan motor as shown in figure 2.**
- 4. Leaving fiber pad in place on motor housing, set bracket over holes and reinstall the bolts in their original holes. Tighten into motor housing. Do not over tighten.**
- 5. When all three blades are attached turn power back on and test function.**

Figure 2



Product Safety Inspection (After installation)

Check the following as a product safety inspection before completing your installation.

Figure 1

1. Make sure cotter pin is in place and secure.
2. Make sure safety cable (M) is in correct position.
3. Make sure both nuts (E) and (B) are secure on J-Hook.
4. Make sure upper bell set screw (N) is tight on down - rod. Leave 1/8" between bell and hanging surface.

Figure 2

1. Important - make sure set screw of lower bell is tight to assure effective water resistance.
2. After reversing the fan, make sure the sealed gasket is in the correct place to prevent electrical components from water damage.