



## **3PT 6' Spike Drag**

### **OWNER'S MANUAL**



#### **WARNING:**

Read carefully and understand all **ASSEMBLY AND OPERATION INSTRUCTIONS** before operating. Failure to follow the safety rules and other basic safety precautions may result in serious personal injury.

**Model # FTF-063PTSD**

Thank you very much for choosing this product! For future reference, please complete the owner's record below:

Model: \_\_\_\_\_ Purchase Date: \_\_\_\_\_

Save the receipt, warranty and these instructions. It is important that you read the entire manual to become familiar with this product before you begin using it.

This product is designed for certain applications only. The manufacturer cannot be responsible for issues arising from modification. We strongly recommend this product not be modified and/or used for any application other than that for which it was designed. If you have any questions relative to a particular application, DO NOT use the product until you have first contacted us to determine if it can or should be performed on the product.

For technical questions please call **1-218-943-6296**.

## TECHNICAL SPECIFICATIONS

Item	Description
Coverage	6' wide area
Spikes	3.75" long
Category	Fits category 1 tractors

## GENERAL SAFETY RULES



**WARNING:** Read and understand all instructions. Failure to follow all instructions listed below may result in serious injury.



**CAUTION:** Do not allow persons to operate or assemble this 3PT 6' Spike Drag until they have read this manual and have developed a thorough understanding of how the spike drag works.



**WARNING:** The warnings, cautions, and instructions discussed in this instruction manual cannot cover all possible conditions or situations that could occur. It must be understood by the operator that common sense and caution are factors which cannot be built into this product, but must be supplied by the operator.

## SAVE THESE INSTRUCTIONS

## WORK AREA

- **Keep work area clean**, free of clutter and well lit. Cluttered and dark work areas can cause accidents.
- **Keep children and bystanders** away while operating a 3PT 6' Spike Drag. Distractions can cause you to lose control, so visitors should remain at a safe distance from the work area.
- **Be alert of your surroundings.** Using a 3PT 6' Spike Drag in confined work areas may put you dangerously close to cutting tools and rotating parts.

## PERSONAL SAFETY

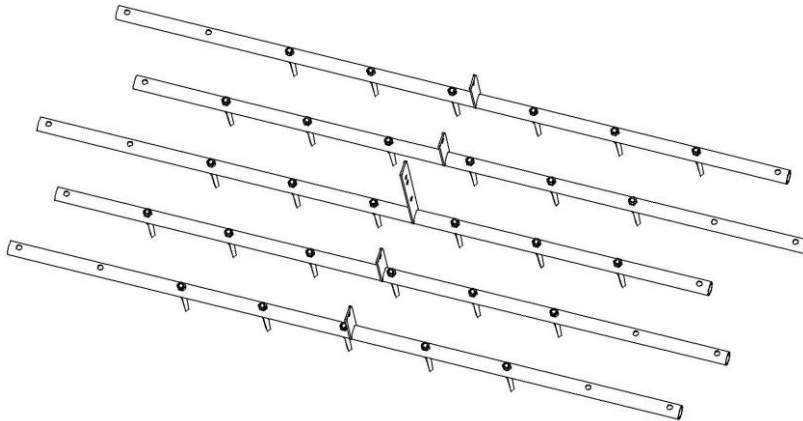
- **Stay alert**, watch what you are doing and use common sense when using a 3PT 6' Spike Drag. Do not use a 3PT 6' Spike Drag while you are tired or under the influence of drugs, alcohol or medication. A moment of inattention while operating a 3PT 6' Spike Drag may result in serious personal injury.
- **Dress properly.** Do not wear loose clothing, dangling objects, or jewelry. Keep your hair, clothing and gloves away from moving parts. Loose clothes, jewelry or long hair can be caught in moving parts.
- **Use safety apparel and equipment.** Use safety goggles or safety glasses with side shields which comply with current national standards, or when needed, a face shield. Use a dust mask if working in dusty work conditions. This applies to all persons in the work area. Also use non-skid safety shoes, hardhat, gloves, dust collection systems, and hearing protection when appropriate.

## 3PT 6' Spike Drag USE AND CARE

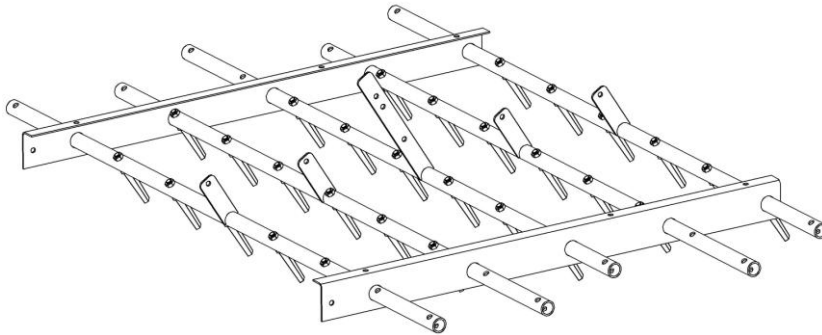
- **Do not modify the 3PT 6' Spike Drag in any way.** Unauthorized modification may impair the function and/or safety and could affect the life of the equipment. There are specific applications for which the 3PT 6' Spike Drag was designed.
- **Always check for damaged or worn out parts before using the 3PT 6' Spike Drag.** Broken parts will affect the 3PT 6' Spike Drag operation. Replace or repair damaged or worn parts immediately.
- **Do not place additional weight on the 3PT 6' Spike Drag.**
- **Use the 3PT 6' Spike Drag on flat and level surfaces.** Pulling a load on a slanted or uneven surface can result in loss of control or injury.
- **Store idle 3PT 6' Spike Drag.** When 3PT 6' Spike Drag is not in use, store it in a secure place out of the reach of children. Inspect it for good working condition prior to storage and before re-use. Always store with the spikes down.

## ASSEMBLY

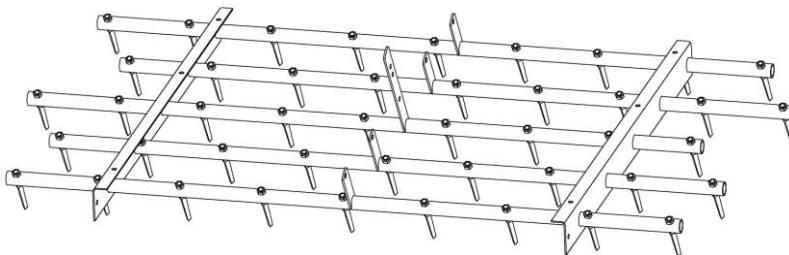
1. Install 29pcs Spikes (#5) on the Pipes (#1#2#3) with Self-locking nuts (#13) as below picture shows. Note: The bottom face of the spikes are all facing back.



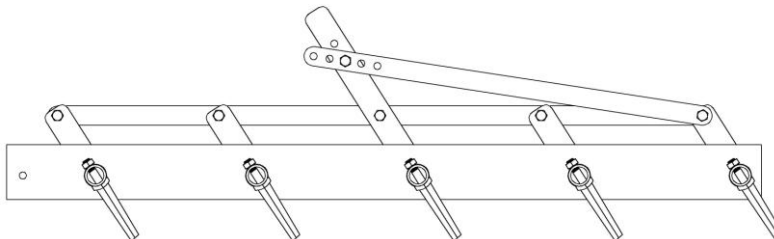
2. Insert Lift connecting plate (#6) and Right connecting plate (#7) into the Pipes (#1#2#3) in turns.



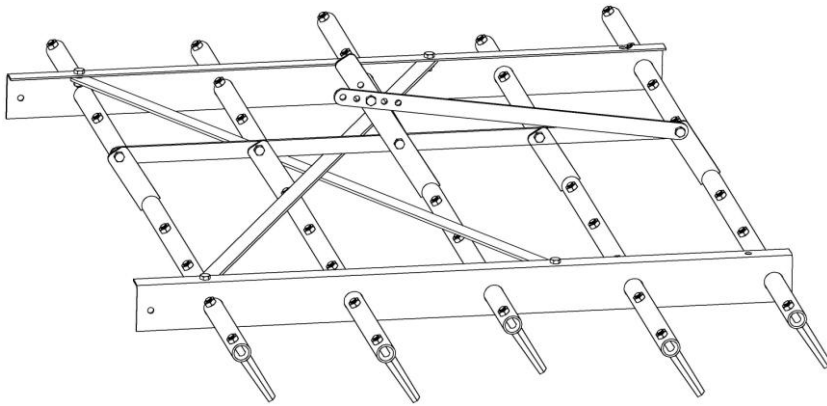
3. Install remaining 16pcs Spikes (#5) on the Pipes (#1#2#3) with Self-locking nuts (#13) as below picture shows. Note: All the Spikes are facing same direction.



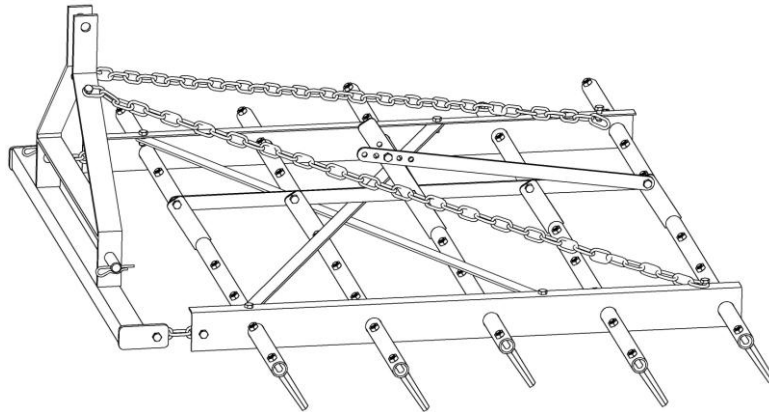
4. Attach connecting board on the pipes and Connect flat bar (#9) with Self-locking nuts (#11) and Bolt (#12). Install Regulating flat bar (#8) on the last hole. Attach Regulating flat bar (#8) and middle pipes with Bolt (#12), Spring washer (#14), Washer (#15) and Bolt (#16).



5. Attach Fixed flat bar (#10) and two Lift connecting plates (#6) and Right connecting plate (#7) with Self-locking nuts (#11) and Bolt (#12).



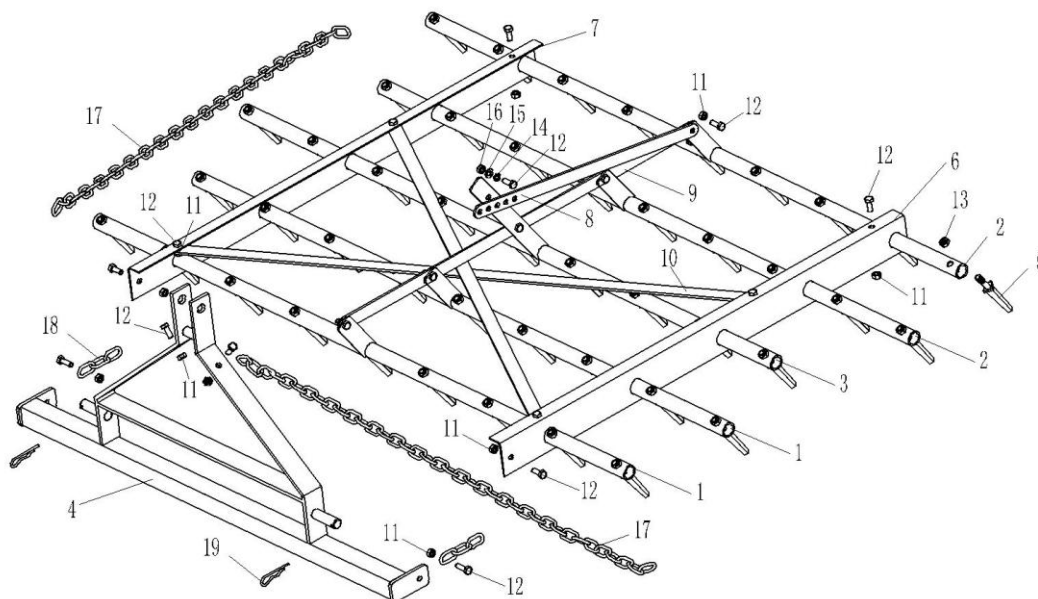
6. Attached Long chain (#17) and Short (#18) to Lift connecting plates (#6), Right connecting plate (#7) and 3pt connector (#4) with Self-locking nuts (#11) and Bolt (#12). Insert Pin (#19) into 3pt connector (#4).



## MAINTENANCE

- **Maintain your 3PT 6' Spike Drag.** It is recommended that the general condition of any 3PT 6' Spike Drag be examined before it is used. Keep your 3PT 6' Spike Drag in good repair by adopting a program of conscientious repair and maintenance. If any abnormal vibrations or noise occurs, have the problem corrected before further use. Have necessary repairs made by qualified service personnel.

# DIAGRAM & PARTS LIST



Part#	Description	Qty.	Part#	Description	Qty.
1	Pipe 1&2	2	11	Self-locking nuts M10	15
2	Pipe 4&5	2	12	Bolt M10x25	16
3	Pipe 3	1	13	Self-locking nuts M12	45
4	3pt connector	1	14	Spring washer 10	1
5	Spikes	45	15	Washer 10	1
6	Lift connecting plate	1	16	Bolt M10	1
7	Right connecting plate	1	17	Long chain	2
8	Regulating flat bar	1	18	Short chain	2
9	Connect flat bar	1	19	Pin	2
10	Fixed flat bar	2			

For replacement parts and technical questions, please call **1-218-943-6296**.

## WARRANTY

One-year limited parts warranty



PO BOX 203  
Miltona, MN 56354  
MADE IN CHINA