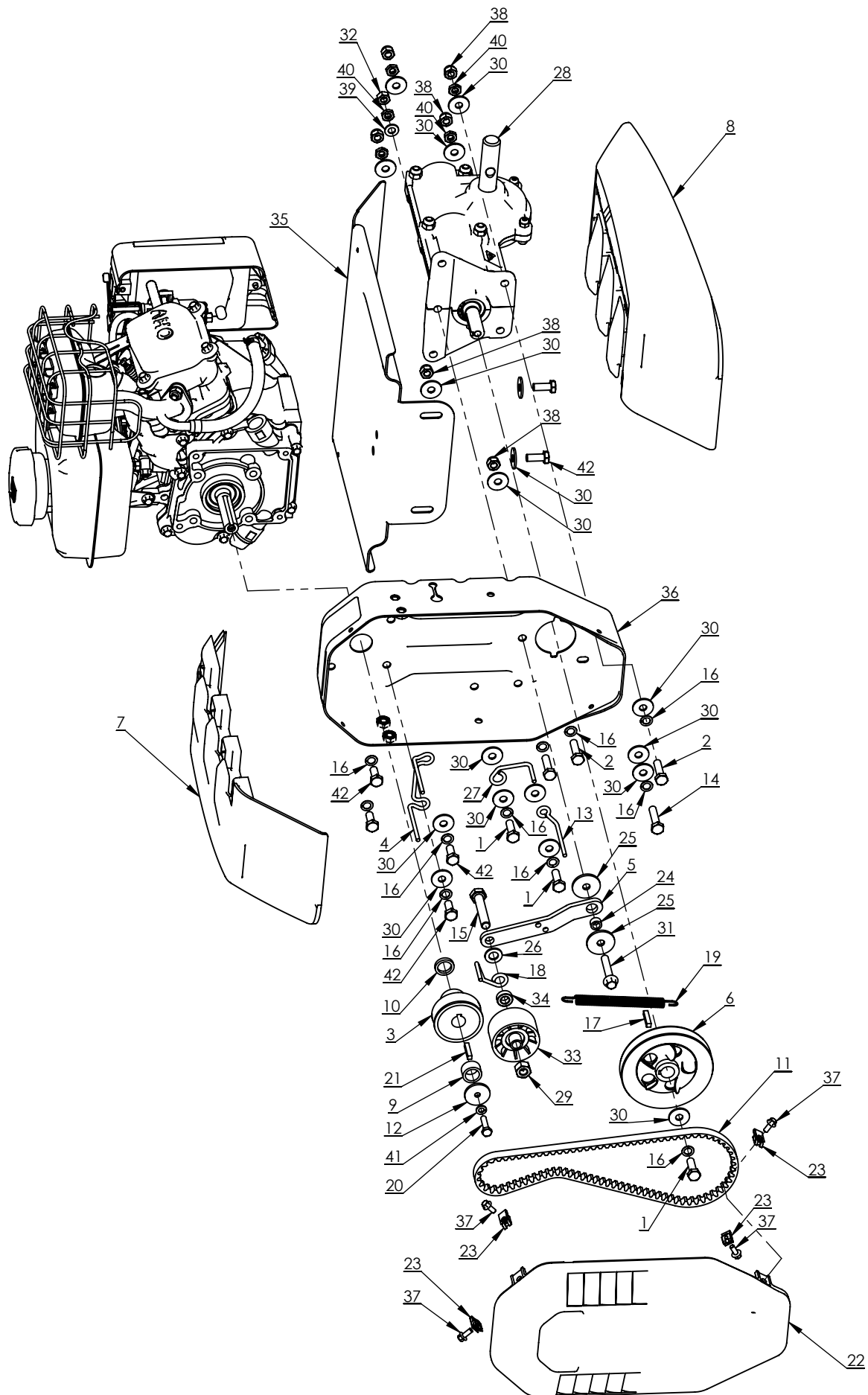
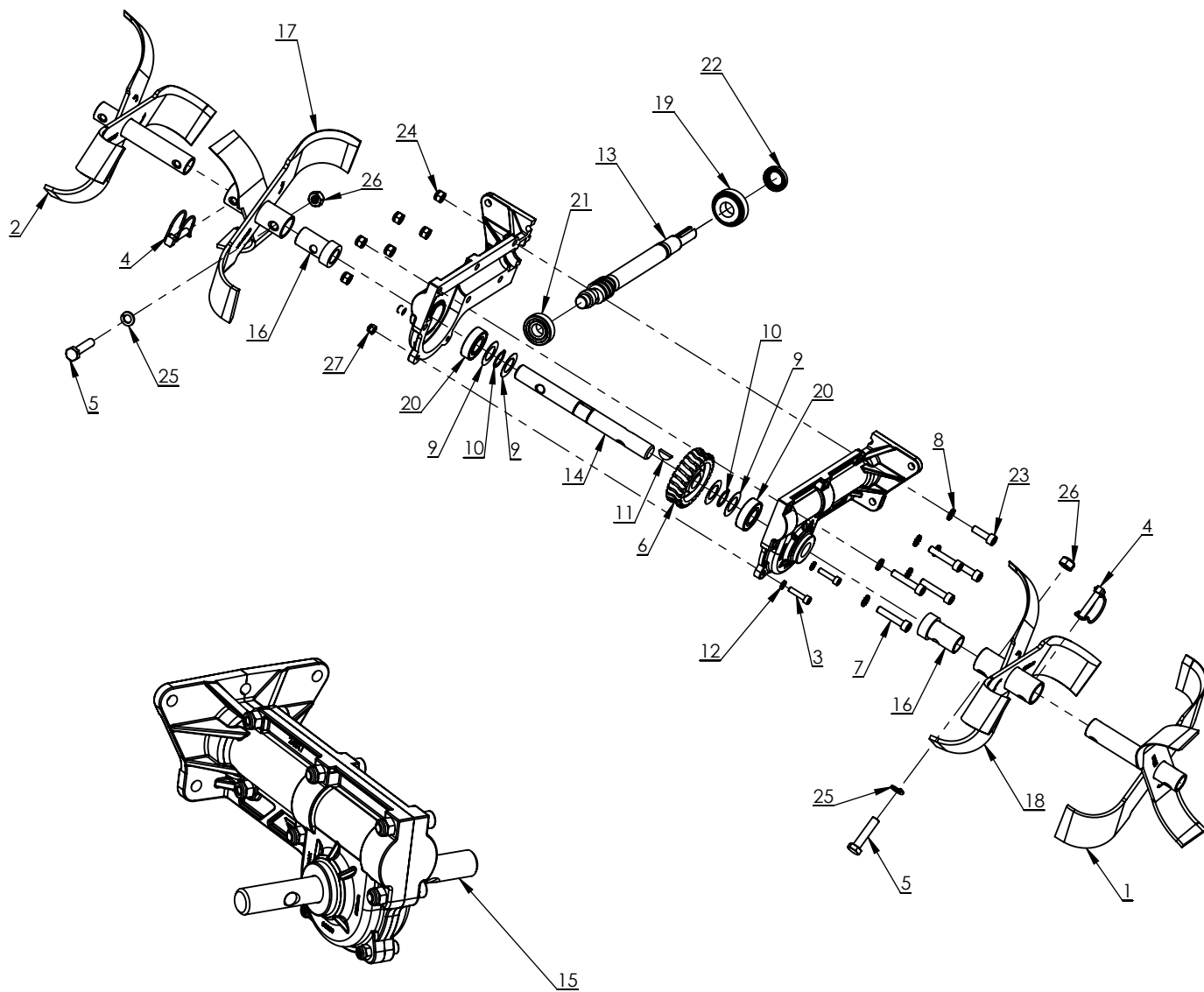


| REF./<br>REP. | PART NO.<br>/° RÉF. | DESCRIPTION                 |   |
|---------------|---------------------|-----------------------------|---|
| 1             | 10517               | WASHER M16                  | 4 |
| 2             | 12770               | BOLT M8 X 1.25 X 40MM       | 2 |
| 3             | 13159               | SHOULDER BOLT M5 X 0.8MM    | 1 |
| 4             | 13222               | SOCKET BOLT M6 X 1.0 X 25MM | 1 |
| 5             | 13599               | FLANGE LOCK NUT M6 X 1.0MM  | 1 |
| 6             | 13833               | GRIP BLACK                  | 2 |
| 7             | 14902               | LEVER BLACK                 | 1 |
| 8             | 15856               | WHEEL 8 IN GREY             | 2 |
| 9             | 17987               | LOCK NUT M12 X 1.75         | 2 |
| 10            | 18039               | LOCK PIN 8 X 40MM           | 1 |
| 11            | 18098               | BOLT M8 X 1.25 X 45MM       | 2 |
| 12            | 19922               | FLANGE BOLT M8 X1.25 X 40MM | 4 |
| 13            | 20056               | TUBE PLUG BLACK             | 2 |
| 14            | 20057               | KNOB BOLT M8 X 1.25         | 2 |
| 15            | 20347               | SOCKET BOLT M6 X 1.0 X 35MM | 1 |
| 16            | 25985               | SHOULDER BOLT M12 X 1.75 MM | 2 |
| 17            | 28208               | DRAG STAKE                  | 1 |
| 18            | 30267               | DRIVE CABLE WITH NUTS       | 1 |
| 19            | 3245                | WASHER M8                   | 8 |
| 20            | 3248                | FLANGE NUT M5 X 0.8MM       | 1 |
| 21            | 3308                | WASHER M5                   | 1 |
| 22            | 37427               | HANDLE BLACK                | 2 |

| REF./<br>REP. | PART NO.<br>/° RÉF. | DESCRIPTION                   |   |
|---------------|---------------------|-------------------------------|---|
| 23            | 37749               | HANDLEBAR LEFT BLACK          | 1 |
| 24            | 38480               | OIL 4 CYCLE 14 FL OZ          | 1 |
| 25            | 38520               | CABLE BRACKET BLACK           | 1 |
| 26            | 39567               | MANUAL BAG                    | 1 |
| 27            | 39575               | WIRING HARNESS                | 1 |
| 28            | 39714               | HANDLEBAR RIGHT BLACK         | 1 |
| 29            | 39715               | DASH RED                      | 1 |
| 30            | 400021              | FLANGE BOLT M6 X 1.0 X 40MM   | 4 |
| 31            | 400023              | LOCK NUT M8 X 1.25            | 8 |
| 32            | 40101               | FRAME BLACK                   | 1 |
| 33            | 40303               | ON/OFF SWITCH WITH COVER      | 1 |
| 34            | 40317               | DRAG STAKE HOLDER WITH DECALS | 1 |
| 35            | 40361               | HARDWARE BAG                  | 1 |
| 36            | 4620                | JAM NUT M8 X 1.25             | 2 |
| 37            | W1200117            | WASHER M6                     | 1 |
| 38            | W1265V0913          | LOCK NUT M6 X 1.0MM           | 5 |



| REF./<br>REP. | PART NO.<br>/° RÉF. | DESCRIPTION                 |    |
|---------------|---------------------|-----------------------------|----|
| 1             | 13826               | BOLT M8 X 1.25 X 25MM       | 3  |
| 2             | 17983               | BOLT M8 X 1.25 X 30MM       | 3  |
| 3             | 18022               | PULLEY ENGINE               | 1  |
| 4             | 20059               | BELT GUIDE DOUBLE           | 1  |
| 5             | 20060               | ARM IDLER                   | 1  |
| 6             | 20067               | PULLEY TRANSMISSION         | 1  |
| 7             | 20070               | TINE SHEILD LEFT            | 1  |
| 8             | 20071               | TINE SHEILD RIGHT           | 1  |
| 9             | 20244               | BUSHING 22MM OD THICK       | 1  |
| 10            | 20246               | BUSHING 22MM THIN           | 1  |
| 11            | 20343               | DRIVE BELT                  | 1  |
| 12            | 20344               | WASHER M6 WIDE              | 1  |
| 13            | 20345               | BELT GUIDE SINGLE           | 1  |
| 14            | 20816               | BOLT M8 X 1.25 X 35MM       | 1  |
| 15            | 21600               | BOLT M10 X 1.5 X 55MM       | 1  |
| 16            | 21640               | LOCK WASHER M8              | 11 |
| 17            | 21819               | KEY SQUARE 5MM              | 1  |
| 18            | 22563               | BELT CATCH                  | 1  |
| 19            | 23506               | TENSION SPRING              | 1  |
| 20            | 23511               | BOLT M6 X 1.0 X 25MM        | 1  |
| 21            | 23512               | KEY SQUARE 4.8MM            | 1  |
| 22            | 23552               | PULLEY COVER                | 1  |
| 23            | 23873               | CAGE NUT M5                 | 4  |
| 24            | 23981               | BUSHING 12.5MM              | 1  |
| 25            | 23982               | WASHER M8 WIDE              | 2  |
| 26            | 2431                | WASHER M10                  | 1  |
| 27            | 25038               | BELT GUIDE SINGLE 90 DEGREE | 1  |
| 28            | 29809               | TRANSMISSION                | 1  |
| 29            | 3235                | NUT TOPLOCK M10             | 1  |
| 30            | 3245                | WASHER M8 24MM OD           | 18 |
| 31            | 3247                | BOLT M8 X 1.25 X 45MM       | 1  |
| 32            | 3252                | NUT M8X1.25X6.8 MM H CL8 ZN | 1  |
| 33            | 32995               | PULLEY IDLER                | 1  |
| 34            | 36349               | SPACER 18MM ROUND           | 1  |
| 35            | 39559               | CENTER SHIELD               | 1  |
| 36            | 39723               | PULLEY BOX                  | 1  |
| 37            | 400018              | BOLT M5 X 0.8 X 12MM        | 4  |
| 38            | 400023              | LOCK NUT M8                 | 6  |
| 39            | 400024              | WASHER M8 16MM OD           | 1  |
| 40            | 4620                | JAM NUT M8                  | 5  |
| 41            | W1200116            | LOCK WASHER M6              | 1  |
| 42            | W1265V0904          | BOLT M8 X 1.25 X 20MM       | 6  |



| REF./<br>REP. | PART NO.<br>/° RÉF. | DESCRIPTION             |   |
|---------------|---------------------|-------------------------|---|
| 1             | 13904               | TINE SET OUTSIDE LEFT   | 1 |
| 2             | 13905               | TINE SET OUTSIDE RIGHT  | 1 |
| 3             | 14375               | BOLT M6 X 1.0 X 25MM    | 2 |
| 4             | 18039               | SAFETY PIN LOCKING      | 2 |
| 5             | 20016               | BOLT M10 X 1.5 X 45MM   | 2 |
| 6             | 20065               | GEAR BRONZE             | 1 |
| 7             | 21808               | BOLT M8 X 1.25 X 40MM   | 4 |
| 8             | 21810               | WASHER TOOTH LOCK M8    | 6 |
| 9             | 21814               | BEARING SPACER          | 4 |
| 10            | 21816               | RING RETAINING EXTERNAL | 2 |
| 11            | 21817               | KEY WOODRUFF            | 1 |
| 12            | 21818               | WASHER TOOTH LOCK M6    | 2 |
| 13            | 24900               | DRIVE SHAFT             | 1 |

| REF./<br>REP. | PART NO.<br>/° RÉF. | DESCRIPTION            |   |
|---------------|---------------------|------------------------|---|
| 14            | 29808               | TINE SHAFT             | 1 |
| 15            | 29809               | TRANSMISSION ASSY      | 1 |
| 16            | 29810               | TINE SLEEVE            | 2 |
| 17            | 29812               | TINE SET INSIDE RIGHT  | 1 |
| 18            | 29813               | TINE SET INSIDE LEFT   | 1 |
| 19            | 3220                | ROLLER BEARING 47MM OD | 1 |
| 20            | 3309                | ROLLER BEARING 42MM OD | 2 |
| 21            | 331021              | ROLLER BEARING 40MM OD | 1 |
| 22            | 331042              | OIL SEAL               | 1 |
| 23            | 400022              | BOLT M8 X 1.25 X 25MM  | 2 |
| 24            | 400023              | LOCK NUT M8            | 6 |
| 25            | W1200119            | LOCK WASHER M10        | 2 |
| 26            | W1265V0903          | LOCK NUT M10           | 2 |
| 27            | W1265V0913          | LOCK NUT M6            | 2 |