

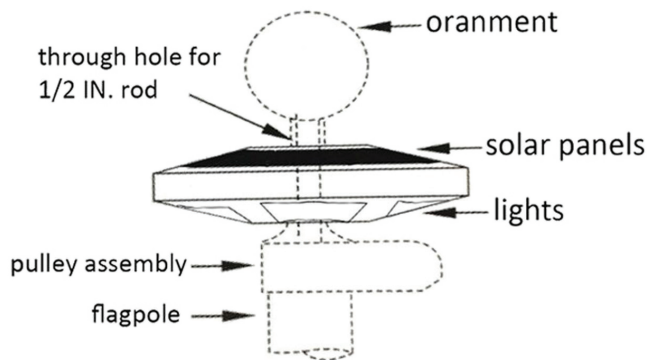
Solar 120 LED Flagpole Light



Our Solar flag Pole light great and easy to install on any flag pole that's 20' to 40' in height and features commercial grade ABS construction that was designed to withstand the elements year round. It also features 120 super bright SMD LED lights that gives 800 lumen of brightness which is more than enough to light up your flag(s).

The automatic on/off, dusk till dawn functionality means once you install and turn this light on, it automatically turns on from dusk to dawn. It also features 3.7 volt, 5,200 mAh rechargeable battery which will keep your flag illuminated for up to twelve hours at a time, plenty of time to get through the night.

- Model Number: AVS-FP-120
- Recommended for Poles Size: 20' to 40'
- LED Lights: 120 Super Bright LED's
- Brightness: 800 Lumen
- Total Volts: 3.7
- Battery: 5,200 mAh Rechargeable
- Run Time: 10-12 Hours
- Lifespan: 40,000 Hours
- 1 Year Manufacturer Warranty



Solar 120 LED Flagpole Light

Specifications

Model #	SKU #	Power	PV Type	Solar Panel	Lithium Battery	Lumens	CCT	IP Rating
AVS-FP-120	990202	120 X 0.2W	MONO	5.2W	5200 mAh	800 LM	6000K	IP65

Features

- IP65 Rated
- Compact System
- Unique curved appearance
- 100% Less Power Consumption
- Automatic Day & Night Detection
- SMD 2835 LED Chips
- Completely Solar Powered
- Replaceable Lithium-ion battery
- 800Lm & 6000K
- Emitting Color: White

Applications

- Flagpoles
- Government Buildings
- Memorials
- Historic Sites
- School Playgrounds & Gardens
- Campuses, Parks, & Yards
- Boat & Loading Docks
- Farms & Ranches
- Remote & Wildlife Areas
- Parking Lots & Military Bases



Advantages

- Energy saving, long lifespan
- Light is soft and uniform, safe to eyes
- Instant start with no flickering or humming
- Green and eco-friendly without mercury
- Durable construction for long time use
- ABS body + PC lampshade + PET panel
- No monthly electric bills
- Battery backup for cloudy days
- No power outages
- No line voltage, trenching/metering
- Easy to install & operate - <1 hour
- High performance lithium battery



Correlated Color Temperature



Solar 120 LED Flagpole Light

Product Design and Benefits



The solar flagpole light costs nothing to operate. It automatically recharges, by sunlight, during the day and turns on by itself at dusk, lighting up to 8-12 hours depending on your local sunshine strength. The light contains a scientifically designed solar collector panel that converts sunlight into electrical energy. It is a self-powered system, so it can be installed in any place where there is enough sunshine. It is absolutely safe because the voltage is very low. The light is waterproof, so you do not need to take the light indoor or cover it, even on the rainy days.

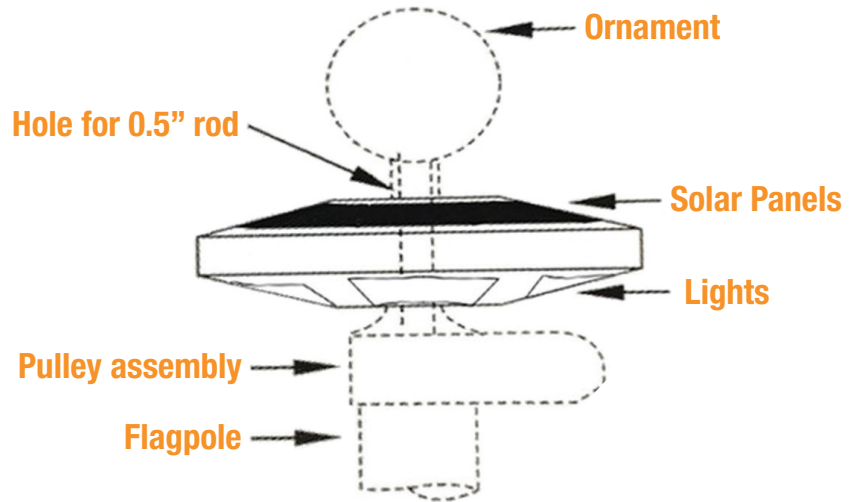


Solar 120 LED Flagpole Light

Installation

Please place your light in the direct sun for 3 days prior to first use.

- Please note that there is an ON/OFF button near the LEDs, click it to "ON" before you use it.
- You can cover the panel in the daytime to make the light "think" that it's night, and the light will turn ON then.
- Unscrew the ornament from the top of your flagpole, place the solar light atop the pulley assembly, with the solar collecting panels facing up, and replace the ornament.



Dimensions

Diameter 9.84252" x Thickness 1.37795"

120 LED SOLAR FLAGPOLE LIGHT	
Model No.	AVS-FP-120
Solar Panel	5.5V / 5.2Wp
IP Rating	IP65
Material	ABS body + PC lampshade + PET panel
Product Color	White
Battery Type	Lithium-ion battery pack
Battery Capacity	3.7V 5200mA
Working Time	≥12 Hours
LED Type	120 pieces of 0.2W SMD 2835
Luminous flux	800 Lm
Emitting Color	White
Product Weight	1.35 Lbs
Dimensions	9.85 x 9.85 x 1.54"



Solar 120 LED Flagpole Light

Light Transmission Lens

Project to a wider coverage area than other LED beads.



120 pieces of 0.2W SMD 2835



Button Switch



SOLAR FLAGPOLE LIGHT	
Dimensions	9.85 x 9.85 x 1.54"
Model No.	AVS-FP-120
Solar Panel	5.5V / 5.2Wp
IP Rating	IP65
Battery Type	Lithium-ion battery
Battery Capacity	3.7V 5200mA - Replaceable
Luminous flux	800 Lm
LED Type	120 pieces of 0.2W SMD 2835



Solar 120 LED Flagpole Light

Components

We have designed high efficiency solar panels for this light, the area utilization ratio is maximized, and the conversion efficiency exceeds all the similar products on the market, reaching 5.2W.



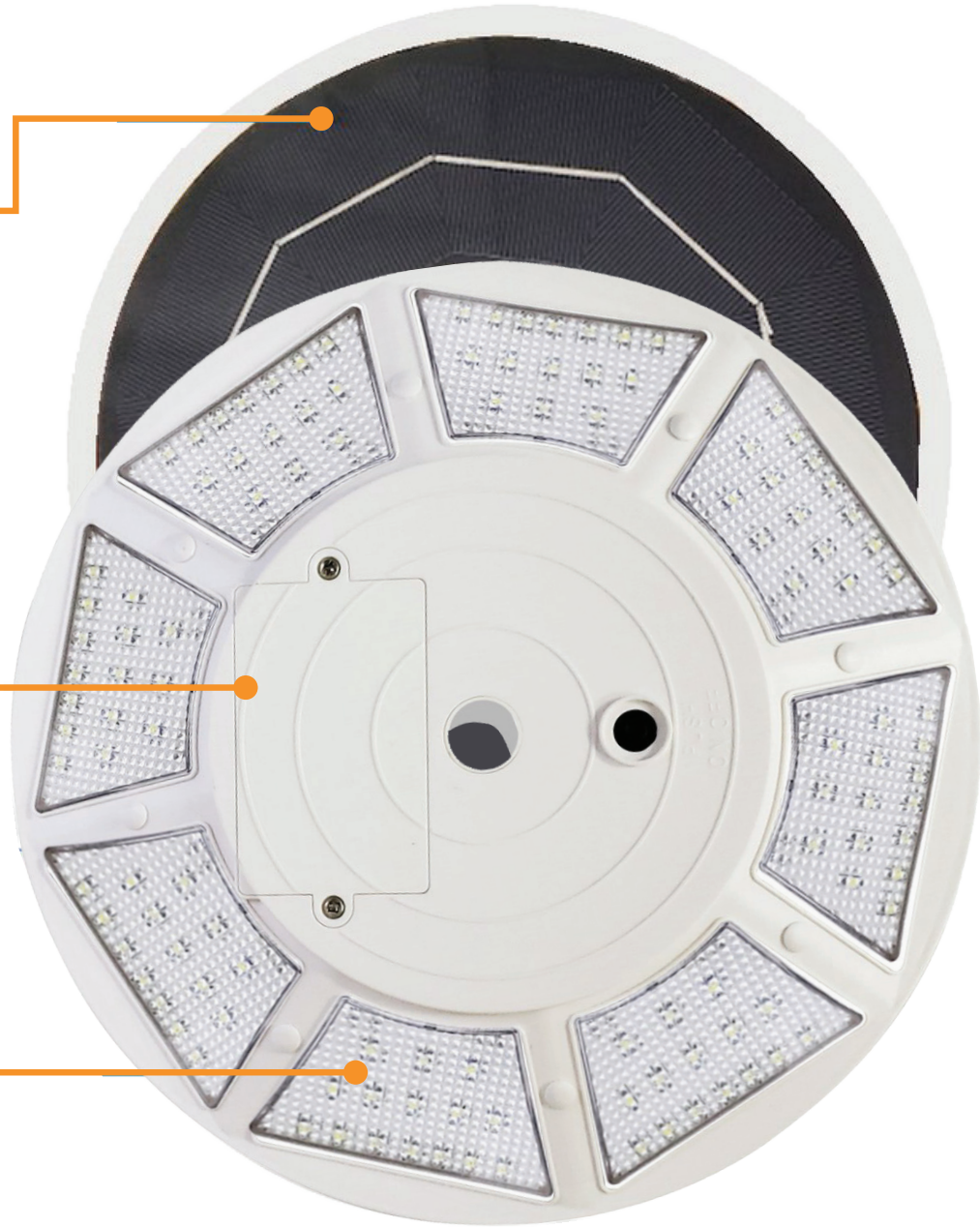
**5.5V 5.2W
Efficient Solar Panel**



**3.7V 5200mA
Lithium-ion battery**



**120 pieces of
0.2W SMD 2835 LEDs**



SOLAR FLAG POLE LIGHTS

