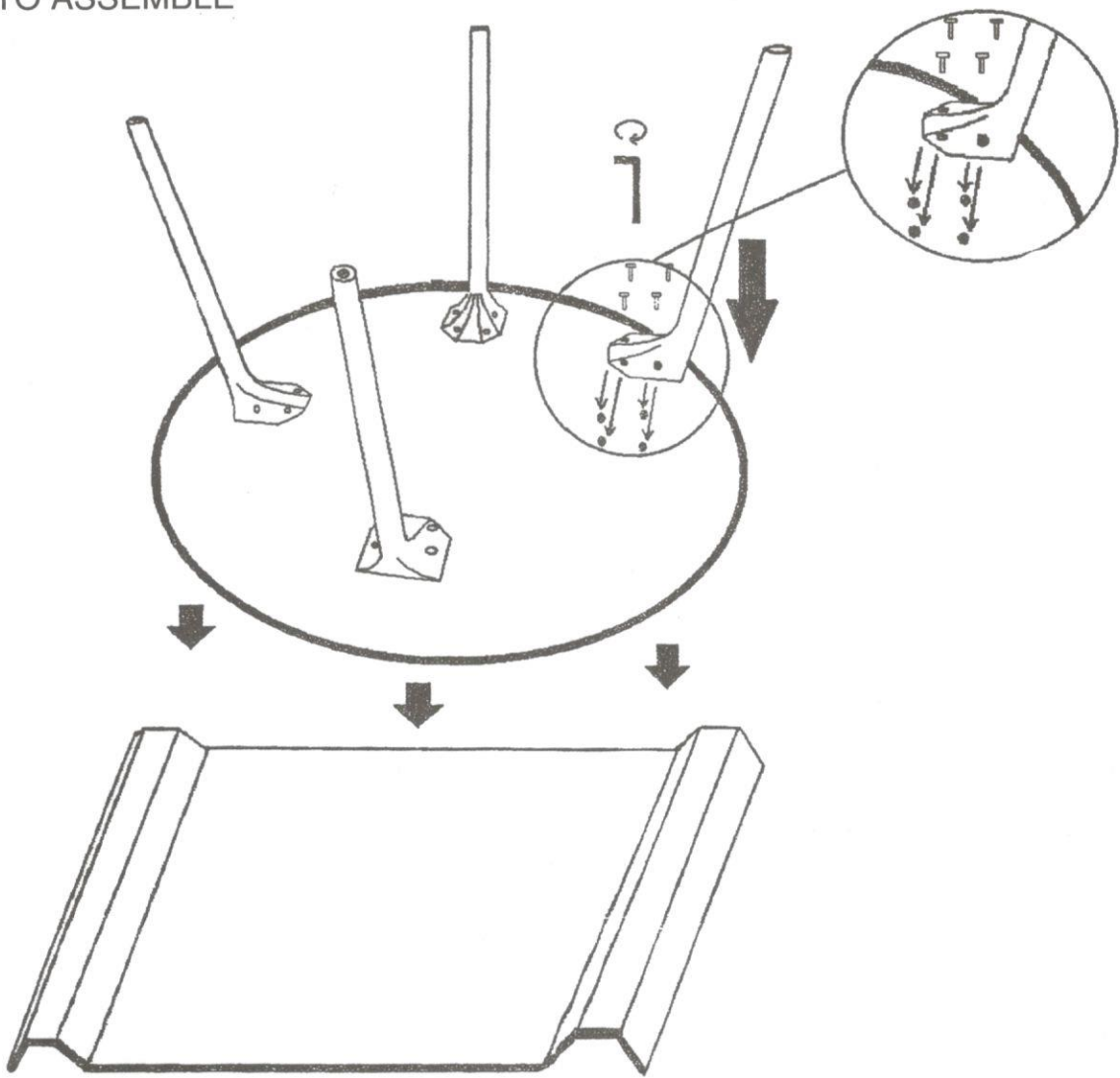


# HOW TO ASSEMBLE



# HOW TO DISASSEMBLE

