

# **BLUE BLOWER™**

PROFESSIONAL



## **Air Purifier**

BB-AP300-62-W-WF

# **USER MANUAL**

---

# Contents

1. Important safety information .....	01
2. Product Structure.....	02
3. Before first use .....	03
4. Using the appliance.....	05
5. Filter Replacement .....	07
6. UV-C bulb Replacement .....	09
7. Keep Filter Clean .....	10
8. Storage .....	10
9. Environment .....	10
10. Troubleshooting .....	11
11. Warranty .....	12



---

# 1. Important safety information

Read this user manual carefully before you use the appliance and save it for future reference.

## Danger

- Do not let water or any other liquid or flammable detergent enter the appliance to avoid electric shock and/or a fire hazard.
- Do not clean the appliance with water or any other liquid or a (flammable) detergent to avoid electric shock and/or a fire hazard.

## Warning

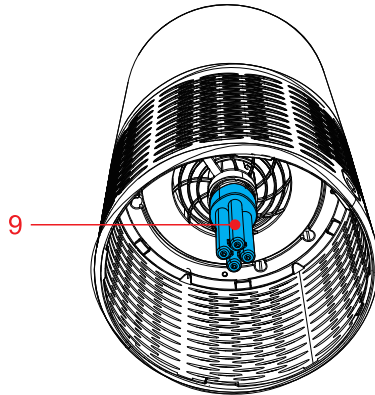
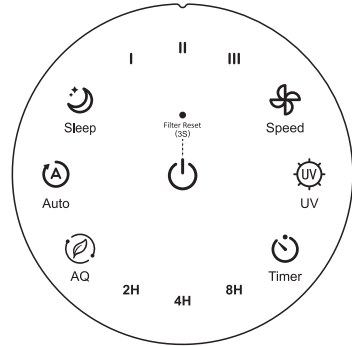
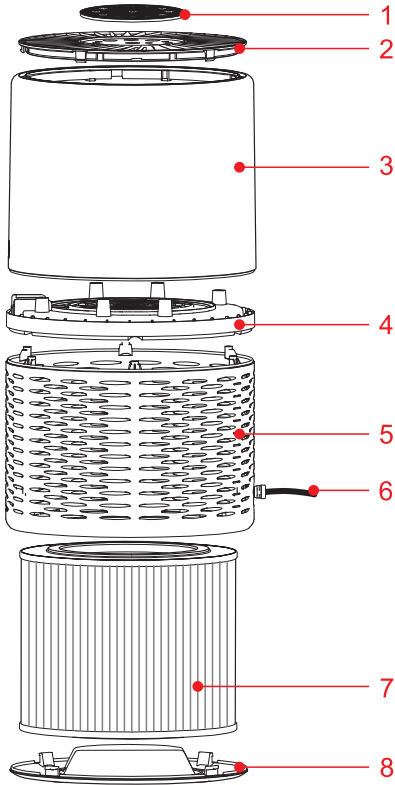
- Check if the voltage indicated on the appliance corresponds to the local mains voltage before you connect the appliance.
- If the mains cord is damaged, you must have it replaced by distributor, or a service centre authorised by distributor or similarly qualified persons in order to avoid a hazard.
- Do not use the appliance if the plug, the mains cord or the appliance itself is damaged.
- This appliance is not intended for use by persons (including children) with reduced physical, sensory or mental capabilities, or lack of experience and knowledge, unless they have been given supervision or instruction concerning use of the appliance by a person responsible for their safety.
- Children should be supervised to ensure that they do not play with the appliance.
- Do not block the air inlet and outlet, e.g. by placing items on the air outlet or in front of the air inlet.
- To reduce the risk of fire or electric shock, DO NOT use the appliance with any solid-state speed control device.
- **Skin or eye damage may result from directly viewing the light produced by the lamp in this apparatus. Always disconnect power before relamping or servicing.**

## Caution

- This appliance is not a substitute for proper ventilation, regular vacuum cleaning or use of an extractor hood or fan while cooking.
- If the wall socket used to power the appliance has poor connections, the plug of the appliance becomes hot. Make sure you plug the appliance into a properly connected wall socket.
- Always place and use the appliance on a dry, stable, level and horizontal surface.
- Leave at least 40cm free space behind and on both sides of the appliance and leave at least 40cm free space above the appliance.
- Do not place anything on top of the appliance and do not sit on the appliance.
- Do not place the appliance directly below an air conditioner to prevent condensation from dripping onto the appliance.
- Make sure all filters are properly installed before you switch on the appliance.
- Only use the original filters specially intended for this appliance. Do not use any other filters.
- Avoid knocking against the appliance (the air inlet and outlet in particular) with hard objects.
- Always lift or move the appliance by the handle at the back of the appliance.
- Do not insert your fingers or objects into the air outlet.
- Do not use this appliance when you have used indoor smoke-type insect repellents or in places with oily residues, burning incense or chemical fumes.
- Do not use the appliance near gas appliances, heating devices or fireplaces.
- Always unplug the appliance after use and before you clean it.
- Do not use the appliance in a room with major temperature changes, as this may cause condensation inside the appliance.
- The appliance is only intended for household use under normal operating conditions.
- Do not use the appliance in wet surroundings or in surroundings with high ambient temperatures, such as the bathroom, toilet or kitchen.
- The appliance does not remove carbon monoxide (CO) or radon (Rn). It cannot be used as a safety device in case of accidents with combustion processes and hazardous chemicals.
- To prevent interference, should be kept at least 2 meters distance between the product and the use of radio waves electrical.

## 2. Product Structure

Welcome using our company air purifier ,before using please read this manual carefully to operate the product correctly.



1. Control panel
2. Outlet cover
3. Upper body
4. Decorative ring
5. Lower body

6. Power cord
7. Combination filter
8. Base cover
9. UV-C bulb

(Model no. BB-AP300-62-W-WF)

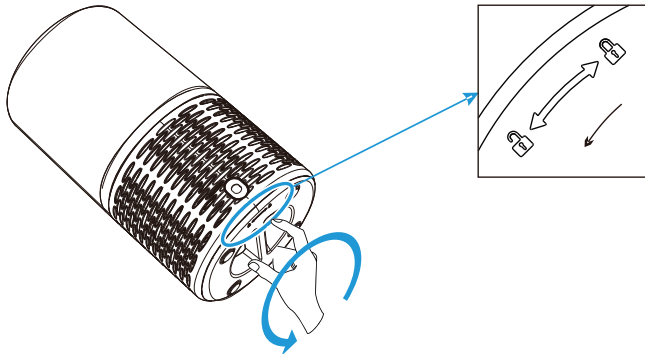
### 3. Before first use

#### Placing the filters

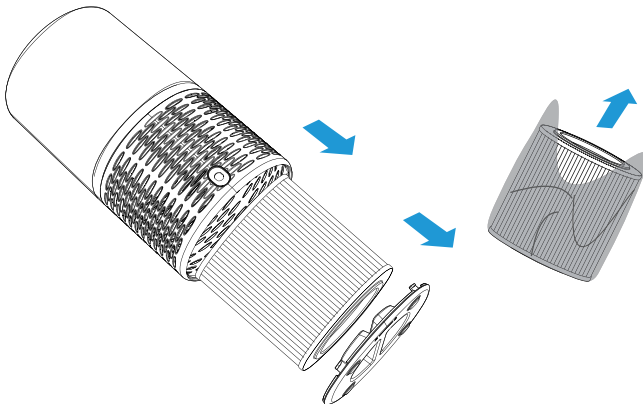
The appliance comes with all filters fitted inside, but you have to remove the packaging of the filters before you can use the appliance. Remove all filters, unpack them and place them back into the appliance as described below.

**Note:** Make sure you insert the filters in the correct position.

1. Put the appliance upside down on a soft cloth to avoid scratching, to open the base cover, you need to corresponding the **LOCK** position, turn the base cover counterclockwise from **LOCK** to **OPEN** position, then the lock released.



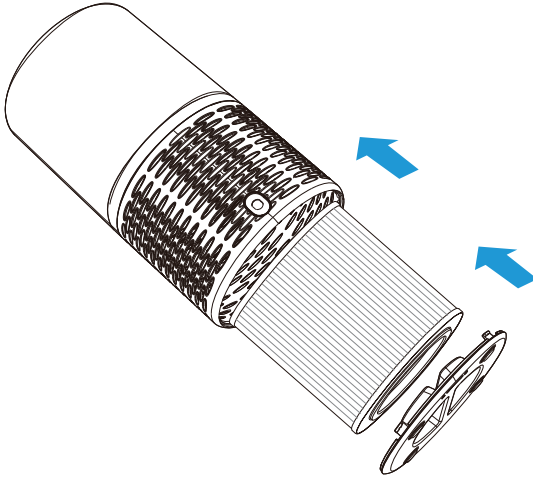
2. Remove the base cover and take out the combination filters.
3. Remove the packaging material from the filter.



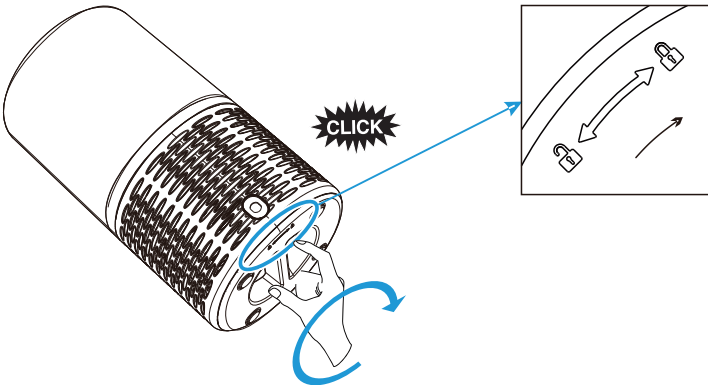
---

4. Put the filter back into the appliance.

**Note:** Make sure that the side with the tag is pointing towards you.

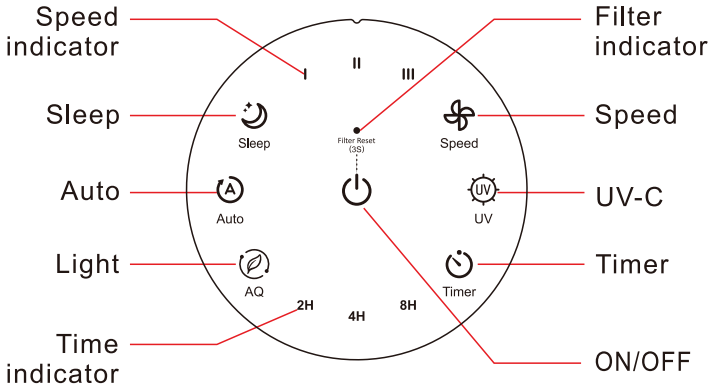


5. Turn the base cover clockwise from **OPEN** position to **LOCK** position, you will hear a "click" sound, the base cover is fastened.



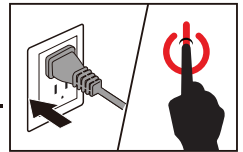
## 4. Using the appliance

### 4.1 About the control panel



#### 1. Plug and turn on the machine

All lights will be ON for 1 second and you hear a beep, all lights then stay OFF .



#### 2. Press the power button to switch on the appliance.

Press button, AQ light turns on and Speed at level 1 (Low) .

#### 3). Fan speed adjustment

The fan speed light indicates at which fan speed the appliance is operating. Press Speed button to adjust fan speed level, there are three levers I~III refers to **Low, Medium, High level.**


#### 4). Auto mode

At Auto mode, the fan speed will be automatically adjusted according to AQI level as below:


AQ Color	Blue	Green	Orange	Red
Speed mode	Sleep	I(Low)	II(Medium)	III(High)
AQ level	Very good	Good	Unhealthy	Hazardous

---

## 5). Sleep mode

1. Press  to turn Sleep Mode on and Sleep indicator turn brightness. All indicators will be at half brightness, air purifier will work in the lowest fan.
  2. All indicators will be at half brightness while sleep mode is on. And the indicators will be light up while change to Speed mode or other mode.
  3. AQ light indicator will display the color according to the air quality.
- Note: The operation will not work in Standby Mode.



## 6). Light

Press  button, all indicators turn off.



When air purifier in the Mode that all indicators turn off, press any other buttons to light up and keep it on.(except Power button)

Note: In the Mode that all indicators turn off, tap Power button to turn off.

## 6). UV-C technology

The UV-C technology kills germs, viruses, and bacterial by penetrating its DNA, resulting into the microorganism's death or the inability to reproduce. Press  button to turn the UV-C technology on. The UV-C indicator will glow. Press  button again to turn the UV-C technology off.

## 7). Setting timer

1. Press  to turn on or off the timer, and to cycle through timer options (2 hours, 4 hours, or 8 hours).
  2. The air purifier will automatically power off once the timer is finished.
- NOTE: Pressing  or unplugging the air purifier will cancel the timer.

## 8). Filter replacement light

When filter indicator lights, it means that you should check the filter if it needs to be cleaned or replaced.

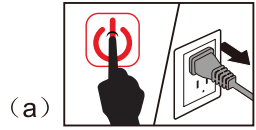
**Note:** The filter's lifetime is based on your house air quality and using time. Using the appliance in a humid environment will reduce the lifetime of the filter.

## 9). Memory Function

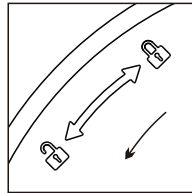
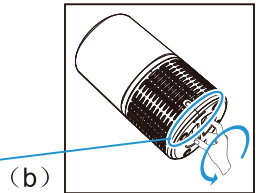
The air purifier has the setting memory while the users turn it off, including fan speed. It will return to the last setting while the users turn it on again.

## 5. Filter Replacement

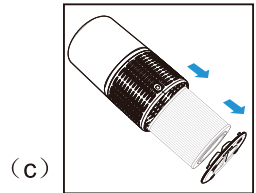
1. Switch off the appliance and unplug it. (a)



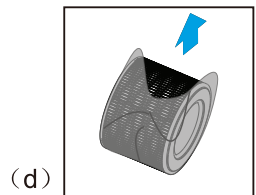
2. Put the appliance upside down on a soft cloth to avoid scratching, to open the base cover, you need to corresponding the **LOCK** position, turn the base cover counterclockwise from **LOCK** to **OPEN** position, then the lock released. (b)



3. To remove the base cover and combination filter, grab filter tag and pull it towards you. (c)

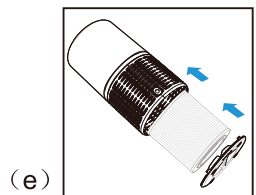


4. Remove the packaging material of the new combination filter. (d)

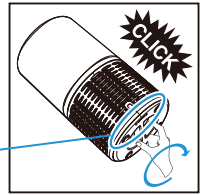
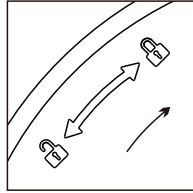


5. Put the new filter back into the appliance. (e)

**Note:** For HEPA filter  
Make sure that the side with the tag is pointing towards you.

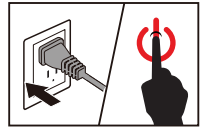


6. Turn the base cover clockwise from **OPEN** position to **LOCK** position, you will hear a "click" sound, the base cover is fastened. (f)




(f)

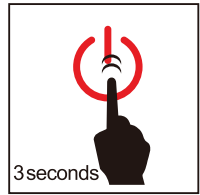
7. Put the plug in the wall socket and switch on the appliance again. (g)



(g)

8. Reset Filter's lifetime.

Even you replace the filters, when you switch on the appliance, the filter icon still light, you need to reset the filter's lifetime, so that the appliance can cycle to calculate the filters' working time. Press and hold the  button for 3 seconds, the filter light turn off, the reset is finished. (h)






(h)

## Filter replacement force mode

Suppose you use the appliance under air pollution environment, you can replace the filter even the filter icon does not light, the filter replacing method is same, please see chapter: **Filter replacement**.

### To force reset the filter's lifetime:

At the standby model (NOT press the power button), press and hold  button for 3 seconds, the icon  light on, press and hold  button for 3 seconds again, the filter light turn off, then the reset is finished.



## 6. Replacing the UV-C bulb

The UV-C bulb is designed to last for approximately 5000 hours of use. The UV-C indicator on the control panel will flash RED when the UV-C bulb burns out and needs to be replaced.

**NOTE:** The air purifier will continue to operate without UV-C function when the UV-C bulb burns out.

**CAUTION:** Do not operate the air purifier without the protective UV-C bulb cover.


1. Unplug the air purifier and remove the filter. (a)

2. Remove the cover to expose the UV-C bulb. (b)

3. Gently push from the side and rotate the UV-C bulb to remove. (c)

4. Remove and replace the UV-C bulb. Re-install the UV-C bulb cover, filter and base cover. (d)(e)

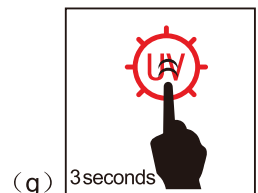
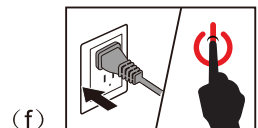
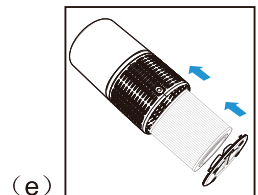
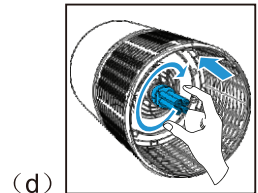
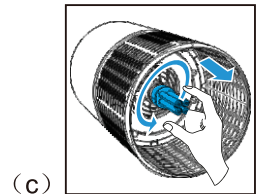
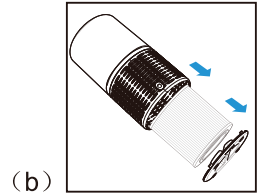
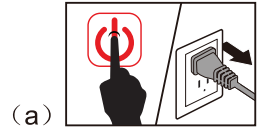
5. Put the plug in the wall socket and switch on the appliance again. (f)

6. Press and hold the  button for 3 seconds, after hearing the buzzer "Ding", the UV-C indicator will flash 3 times and then turn off, the reset is finished. (g)

**NOTE:** You can replace the UV-C bulb ahead of time and reset the lifetime, even if the UV-C indicator light does not flash.

**WARNING:** The UV-C bulb contains mercury (Hg).  
**WARNING:** Skin or eye damage may result from directly viewing the light produced by the lamp in this apparatus.

**CAUTION:** Unplug the power cord before servicing or replacing the UV-C bulb.

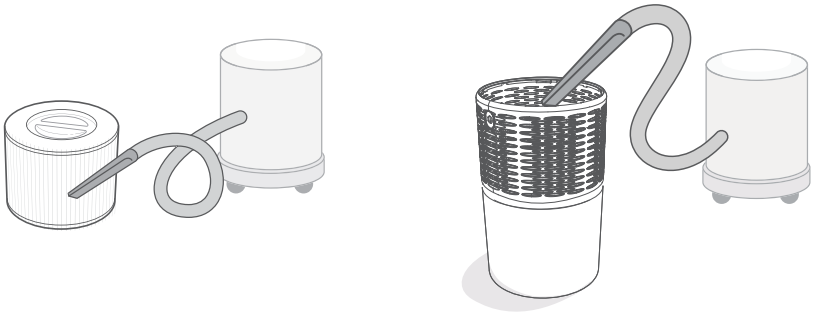


---

## 7. Keep Filter Clean

In order to keep your purifier working with more efficiency and life-time, clean the filter (pre-filter side only) every 2 weeks with the Instruction Below:

- 1). Clean out any dust, hair, or furs remain on the pre-filter by using the vacuum hose.
- 2). Clean out any dust, hair, or furs remain on the bottom cover by using the vacuum hose.
- 3). DO NOT wash the filter with any water or liquid.



## 8. Storage

Unplug the power cord, then wipe the machine clean, put the appliance in the packing bag, then put it in a dry place away.

## 9. Environment

Do not throw away the appliance with the normal household waste at the end of its life, but hand it in at an official collection point for recycling. By doing this, you help to preserve the environment.

## 10. Troubleshooting

This chapter summarises the most common problems you could encounter with the appliance. If you are unable to solve the problem with the information below, contact the Consumer Care Centre in your country.

Problem	Cause	Solution
Air purifier does not power on.	Unit is not plugged into an electrical outlet.	Connect the plug to a powered electrical outlet.
	Outlet is not working properly.	Try plugging the air purifier into a different outlet.
	Power button has not been pressed after plugging in the air purifier.	Press '⏻' once to turn on the air purifier.
	Power cord is damaged. Air purifier is defective or malfunctioning.	Immediately discontinue use and contact Customer Support .
Air purifier does not respond to button controls.	Air purifier is not plugged into an outlet.	Connect the plug to a powered electrical outlet.
	Air purifier is defective or malfunctioning.	Immediately discontinue use and contact Customer Support.
Air purifier makes an unusual noise while operating.	Air filters are dirty.	Replace the air filters as instructed in the <b>Filter Replacement</b> section.
	Filter does not fit properly.	Properly place filter(s) as noted in the <b>Before first use</b> and <b>Filter Replacement</b> sections.
	Foreign object inside the unit.	Immediately discontinue use and contact Customer Support . <b>DO NOT</b> attempt to open the air purifier.
Significantly reduced airflow.	Filter packaging has not been removed.	Remove filter from packaging before use.
	Fan speed is low.	Press '⚙️' to adjust fan speed.
	Air filters need to be replaced.	Replace the air filters as instructed in the <b>Filter Replacement</b> section.
	Not enough clearance on all sides of the purifier.	Ensure there is at least 38 cm (15 inches) of clearance on all sides of the purifier.
Poor air purification quality.	Air filters need to be replaced.	Replace the air filters as instructed in the <b>Filter Replacement</b> section.
	Room is too large for the air purifier's applicable area.	Ensure the room is smaller than (280 ft <sup>2</sup> ).
	Air inlet or outlet is blocked.	Remove objects blocking air inlet or outlet.
	Filters not properly placed in housing.	Properly place filters as noted in the <b>Before first use</b> and <b>Filter Replacement</b> sections.
Filter reset button is still illuminated after replacing the air filters.	The air purifier has been reset incorrectly.	See the <b>Filter Replacement</b> section on how to properly reset the unit.
Air purifier turns on, then suddenly turns off. Air purifier beeps repeatedly after being powered on or plugged in.	Air purifier is defective or malfunctioning.	Immediately discontinue use and contact Customer Support . <b>DO NOT</b> attempt to open the air purifier for self-servicing.

---

# Cleaning Instructions

## WARNING

Unplug from electrical supply source before cleaning.

After servicing, any safety device (including grilles and blades) must be reinstalled or remounted as previously installed. Use soft damp cloth, then wipe with dry cloth.

Do not use harmful cleaners. Do not bend the blades.

## WARNING

This product is not intended for use by persons (including children) with reduced physical, sensory or mental capabilities, or lack of experience and knowledge, unless they have been given supervision or instruction concerning use of the product by a person responsible for their safety. Children should be supervised to ensure that they do not play with the product.

## 1-Year Limited Warranty

The Manufacturer warranty this product to be free from manufacturing defects in material and workmanship under normal use for a period of one (1) years after the date of purchase by the original purchaser. To obtain warranty service, you must present a copy of the receipt as proof of purchase. This warranty does not apply to damages from accident, faulty installation, misuse, abuse, alteration of any kind of fan or where the connected voltage is more than 5% above the nameplate voltage. This warranty does not shall render the warranty invalid.

Some states do not allow the limitation or exclusion of certain damages. Therefore, these limitations and exclusions may not apply to you. This warranty gives the consumer specific legal rights. You may have other rights that vary from state to state.

**For warranty service contact Customer Service at 1-888-372-8518, 7:00 a.m. - 4:00 p.m., PST, or email [customerservice@blueblowerwarranty.com](mailto:customerservice@blueblowerwarranty.com) Monday - Friday**



Now you can register your warranty online by going to [www.blueblower.info](http://www.blueblower.info)



USING YOUR SMARTPHONE CAMERA HOVERING OVER THE QR CODE A LINK WILL POP-UP DIRECTING YOU TO OUR WARRANTY FORM PAGE.