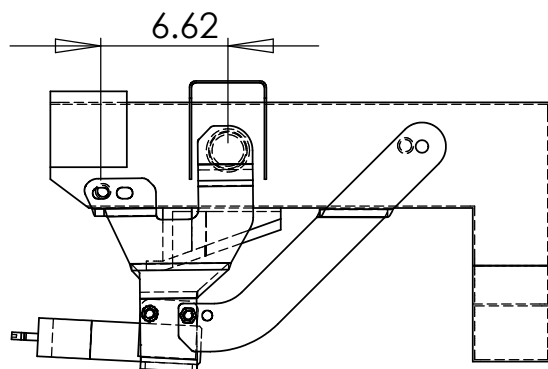
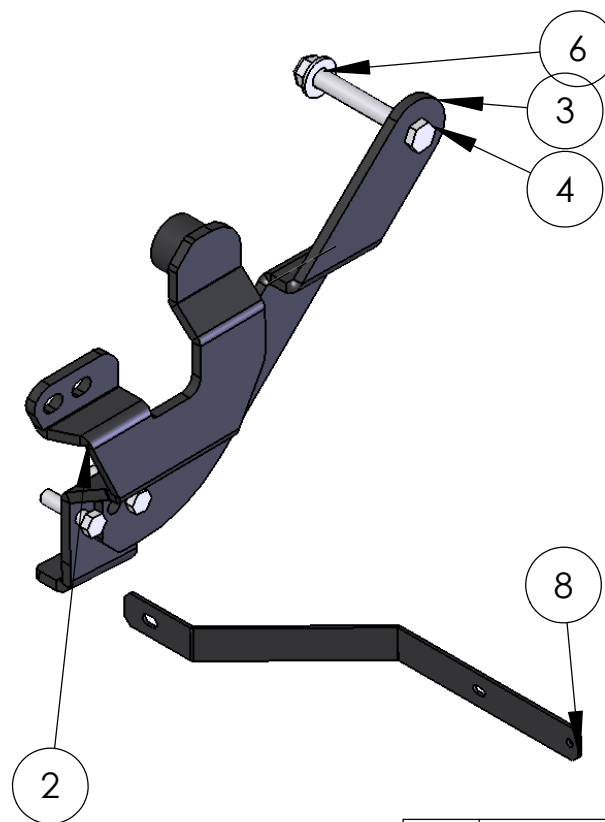


ITEM NO.	PART NUMBER	mount/QTY.
1	83012-2	2
2	83012-1	1
3	83012-3	1
4	HH-0625-5000-Z	2
5	FW-0625-Z	2
6	NIN-0625-Z	2
7	HH-0500-2000-Z	4
8	83012-4	2
9	Mirror83012-1	1
10	Mirror83012-3	1
11	HH-0250-1000-Z	6
12	NIN-0250-Z	6

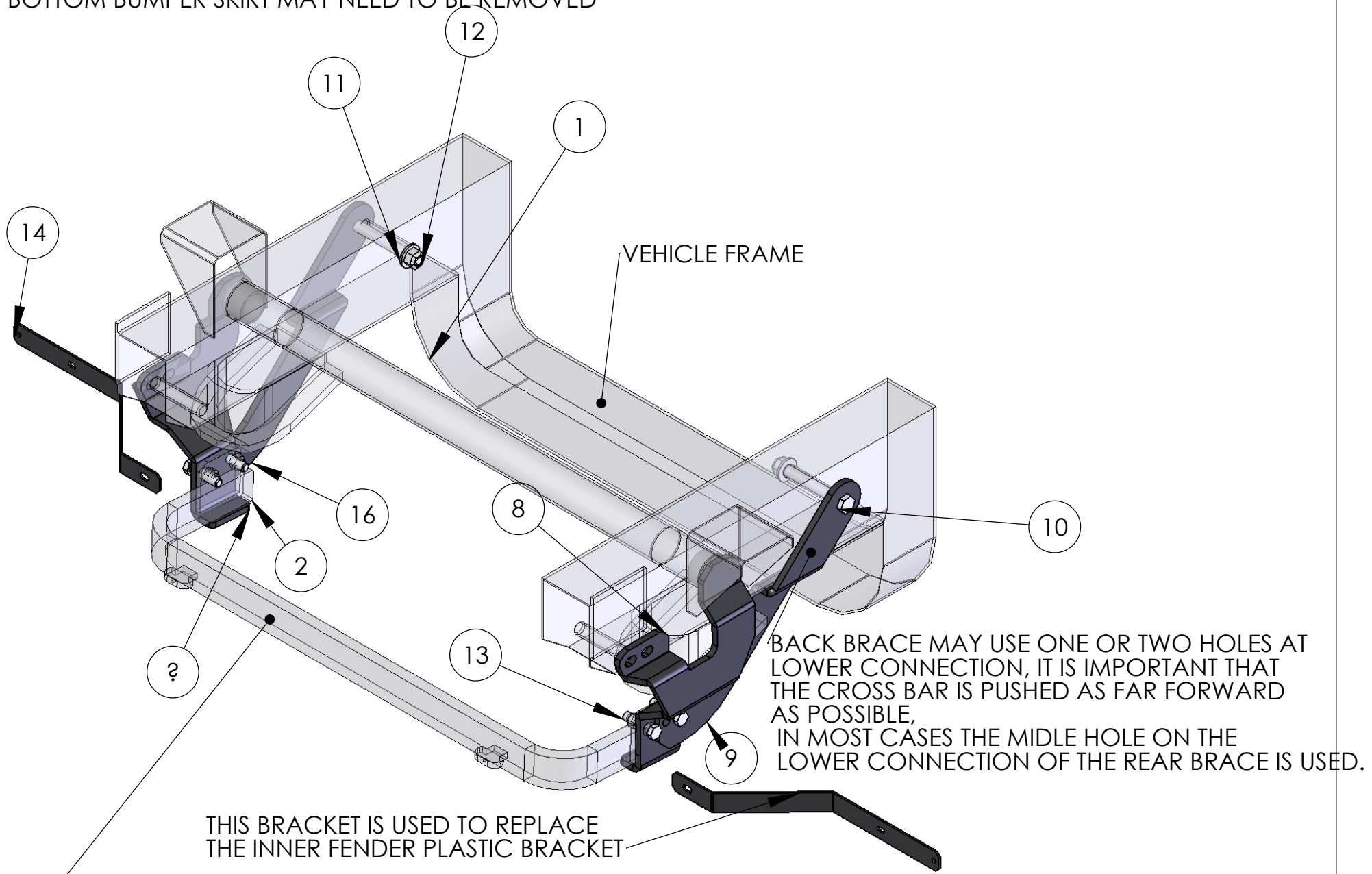


ALL GM's use front hole on rear support bar as shown



SIZE A	DWG. NO. 83012-A	REV
SCALE: 1:10	WEIGHT:	SHEET 1 OF 2

BOTTOM BUMPER SKIRT MAY NEED TO BE REMOVED



CROSS BAR NOT INCLUDED IN MOUNT KIT

SIZE	DWG. NO.	REV
A	83012-A	
SCALE: 1:1	WEIGHT:	SHEET 2 OF 2

5

↑

4

3

2

1