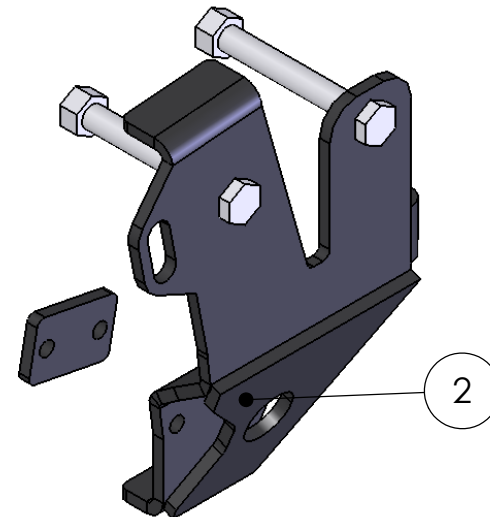
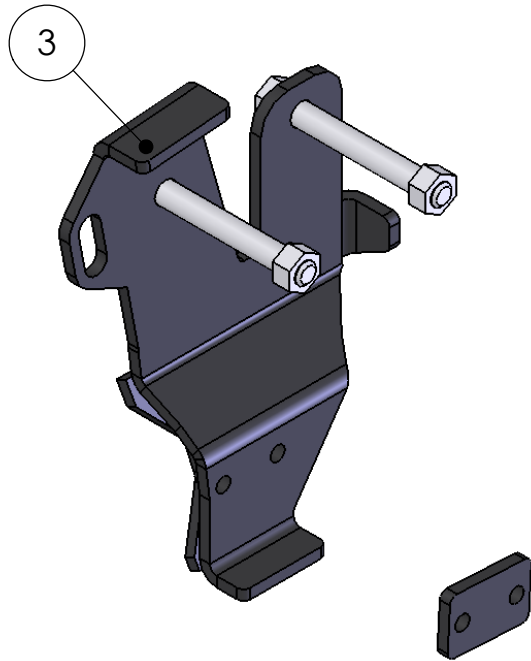


# MOUNT KIT AND HARDWARE

ITEM NO.	PART NUMBER	Mount Brackets/QTY.
1	81521-1	1
2	81521-3	1
3	Mirror81521-1	1
4	Mirror81521-3	1
5	81521-4	2
6	HH-0750-6000-Z	4
7	CLN-0750-Z	4
8	FW 0.75	8



SOME FRAMES MAY ONLY USE FRONT BOLT HOLE AND NOT REQUIRE OR ALLOW INSIDE FRAME PLATE TO BE USED

SIZE <b>A</b>	DWG. NO. <b>81521-A</b>	REV
SCALE: 1:10	WEIGHT:	SHEET 1 OF 2

5

↑

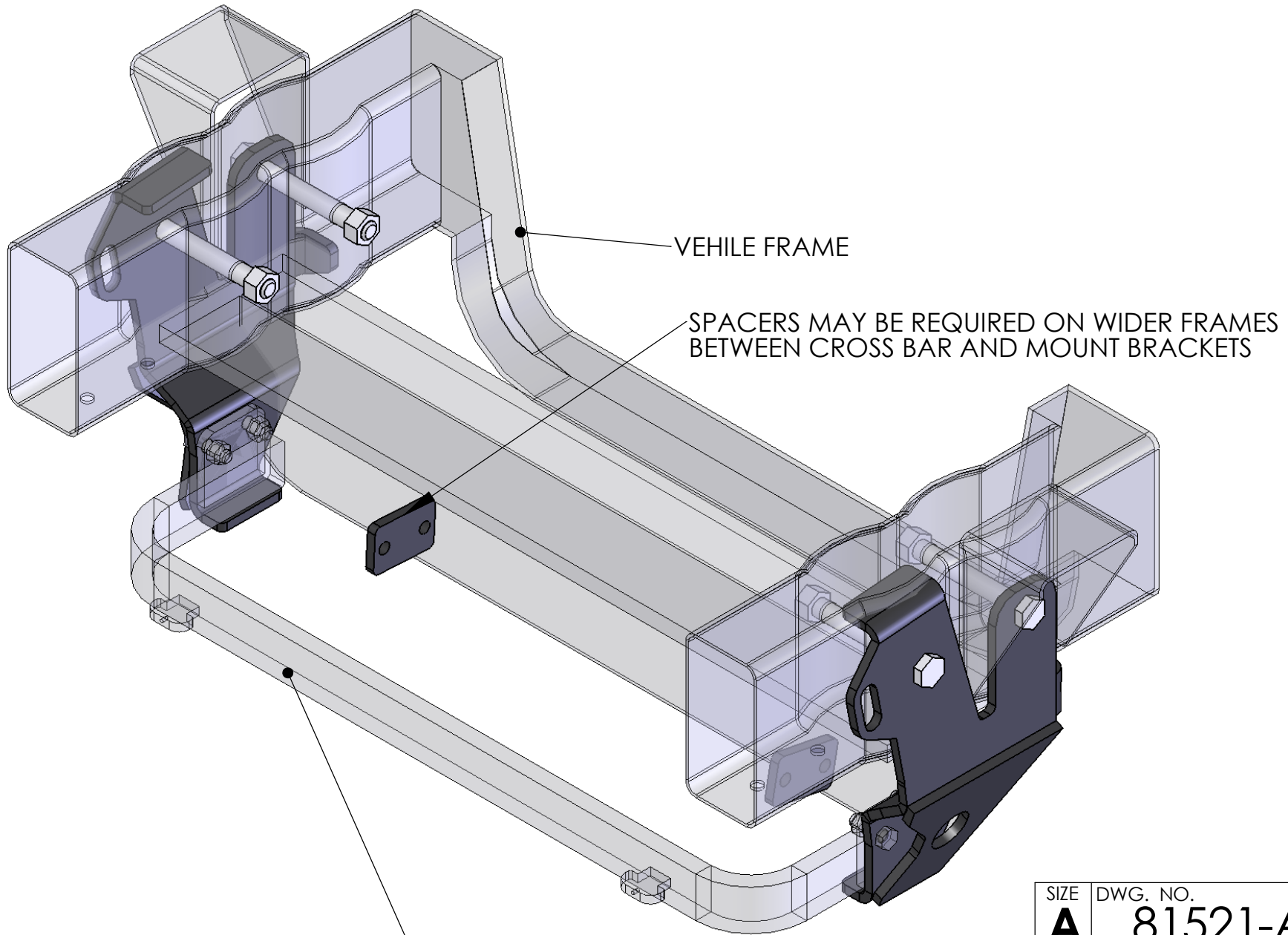
4

3

2

1

SOME FRAMES MAY ONLY USE FRONT BOLT HOLE AND NOT  
REQUIRE OR ALLOW INSIDE FRAME PLATE TO BE USED



VEHICLE FRAME

SPACERS MAY BE REQUIRED ON WIDER FRAMES  
BETWEEN CROSS BAR AND MOUNT BRACKETS

CROSS BAR NOT INCLUDED IN MOUNT KIT

SIZE	DWG. NO.	REV
<b>A</b>	<b>81521-A</b>	
SCALE: 1:20	WEIGHT:	SHEET 2 OF 2

5      ↑      4      3      2      1