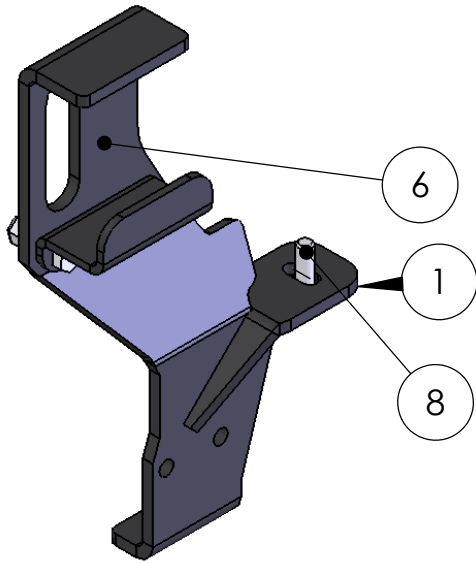
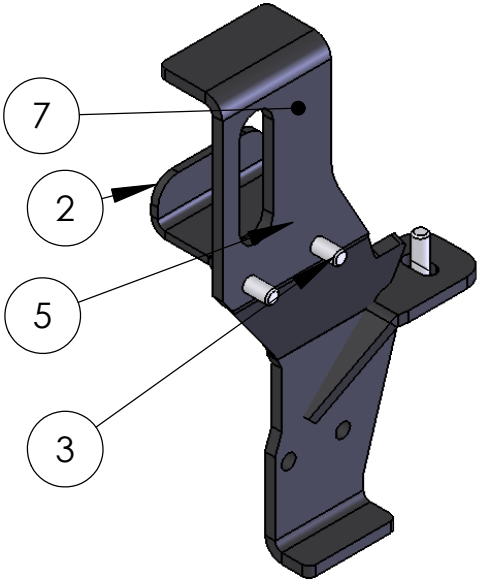


ITEM NO.	PART NUMBER	mount/QTY.
1	84314-2	2
2	84314-3	2
3	HH-0500-1500-Z	4
4	FW-0500-Z	2
5	NIN-0500-Z	4
6	84315-1	1
7	Mirror84315-11	1
8	M12-1.5-40	2



SIZE A	DWG. NO. 84314-A	REV
SCALE: 1:1	WEIGHT:	SHEET 1 OF 2

MUST REMOVE PLASTIC
AIR DEFLECTOR FROM THE
BOTTOM OF THE BUMPER

VEHICLE FRAME

CROSS BAR NOT INCLUDED IN MOUNT KIT

THE PLASTIC AIR DAM ON THE BOTTOM OF THE BUMPER WILL NEED TO BE REMOVED

SIZE	DWG. NO.	REV
A	84314-A	
SCALE: 1:1	WEIGHT:	SHEET 2 OF 2

5

↑

4

3

2

1