



INSTRUCTIONS FOR 24" SWING-AWAY GRILL WITH 46" POST

SKU: 259-5006

**PLEASE READ AND UNDERSTAND ALL SAFETY RULES BEFORE
ASSEMBLY AND USE OF THE SWING-AWAY GRILL WITH POST.**

RULES FOR SAFE OPERATION:

- Caution: For Outdoor Use Only.
- Use on hard compact surface such as packed dirt or between rocks.
- For adult use only – do not allow children to use the grill.
- Do not use on lawns, wooden decks, concrete or asphalt.
- Do not use indoors or under a patio roof.
- Do not use in windy conditions.
- Do not leave unattended at any time.
- Do not use under low hanging tree branches, trellis, overhangs of any kind including covered porches.
- Care should be taken to make sure all combustible material is far enough away from the fire and grill to not ignite.
- Always use in accordance with all applicable local and state fire codes.
- Failure to follow these instructions could result in a hazardous fire causing property damage or physical injury.

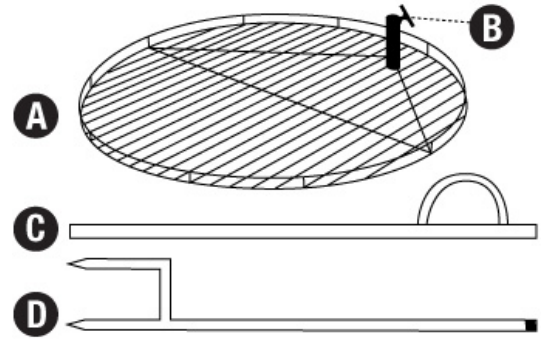
Warning! For your safety:

- Operate grill with caution.
- Keep children and pets away from the grill and fire while it is in use.
- Exercise the same precautions you would with any open fire.
- Do not wear flammable or loose clothing when tending to an open fire.
- Avoid touching surfaces, as they will be extremely hot.
- Assure fire is completely extinguished before leaving.
- Any modifications to this appliance may be dangerous and are not permitted.

PARTS LIST:

Unpack parts making sure all pieces are present before attempting to assemble.

ITEM:	QTY:	PART:
A	1	Adjustable grill
B	1	Turn lock screw
C	1	Grill support post with handle
D	1	Grill support post with stake



INSTALLATION:

Step 1:

Slide adjustable grill [A] onto grill support post with handle [C]. Screw grill support post with handle [C] into grill support post with ground stake [D].

Step 2:

Use the turn lock screw [B] on the adjustable grill [A] to adjust the height of the grill. Make sure turn lock screw is tight and secure.

Step 3:

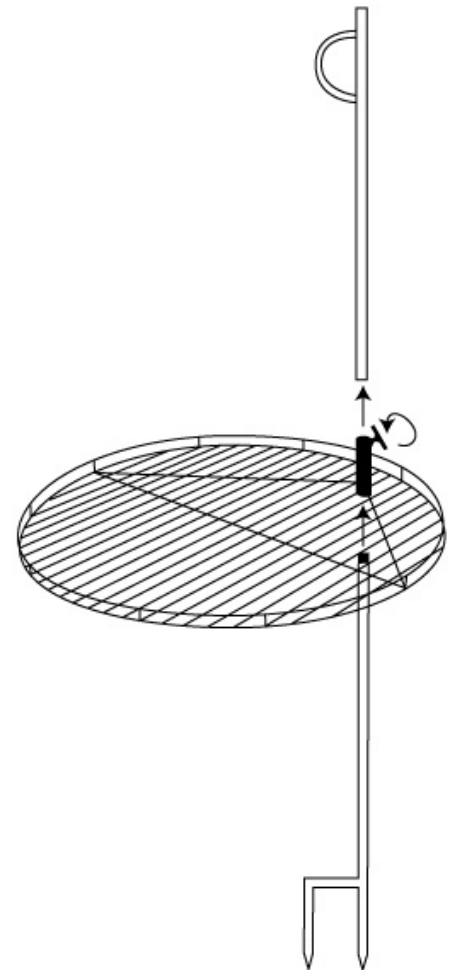
Push the ground stake into a hard, compact surface or secure between several rocks. Make sure ground stake is well into the ground. Loosen the turn lock screw [B] and swing grill into open fire pit. Add grilling items.

Helpful Hints:

- Turn grill slowly to avoid rolling the food off the grill.
- Be cautious, the grill will be hot if placed over a fire. Use hand protection.
- Do not place the grill in an area where it could be easily tripped over.

Cleaning instructions:

The swing-away grill should be cleaned periodically using hot, soapy water. Use a wire brush, steel wool or a scouring pad to remove stubborn or loose spots.



Distributed by Menard, Inc.
Eau Claire, WI 54703
Made In China | Copyright 2019
For customer service, contact service@qualitycraft.com.



WARNING
Cancer and Reproductive Harm
www.P65Warnings.ca.gov