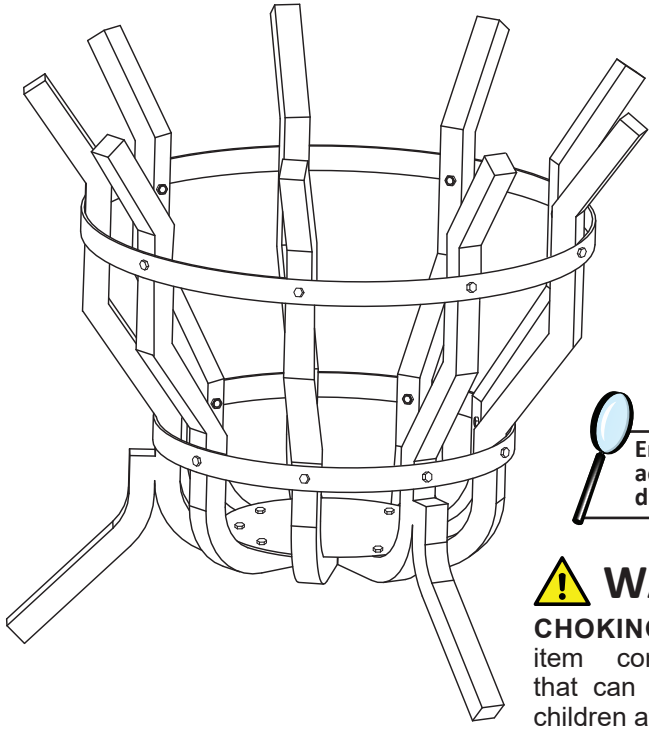



MODERN FLUTED LOG HOLDER

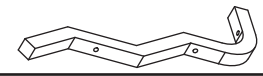
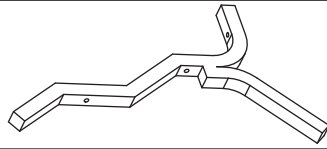
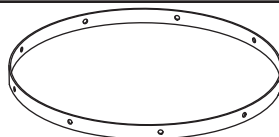
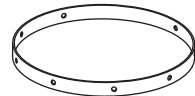
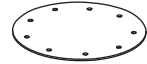
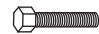


QX-182

Read the assembly instructions carefully and follow the care instructions. Save this document for future reference.
Assemble on a soft, clean surface to avoid scratching or damaging the finish.



 Ensure all parts are accounted for before disposing of packaging.

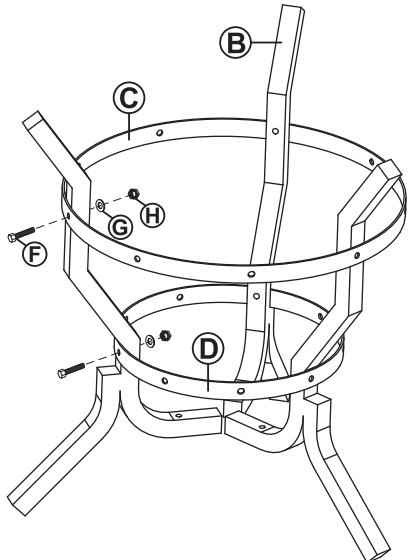
⚠ WARNING
CHOKING HAZARD — This item contains small parts that can be swallowed. Keep children away during assembly.

NO.	PARTS		QTY.
A		Side Post	6
B		Leg Post	3
C		Large Ring	1
D		Small Ring	1
E		Base Plate	1
F		Bolt	27
G		Washer	27
H		Lock Nut	27

ASSEMBLY

Read carefully and understand assembly before beginning.
Do not fully tighten hardware until all components have been loosely assembled.

- STEP 1**
B: 3
C: 1
D: 1
F: 6
G: 6
H: 6



NOTE: Posts (A and B) install on the inside of rings (C and D). Leg Posts (B) must be evenly spaced, with 2 mounting holes between each leg, as shown.

When installing lock nuts, the metal thread goes on first. Hand-tighten until you feel resistance, which is caused by the nylon insert.

- Place Leg Post (B) on the inside of Small Ring (D). Loosely fasten the small ring to the bottom of the post leg using Bolt (F), Washer (G) and Lock Nut (H).
- Align Large Ring (C) with the top of Leg Post (B) and loosely fasten using Bolt (F), Washer (G) and Lock Nut (H).
- Ensuring the leg posts are evenly spaced, insert the remaining two leg posts up through the inside of the rings and repeat the previous steps.

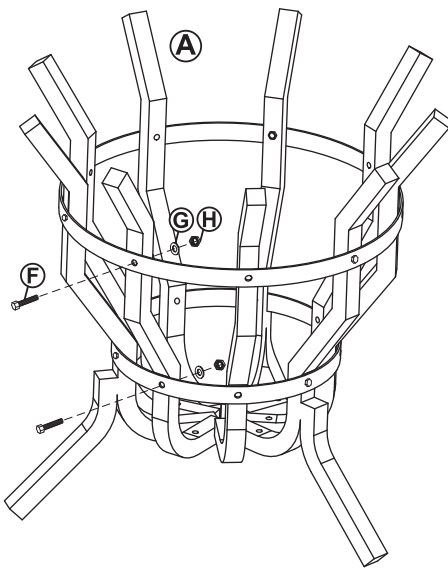
STEP 2

A: 6

F: 12

G: 12

H: 12



- Place Side Post (A) inside the rings and secure using Bolt (F), Washer (G) and Lock Nut (H).
- Repeat this step until all six side posts have been loosely installed.

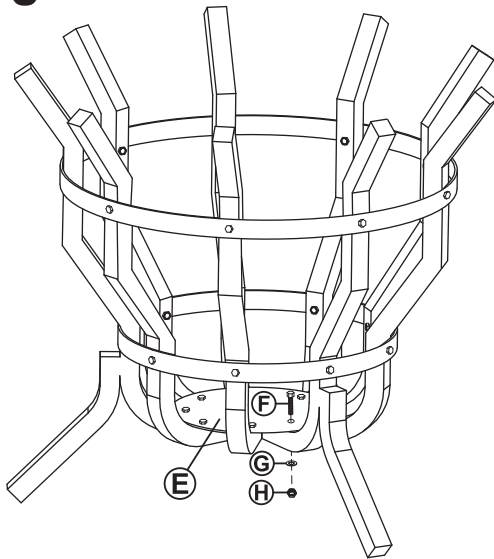
STEP 3

E: 2

F: 9

G: 9

H: 9



- Place Base Plate (E) inside the assembled components, as shown.
- Align the holes of the base plate with the posts and secure using nine sets of Bolt (F), Washer (G) and Lock Nut (H).

Tightly fasten all hardware after this step is complete.



CARE & MAINTENANCE

- **CLEANING:** Use a soft cloth, water and mild detergent (if necessary). Dry after cleaning to prevent rust.
- **STORAGE:** Store indoors when not in use. Cool, dry locations are recommended to prevent damage that may result from exposure to moisture.

! SAFETY STATEMENTS & WARNINGS !

- Ensure fittings are tight before use. Periodically check fittings to ensure they are tight.
- This item is not a toy – supervise children around this product.

Any modification to the product or failure to follow recommended care will void the product warranty.

! WARNING:

Manufacturer and seller expressly disclaim any and all liability from personal injury, property damage or loss, whether direct or indirect, or incidental, resulting from the incorrect attachment, improper use, inadequate maintenance, or neglect of this product.