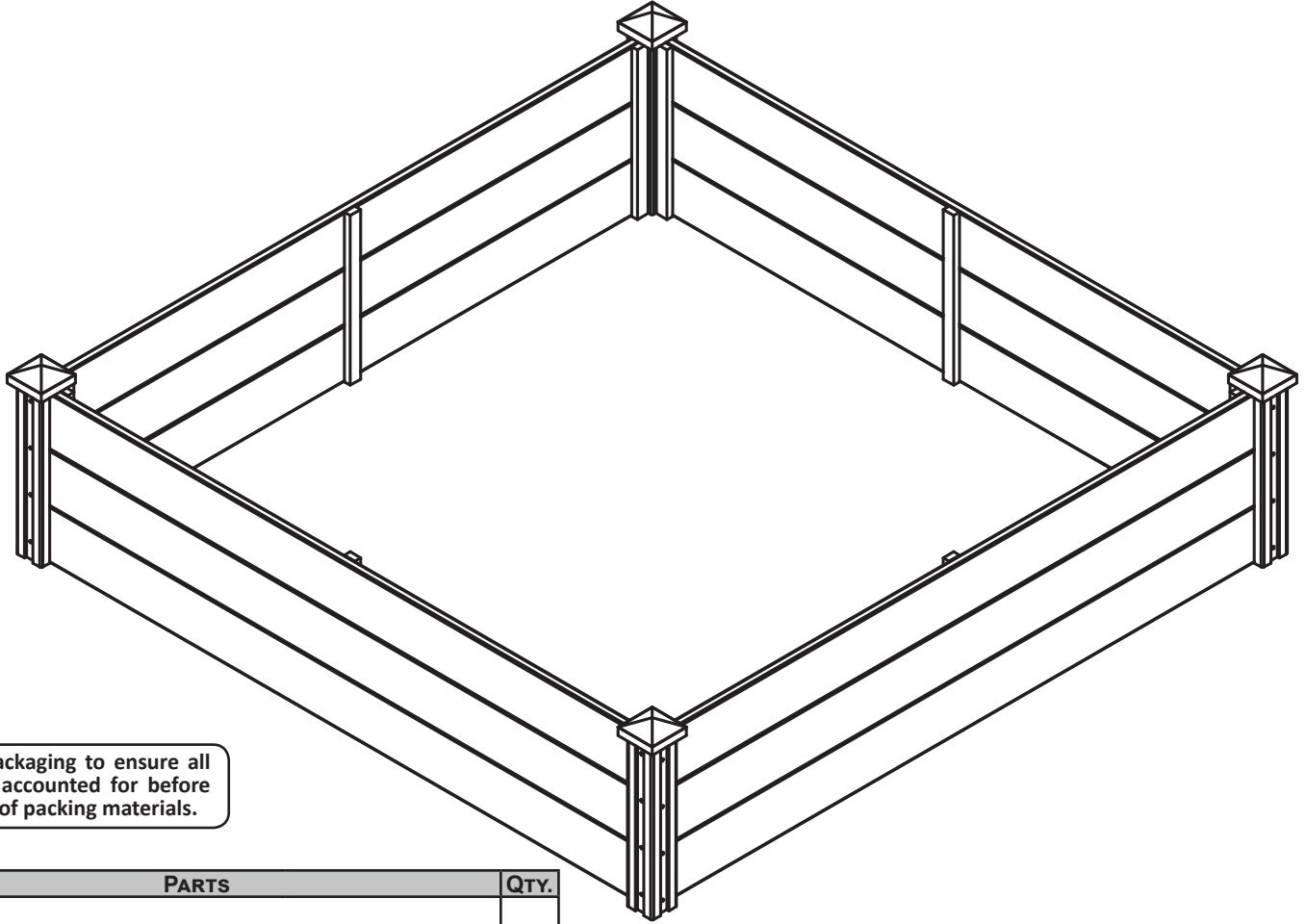


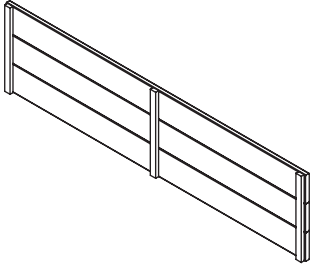
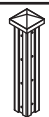

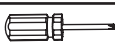
Thank you for choosing Sunnydaze Decor. We stand behind our brand and the quality of the items we sell. Replacement parts or products will be sent at our discretion within the 1-year warranty period. Proof of purchase, with the date of purchase as well as photos of the merchandise defect, must be provided. Photos are used to determine the cause of defects and for future quality control. Register your warranty at <https://tiny.cc/SunnydazeWarranty>. If you have any questions, comments or concerns, feel free to contact us by phone at 833-982-1977, by email: customerservice@sunnydazedecor.com, or via our contact us page at <https://tiny.cc/SunnydazeContact>

SQUARE WOOD RAISED GARDEN BED HB-710

Read the assembly instructions carefully and follow the care instructions. Save this document for future reference.
Assemble components on a soft, clean surface to avoid scratching or damaging any surfaces.



Inspect packaging to ensure all parts are accounted for before disposing of packing materials.

No.	PARTS		QTY.
A		Side Panel	4
B		Corner Post	4
C		M4x70mm Screw	32
D		Screwdriver	1

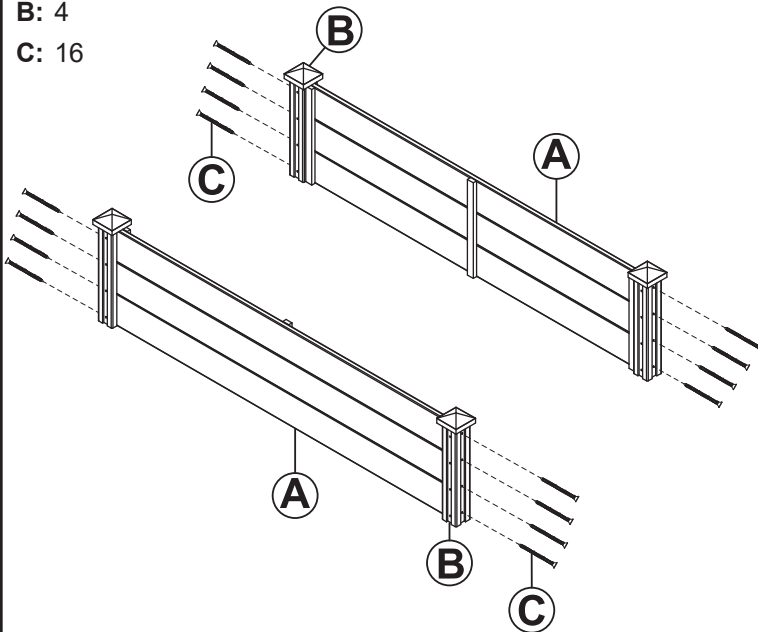
⚠ WARNING ⚠

CHOKING HAZARD — This item contains small parts that can be swallowed. Keep children away during assembly.

ASSEMBLY

STEP 1

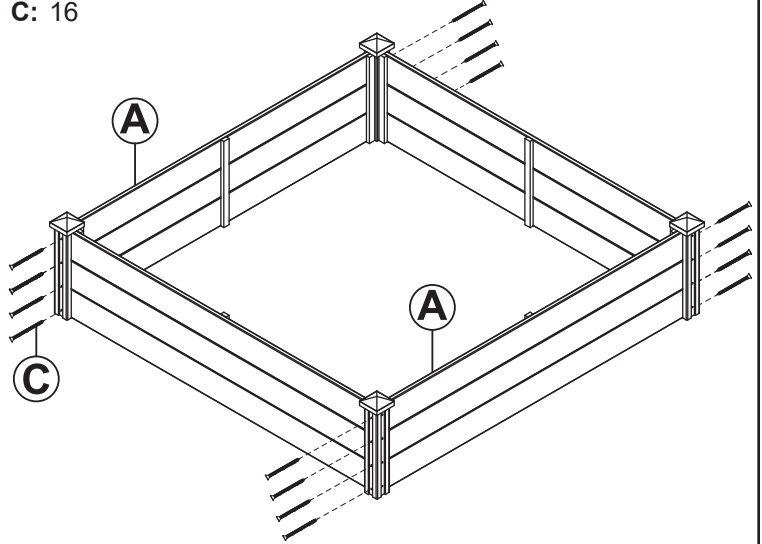
A: 2
B: 4
C: 16



Align Corner Post (B) with Side Panel (A).
Use four M4x70mm Screws (C) to secure each post to the side panel, as shown.
Repeat this step to assemble the other side.
Do not over-tighten the screws as it may cause the wood to crack.

STEP 2

A: 2
C: 16



Align remaining two Side Panels (A) between the corner posts of the assembled components.
Secure each post to the side panel using four M4x70mm Screws (C), as shown.
Do not over-tighten the screws as it may cause the wood to crack.

Care & Maintenance

LEVEL SURFACE: Select a flat, level surface to place this item before filling and using it.

CLEANING: Follow the woodgrain with a soft brush or cloth to remove dust, dirt and debris. Do not use chemicals or abrasive materials as they may damage the wood.

WINTER CARE & MAINTENANCE: In climates where snow and ice accumulate, emptying and storing this item indoors is recommended to prevent damage and maintain the appearance.

Wood expands when wet and contracts as it dries. Repeated and excessive exposure to moisture, rain or snow can cause damage to the product. Resulting damage includes, but is not limited to, assembly points becoming loose, wood cracking, mold and mildew growth, and hardware rust.

! HELPFUL HINT

Lining the planter box with landscaping fabric is recommended.

Lining the planter box can help insulate the soil against extreme temperatures, help retain soil moisture, prevent soil from escaping through the bottom, and could help maintain the appearance of the wood.

Any modification to the product or failure to follow recommended care will void the product warranty.

! WARNING:

Manufacturer and seller expressly disclaim any and all liability from personal injury, property damage or loss, whether direct or indirect, or incidental, resulting from the incorrect attachment, improper use, inadequate maintenance, or neglect of this product.