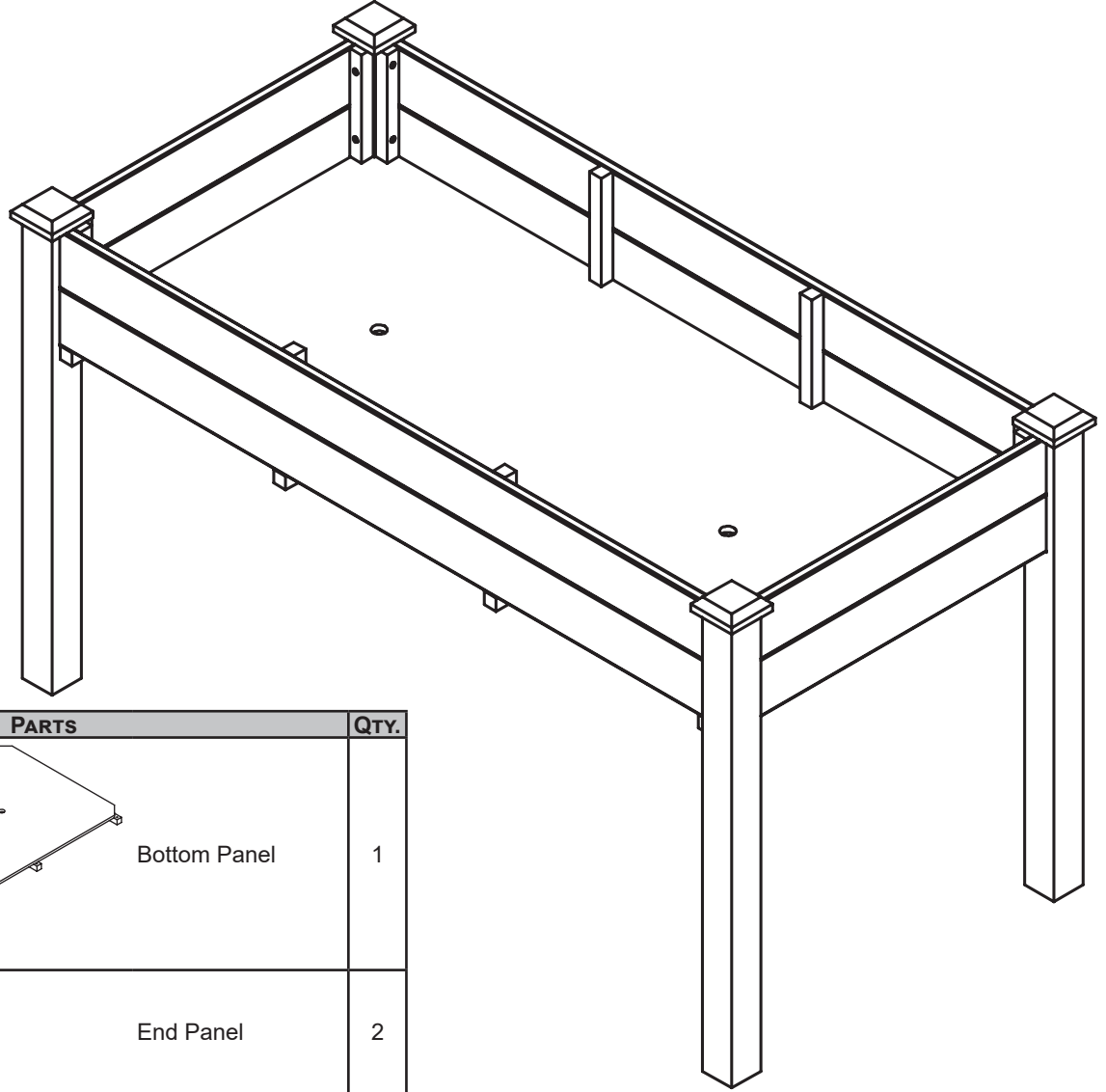

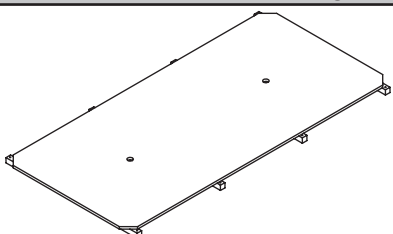
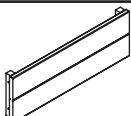
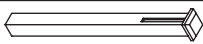
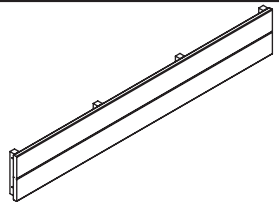




# WOOD ELEVATED GARDEN PLANTER BOX HB-703

Read the assembly instructions carefully and follow the care instructions. Save this document for future reference.  
**Assemble components on a soft, clean surface to avoid scratching or damaging any surfaces.**



 Ensure all parts are accounted for before disposing of packaging.

No.	PARTS		QTY.
A		Bottom Panel	1
B		End Panel	2
C		Leg	4
D		Side Panel	2
E		M4x40mm Screw	24
F		Screwdriver	1

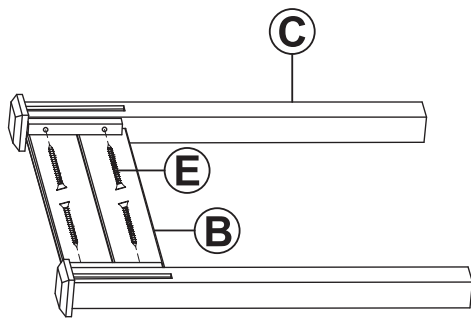
**⚠ WARNING ⚠**

**CHOKING HAZARD** — This item contains small parts that can be swallowed. Keep children away during assembly.

# ASSEMBLY

## STEP 1

B: 2  
C: 4  
E: 8



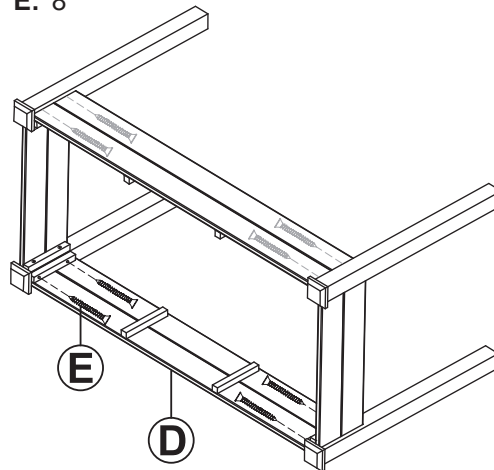
Align End Panel (B) with 2x Leg (C) and secure with 4x M4x40mm Screw (E).

Repeat this step to assemble the other side.

Do not over-tighten screws, doing so may crack the wood.

## STEP 2

D: 2  
E: 8

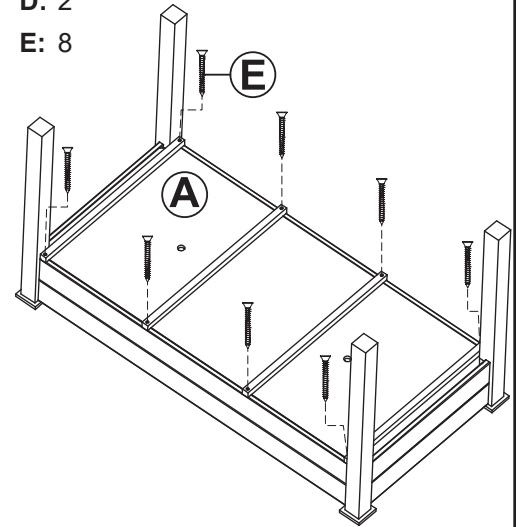


Secure 2x Side Panels (D) to the inside edges of the assembled leg/end panels using 8x M4x40mm Screws (E).

Do not over-tighten screws, doing so may crack the wood.

## STEP 3

D: 2  
E: 8



Place Bottom Panel (A) on the bottom of the assembled components, as shown.

Secure Bottom Panel (A) using 8x M4x40mm Screws (E).

Do not over-tighten screws, doing so may crack the wood.

## Care & Maintenance

**LEVEL SURFACE:** Select a flat, level surface to place this item before filling and using it.

**INSPECT:** Periodically check all hardware and tighten as necessary.

**MOVING:** Do not move the garden bed while it is full or in use. When empty, and with assistance of another person, lift beneath the side panels of the planter box. Do not drag the garden bed as doing so will weaken assembly points and could cause breakage.

**CLEANING:** Follow the woodgrain with a soft brush or cloth to remove dust, dirt and debris. Do not use chemicals or abrasive materials as they may damage the wood.

**STORAGE:** Maintain the unit and prevent damage by emptying and storing this item indoors when not in use.

Wood expands when wet and contracts as it dries. Repeated and excessive exposure to moisture, rain or snow can cause damage to the product. Resulting damage includes, but is not limited to, assembly points becoming loose, wood cracking, mold and mildew growth, and hardware rust.

### ! HELPFUL HINT

Lining the planter box with landscaping fabric is recommended.

Lining the planter box can help insulate the soil against extreme temperatures, help retain soil moisture, prevent soil from escaping through the bottom, and could help maintain the appearance of the wood.

Any modification to the product or failure to follow recommended care will void the product warranty.

### ! WARNING:

Manufacturer and seller expressly disclaim any and all liability from personal injury, property damage or loss, whether direct or indirect, or incidental, resulting from the incorrect attachment, improper use, inadequate maintenance, or neglect of this product.