



2-in-1 Chipper

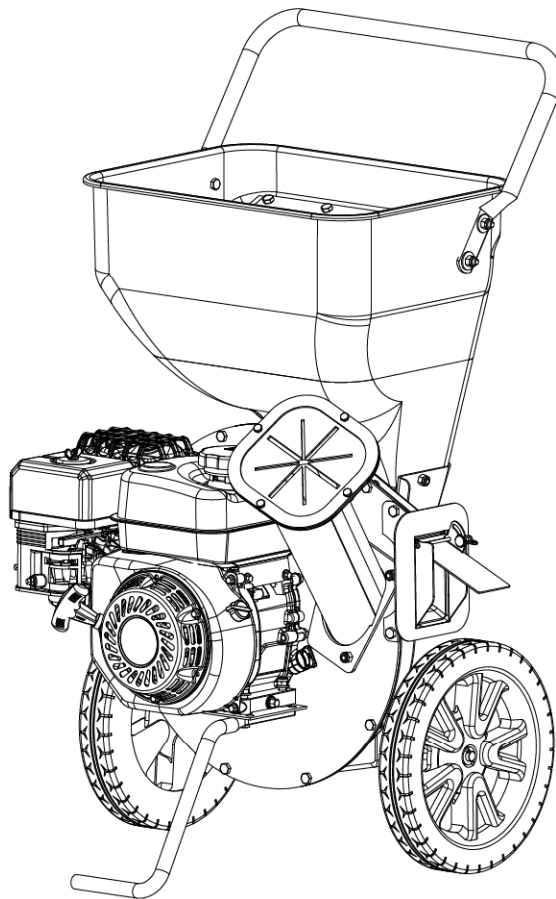
Operator's Manual

MODEL NUMBER
YW6065

SERIAL NUMBER

PURCHASE DATE

Both model number and serial number may be found on the main label. You should record both of them in a safe place for future use.



FOR YOUR SAFETY

READ AND UNDERSTAND THE ENTIRE MANUAL BEFORE OPERATING MACHINE

Your new YARDMAX® chipper offers quality construction, and is easy and safe to operate. With proper use and care, it is designed to give you many years of dependable service.

Prepare to experience the durability to take on any job with the ease, portability, and convenience of your new chipper!

Discover the YARDMAX Advantage

At YARDMAX, we understand that land ownership definitely has its privileges, but it also comes with a great deal of responsibility. When duty calls and you need to respond, will you have what it takes to tame the great outdoors?

When looking for outdoor power equipment (OPE) to get the job done right, at the right price, YARDMAX delivers the perfect combination of performance and practicality. YARDMAX has a solution that's right for you.

MAX Performance, MAX Value, MAX Support – that's YARDMAX

- ✓ Backed by decades of proven manufacturing expertise
- ✓ Enhanced design features come standard
- ✓ Engineered for the best user experience
- ✓ Quality metal parts are used instead of plastic
- ✓ A robust warranty supports all products
- ✓ Budget-friendly prices make it practical



Up for the job? YARDMAX is.

TABLE OF CONTENTS

Introduction	1
Symbols	3
Specifications	4
Safety	4
Contents Supplied	8
Assembly	9
Know Your Machine	12

Operation	14
Transporting	16
Maintenance	16
Storage	19
Troubleshooting	20
Parts Diagram	21
Parts List	22



Carefully read through this entire operator's manual before using your new unit. Pay attention to all cautions and warnings.

This unit is a gasoline engine driven chipper. It is designed to cut wood into chips. It offers quality solid steel construction and is easy and safe to operate. With proper use and care, it should give you many years of dependable service.

ENGINE MANUAL

The **Engine Manufacturer** is responsible for all engine-related issues with regards to performance, power rating, specifications, warranty and service. Please refer to the **Engine Manufacturer's** owner/operator's manual, packed separately with your unit, for more information.

EMISSION CONTROL SYSTEM

This equipment and or its engine may include exhaust and evaporative emission control system components required to meet U.S. Environmental Protection Agency (EPA) and/or California Air Resources Board (CARB) regulations. Tampering with emission controls and components by unauthorized personnel may result in severe fines or penalties. Emission controls and components can only be adjusted by an authorized engine manufacturer's service center.

CALIFORNIA PROPOSITION 65 WARNING

Engine exhaust, some of its constituents and certain product components contain or emit chemicals known to the state of California to cause cancer and birth defects or other reproductive harm. [For more information, go to www.P65Warnings.ca.gov.](http://www.P65Warnings.ca.gov)

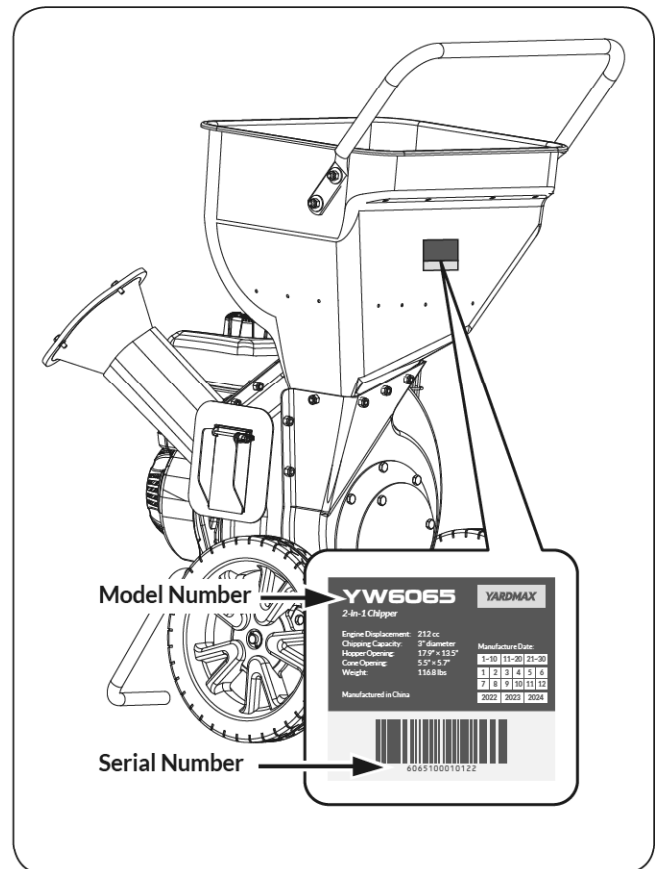
ENVIRONMENTAL



Recycle unwanted materials instead of disposing of them as waste. All tools, hoses and packaging should be resorted, taken to the local recycling center and disposed of in an environmentally safe way.

MODEL AND SERIAL NUMBERS

Record the model and serial number as well as date and place of purchase for future reference. Have this information available when ordering parts or **optional accessories** and when making technical or warranty inquiries.

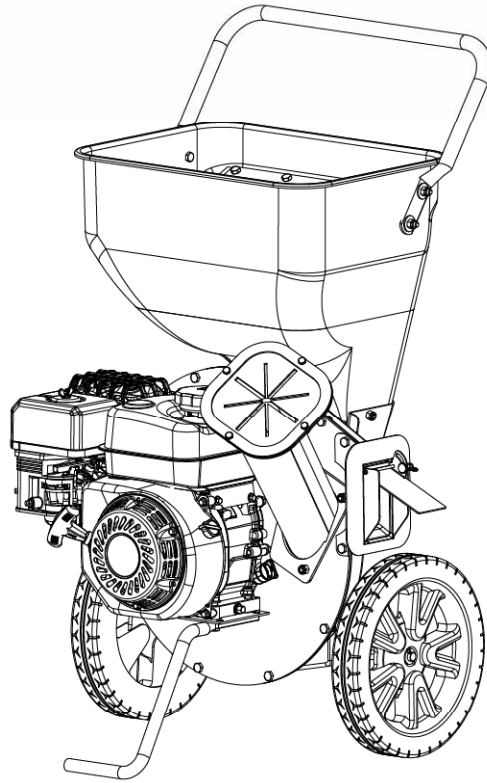


DISCLAIMER

Yardmax reserves the right to discontinue, change, and improve its products at any time without notice or obligation to the purchaser. The descriptions and specifications contained in this manual were in effect at printing. Equipment described within this manual may be optional. Some illustration may not be applicable to your unit.

SUPPORT

Have questions about your YARDMAX equipment? Call us at 847-327-0566 or 844-YARDMAX, email us at support@yardmax.com, or contact us via your favorite social media site.



SYMBOLS

The rating plate on your machine may show symbols. These represent important information about the product or instructions on its use.



Read these instructions for use carefully.



Wear eye protection.



Wear protective gloves.



Wear safety footwear.



Do not remove or tamper with the protection and safety devices.



Do not touch parts which are hot from operation. Serious burns may result.



No smoking, No sparks, No flames.



Keep your hand and feet away from moving parts.



Thrown Objects.



Be sure the engine's switch is off before transporting the machine or performing any maintenance.



Keep bystanders away.

SPECIFICATIONS

Model Number	YW6065
Engine	Yardmax
Displacement	212 cc
Start Type	Recoil
EPA/CARB Approval	Yes
Wood Diameter	3"
Feed Type	Gravity
Number of Blades	2
Replaceable Blades	Yes
Bag	Included
Discharge Chute Material	Steel
Weight	116.8 lbs

SAFETY

GENERAL SAFETY RULES

UNDERSTAND YOUR MACHINE

Read this manual and labels affixed to the machine to understand its limitations and potential hazards.

Be thoroughly familiar with the controls and their proper operation. Know how to stop the machine and disengage the controls quickly.

Make sure to read and understand all the instructions and safety precautions as outlined in the **Engine Manufacturer's** manual packed separately with your unit. Do not attempt to operate the machine until you fully understand how to properly operate and maintain the engine and how to avoid accidental injuries and/or property damage.

YW6065PM01 - 2306

If the unit is to be used by someone other than original purchaser or loaned, rented, or sold, always provide this manual and any needed safety training before operation. The user can prevent and is responsible for accidents or injuries that may occur to themselves, other people, and property.

Do not force the machine. Use the correct machine for your application. The correct machine will do the job more efficiently and safer at the rate it was designed.

PERSONAL SAFETY

Do not permit children to operate this machine at any time.

Keep children, pets, and other people not using the unit away from the work area. Be alert and shut off unit if anyone enters work area. Keep children under the watchful care of a responsible adult.

Do not operate the machine while under the influence of drugs, alcohol, or any medication that could affect your ability to use it properly.

Dress properly. Wear heavy long pants, boots, and gloves. Do not wear loose clothing, short pants, or jewelry of any kind. Secure long hair so it is above shoulder level. Keep your hair, clothing, and gloves away from moving parts. Loose clothes, jewelry, or long hair can be caught in moving parts.

Protect eyes, face, and head from objects that may be thrown from the unit. Always wear safety goggles or safety glasses with side shields when operating.

Wear appropriate hearing protection.

Always keep hands and feet away from all moving parts during operation. Moving parts can cut or crush body parts.

Always keep hands and feet away from all pinch points.

Do not touch parts that might be hot from operation. Allow parts to cool before attempting to maintain, adjust, or service.

Stay alert, watch what you are doing, and use common sense when operating the machine.

Do not overreach. Do not operate the machine while barefoot or when wearing sandals or similar lightweight footwear. Wear protective footwear that will protect your feet and improve your footing on slippery surfaces. Keep proper footing and balance at all times. This enables better control of the machine in unexpected situations.

INSPECT YOUR MACHINE

Check your machine before starting it. Keep guards in place and in working order. Make sure all nuts, bolts, etc., are securely tightened.

Never operate the machine when it is in need of repair or is in poor mechanical condition. Replace damaged, missing, or failed parts before using it. Check for fuel leaks. Keep the machine in safe working condition.

Do not use the machine if the engine's switch does not turn it on or off. Any gasoline powered machine that can't be controlled with the engine switch is dangerous and must be replaced.

Regularly check to see that keys and adjusting wrenches are removed from the machine area before starting it. A wrench or a key that is left attached to a rotating part of the machine may result in personal injury.

Avoid accidental starting. Be sure the engine's switch is off before transporting the machine or performing any maintenance or service on the unit. Transporting or performing maintenance or service on a machine with its switch on invites accidents.

If the machine should start to vibrate abnormally, stop the engine (motor) and check immediately for the cause. Vibration is generally a warning sign of trouble.

ENGINE SAFETY

This machine is equipped with an internal combustion engine. Do not use on or near any unimproved, forest covered, or brush covered land unless the exhaust system is equipped with a spark arrester meeting applicable local, state, or federal laws.

In the state of California, a spark arrester is required by law. Other states have similar laws. A spark arrester, if used, must be maintained in effective working order by the operator.

Never start or run the engine inside a closed area. The exhaust fumes are dangerous, containing carbon monoxide, an odorless and deadly gas. Operate this unit only in a well-ventilated outdoor area.

Do not tamper with the engine to run it at excessive speeds. The maximum engine speed is preset by the manufacturer and is within safety limits. See engine manual.

Keep a Class B fire extinguisher on hand when operating this chipper in dry areas as a precautionary measure.

FUEL SAFETY

Fuel is highly flammable, and its vapors can explode if ignited. Take precautions when using to reduce the chance of serious personal injury.

When refilling or draining the fuel tank, use an approved fuel storage container while in a clean, well-ventilated outdoor area. Do not smoke, or allow sparks, open flames, or other sources of ignition near the area while adding fuel or operating the unit. Never fill the fuel tank indoors.

Keep grounded conductive objects, such as tools, away from exposed, live electrical parts and connections to avoid sparking or arcing. These events could ignite fumes or vapors.

Always stop the engine and allow it to cool before filling the fuel tank. Never remove the cap of the fuel tank or add fuel while the engine is running or when the engine is hot. Do not operate the machine with known leaks in the fuel system.

Loosen the fuel tank cap slowly to relieve any pressure in the tank.

Never overfill the fuel tank. Fill the tank to no more than 1/2" below the bottom of the filler neck to provide space for expansion as the heat of the engine can cause fuel to expand.

Replace all fuel tank and container caps securely and wipe up spilled fuel. Never operate the unit without the fuel cap securely in place.

Avoid creating a source of ignition for spilled fuel. If fuel is spilled, do not attempt to start the engine but move the machine away from the area of spillage and avoid creating any source of ignition until fuel vapors have dissipated.

When fuel is spilled on yourself or your clothes, wash your skin and change clothes immediately.

Store fuel in containers specifically designed and approved for this purpose.

Store fuel in a cool, well-ventilated area, safely away from sparks, open flames, or other sources of ignition.

Never store fuel or a machine with fuel in the tank inside a building where fumes may reach a spark, open flame, or any other source of ignition, such as a water heater, furnace, or clothes dryer. Allow the engine to cool before storing in any enclosure.

SPECIFIC SAFETY RULES

Identify hazards and take preventive steps to avoid accidents and minimize risk. Possible hazards include, but are not limited to, moving parts, thrown objects, weight of the machine and components, and the operating environment.

Never operate this machine without the feed hopper or discharge chute properly attached.

PRIOR TO STARTING

Thoroughly inspect the area in which you are working, keeping it clean and free of debris to prevent tripping. Operate on a flat level ground.

Before starting your chipper: make sure the feed hopper and cutting housing are empty and free of all debris, check the oil level, make sure all nuts and bolts are tight, and check the air pressure in the tires.

OPERATION SAFETY

Never place any part of your body where it would be in danger if movement should occur during assembly, installation, operation, maintenance, repair, or moving.

Keep all bystanders and pets at least 75 feet away. If you are approached, stop the unit immediately.

Never place your hands, feet, or any part of your body in the chipper hopper, discharge opening, or near or under any moving part while the machine is running. Keep the area of discharge clear of people, animals, buildings, glass, or anything else that will obstruct clear discharge, causing injury or damage. Wind can also change discharge direction, so be aware. If it becomes necessary to push materials to the chipper hopper, use a small-diameter stick, not your hands.

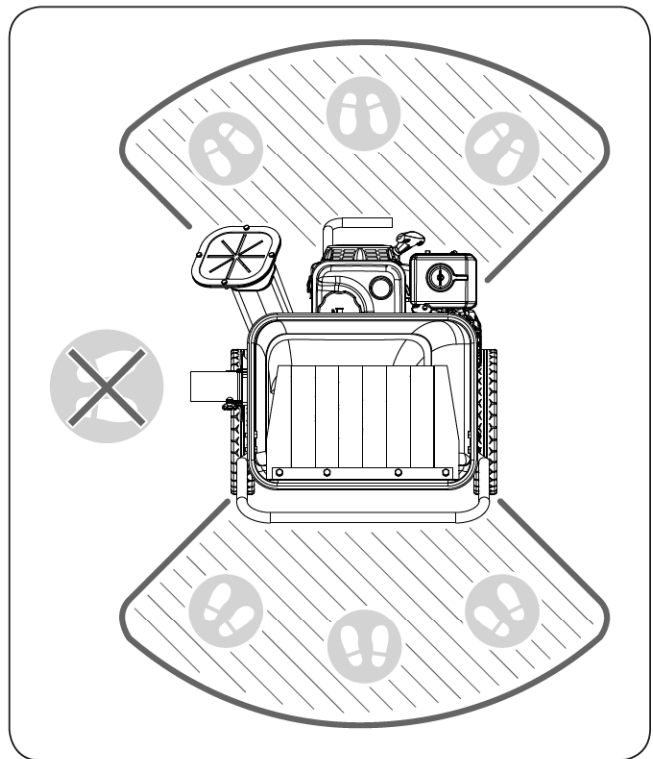
Keep your face and body back from the chipper hopper and discharge chute to avoid injury from accidental bounce back of material.

Never reach with your hands inside the feed hopper past the rubber flap while operating the machine.

Keep combustible substances away from the engine when it is hot.

Do not tilt the machine while the engine is running.

OPERATING ZONE



FEEDING MATERIALS

Feed only clean materials into the machine. Foreign matter such as soil, sand, grit, stones, pieces of metal, etc. will damage the sharp edge of the cutting knives. Root balls and dead wood will also dull the blades quickly.

Avoid feeding pine needles, flax and cabbage tree leaves into the machine; these stringy materials can wrap around the rotor shaft and work their way into the bearing.

Avoid feeding short, stubby pieces of wood into the machine; they tend to bounce and spin in the feed hopper. Feed these short pieces together with longer pieces. After becoming familiar with the machine, prune to suit its capabilities.

This machine is self-feeding, do not force branches into the blades. Allow the machine to automatically feed through. Allow time for the machine to reach the highest spinning revolutions before feeding the next load of branches.

UNCLOGGING

Never allow processed material to build up in the discharge area. This can prevent proper discharge and result in kickback from the chipper hopper.

Never attempt to unclog either the feed hopper or discharge chute while the engine is running. Immediately shut off the engine, allow the cutting disk to come to a complete stop, and then remove the clogged material. Inspect for damage and check for any loose parts for repair or replacement.

Whenever you leave the operating position or if you have to remove processed material, leaves, or debris from the machine, always shut down the engine, and ensure the engine is switched to "off" to prevent accidental starting, and wait for all moving parts to come to a complete stop.

Before opening the cutting disk housing, always make sure the engine is switched off, the cutting disk is at a complete standstill, and the belt drive is disengaged.

MOVING

Move the machine at least 10 feet away from the refueling point before starting engine.

This chipper is for movement by hand only. Never attempt to tow the machine on public highways, roads, or thoroughfares.

Always stop the engine before moving the machine, and watch out for sharp objects that could pierce the tires.

MACHINE USE AND CARE

Position the machine in such a way that it can not move during maintenance, cleaning, adjustment, assembly of accessories or spare parts, as well as under storage.

Do not force the machine. Use the correct machine for your application. The correct machine will do the job better and safer at the rate for which it is designed.

Do not change the engine governor settings or over-speed the engine. The governor controls the maximum safe operating speed of the engine.

Do not run the engine at a high speed when you are not working.

Do not put hands or feet near rotating parts.

This machine has two rotating cutting knives capable of amputating hands and feet and throwing objects. Keep hands and feet out of openings while machine is running. Failure to observe these safety instructions could result in serious injury or death.

Avoid contact with hot fuel, oil, exhaust fumes and hot surfaces. Do not touch the engine or muffler. These parts get extremely hot from operation. They remain hot for a short time after you turn off the unit. Allow the engine to cool before doing maintenance or making adjustments.

If the machine should start to make an unusual noise or vibration, immediately shut off the engine, disconnect the spark plug wire, and check for the cause. Unusual noise or vibration is generally a warning of trouble.

Use only attachments and accessories approved by the manufacturer. Failure to do so can result in personal injury.

Keep the engine and muffler free of grass, leaves, excessive grease or carbon build up to reduce the chance of a fire hazard.

Never douse or squirt the unit with water or any other liquid. Keep handles dry, clean and free from debris. Clean after each use.

Observe proper disposal laws and regulations for gas, oil, etc. to protect the environment.

When storing machine out of the reach of children and do not allow persons unfamiliar with the machine or these instructions to operate it. This machine can be dangerous when used by an untrained user.

MAINTAINING YOUR MACHINE

Some parts of this machine are made of plastic or rubber and should be kept away from chemicals.

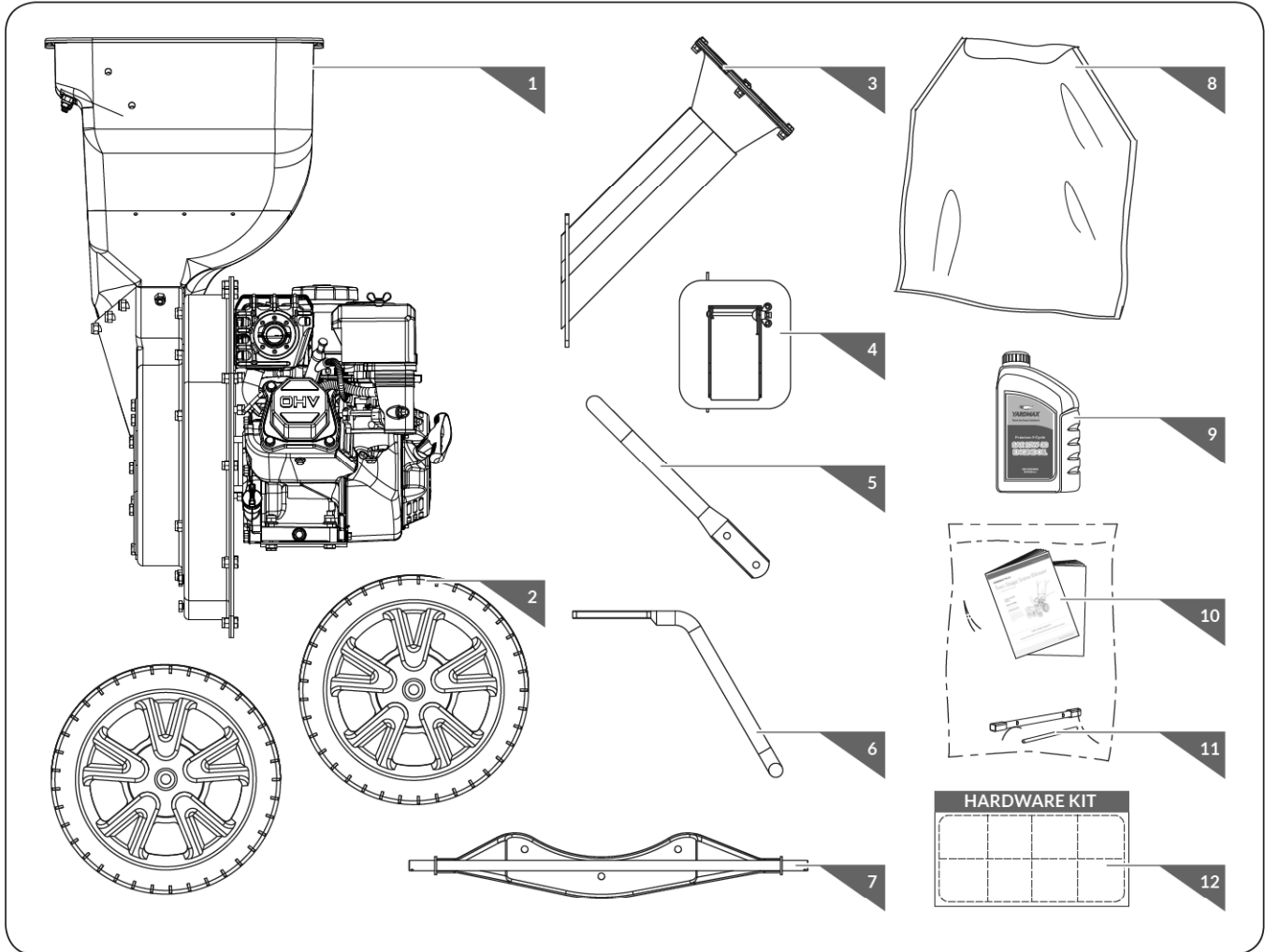
Never cover the machine while the muffler is still hot.

Do not alter or adjust any part of the chipper or its engine that is sealed by the manufacturer or distributor. Only a qualified service technician may adjust parts that increase or decrease governed engine speed.

To maintain your machine, check for any misalignment or binding of any moving parts. Parts that are broken or worn down that may affect the machine's operation. If damage or worn parts are identify, they should be repaired before use. Many accidents are caused by poorly maintained equipment.

CONTENTS SUPPLIED

Your YARDMAX chipper comes partially assembled and contains the following:



- 1. Main Machine
- 2. Wheels (1 pair)
- 3. Chipper Cone
- 4. Deflector
- 5. Handle
- 6. Kickstand Rod
- 7. Wheel Shaft
- 8. Collection Bag
- 9. Engine Oil
- 10. Operator's Manual & Engine Manual

- 11. Tools for Spark Plug Assembly
- 12. Hardware Kit, Including

		× 2	1
	M8 × 12	× 3	2
	M8 × 50	× 2	3
	M8	× 3	4
	M8 × 20	× 2	5
	M8 × 20	× 4	6

ASSEMBLY

This chipper was partially assembled at the factory, following the below assembly instructions to do assembling.

WHEELS

1. Slide a wheel assembly on to each end of the stub axle as seen in **Figure 1 Illustration 1**. Place the flat washer onto exposed axel. (See **Figure 1 Illustration 2**) Take the cotter pin from Hardware Kit#1 and insert into and through the axle hole. Then, bend the ends of the cotter pin. (See **Figure 1 Illustration 3**)

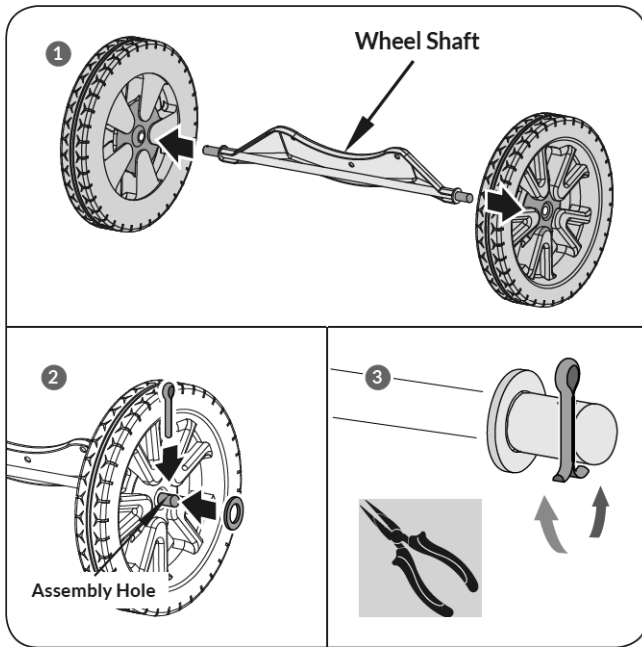


Figure 1



× 2

1

2. Align the three holes on the wheel axel bracket with the three holes on the fan blower housing. (See **Figure 2, Illustration 1**) Then, secure the wheel axel bracket with the three M8×12 bolts from the Hardware Kit#2 as shown in **Figure 2, Illustration 2**.

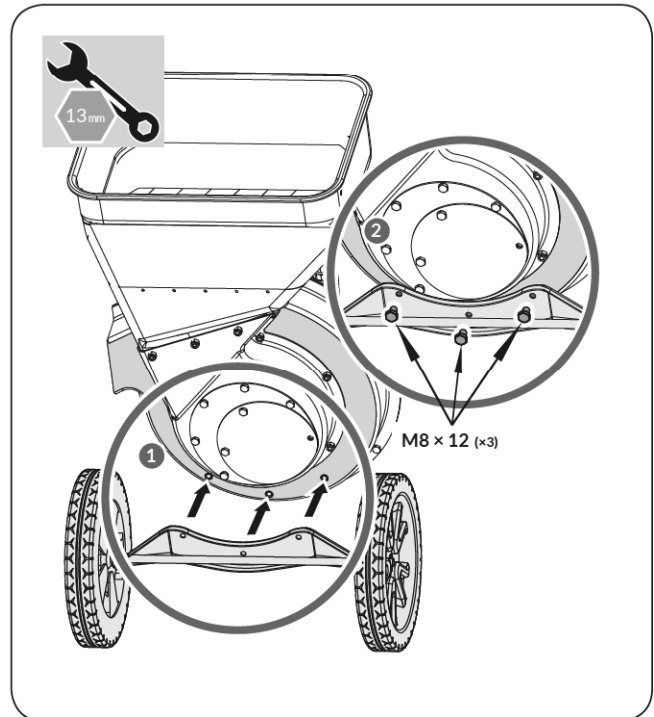


Figure 2



M8 × 12

× 3

2

KICKSTAND ROD

Align the top of the kickstand rod holes with the two holes on the engine mount plate. (See **Figure 3, Illustration 1**) Use the two M8×50 bolts, flat washer, and nuts from Hardware Kit#3 to secure the kickstand. (See **Figure 3, Illustration 2**)

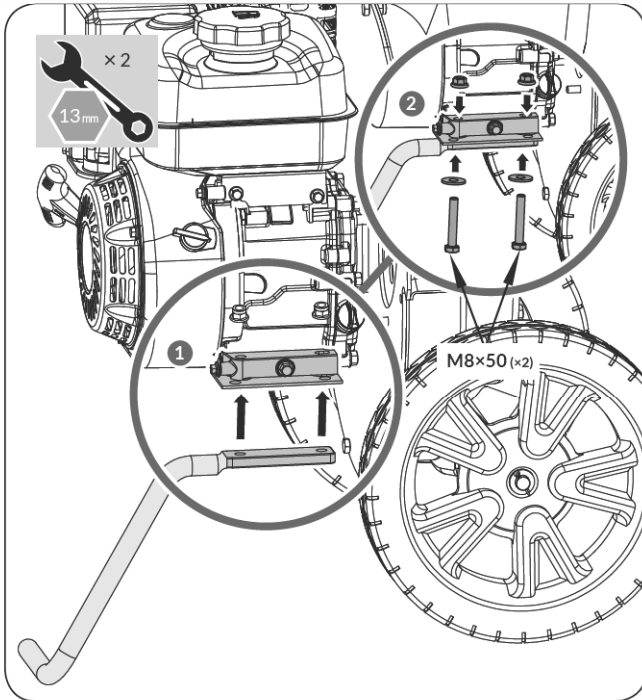
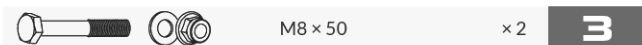


Figure 3



CHIPPER CONE

Align the three holes of the chipper intake cone to the three studs on the rotor disc housing. (See **Figure 4, Illustration 1**) Secure the intake cone with the M8 nuts from Hardware Kit#4. (See **Figure 4, Illustration 2**)

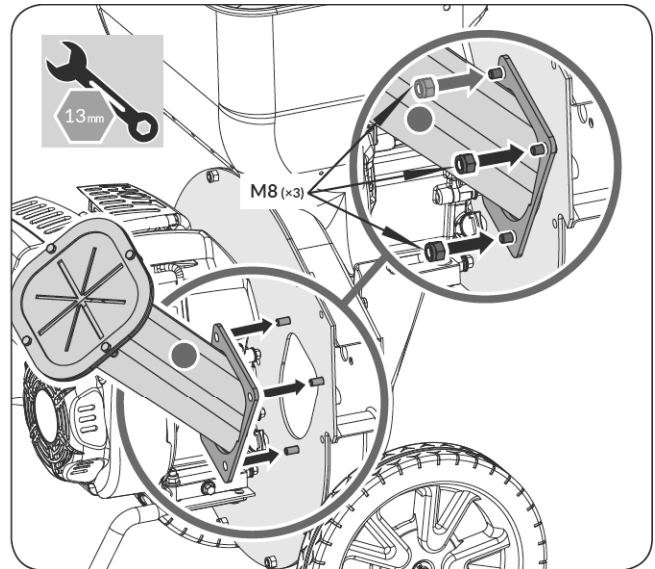


Figure 4



DEFLECTOR

Align the holes in the deflector bracket with the holes in the rotor disc housing as shown in **Figure 5 illustration 1**. Secure with two M8×20 bolts from the Hardware Kit#5.

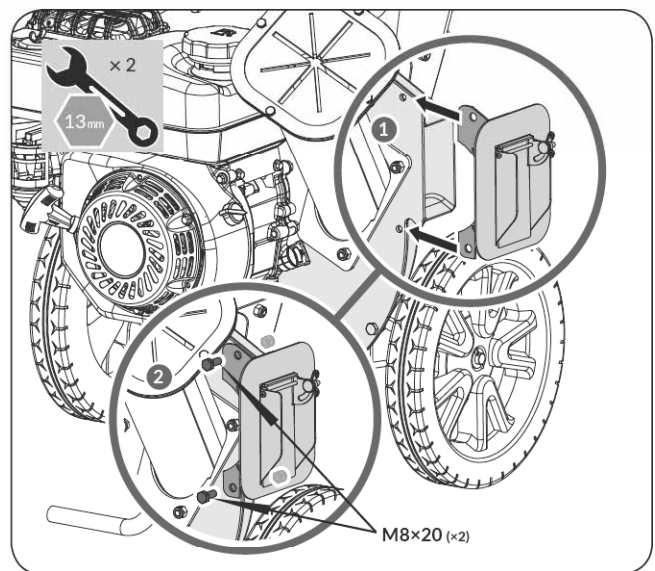
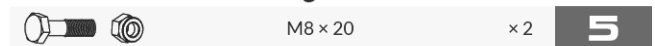


Figure 5



HOPPER HANDLE

Align the holes of the handle bar assembly with the holes on the shredder hopper opening. (See **Figure 6 illustration 1**) Then, secure the handle assembly to the hopper opening with the M8×20 bolts, washers, and nuts from Hardware Kit #6 shown in **Figure 6 illustration 2**.

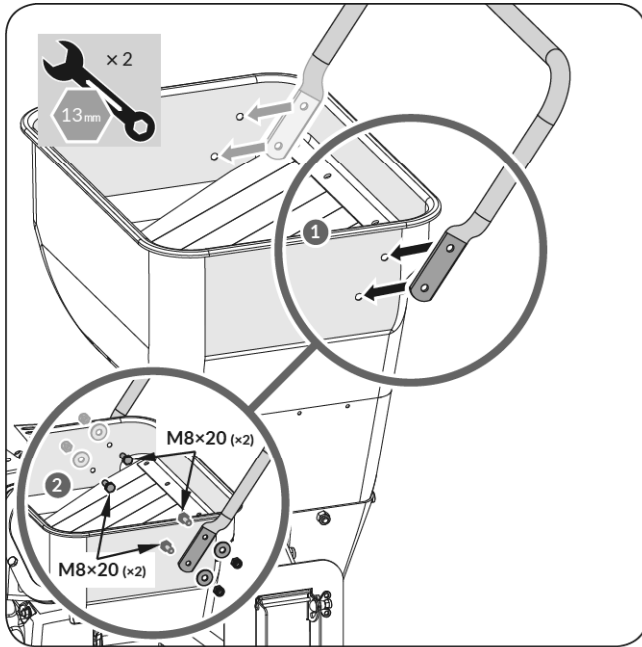
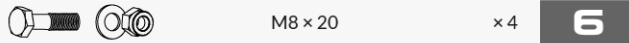


Figure 6



COLLECTION BAG

1. Loosen the adjusting wing nut to set the discharge shoot door. (See **Figure 7 illustration 1**)
2. Open the debris bag and slip the opening of the debris bag over the discharge chute housing. (See **Fig. 7 illustration 2**)
3. Seal the debris bag opening with the Velcro strap. (See **Fig. 7 illustration 3**)

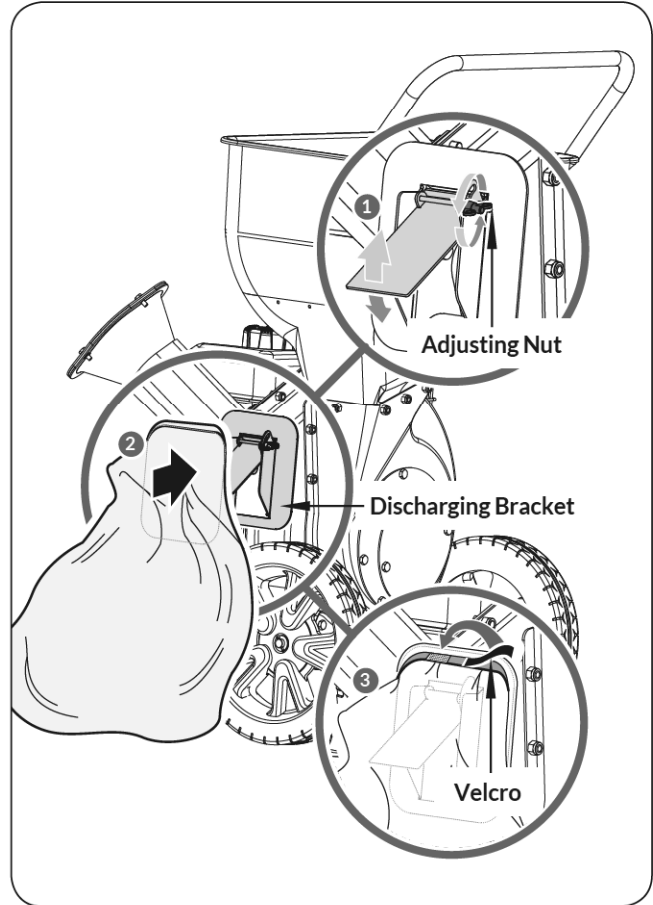
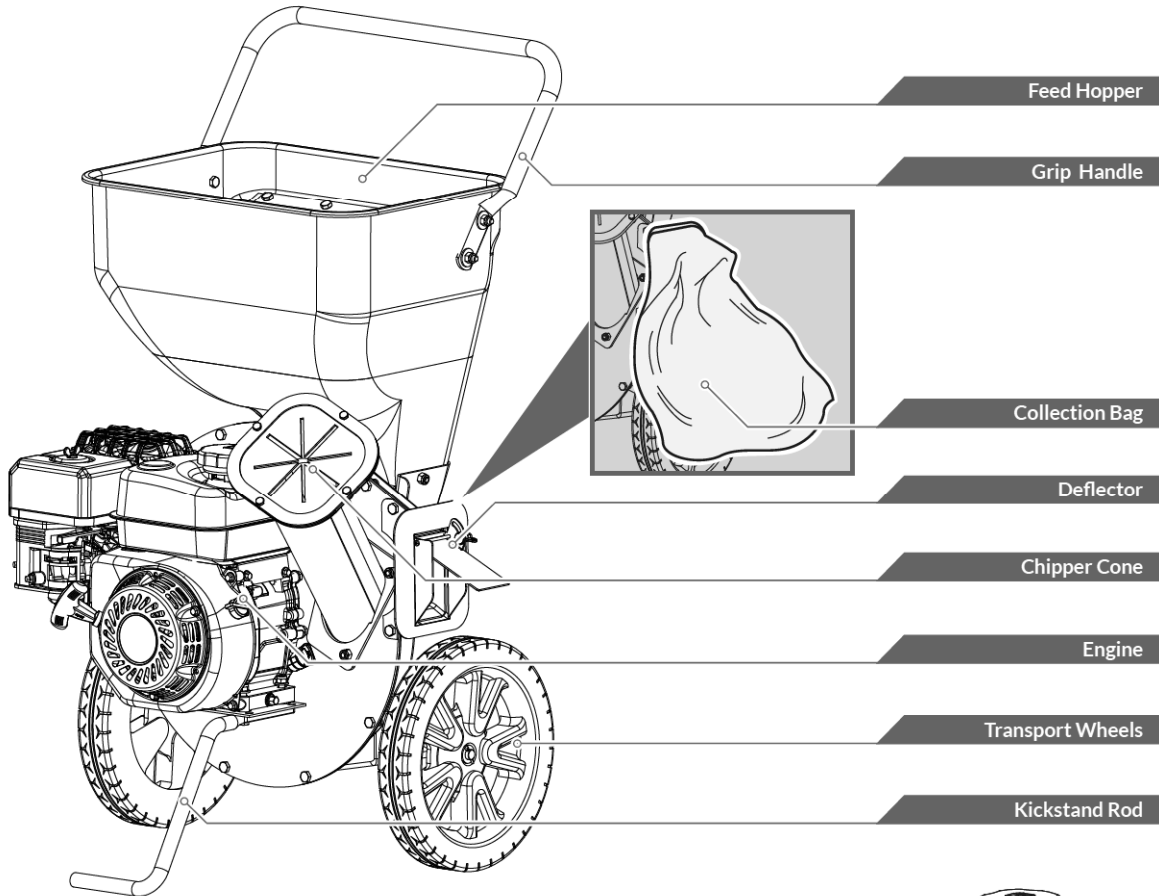


Figure 7

KNOW YOUR MACHINE

FEATURES AND CONTROLS

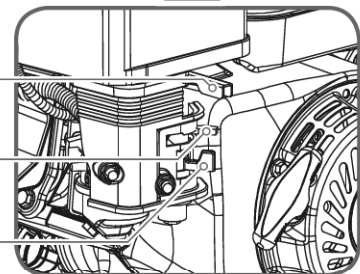
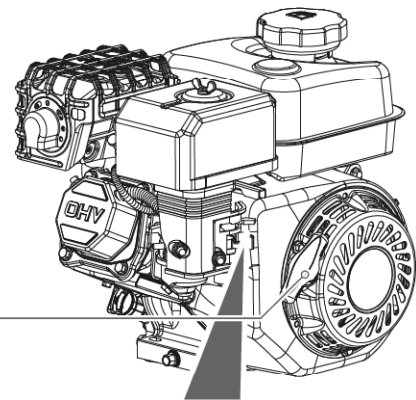


Recoil Starter Handle

Throttle Control

Choke Control

Fuel Shut-Off Valve



FEED HOPPER

- » The Feed Hopper is on top the unit. Always load leaves and other light waste into the hopper opening. Never insert hands into the hopper opening.

CHIPPER CONE

- » The Chipper Cone is located on the front of the unit, and next to the engine. Insert branches and tree limbs no larger than 3" (7.6cm) in diameter into the chipper cone opening. Never insert hands past the cone opening.

COLLECTION BAG

- » The Collection Bag captures all debris discharged from the unit. Do not operate the unit without the collection bag in place.

DEFLECTOR



- » Chipped debris are discharged through the Deflector opening. The deflector can be attached to the chute.

RECOIL STARTER HANDLE



- » The Recoil Starter Handle is used to start the engine.

FUEL SHUT-OFF VALVE



The fuel shut - off has two position.

- » **CLOSED** () - use this position to service, transport, or store the unit.
- » **OPEN** () - use this position to run the unit.

THROTTLE CONTROL

- » The throttle control regulates the speed of the engine, and moves between **FAST** (), **SLOW** (), and **STOP** positions. When the throttle control is moved to the STOP position, the engine will STOP.

CHOKE CONTROL

- » The choke control is used to choke the carburetor and assist in starting the engine. The choke control slides between the **CHOKE CLOSED** () and **CHOKE OPEN** () positions.



DANGER

Never use choke to stop engine.

OPERATION



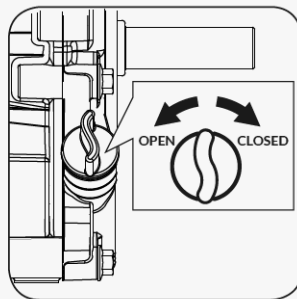
CAUTION

The engine is shipped without oil. Do not start the engine before adding oil.

ADD OIL TO ENGINE

1. Make sure the chipper is on a flat, level surface.

2. Remove the oil fill cap/dipstick to add oil.



3. Using a funnel, add oil up to the **FULL** mark on the dipstick. (See engine manual for oil capacity, oil recommendation, and location of fill cap.)



CAUTION

DO NOT OVERFILL. Check engine oil level daily and add as needed.

ADD GASOLINE TO ENGINE



WARNING

Gasoline is highly flammable and explosive. You can be burned or seriously injured when handling fuel. Use extreme care when handling gasoline.



WARNING

Fill the fuel tank outdoors, never indoors. Gasoline vapors can ignite if they collect inside an enclosure. Explosion can result.

1. The engine must be off and allowed to cool at least two minutes before adding fuel.
2. Remove the fuel filler cap and fill the tank. (See engine manual for fuel capacity, fuel recommendation, and location of fuel cap.)



CAUTION

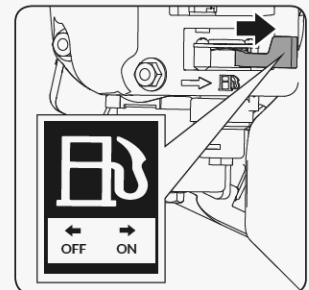
IMPORTANT: DO NOT OVERFILL!

This equipment and/or its engine may include evaporative emissions control system components, required to meet EPA and/or CARB regulations, that will only function properly when the fuel tank has been filled to the recommended level. Overfilling may cause permanent damage to evaporative emissions control system components. Filling to the recommended level ensures a vapor gap required to allow for fuel expansion. Pay close attention while filling the fuel tank to ensure that the recommended fuel level inside the tank is not exceeded. Use a portable gasoline container with an appropriately sized dispensing spout when filling the tank. Do not use a funnel or other device that obstructs the view of the tank filling process.

3. Reinstall the fuel cap and tighten. Always clean up spilled fuel.

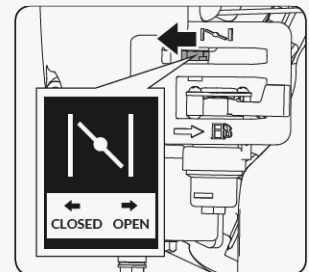
STARTING ENGINE

1. Open the fuel shut-off valve.

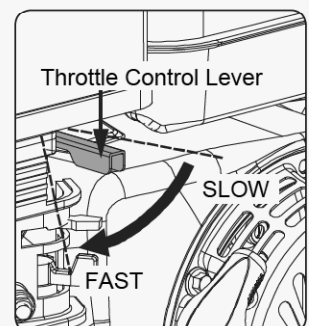


2. Move the choke lever to the **CLOSED** position.

» If the engine is hot, closing the choke is not necessary.



3. Move the throttle control lever slightly forward to about ¼ of the way (slightly toward the fast position).



- Pull the recoil starter until the engine starts. Return the recoil to the home position after each pull. Repeat the steps as needed. Once engine has started, set the throttle to the FAST position before you operate the unit.

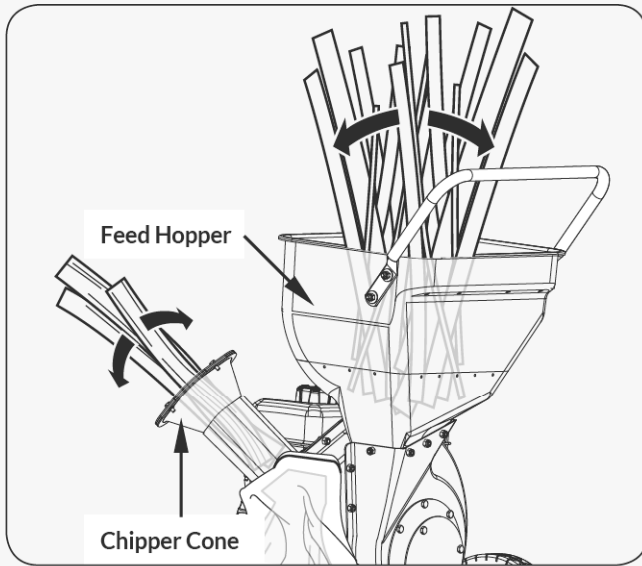
! WARNING *Rapid retraction of the starter cord (kickback) will pull your hand and arm toward the engine faster than you can let go. Broken bones, fractures, bruises, or sprains could result.*

OPERATING

After starting the engine and letting it idle for one minute, slowly move the lever to the fast setting until the engine has accelerated to the highest RPM.

This chipper can process tree limbs, branches, and organic matter (such as corn stalks). Tree branches must be inserted with the large, cut end first into the Chipper Cone Opening. As the unit chips the load, there will be some occasional debris kickback. Always stand away from the unit and allow the self-feeding action pull the load to the cutting disc.

The chipper shredder is designed to break down and shred light brush, leaves, and soft but bulky organic waste. Load this type of material (no larger than ½" in diameter) into the top of the Feed Hopper. The material is then pulled into the cutting chamber by air flow.



! NO HANDS BELOW THIS LINE !

Feed tree limbs or branches with the cut end first into the hopper opening, leaving the brushy head to be chipped last. This helps guide the limb down the feed hopper opening and reduces the chance of cut pieces being tossed back up the hopper opening. Some branches may be required to be pre-cut to provide the a more efficient self-feeding action.

It is recommended to process freshly cut materials, as older

branches get dried out and brittle. Older, dryer branches will dull the cutting knives quicker than freshly cut ones.

While operating the machine, keep a wooden stick handy, approximately 1 inch in diameter by 2 feet long. This stick will be useful to push in short, brushy and very leafy materials and keep the feed hopper clear.

Do not force material into the machine. If it does not chip well, the chipper knives may need sharpening or to be replaced.

Do not overload the machine by filling the hopper opening with too much material at one time. As a load passes through the cutting disc and is discharged, the engine speed may decrease. Allow enough time for the engine to accelerate to the highest RPM before another load is added. In the event of overload condition, stop feeding material into the hopper.

The chipper can clog up with soft, wet, or fibrous materials. However, if you feed soft materials intermittently with branches, there should be no problem, as the chipper tends to clean out any residue left in the machine.

If any stringy material wraps around the rotor shaft, remove it before it works its way into the bearing.

If the chipper stalls from overloading or clogging, turn off the engine's power switch and wait until the cutting disk is completely stopped. Allow the engine to completely cool and switch the engine to off. Open the housing cover to clear and remove all the materials from the housing. Lock the housing cover, switch the engine to the on position, and start the machine again to resume operation.

As the discharge material piles up, move the chipper away from the pile. This will keep the material from backing up the discharge chute. Do not position the deflector vertically, as this will reduce the airflow, impeding the discharge and causing blockage.

! CAUTION *Make sure the machine is level and stable to avoid unnecessary vibrations.*

! CAUTION *Do not operate on concrete or other hard surface.*

! WARNING *Do not open the housing cover unless the engine and cutting disk are completely stopped.*

! WARNING *To shut down the machine, move the lever to idle speed, and it will gradually come to a standstill.*


IDLE SPEED

Set the lever to the SLOW position to reduce stress on the engine when chipping is not being performed. Lowering the engine speed will help extend the life of the engine, as well as conserve fuel and reduce noise level.

STOP ENGINE

To stop the engine, use the following procedure:

1. Move the lever to stop position.
2. Close fuel shut-off valve.



WARNING Sudden stopping at a high speed under a heavy load is not recommended. Engine damage may result.

Wait until the machine completely stops. Allow the engine to completely cool. Remove the engine's spark plug. Then clean out the interior of the machine and its discharge chute.

TRANSPORTING


Your YARDMAX chipper is equipped with two large wheels for easy movement by hand. To move the unit, grip the handles and tilt the chipper slightly after making sure the oil tank cover is tightened.

MAINTENANCE


Maintaining your YARDMAX chipper will ensure long life to the machine and its components.

PREVENTIVE MAINTENANCE

1. Turn off the engine. The engine must be cool.
2. Keep the engine's throttle lever in its SLOW position and remove the spark plug wire from the spark plug and secure.
3. Inspect the general condition of the chipper. Check for loose screws, misalignment or binding of moving parts, cracked or broken parts, and any other condition that may affect its safe operation.
4. Remove all debris from the chipper with a soft brush, vacuum, or compressed air. Then use a premium quality lightweight machine oil to lubricate all moving parts.
5. Replace the spark plug wire.



WARNING Never use a pressure washer to clean your chipper. Water can penetrate tight areas of the unit and cause damage to spindles, pulleys, bearings, or the engine.



CAUTION Shut down the engine, wait for all moving parts to come to a complete stop, remove the spark plug wire, and then wait five minutes before performing maintenance on the chipper.

REGULAR MAINTENANCE CHECKLIST

» The service intervals shown are the maximum under normal operating conditions. Increase frequencies under extremely dirty or dusty conditions.

Procedure	Before each use	Every 8-10 Hours	Every 40 Hours
Check engine oil level	▲		
Check general equipment condition	▲		
Check that cutting disk turns freely (with a long stick only)	▲		
Visually inspect knife for damage	▲		
Check knife for sharpness		▲	
Check knife attachment screws		▲	
Check for any loose nut and bolts		▲	
Change engine oil	1 st time 5 hours		▲
Inspect or replace spark plug			▲
Inspect or replace air filter and precleaner			▲

HAMMER SLICE CHECK

Remove the rotor housing cover and cover plate shown in **Figure 8**. Check the triangle hammer slicer and J-type hammer slicer. If one or both are damaged, replacement is recommended.

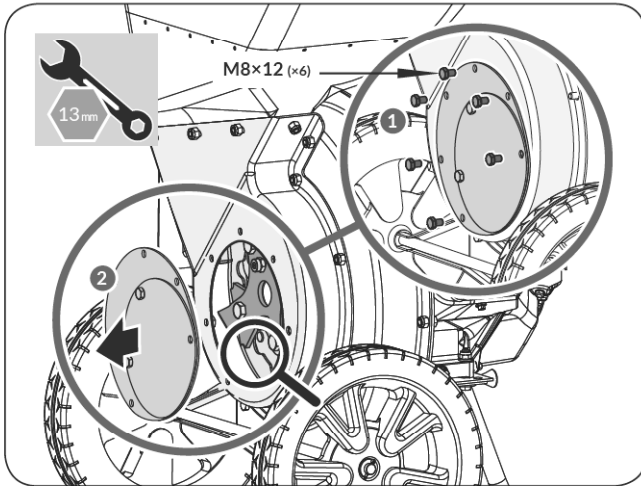


Figure 8

KNIFE CHECK

Remove the chipper cone from the unit and rotate the cutting disc to inspect the sharpness of the knives. (See **Figure 9**)

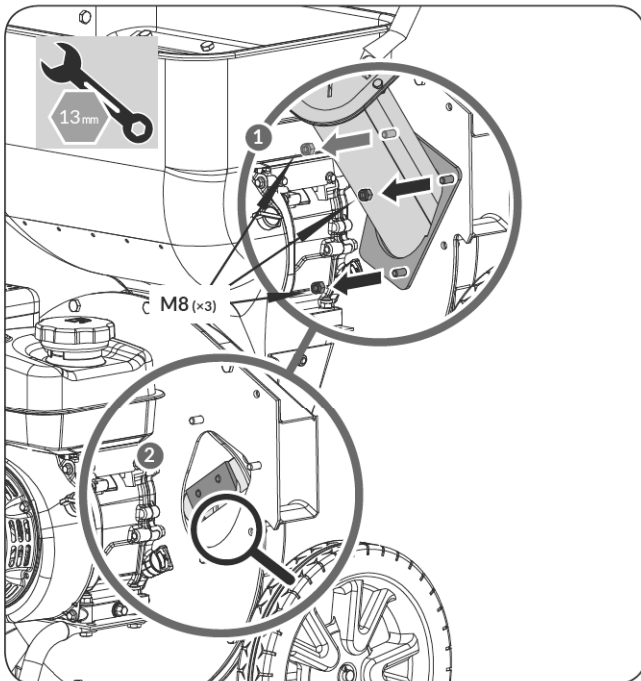


Figure 9

KNIFE INSPECTION

Checking the sharpness of the knives routinely (See **Figure 10**) will keep your chipper operating normally. Using dull knives will decrease performance and cause excessive vibration, which may damage the machine and make chipping difficult.

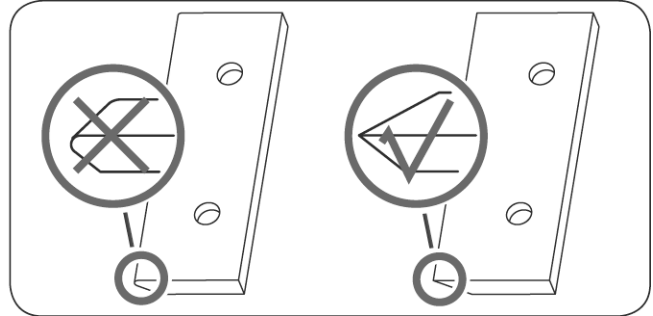


Figure 10

KNIFE REMOVAL AND REPLACEMENT

This chipper is equipped with two chipper knives that are mounted on the cutting disk. When the knives are dulling or show nicks, the machine will lose the self-feeding action. Material will have to be pushed in. Another indication that the knives will need to be inspected is the debris that is discharged will come out in long strips. Below are the instructions to replace the knives.

1. Remove the deflector bracket. (See **Figure 11**)

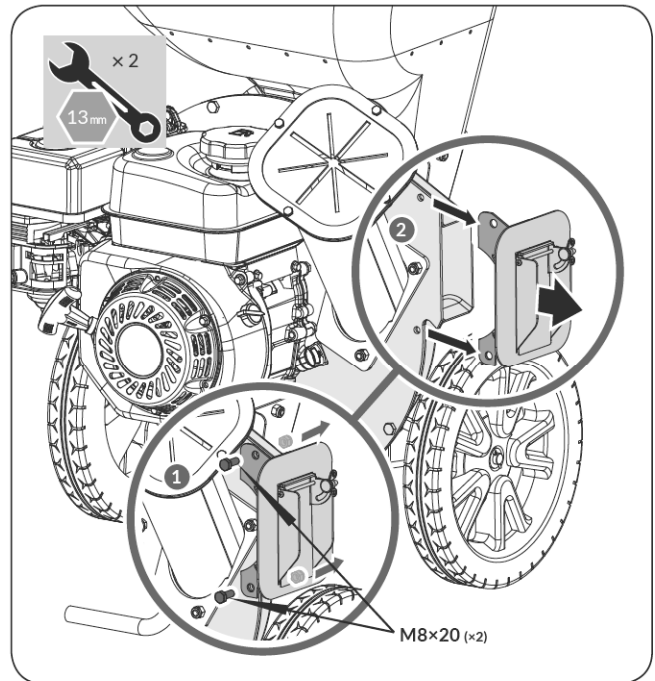


Figure 11

2. Remove the M8x16 bolts and nuts that connect the rotor housing and rotor disc seat. (See **Figure 12**)
3. Put one support block under engine.

- Detach the rotor housing and hopper from the rotor disc seat.

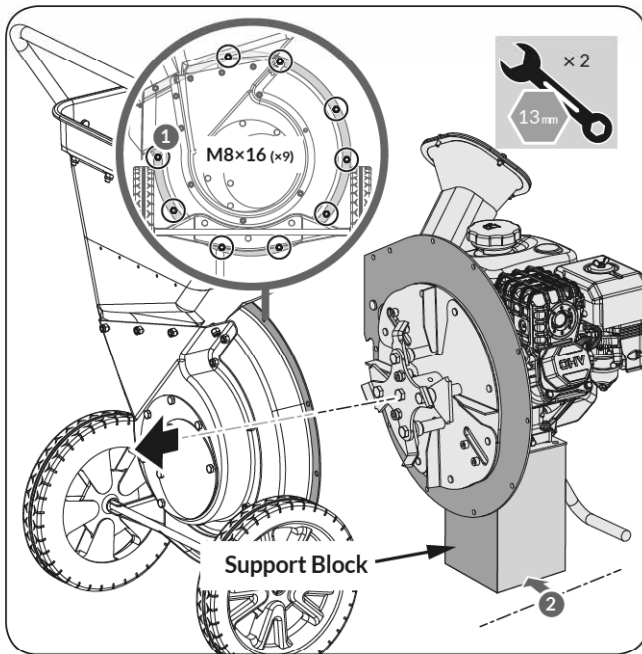


Figure 12

- Using Allen key S4 to remove the two screws on top of engine shaft bushing. (See Figure 13, illustration 1)
- Using Allen key S8 to remove the socket head cap screw fixing the engine shaft. (See Figure 13, illustration 2)

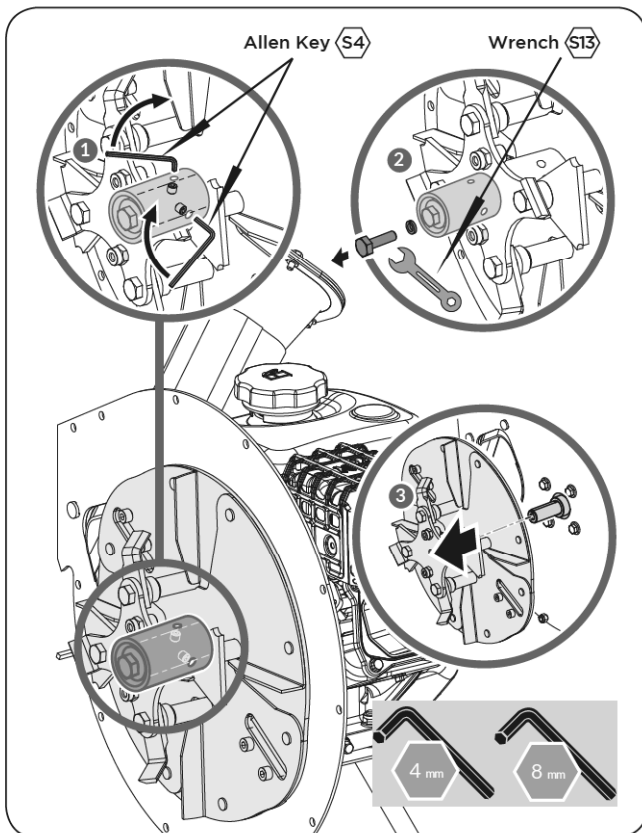


Figure 13

- If the hammer slicers are damaged, remove the four M12x55 bolts that hold the J-type hammer slicer and triangle hammer slicer, and replace. (See Figure 14)

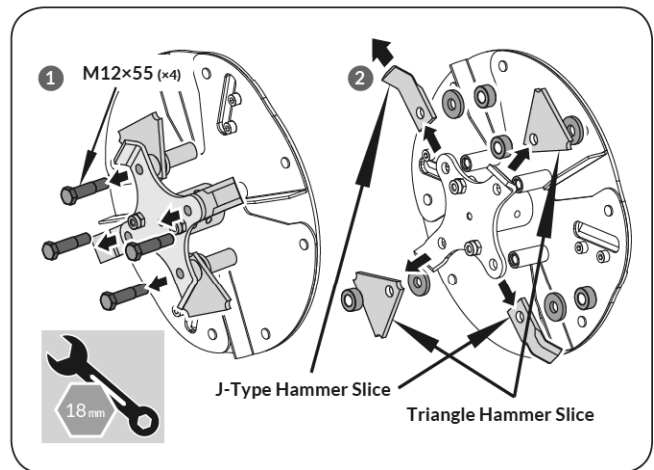


Figure 14

- If knife show signs of wear, replace it. Using the 8mm hex wrench, reach into the main housing and remove the two socket head cap screws and the chipper knife. (See Figure 15)

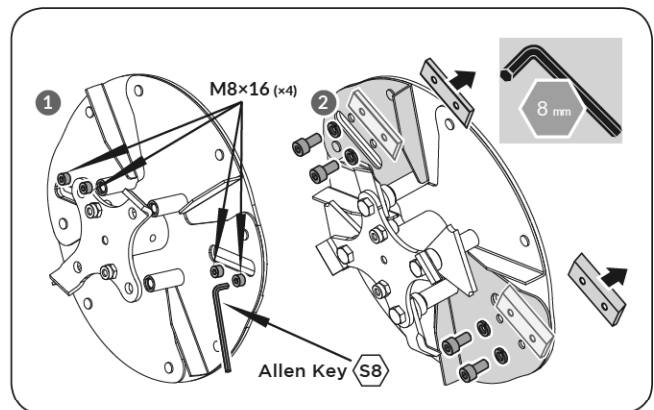


Figure 15



CAUTION

Be careful and wear gloves when working near the knives.



CAUTION

If the cutting disk surface is not cleaned properly and the knives are not mounted flush on the cutting disk, the knives could crack when the hardware is tightened.

KNIFE RESHARPENING

After removal, the knives should be sharpened on a surface grinder. Be careful and wear gloves to protect your hands. It is extremely important to consistently maintain the 38-degree cutting angle for proper performance.

Make sure there is plenty of coolant used during the grinding process, since excessive heat damages the knives and weakens the metal. If you are unable to resharpen the knives your self, take them to a professional machine shop for proper resharpening. Normally only as light touch-up is needed.

ENGINE OIL / FUEL

Refer to the engine manual packed separately with your unit for information on how to check or add oil/fuel and for recommendations.


ENGINE MAINTENANCE

Refer to the engine manual packed separately with your unit for detailed information and a maintenance schedule.


STORAGE

If your chipper will not be used for more than 30 days, follow the steps below to prepare your unit for storage :


1. Drain the fuel tank completely. Stale fuel has high gum content and can clog the carburetor and restrict fuel flow.
2. Start the engine and allow it to run until it stops. This ensures no fuel is left in the carburetor and helps prevent deposits from forming inside, which can damage the engine.
3. Drain the oil from the engine while it is still warm. Refill with fresh oil of the grade recommended in the engine manual.
4. Allow the engine to cool. Remove the spark plug and put 60 ml of SAE-30 high-quality engine oil into the cylinder. Pull the starter rope slowly to distribute the oil. Replace the spark plug.

 **CAUTION** Remove the spark plug and drain all oil from the cylinder before attempting to start the unit after storage.

5. Use clean cloths to clean off the outside of the chipper and to keep the air vents free from obstructions.

 **WARNING** Do not use strong detergents or petroleum based cleaners when cleaning plastic parts. Chemicals can damage plastics.

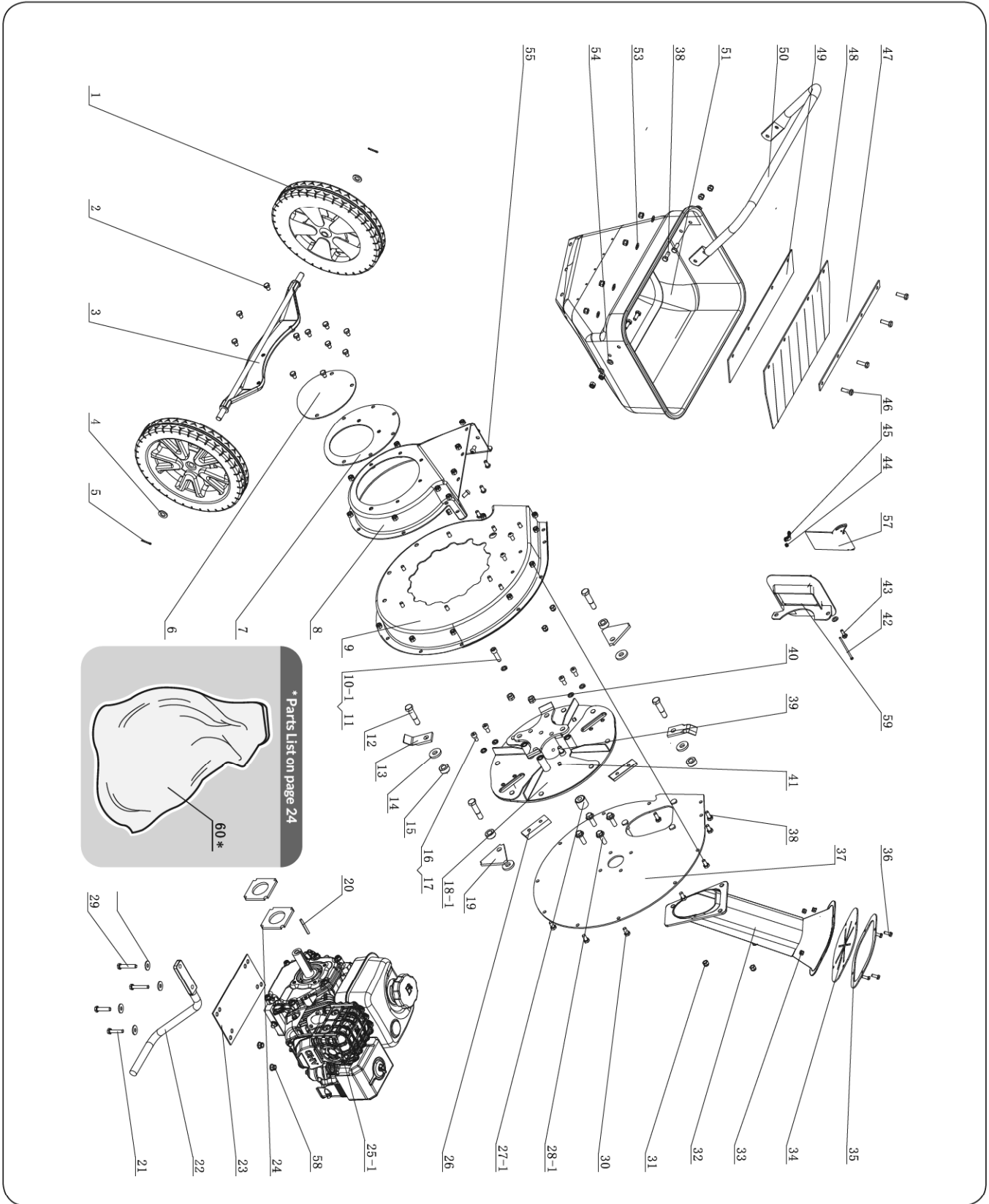
6. Store your chipper in an upright position in a clean, dry building with good ventilation.

 **WARNING** Do not store your chipper with fuel in a non-ventilated area where fuel fumes could reach flames, sparks, pilot lights or any ignition sources.
Use only approved fuel containers.

TROUBLESHOOTING

Problem	Cause	Remedy
Engine fails to start	<ol style="list-style-type: none"> 1. Spark plug wire is disconnected 2. Out of fuel or stale fuel 3. Engine and/or Fuel valve is not in ON position 4. Choke lever is not in CLOSE position 5. Blocked fuel line 6. Fouled spark plug 7. Engine flooding 8. No oil in engine 	<ol style="list-style-type: none"> 1. Attach spark plug wire securely to spark plug 2. Fill with clean, fresh gasoline 3. Engine and Fuel valve must be in ON position 4. Choke level must be in CLOSE position for a cold start 5. Clean fuel line 6. Clean, adjust gap, or replace 7. Wait a few minutes to restart, but do not prime 8. Add engine oil to engine
Engine runs erratically	<ol style="list-style-type: none"> 1. Spark plug wire is loose 2. Unit running with Choke lever in CLOSE position 3. Blocked fuel line or stale fuel 4. Vent plugged 5. Water or dirt in fuel system 6. Dirty air cleaner 7. Improper carburetor adjustment 	<ol style="list-style-type: none"> 1. Connect and tighten spark plug wire 2. Move choke lever to OPEN position 3. Clean fuel line. Fill tank with clean, fresh gasoline 4. Clear vent 5. Drain fuel tank. Refill with fresh fuel 6. Clean or replace air cleaner 7. Refer to engine manual
Engine overheats	<ol style="list-style-type: none"> 1. Engine oil level low 2. Dirty air cleaner 3. Air flow restricted 4. Carburetor not adjusted properly 	<ol style="list-style-type: none"> 1. Fill crankcase with proper oil 2. Clean air cleaner 3. Remove housing and clean 4. Refer to engine manual
Chipping action seems too slow, cutting disk stalls, or no material is discharged when engine is running	<ol style="list-style-type: none"> 1. Engine speed is too slow causing belt to slip 2. Knives are dull or damaged 3. Cutting disk is jammed by debris from the feed hopper and discharge chute 4. Discharge chute is clogged 	<ol style="list-style-type: none"> 1. Run the engine at full throttle 2. Sharpen or replace knives 3. Remove any built-up debris and turn cutting disk with a wooden stick to be sure it turns freely 4. Clean out debris
When chipping, branch seems to vibrate and move about excessively with unusual noise	<ol style="list-style-type: none"> 1. Knives are dull or damaged 2. Knives are not properly seated on the cutting disk 3. Rotor is overloaded with material 	<ol style="list-style-type: none"> 1. Sharpen or replace knives 2. Loosen the knife mounting screws, reset the knives and tighten the screws 3. Allow unit to clear itself before adding more material to the hopper

PARTS DIAGRAM



PARTS LIST

No.	Description	QTY.
1	Wheel	2
2	Bolt M8 × 12	11
3	Wheel Axle	1
4	Washer 14	2
5	Cotter Pin 3.2 × 18	2
6	Rotating Cover Plate	1
7	Rotor Housing Cover	1
8	Rotor Housing	1
9	Fan Housing	1
10-1	Screw 3/8-24UNF × 55	1
11	Spring Washer 10	1
12	Bolt M12 × 55	4
13	J Type Hammer Slicer	2
14	Washer	4
15	Cushion	4
16	Screw M8 × 16	4
17	Spring Washer 8	4
18-1	Rotor Disc 3	1
19	Triangle Hammer Slicer	2
20	Flat Key	1
21	Bolt M8 × 40	2
22	Kickstand Rod	1
23	Engine Mount Plate	1
24	Adapter Plate	2
25-1	Engine	1
26	Chipper Knife	2
27-1	Engine Cushion 3	1
28-1	Bolt M8 × 30	4
29	Bolt M8 × 50	2
30	Bolt M8 × 16	10

No.	Description	QTY.
31	Locknut M8	37
32	Chipper Cone	1
33	Locknut M6	5
34	Rubber Flap	1
35	Top Panel	1
36	Bolt M6x16	4
37	Rotor Disc Seat	1
38	Bolt M8 × 20	4
39	Bolt M10 × 16	2
40	Locknut M10 w/glue	2
41	Screw M8 × 8	2
42	Bolt M4 × 75	1
43	Bolt M6 × 20	1
44	Locknut M4	1
45	Nut M6	1
46	Bolt M8 × 25	4
47	Hopper Guard Retainer	1
48	Hopper Guard	1
49	Hopper Guard Support	1
50	Handle	1
51	Hopper	1
52	Bolt M8 × 20	4
53	Washer 8	4
54	Big Washer 8	4
55	Flat Round Head Screw	7
56	Discontinued	N/A
57	Deflector	1
58	Nut	4
59	Deflector Bracket	1
60*	Collection Bag	1

Tame the Great Outdoors®

