

• • •
MODELS

HS-1300-OWO
HS-1500-OWO
HS-1800-OWO
HS-2000-OWO
HS-1300-OTR
HS-1500-OTR

INFRARED ELECTRICAL HEATER

SAFETY INSTRUCTIONS & OPERATION MANUAL



INTRODUCTION

The Heat Storm all season outdoor heater produces infrared radiant heat, warming people and objects rather than the air between, providing the only form of heat that will not blow away. The Heat Storm's weatherproof design is perfect for worry-free outdoor and industrial use.

Please read the enclosed instructions carefully before installation or use.

IMPORTANT SAFETY INSTRUCTIONS

WARNING: When using electrical appliances, basic safety precautions should always be followed. Failure to comply with these instructions may cause a fire, electrical shocks or other injury to persons or property

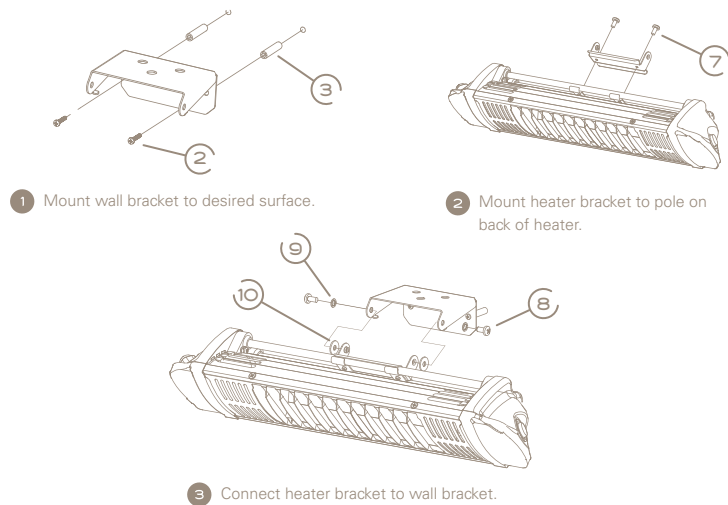
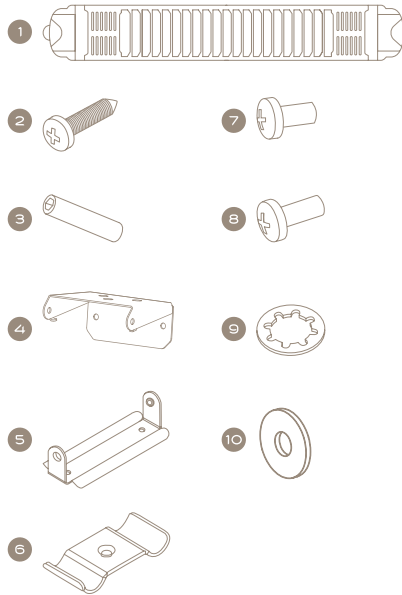
- Read all instructions before using this heater.
- This heater is hot when in use. To avoid burns, do not let bare skin touch hot surfaces. If provided, use handles when moving this heater. Keep combustible materials, such as furniture, pillows, bedding, papers, clothes, and curtains at least 3 feet (0.9m) from the front of the heater and keep them away from the sides and rear.
- Extreme caution is necessary when any heater is used by or near children or invalids and whenever the heater is left operating and unattended.
- Always unplug heater when not in use.
- DO NOT operate any heater with a damaged cord or plug or after the heater malfunctions, has been dropped or damaged in any manner. Return heater to authorized service facility for examination, electrical or mechanical adjustment, or repair.
- Remove product from the packaging and ensure it is in good condition.
- DO NOT let children play with the packaging, for example plastic bags.
- Check that the voltage and frequency of your appliance match your mains voltage before plugging in.
- This heater is hot when in use. To avoid burns DO NOT touch the grills or heating element during use or attempt to move the heater.
- DO NOT touch the heater with wet hands
- DO NOT operate any heater with a damaged cable or plug, or after the heater malfunctions, has been dropped, or damaged in any manner. Return the heater to an authorized service facility for examination and repair.
- DO NOT attempt to repair or adjust any electrical or mechanical functions as this may void warranty.
- DO NOT insert or allow objects to touch the heating element and never place anything on the heater safety guard (e.g. towels), as this may damage the heater and could cause

an electrical shock or fire. Never use your heater to dry washing.

- If the heating element has stopped glowing it may still be live, please check that the heat setting indicates the heater is off. Always disconnect your appliance from the mains before any cleaning or replacing tubes.
- DO NOT use the heater in areas where petrol, paint, or other flammable substances are stored.
- Always unplug the heater when not in use. To disconnect from the power supply, grip the plug and pull from the power socket. Never pull by the cable.
- DO NOT direct the heater towards curtains, furniture or other flammable objects and ensure that there is a minimum distance from objects around (see figure 1, figure 2).
- DO NOT use this heater in conjunction with a timer device or any other device, which facilitates unattended switch on.
- DO NOT pull the power cable or the device itself to unplug it from the socket; pull the plug directly.
- The power cable must be fully unwound before use.
- If the supply cable is damaged, it must be replaced by the manufacture, its service agent or similarly qualified person in order to avoid a hazard.
- This product is not designed for use by persons (including children) who have reduced physical, sensory or mental capacities or persons with no experience or knowledge, unless they are instructed and supervised in the use of the appliance by a person responsible for their safety.
- Children should be supervised to ensure that they DO NOT play with appliance.
- This heater must be mounted in a high position which is not less than 72 inches (1.8m) for U.S market and 98 inches (2.4m) for Canada market from the floor. And must keep a minimum clearance to adjacent combustibles: from top: 24 inches (0.6m), from sides: 18 inches (0.45m).
- This heater is not intended for use in bathrooms, laundry areas and similar indoor locations. Never locate heater where it may fall into a bathtub or other water container.
- DO NOT run cord under carpeting - DO NOT cover cord with throw rugs, runners, or the like. Arrange cord away from traffic area and where it will not be tripped over
- To disconnect heater, turn controls off, then remove plug from outlet.
- Connect to properly grounded outlets only.
- DO NOT insert or allow foreign objects to enter any ventilation or exhaust opening as this may cause an electric shock or fire, or damage the heater.
- To prevent a possible fire, do not block air intakes or exhaust in any manner. DO NOT use on soft surfaces, like a bed, where openings may become blocked.
- A heater has hot and arcing or sparking parts inside. DO NOT use it in areas where gasoline, paint, or flammable liquids are used or stored.
- Use this heater only as described in this manual. Any other use not recommended by the manufacturer may cause fire, electric shock, or injury to persons.
- Avoid the use of an extension cord because the extension cord may overheat and cause a risk of fire. However, if you have to use an extension cord, the cord shall be No.16 AWG minimum size and rated not less than 1500 watts.
- Make sure the heater is supplied by the branch-circuit fitted with one 20 amperes over current protection.
- KEEP THESE INSTRUCTIONS.

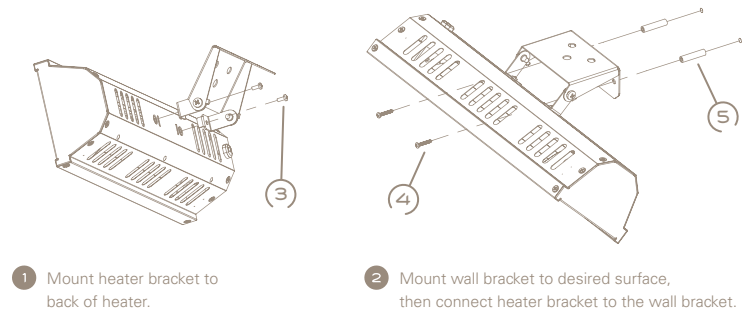
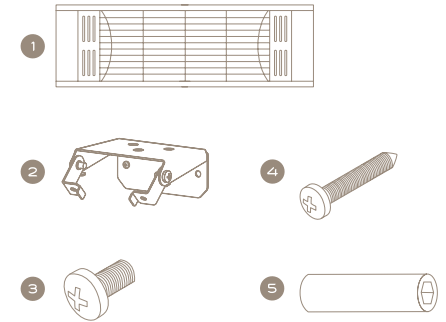
WORKSPACE

- 1 Heater (x1)
- 2 Self Tapping Screw (x2)
- 3 Plastic Plug (x2)
- 4 Wall Bracket (x1)
- 5 Heater Bracket (x1)
- 6 Heater Bracket Plate (x2)
- 7 M4 Screw (x2)
- 8 M6 Screw (x2)
- 9 Spring Washer (x2)
- 10 Rubber Washer (x2)



TRADESMAN

- 1 Heater (x1)
- 2 Wall Bracket Assembly (x1)
- 3 M4x8 Screw (x2)
- 4 Self Tapping Screw (x2)
- 5 Plastic Plug (x2)



INSTALLATION

PRECAUTION:

- Installation should always be carried out by a qualified electrician or a competent person
- The energy supply must be done through a properly grounded socket.
- The heaters should always be installed horizontally and should always only use the mounting brackets or chains provided.
- The heater should not be facing the ceiling or inflammable substances.
- The heater must be installed so as to prevent that the switches can be touched from those who are in the shower.
- Do not use the heater directly near a bathtub, a shower, a swimming pool.
- Ensure that there is no possibility of inflammable material coming into contact with the heater, or lies near the heater.
- Heaters should not be installed in areas where hazardous vapors may be present. Defined in BS5345.
- The heaters are fitted with safety guards. These are intended only to stop large objects from hitting the emitters. On no account should the heater be operated with the guard removed.

WALL MOUNTING

ONLY USE SUPPLIED BRACKETS.

- 1 Ensure the power cable does not touch the reflector of the heater or hangs into the heated area.
- 2 Ensure the power cable can reach an indoor socket. Do not twist or bend the power cable.
- 3 This heater is IP65 protection, and can be used indoors or outdoors. If using outdoors and you need a extend socket, the cable and the socket system must be waterproof.

OPERATING INSTRUCTION

WARNING:

- Do not use the heater directly near a bathtub, a shower or a swimming pool.
- Never plug the appliance into the socket with wet hands

WORKSPACE

- 1 Before plugging in heater, turn switch to off position.
- 2 Firmly plug power cord into a socket.
- 3 Turn on /off with heater switch.

TRADESMAN

- 1 Turn on heater by firmly plugging in the power cord.
- 2 Turn off heater by unplugging power cord.

CLEANING & MAINTENANCE

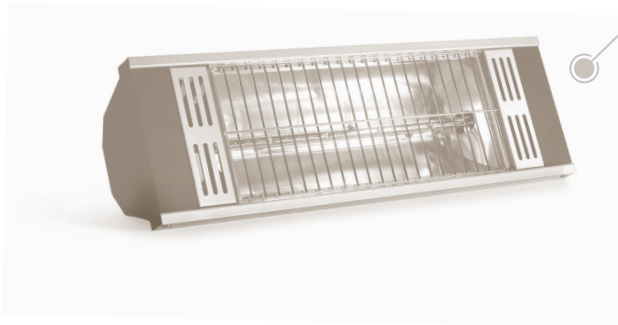
WARNING:

- Before cleaning, unplug from the power supply and wait a few minutes to cool down.
- This heater contains no moving parts, it needs very little maintenance. However, when the heater builds up heavy dirt, use a soft cloth to wipe it off.

HEATING ELEMENT REPLACEMENT:

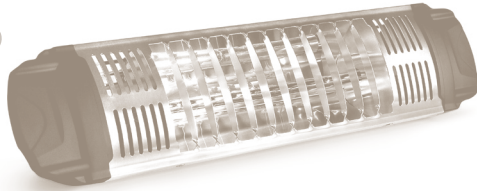
- If the heating element malfunctions and needs to be replaced, it should only be changed by a service agent.

MODEL IMAGES



MODEL
TRADESMAN

MODEL
WORKSPACE



CUSTOMER SERVICE



Repairs must be carried out by authorized specialists to ensure electrical safety. Please contact the service agent or a suitably qualified electrician.

Improper repairs could lead to danger. The warranty does not cover damage or failure that results from alteration, accident, misuse, abuse, neglect or improper maintenance.

Due to ongoing product development we reserve the right to change the product specifications and documentation without notice.

For more information: ENERGYWISE SOLUTIONS
PO BOX 4681
LOGAN, UT 84323
877 891 7333
heatstorm.com

PLEASE RECYCLE
Electric Products should not be disposed of with household waste.
Check with your local authority or retailer for recycling advice.





ENERGYWISE SOLUTIONS
PO BOX 4681
LOGAN, UT 84323
877 891 7333

heatstorm.com

