

greenworks

GPW2000-1RG

EN PRESSURE WASHER

OPERATOR MANUAL

ES LAVADORA A PRESIÓN

MANUAL DEL OPERADOR



PWA201

www.greenworkstools.com

1	Description.....	4	3.5	Install the upper handle.....	7
1.1	Purpose.....	4	3.6	Install the spray gun holder.....	8
1.2	Product overview.....	4	3.7	Install the power cord storage arm.....	8
2	General power tool safety warnings.....	4	3.8	Install the high pressure hose.....	8
2.1	General power tool safety warnings.....	4	4	Operation.....	8
2.2	Electrical safety warnings.....	4	4.1	Connect the water supply to the machine	8
2.3	Pressure washer safety warnings.....	5	4.2	Use the spray gun.....	9
2.4	Ground fault circuit interrupter protection.....	5	4.3	Change the nozzle.....	9
2.5	Servicing of a double-insulated appliance.....	5	4.4	Start the machine.....	10
2.6	Extension cords.....	5	4.5	Stop the machine.....	10
2.7	Child safety.....	5	5	Maintenance.....	10
2.8	Symbols on the product.....	5	5.1	Nozzle maintenance.....	10
2.9	Risk levels.....	6	6	Transportation and storage.....	11
2.10	Proposition 65.....	6	6.1	Move the machine.....	11
3	Installation.....	6	6.2	Store the machine.....	11
3.1	Electrical connection.....	6	7	Troubleshooting.....	11
3.2	Unpack the machine.....	7	8	Technical data.....	12
3.3	Install the spray wand.....	7	9	Limited warranty.....	13
3.4	Install the wheels.....	7	10	Exploded view.....	14

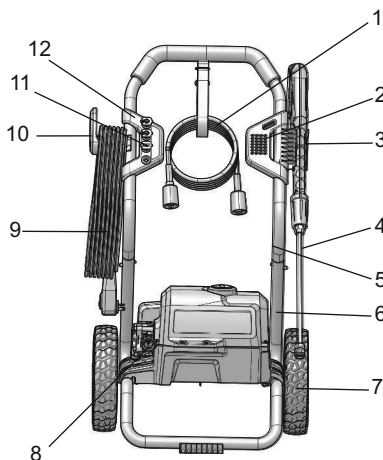
1 DESCRIPTION

1.1 PURPOSE

The machine is used to clean vehicles, boats, buildings, porches, decks, patios, and driveways.

For residential use only, not for professional use, and for operation at temperature above 32°F (0°C).

1.2 PRODUCT OVERVIEW



1	High pressure hose	7	Wheel
2	Spray gun holder	8	Water inlet
3	Spray gun	9	Power cord
4	Spray wand	10	Cord retainer
5	Upper handle	11	Spray tip
6	Lower handle	12	Front panel

2 GENERAL POWER TOOL SAFETY WARNINGS

▲ WARNING

When using this product basic precautions should always be followed, including the following:

Save all warnings and instructions for future reference.

The term “power tool” in the warnings refers to your mains-operated (corded) power tool.

2.1 GENERAL POWER TOOL SAFETY WARNINGS

- The machine is not intended for use by persons (including children) with reduced physical, sensory or mental capabilities, or lack of experience and knowledge, unless they have been given supervision or instruction

concerning use of the machine by a person responsible for their safety. Children should be supervised to ensure that they do not play with the machine.

- Learn the machine's applications and limitations as well as the specified potential hazards related to this tool by studying this manual.
- Never operate the machine with any guard or cover removed or damaged.
- Do not operate the product while under the influence of drugs, alcohol, or any medication.
- Do not wear loose clothing, gloves, neckties, or jewelry. They can get caught and draw you into moving parts.
- Rubber gloves and non-skid footwear are recommended when working outdoors. Also wear protective hair covering to contain long hair. Wear footwear that will protect your feet and improve your grip on slippery surfaces.
- Don't overreach or stand on unstable support. Keep proper footing and balance at all times.
- Check the work area before each use. Remove all objects such as rocks, broken glass, nails, wire, or string which can be thrown or become entangled in the machine.
- Avoid dangerous environments. Don't expose to rain. Keep work area well lit.
- Before starting any cleaning operation, close doors and windows. Clear the area to be cleaned of debris, toys, outdoor furniture, or other objects that could create a hazard.
- Don't use the appliance within range of persons unless they wear protective clothing.

2.2 ELECTRICAL SAFETY WARNINGS

- Disconnect from the electrical power supply before carrying out user maintenance.
- Use only extension cords that have watertight connections and are intended for outdoor use. Use only extension cords having an electrical rating not less than the rating of the product. Examine extension cord before using and replace if damaged. Do not abuse extension cord and do not pull on any cord to disconnect. Keep cord away from heat and sharp edges. Always disconnect the extension cord from the receptacle before disconnecting the product from the extension cord.
- Do not use the machine if a supply cord or important parts of the appliance are damaged, e.g. safety devices, high pressure hoses, trigger gun.
- Inadequate extension cords can be dangerous.
- To reduce the risk of electrocution, keep all connections dry and off the ground. Do not touch plug with wet hands.
- Do not abuse the cord. Never use the cord to carry the product or to disconnect the plug from an outlet. Keep cord away from heat, oil, sharp edges, or moving parts. Replace damaged cords immediately. Damaged cords increase the risk of electric shock.

- Inspect extension cords periodically and replace if damaged. Keep handles dry, clean, and free from oil or grease.

2.3 PRESSURE WASHER SAFETY WARNINGS

- Read all the instructions before using the product.
- To reduce the risk of injury, close supervision is necessary when a product is used near children.
- Know how to stop the product and bleed unit pressure quickly. Be thoroughly familiar with the controls.
- Stay alert – watch what you are doing.
- Do not operate the product when fatigued or under the influence of alcohol or drugs.
- Keep operating area clear of all persons.
- Do not overreach or stand on unstable support. Keep good footing and balance at all times.
- Follow the maintenance instructions specified in the manual.
- This product is provided with a ground fault circuit interrupter built into the power cord plug. If replacement of the plug or cord is needed, use only identical replacement parts.
- Risk of injection or injury– Do not direct discharge stream at persons.
- Keep the motor away from flammables and other hazardous materials.
- Keep product dry, clean, and free from oil and grease. Always use a clean cloth when cleaning. Never use brake fluids, gasoline, petroleum-based products, or any solvents to clean product.

▲ WARNING

To reduce the risk of electrocution, keep all connections dry and off the ground. Do not touch plug with wet hands.

2.4 GROUND FAULT CIRCUIT INTERRUPTER PROTECTION

This pressure washer is provided with a ground-fault circuit-interrupter (GFCI) built into the plug of the power-supply cord. This device provides additional protection from the risk of electric shock. Should replacement of the plug or cord become necessary, use only identical replacement parts that include GFCI protection.

2.5 SERVICING OF A DOUBLE-INSULATED APPLIANCE

- Within a double-insulated product, two systems of insulation are provided instead of grounding. No grounding means is provided on a double-insulated product, nor should a means for grounding be added to the product. Servicing a double-insulated product requires extreme care and knowledge of the system, and should be done only by qualified service personnel. Replacement parts for a double-insulated product must be identical to

the parts they replace. A doubleinsulated product is marked with the words “DOUBLE INSULATION” or “DOUBLE INSULATED.”

2.6 EXTENSION CORDS

- Use only extension cords that are intended for outdoor use. These extension cords are identified by a marking “Acceptable for use with outdoor appliances; store indoors while not in use.” Use only extension cords having an electrical rating not less than the rating of the product. Do not use damaged extension cords. Examine extension cord before using and replace if damaged. Do not abuse extension cord and do not yank on any cord to disconnect. Keep cord away from heat and sharp edges. Always disconnect the extension cord from the receptacle before disconnecting the product from the extension cord.




2.7 CHILD SAFETY


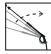






Tragic accidents can occur if the operator is not aware of the presence of children.

- Keep children out of the working area and under the watchful care of a responsible adult.
- Do not allow children under the age of 14 to operate this machine. Children who are 14 years of age and older must read and understand the operating instructions and safety rules in this manual and must be trained and supervised by a parent.
- Stay alert, and turn the machine off if a child or any other person enters the working area.
- Use extreme care when approaching blind corners, doorways, shrubs, trees, or other objects that may obscure your view of a child who may run into the path of the machine.

2.8 SYMBOLS ON THE PRODUCT




Some of the following symbols may be used on this tool. Please study them and learn their meaning. Proper interpretation of these symbols will allow you to operate the tool better and safer.

Symbol	Explanation
	To reduce the risk of injury, user must read and understand operator’s manual before using this product.
	Do not expose the product to rain or moist conditions.
	Always wear safety goggles or safety glasses with side shields and, as necessary, a full face shield when operating this product.

Symbol	Explanation
	To reduce the risk of injection or injury, never direct a water stream towards people or pets or place any body part in the stream. Leaking hoses and fittings are also capable of causing injection injury. Do not hold hoses or fittings.
	To reduce the risk of injury from kickback, hold the spray lance securely with both hands when the machine is on.
	Failure to use in dry conditions and to observe safe practices can result in electric shock.
	Fuel and its vapors are explosive and can cause severe burns or death.
	Warning! Never point the gun to human, animals, the machine body, power supply or any electric appliances.
	Appliance not suitable for connection to the drinking water mains without backflow preventer.
	Only use cleaning deck on flat, horizontal surfaces. Never lift cleaning deck from the cleaning surface while operating the pressure washer.
	Keep hands and feet away from the cleaning deck while the pressure washer is running.

2.9 RISK LEVELS

The following signal words and meanings are intended to explain the levels of risk associated with this product.

SYMBOL	SIGNAL	MEANING
	DANGER	Indicates an imminently hazardous situation, which, if not avoided, will result in death or serious injury.
	WARNING	Indicates a potentially hazardous situation, which, if not avoided, could result in death or serious injury.
	CAUTION	Indicates a potentially hazardous situation, which, if not avoided, may result in minor or moderate injury.

SYMBOL	SIGNAL	MEANING
	CAUTION	(Without Safety Alert Symbol) Indicates a situation that may result in property damage.

2.10 PROPOSITION 65

▲ WARNING

This product contains a chemical known to the state of California to cause cancer, birth defects or other reproductive harm. Some dust created by power sanding, sawing, grinding, drilling, and other construction activities contains chemicals known to cause cancer, birth defects or other reproductive harm. Some examples of these chemicals are:

- Lead from lead-based paints;
- Crystalline silica from bricks and cement and other masonry products;
- Arsenic and chromium from chemically treated lumber.

Your risk of exposure to these chemicals varies depending on how often you do this type of work. To reduce your exposure to these chemicals, work in a well-ventilated area, and work with approved safety equipment, such as dust masks that are specially designed to filter out microscopic particles.

Save these instructions.

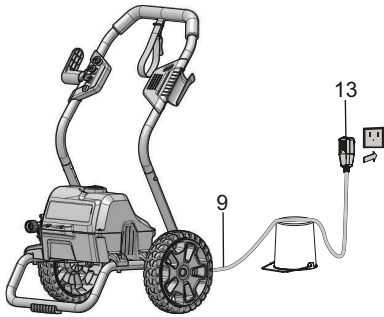
3 INSTALLATION

3.1 ELECTRICAL CONNECTION

This machine has a precisely built electrical motor. It should be connected to a power supply that is 120V, 60 Hz, AC only (household). Do not operate this machine on direct current (DC). A considerable voltage drop will cause a loss of power and the motor will be overheated.

3.1.1 PREPARE A DRIP LOOP

Recommend the use of a drip loop (13) as below so the water can not run along the power cord (9) even possibly reach the electrical outlet and plug.



▲ WARNING

Keep the extension cord clear of the working area. Position the cord so that it will not get caught on lumber, tools, or other obstructions while you are working with a power tool. Failure to do so can result in serious personal injury.

3.2 UNPACK THE MACHINE

▲ WARNING

Make sure that you correctly assemble the machine before use.

▲ WARNING

- If parts of the machine are damaged, do not use the machine.
- If you do not have all the parts, do not operate the machine.
- If parts are damaged or missing, contact the service center.

1. Open the package.
2. Read the documentation provided in the box.
3. Remove all the unassembled parts from the box.
4. Remove the machine from the box.
5. Discard the box and packing material in compliance with local regulations.

3.3 INSTALL THE SPRAY WAND

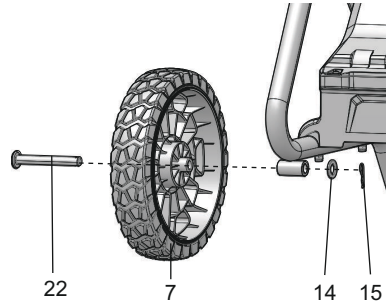


1. Push the end of the spray wand (4) into the gun handle (2).
2. Turn the spray wand (4) clockwise until the tabs lock into position.

▲ WARNING

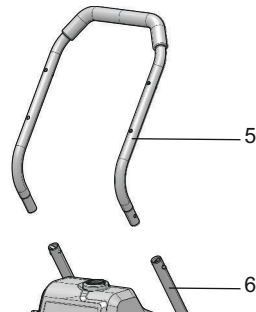
Make sure that the connection has no leakage.

3.4 INSTALL THE WHEELS



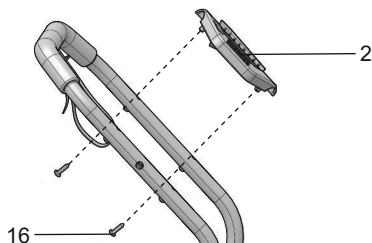
1. Insert axle (22) through the wheel (7) and handle frame.
2. Attach a washer (14) to the axle.
3. Insert cotter pin (15) through the hole of the axle.

3.5 INSTALL THE UPPER HANDLE



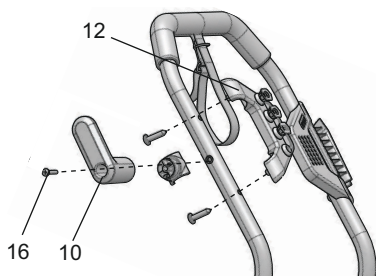
1. Push and hold the handle lock buttons on the upper handle (5).
2. Move the upper handle (5) into the lower handle (6) until the handle lock button clicks through the hole.

3.6 INSTALL THE SPRAY GUN HOLDER



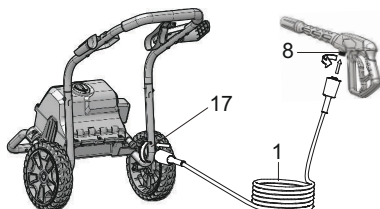
1. Align the screw sleeves of the spray gun holder (2) with the screw holes on the upper handle (5).
2. Push the screws (16) through the screw sleeves and tighten them with a Phillips Head Screwdriver (not included).

3.7 INSTALL THE POWER CORD STORAGE ARM



1. Attach the power cord storage arm (12) onto the fixture.
2. Align the screw (16) with the hole in the power cord storage arm (12).
3. Push the screw (16) through and tighten it.

3.8 INSTALL THE HIGH PRESSURE HOSE



1. Pull on the end of the hose retainer to release the high pressure hose (1).
2. Push and turn clockwise one end of the high pressure hose (1) into the inlet coupler (8).

3. Install and tighten the other end of the high pressure hose (1) onto the water outlet (17).

4 OPERATION

▲ WARNING

Make sure that all the connections are tight and have no leakage before operation.

4.1 CONNECT THE WATER SUPPLY TO THE MACHINE

For easy operation, please use a self-coiling garden hose (not provided).

▲ WARNING

When you operate the self-coiling hose, make sure that the hose has no blockage.

▲ WARNING

- The water supply must come from the water main
- Do not use hot water
- Do not use water from ponds or lakes

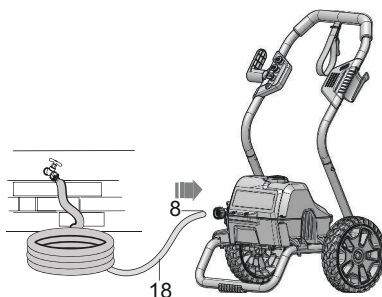
▲ WARNING

Do the local regulations when you connect the garden hose to the water supply. Direct connection through a receiver tank or backflow preventer is usually permitted.

▲ CAUTION

Inspect the filter in the water inlet connector before you connect the garden hose

- If the filter is damaged, do not use the machine until the filter is replaced.
- If the filter is dirty, clean the filter.



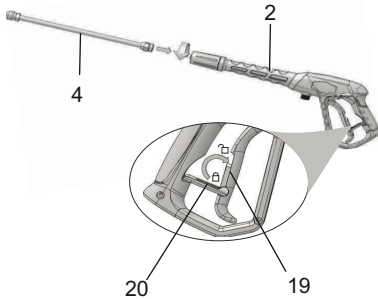
1. Uncoil the garden hose (18).
2. Let the water flow through the garden hose for 30 seconds.
3. Turn the water supply off.

4. Install and tighten the end of the garden hose (18) to the water inlet connector (8).

▲ CAUTION

There must be a minimum of 10 ft of free hose between the water inlet and the water supply.

4.2 USE THE SPRAY GUN



▲ WARNING

For safe control, keep your hands on the gun at all times.

- Pull and hold the spray gun trigger (19) to start the machine.
- Release the spray gun trigger (19) to stop water flow through the nozzle (11).

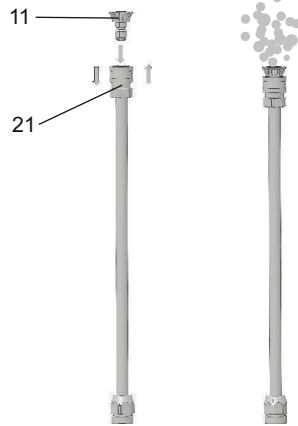
4.2.1 UNLOCK THE SPRAY GUN TRIGGER

- Push backward the trigger safety button (20).

4.2.2 LOCK THE SPRAY GUN TRIGGER

- Push forward the trigger safety button (20).

4.3 CHANGE THE NOZZLE



▲ WARNING

Before you change the nozzle:


1. Pull the gun trigger to release water pressure.
2. Lock the trigger safety button on the gun.
3. Stop the machine.

▲ WARNING

Do not point the spray wand at your face or others'.

4.3.1 NOZZLE TYPE

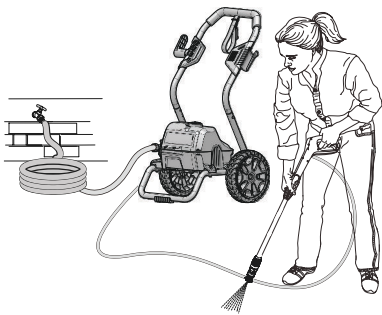
SPRAY TIP	APPLICATION
	<p>Green - Narrow fan tip (25°)</p> <ul style="list-style-type: none"> • The green pressure washer tip provides high versatility with its 25 degree angle tip. Referred to as the washing tip, because it provides adequate pressure to remove dirt from surfaces, but is designed to not damage many surfaces. This pressure washer tip is designed for “sweeping” foliage or debris given its wide angle. This tip is versatile due to its wide area of cleaning and strong pressure application.
	<p>White - Wide fan tip (40°)</p> <ul style="list-style-type: none"> • The white 40 degree tip, referred to as the “fan” tip creates the widest area of cleaning with relatively low pressure. This pressure washer tip is best used for light or delicate cleaning applications. It is recommended for light cleaning on wood decks and other soft or delicate surfaces.

SPRAY TIP	APPLICATION
 SOAP	Black - Soap spray tip <ul style="list-style-type: none"> The black soap spray tip, is used for soap application. Soap is applied under low pressure high volume for optimum performance. Soap cannot be applied under high pressure with this machine.

4.3.2 INSTALL THE NOZZLE

- Pull back the quick-connect collar (21) on the spray wand (4).
- Install the nozzle (11) onto the spray wand (4).
- Release the quick-connect collar (21) to attach the nozzle (11).

4.4 START THE MACHINE



▲ CAUTION

Do not operate without the water supply connected.

▲ CAUTION

Before you start the machine:

- Turn the water supply on.
- Pull the gun trigger to release air pressure.
- If a stable stream of water comes out from the gun, release the gun trigger.

- Connect the machine to the power supply.
- Set the power switch to the "ON" (I) position.
- Turn the water supply on.
- Pull the gun trigger.

4.5 STOP THE MACHINE

- Release the spray gun trigger.
- Press down on the ON/OFF switch, once again, to set the power switch to the "OFF" (O) position.

▲ WARNING

If you do not use the machine :

- Stop the machine.
- Turn the water supply off.
- Disconnect the power cord from the outlet.
- Pull the spray gun trigger to release the remaining pressure from the machine.
- Engage the trigger safety lock-out on the spray gun.

5 MAINTENANCE

▲ WARNING

Before maintenance, make sure that you

- Stop the machine.
- Wait until all the moving parts stop.
- Disconnect the plug from the power source.

▲ WARNING

Do not use strong solvents or detergents on the plastic housing or components.

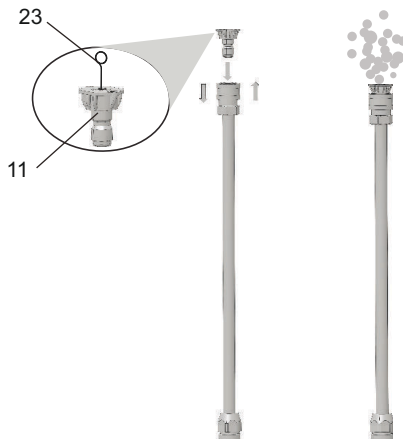
▲ WARNING

Do not let brake fluids, gasoline, petroleum-based materials touch the plastic parts. Chemicals can cause damage to the plastic, and make the plastic unserviceable.

▲ WARNING

Replace the power cord by an approved service center.

5.1 NOZZLE MAINTENANCE



If there is too much pump pressure, the nozzle can become clogged, you can feel a pulsing sensation while you pull the gun trigger.

5.1.1 REMOVE THE NOZZLE

1. Pull back the quick-connect collar (21) on the spray gun wand (4).
2. Remove the nozzle (11) from the spray gun wand (4).

5.1.2 CLEAN THE NOZZLE

1. Use a straight paper clip or cleaning tool (23) to clean the spray tip (11).
2. Flush and clean the unwanted materials out of the nozzle (11) with the garden hose (18).
3. Install the clean nozzle (11) onto the spray wand (4).

6 TRANSPORTATION AND STORAGE

▲ WARNING

Disconnect the power cord and water supply hose before transportation and storage.

6.1 MOVE THE MACHINE

- Point the spray wand in a safe direction.
- Only hold the machine with the handgrip.

6.2 STORE THE MACHINE

▲ WARNING

Make sure that the spray gun, the high pressure hose and the pump are dry.

▲ WARNING

Make sure the machine is out of the reach of children.

i NOTE

Use a recommended pump protector to prevent cold weather damage during storage in winter.

- Disconnect the garden hose from machine.
- Wind the power cord and the high pressure hose.
- Clean housing and the plastic components with a moist and soft cloth.
- Make sure that the machine does not have loose or damaged parts. If it is necessary, follow these steps/instructions:
 - Replace the damaged parts.
 - Tighten the bolts.
 - If needed, call the customer service phone number (enter number here) for servicing instructions.
- Store the machine in a dry, isolated and frost-free area.


7 TROUBLESHOOTING

PROBLEM	POSSIBLE CAUSE	SOLUTION
The motor does not start.	The power switch is off.	Set the power switch to the "ON" (I) position.
	You do not plug the power cord.	Connect the power cord to the power supply.
	Electrical outlet does not supply sufficient power.	Try another electrical outlet.
	The circuit breaker is tripped.	Let it cool, and start the machine again.
	The power switch is on, but you do not pull the gun trigger.	Pull the gun trigger.
The machine does not get high pressure.	The diameter of garden hose is too small.	Replace with a 1" (25 mm) or 5/8" (16 mm) garden hose.
	The garden hose is blocked.	Make sure that the garden hose is free from blockage.
	The water supply is not sufficient.	Open the water supply fully.
	You do not install the nozzle onto the spray wand.	Install the nozzle onto the spray wand.
	The water intake filter is blocked.	Remove the filter and make it clean in warm water.

PROBLEM	POSSIBLE CAUSE	SOLUTION
The output pressure varies high and low.	The water supply is not sufficient.	Open water supply fully. Make sure the garden hose is free from blockage.
	The pump absorbs air.	<ol style="list-style-type: none"> 1. Make sure that the hoses and fittings have no problem. 2. Turn the machine off. 3. Pull the gun trigger until a stable flow of water comes out through the nozzle.
	The water intake filter is clogged.	Remove the filter and clean it in warm water.
	The supply voltage is low.	Make sure that only the pressure washer operates on the circuit.
	The gun, hose or nozzle are calcified.	Operate distilled vinegar through detergent tank.

PROBLEM	POSSIBLE CAUSE	SOLUTION
The motor buzzes, but you can not start the machine.	The supply voltage is low.	Make sure that only the pressure washer operates on the circuit.
	The system has remaining pressure.	<ol style="list-style-type: none"> 1. Stop the machine. 2. Pull the gun trigger on spray wand to release pressure 3. Start the machine.
	The voltage decreases across extension cord.	Disconnect the extension cord, and connect the machine directly into the outlet.
	You do not use the machine for a long time.	Speak to a person of an approved service center.
	There is remaining friction in components. You can hear a hum.	<ol style="list-style-type: none"> 1. Disconnect the water supply. 2. Turn the machine on for 2 or 3 seconds. 3. Repeat the above step for several times.
There is no water.	The water supply is off.	Turn the water supply on.
	The garden hose is blocked.	Make sure that the garden hose is free from blockage.

8 TECHNICAL DATA

Universal Motor	120V~ 60 Hz, 13 Amps
Max. Pounds Per Square Inch Pressure	2000 PSI
Max Gallon Per Minute	1.1 GPM
Maximum Inlet Water Temperature	104 °F (40 °C)
Cleaning Units	2200 C.U.
Weight	28.8 lbs. (13.1 kg)
	Double-insulated construction.

9 LIMITED WARRANTY



Greenworks hereby warrants this product, to the original purchaser with proof of purchase, for a period of three (3) years against defects in materials, parts or workmanship. Greenworks, at its own discretion, will repair or replace any and all parts found to be defective, through normal use, free of charge to the customer. This warranty is valid only for units which have been used for personal use that have not been purchased or rented for industrial/commercial use, and that have been maintained in accordance with the instructions in the owners' manual supplied with the product when new.

ITEMS NOT COVERED BY WARRANTY:

1. Any part that has become inoperative due to misuse, commercial use, abuse, neglect, accident, improper maintenance, or alteration; or
2. The unit, if it has not been operated and/or maintained in accordance with the owner's manual; or
3. Normal wear;
4. Routine maintenance items such as lubricants, blade sharpening;
5. Normal deterioration of the exterior finish due to use or exposure.

HELPLINE:

Warranty service is available by calling our toll-free helpline at 1-888-909-6757.

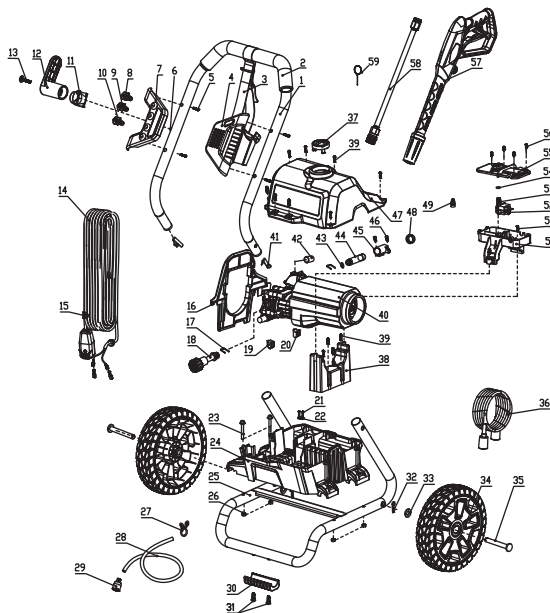
TRANSPORTATION CHARGES:

Transportation charges for the movement of any power equipment unit or attachment are the responsibility of the purchaser. It is the purchaser's responsibility to pay transportation charges for any part submitted for replacement under this warranty unless such return is requested in writing by Greenworks.

USA address:

Greenworks Tools
P.O. Box 1238
Mooresville, NC 28115

10 EXPLODED VIEW



ITEM NO.	PART NO.	DESCRIPTION	QTY
1	C3203032-00	Upper handle	1
2	349011635	Pull handle foam	1
3	349011824	Belt	1
4	C1105565-00	Spray gun holder	1
5	322011628	Screw	4
6	322021822	Bolt	3
7	C1105566-00	Nozzle storage panel	1
8	C1102273-00	40° Spray tip	1
9	C1105672-00	25° Spray tip	1
10	34139319	Soap nozzle	1
11	C4102952-00	Cord arm basement	1
12	C4100809-00	Power cord storage	1
13	322351635	Screw	1
14	C6300183-00	Power cord	1
15	34146363	Cord clamp	1
16	341003231	Wind deflector	1
17	33302365	U-pin	2
18	311231635	Water inlet connector	1
19	341062583	Left frame pad	1

20	341072583	Right frame pad	1
21	3320303	Screw	2
22	3410801	Cord clamp	1
23	322021923	Screw	4
24	341021635AB	Lower housing	1
25	C3203033-00	Lower handle	1
26	32222301A	Bolt	4
27	S1300072-00	Pipe strap	1
28	34900365	Suction hose	60
29	C4102954-00	Suction hose connector	1
30	341161635A	Screw	2
31	C4100530-00	Frame foot pad	1
32	3320643	Split pin	2
33	32908301A	Washer	2
34	C41002293-00	Wheel	2
35	33210301A	Axle	2
36	31203670-1	High pressure hose	1
37	C4102953-00	Switch knob	1
38	341042583	Motor Bracket	1
39	322031635	Screw	12
40	C1105588-00	Motor	1
41	33306847	Spring Button	2
42	34203365	Pump holder bushing	2
43	34202368	O-ring	1
44	332021635	Water outlet connector	1
45	341201635AB	Pressure plate	1
46	32202368	Screw	2
47	341011635AB	Upper housing	1
48	34125304	Cover	1
49	36511154	Connecting cap	1
50	341022583	Switch box	1
51	32209302A	Screw	2
52	363021628	Power switch	1
53	341023231	Switch lecel	1
54	34216301A	O-ring	1
55	341033231	Switch box cover	1
56	32223301A	Screw	4
57	31140363AB	Spray gun assy	1
58	311452302B	Spray wand assy	1

59	33201671	Spray tip cleaning tool	1
----	----------	-------------------------	---

1 Descripción.....	18	3.4	Instale las ruedas.....	22
1.1 Finalidad.....	18	3.5	Instalación del manillar superior.....	22
1.2 Descripción general del producto.....	18	3.6	Instale el soporte de la pistola de pulverización.....	22
2 Advertencias generales de seguridad para herramientas eléctricas.....	18	3.7	Instale el brazo para enrollar el cable eléctrico.....	22
2.1 Advertencias de seguridad generales para herramientas eléctricas.....	18	3.8	Instale la manguera de alta presión.....	22
2.2 Advertencias sobre seguridad eléctrica.....	18	4 Funcionamiento.....	22	
2.3 Advertencias de seguridad para limpiadores a presión.....	19	4.1	Conecte el suministro de agua al aparato.	23
2.4 Protección de interruptor de circuito de fallo a tierra.....	19	4.2	Use la pistola de pulverización.....	23
2.5 Tareas de mantenimiento de un aparato de doble aislamiento.....	19	4.3	Cambie la boquilla.....	23
2.6 Cables alargadores.....	19	4.4	Ponga la herramienta en marcha.....	24
2.7 Seguridad infantil.....	19	4.5	Detención de la máquina.....	24
2.8 Símbolos en el producto.....	20	5 Mantenimiento.....	25	
2.9 Niveles de riesgo.....	20	5.1	Mantenimiento de la boquilla.....	25
2.10 Propuesta 65.....	21	6 Transporte y almacenamiento.....	25	
3 Instalación.....	21	6.1	Traslado de la máquina.....	25
3.1 Conexión eléctrica.....	21	6.2	Almacenamiento de la máquina.....	25
3.2 Desembalaje de la máquina.....	21	7 Resolución de problemas.....	26	
3.3 Instale la varilla pulverizadora.....	21	8 Datos técnicos.....	27	
		9 Garantía limitada.....	27	
		10 Vista en despiece.....	28	

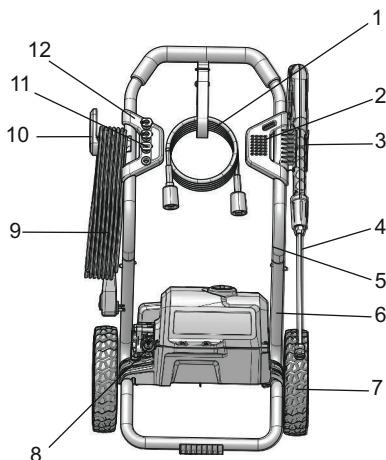
1 DESCRIPCIÓN

1.1 FINALIDAD

Este aparato se usa para limpiar vehículos, barcos, edificios, porches, cubiertas, patios y caminos de entrada.

Indicado solo para el uso doméstico, no apto para el uso profesional, y no debe funcionar en temperaturas superiores a 32°F (0°C).

1.2 DESCRIPCIÓN GENERAL DEL PRODUCTO



- | | |
|--|-----------------------------------|
| 1 Manguera de alta presión | 7 Rueda |
| 2 Soporte de la pistola de pulverización | 8 Entrada de agua |
| 3 Pistola de pulverización | 9 Cable de alimentación |
| 4 Varilla pulverizadora | 10 Retenedor del cable |
| 5 Manillar superior | 11 Consejos para la pulverización |
| 6 Manillar inferior | 12 Panel frontal |

2 ADVERTENCIAS GENERALES DE SEGURIDAD PARA HERRAMIENTAS ELÉCTRICAS

▲ AVISO

Cuando utilice este producto, deben seguirse siempre precauciones básicas, incluidas las siguientes:

Guarde todas las advertencias e instrucciones para su consulta posterior.

El término “herramienta eléctrica” empleado en las advertencias se refiere a su herramienta eléctrica con funcionamiento de red (con cable).

2.1 ADVERTENCIAS DE SEGURIDAD GENERALES PARA HERRAMIENTAS ELÉCTRICAS

- Esta herramienta no ha sido concebida para ser utilizada por personas (incluidos niños) con discapacidades físicas, sensoriales o mentales, o sin experiencia ni conocimiento del producto, a menos que estén bajo supervisión o hayan recibido instrucciones sobre el uso del aparato por parte de una persona responsable de su seguridad. Los niños deben estar bajo vigilancia para asegurarse de que no juegan con el aparato.
- Conozca las aplicaciones y limitaciones de este aparato así como sus peligros potenciales estudiando su manual.
- No utilizar nunca este aparato con protecciones o cubiertas retiradas o dañadas.
- No utilizar el producto bajo los efectos del consumo de drogas, alcohol o cualquier medicación.
- No llevar puesta ropa suelta, guantes, corbata, ni joyas durante el uso del aparato. Podrían quedar atrapados y arrastrarle hacia las piezas móviles.
- Se recomienda utilizar guantes de goma y calzado antideslizante para trabajar en el exterior. En caso de tener el pelo largo, también debe llevar el pelo cubierto como protección. Utilice calzado que proteja sus pies y mejore su agarre sobre superficies resbaladizas.
- No intente excederse para llegar a puntos de difícil acceso o superficies inestables. Mantenga en todo momento un buen equilibrio y los pies firmemente apoyados en el suelo.
- Inspeccione la zona de trabajo antes de utilizar la herramienta. Retire todos los objetos como piedras, cristales rotos, clavos, alambres, o cuerdas que pudieran salir lanzados o quedar enredados en el aparato.
- Evite cualquier entorno peligroso. No exponer a la lluvia. Mantener la zona de trabajo bien iluminada.
- Antes de iniciar la operación de limpieza, cierre puertas y ventanas. Retire de la zona a limpiar, residuos, juguetes, muebles de exterior, u otros objetos que pudieran suponer un peligro.
- No utilice el aparato cerca de otras personas a menos que utilicen ropa de protección.

2.2 ADVERTENCIAS SOBRE SEGURIDAD ELÉCTRICA

- Antes de realizar cualquier tarea de mantenimiento por parte del usuario desconecte el suministro eléctrico.
- Utilice solo cables alargadores con conexiones estancas y concebidos para el uso en el exterior. Utilice solo cables alargadores con características eléctricas no inferiores a las especificadas del producto. Examine el cable alargador antes de utilizarlo y sustitúyalo si estuviera dañado. No maltrate el alargador eléctrico y no estire del

cable para desconectarlo. Mantenga el cable alejado del calor y bordes afilados. Desconecte siempre primero el alargador de la toma de corriente antes de desconectar el producto del alargador.

- No utilice el aparato si el cable de alimentación o cualquier pieza importante del aparato está dañada, por ejemplo dispositivos de seguridad, manguera de alta presión, pistola de gatillo.
- Un alargador eléctrico inadecuado puede ser peligroso.
- Para reducir el riesgo de electrocución, mantenga todas las conexiones secas y fuera del suelo. No toque el enchufe con las manos mojadas.
- No maltrate el cable de alimentación eléctrica. No utilice el cable eléctrico para transportar el producto y tampoco para desconectar el enchufe de la toma de corriente. Mantenga el cable apartado de las fuentes de calor, el aceite, los cantos agudos o las piezas móviles. Si el cable está dañado, deberá ser sustituido inmediatamente. Un cable dañado incrementa el riesgo de una descarga eléctrica.
- Inspeccione periódicamente los cables alargadores y reemplácelos si están dañados. Mantenga los manillares secos, limpios y sin restos de aceite o grasa.

2.3 ADVERTENCIAS DE SEGURIDAD PARA LIMPIADORES A PRESIÓN

- Lea todas las instrucciones antes de utilizar el producto.
- Para reducir el riesgo de lesiones, es necesaria una supervisión estrecha cuando se utiliza un producto cerca de niños.
- Debe saber cómo detener el producto y purgar las presiones rápidamente. Familiarícese bien con los controles.
- Manténgase alerta – observe lo que está haciendo.
- No utilice el producto cuando esté cansado o bajo la influencia de alcohol o drogas.
- Mantenga alejadas a las personas de la superficie de trabajo.
- No se estire ni se suba sobre un soporte inestable. Mantenga en todo momento una buena postura y el equilibrio.
- Siga las instrucciones de mantenimiento especificadas en el manual.
- Este producto se suministra con un interruptor de circuito de fallo a tierra integrado en el enchufe del cable de alimentación. Si es necesario sustituir el enchufe o el cable, utilice únicamente piezas de repuesto idénticas.
- Riesgo de inyección o lesión – No dirija el chorro de descarga a las personas.
- Mantenga el motor alejado de materiales inflamables y otros materiales peligrosos.
- Mantenga el producto seco, limpio y sin restos de aceite y grasa. Para la limpieza utilice siempre un paño limpio. Nunca utilice líquidos de frenos, gasolina, productos a base de petróleo o cualquier otro disolvente para limpiar el producto.

▲ AVISO

Para reducir el riesgo de electrocución, mantenga todas las conexiones secas y alejadas del suelo. No maneje el cable con las manos mojadas.

2.4 PROTECCIÓN DE INTERRUPTOR DE CIRCUITO DE FALLO A TIERRA

Este limpiador a presión cuenta con un interruptor de circuito de fallo a tierra (GFCI) incorporado en el enchufe del cable de alimentación. Este dispositivo proporciona protección adicional contra el riesgo de descarga eléctrica. En caso de que sea necesario sustituir el enchufe o el cable, utilice únicamente piezas de repuesto idénticas que incluyan protección GFCI.

2.5 TAREAS DE MANTENIMIENTO DE UN APARATO DE DOBLE AISLAMIENTO.

- Un producto con doble aislamiento posee dos sistemas de aislamiento, en vez de una toma a tierra. Sin toma de tierra quiere decir que el producto posee un aislamiento doble, y por ello no debe agregarse ningún medio de toma a tierra al producto. El mantenimiento de un producto con doble aislamiento requiere un cuidado extremo y conocimiento del sistema, y solo debe realizarlo un servicio técnico autorizado. Las piezas de repuesto de un producto con doble aislamiento deben ser idénticas a las piezas que sustituyen. Un producto con doble aislamiento está marcado con las palabras «DOBLE AISLAMIENTO» o «DOBLEMENTE AISLADO».

2.6 CABLES ALARGADORES

- Utilice únicamente cables alargadores que se hayan diseñado para uso en exteriores. Estos cables alargadores se identifican con el marcado "Acceptable para su utilización con aparatos de exterior; almacenar en el interior mientras no esté en uso". Utilice únicamente cables alargadores que tengan una potencia eléctrica no inferior a la potencia nominal del producto. No utilice cables eléctricos dañados. Examine el cable alargador antes del uso y sustitúyalo si está dañado. No abuse del cable alargador y no tire de ningún cable para desconectarlo. Mantenga el cable alejado del calor y de los bordes afilados. Desconecte siempre el cable alargador del receptáculo antes de desconectar el producto del cable alargador.

2.7 SEGURIDAD INFANTIL





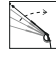


Pueden producirse accidentes trágicos si el operario no es consciente de la presencia de niños.





- Mantenga a los niños fuera de la zona de trabajo y bajo la vigilancia de un adulto responsable.

- No permita que niños menores de 14 años utilicen esta herramienta. Los niños de 14 años y mayores deben leer y entender las instrucciones de funcionamiento y las normas de seguridad que se encuentran en este manual y deben recibir formación y supervisión por parte de uno de sus progenitores.
- Manténgase alerta y apague el aparato si un niño o cualquier otra persona entra en la zona de trabajo.
- Tenga mucho cuidado al acercarse a esquinas ciegas, portales, arbustos, árboles u otros objetos que puedan ocultar su visión de un niño que pueda correr hacia el recorrido del aparato.

2.8 SÍMBOLOS EN EL PRODUCTO



En esta herramienta pueden utilizarse algunos de los siguientes símbolos. Le rogamos que los estudie y aprenda su significado. La interpretación correcta de estos símbolos le permitirá manejar la herramienta mejor y de manera más segura.

Símbolo	Explicación
	Para reducir el riesgo de lesiones, el usuario debe leer y entender el manual del operario antes de utilizar este producto.
	No exponga el producto a la lluvia o a condiciones de humedad.
	Lleve siempre gafas de seguridad o anteojos de seguridad con protectores laterales y, en caso necesario, un protector facial completo cuando utilice este producto.
	Para reducir el riesgo de inyección o lesión, nunca dirija un chorro de agua hacia personas o animales, ni coloque ninguna parte del cuerpo delante del chorro. Las fugas en las mangueras y los racores también pueden provocar lesiones por inyección. No sujete las mangueras ni los racores.
	Para reducir el riesgo de lesiones por retroceso, sujete firmemente la lanza con ambas manos cuando la máquina esté encendida.
	Si no se utiliza en condiciones secas y no se respetan prácticas seguras, pueden producirse descargas eléctricas.
	El combustible y sus vapores son explosivos y pueden producir quemaduras graves o incluso la muerte.

Símbolo	Explicación
	¡Advertencia! Nunca apunte la pistola hacia personas, animales, el cuerpo de la máquina, la fuente de alimentación o cualquier aparato eléctrico.
	El aparato no es adecuado para la conexión a la red de agua potable sin un dispositivo de prevención de reflujo.
	Utilice la plataforma de limpieza únicamente sobre superficies planas y horizontales. Nunca levante la plataforma de limpieza de la superficie de limpieza mientras esté utilizando el limpiador a presión.
	Mantenga las manos y los pies alejados de la plataforma de limpieza mientras el limpiador a presión esté en funcionamiento.

2.9 NIVELES DE RIESGO

Las siguientes indicaciones y significados tienen como fin explicar los niveles de riesgo asociados a este producto.

SÍMBOLO	INDICACIÓN	SIGNIFICADO
	PELIGRO	Indica una situación de peligro inminente que, de no evitarse, provocará lesiones graves o incluso la muerte.
	ADVERTENCIA	Indica una situación de peligro potencial que, de no evitarse, podría provocar lesiones graves o incluso la muerte.
	PRECAUCIÓN	Indica una situación de peligro potencial que, de no evitarse, puede provocar lesiones leves o moderadas.
	PRECAUCIÓN	(Sin símbolo de alerta sobre seguridad) Indica una situación que puede provocar daños materiales.

2.10 PROPUESTA 65

▲ AVISO

Este producto contiene una sustancia química conocida en el estado de California como causante de cáncer, defectos de nacimiento u otros daños reproductivos. El polvo generado por el lijado eléctrico, el serrado, el esmerilado, la perforación y otras actividades de construcción contiene sustancias químicas que se sabe que son causantes de cáncer, defectos de nacimiento u otros daños reproductivos. Algunos ejemplos de estas sustancias químicas son:

- Plomo de pinturas con base de plomo;
- Sílice cristalina de ladrillos y cemento y otros productos de albañilería;
- Arsénico y cromo de la madera tratada químicamente.

El riesgo de exposición a estas sustancias químicas varía según la frecuencia con la que realice este tipo de trabajo. Para reducir su exposición a estas sustancias químicas, trabaje en una zona bien ventilada y trabaje con equipos de seguridad aprobados, como máscaras antipolvo, que estén especialmente diseñadas para filtrar partículas microscópicas.

Conserve estas instrucciones.

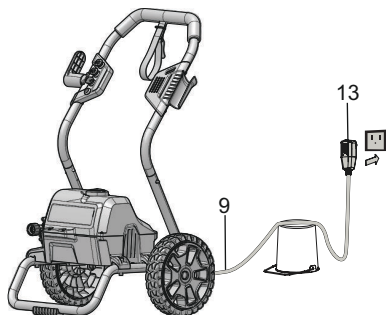
3 INSTALACIÓN

3.1 CONEXIÓN ELÉCTRICA

Esta máquina tiene un motor eléctrico fabricado con precisión. Debe conectarse a una fuente de alimentación de 120V, 60 Hz, únicamente CA (doméstica). No utilice esta máquina con corriente continua (CC). Una caída de tensión considerable provocará una pérdida de potencia y el motor se sobrecalentará.

3.1.1 PREPARE UN BUCLE DE GOTEO

Se recomienda usar un bucle de goteo (13) como se ilustra abajo para que el agua no pueda derramarse por el cable de alimentación (9) e incluso poder alcanzar la salida eléctrica u al enchufe.



▲ AVISO

Mantenga el cable de extensión fuera del área de trabajo. Coloque el cable de modo que no pueda engancharse con maderas, herramientas u otras obstrucciones mientras está trabajando con el aparato. De lo contrario se pueden producir lesiones corporales graves.

3.2 DESEMBALAJE DE LA MÁQUINA

▲ AVISO

Asegúrese de montar correctamente la máquina antes del uso.

▲ AVISO

- Si las piezas de la máquina presentan daños, no utilice la máquina.
- Si no tiene todas las piezas, no utilice la máquina.
- Si faltan piezas o hay piezas dañadas, contacte con el centro de servicio.

1. Abra el embalaje.
2. Lea la documentación que se proporciona en la caja.
3. Retire todas las piezas sin montar de la caja.
4. Retire la máquina de la caja.
5. Deseche la caja y el material de embalaje de conformidad con los reglamentos locales.

3.3 INSTALE LA VARILLA PULVERIZADORA

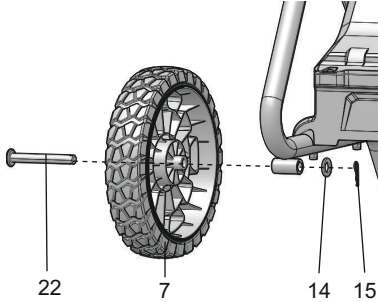


1. Introduzca el extremo de la varilla pulverizadora (4) en la empuñadura de la pistola (2).
2. Gire la varilla pulverizadora (4) en el sentido de las agujas del reloj hasta que las pestañas queden correctamente acopladas.

▲ AVISO

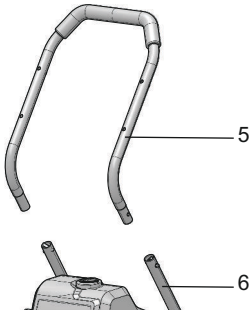
Compruebe que la conexión no tiene fugas.

3.4 INSTALE LAS RUEDAS



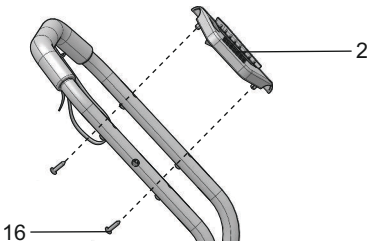
1. Coloque el eje (22) a través de la rueda (7) y el armazón del manillar.
2. Acople una arandela (14) al eje.
3. Introduzca un pasador de chaveta (15) por el orificio del eje.

3.5 INSTALACIÓN DEL MANILLAR SUPERIOR



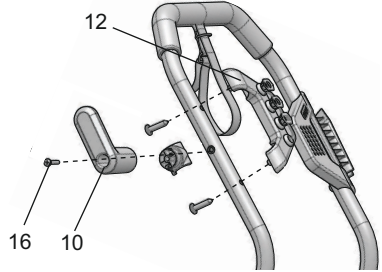
1. Pulse y mantenga pulsado los botones de bloqueo del manillar en el manillar superior (5).
2. Coloque el manillar superior (5) en el manillar inferior (6) hasta que el botón de bloqueo se acople en la ranura.

3.6 INSTALE EL SOPORTE DE LA PISTOLA DE PULVERIZACIÓN



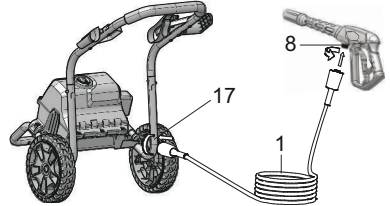
1. Los casquillos de los tornillos del soporte de la pistola de pulverización (2) deben estar alineados con los orificios para tornillos del manillar superior (5).
2. Pase los tornillos (16) a través de los casquillos y apriételos con un destornillador Phillips (no incluido).

3.7 INSTALE EL BRAZO PARA ENROLLAR EL CABLE ELÉCTRICO



1. Acople el brazo para enrollar el cable (12) en el accesorio.
2. Alinee el tornillo (16) con el orificio del brazo para enrollar el cable eléctrico (12).
3. Pase el tornillo (16) y apriételo.

3.8 INSTALE LA MANGUERA DE ALTA PRESIÓN



1. Tire del extremo de retenedor del cable para liberar la manguera de alta presión (1).
2. Empuje y gire en el sentido horario un extremo de la manguera de alta presión (1) para introducirla en el acoplamiento de entrada (8).
3. Instale y apriete el otro extremo de la manguera de alta presión (1) en el acoplamiento de salida del agua (17).

4 FUNCIONAMIENTO

▲ AVISO

Asegúrese de que todas las conexiones estén apretadas y no tengan fugas antes del funcionamiento.

4.1 CONECTE EL SUMINISTRO DE AGUA AL APARATO.

Para facilitar su funcionamiento, utilice una manguera de jardín autoenrollable (no suministrada).

▲ AVISO

Cuando utilice una manguera autoenrollable, asegúrese de que la manguera no está atascada.

▲ AVISO

- El suministro de agua debe proceder de la red de agua.
- No utilizar agua caliente
- No utilizar agua de estanques ni lagos

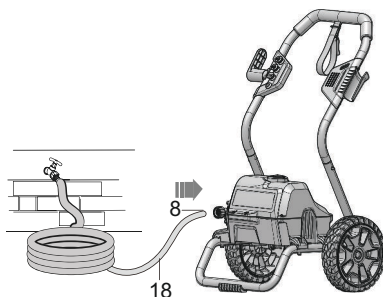
▲ AVISO

Siga la normativa local a la hora de conectar la manguera de jardín al suministro de agua. Por lo general, se permite la conexión directa a través de un tanque receptor o un dispositivo de prevención de reflujo.

▲ PRECAUCIÓN

Inspeccione el filtro en el conector de entrada de agua antes de conectar la manguera de jardín.

- Si el filtro está dañado, no use el aparato hasta que se reemplace el filtro.
- Si el filtro está sucio, límpielo.

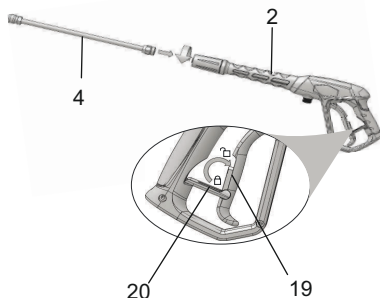


1. Desenrolle la manguera de jardín (18).
2. Deje que salga agua por la manguera durante 30 segundos.
3. Cierre el suministro de agua.
4. Instale y apriete el extremo de la manguera de jardín (18) al conector de entrada de agua (8).

▲ PRECAUCIÓN

Debe haber como mínimo 10 pies (3 m) de manguera entre la entrada de agua y el suministro de agua.

4.2 USE LA PISTOLA DE PULVERIZACIÓN



▲ AVISO

Para asegurar el control, mantenga siempre las manos sujetando la pistola.

- Apriete y sujete el gatillo de la pistola (19) para poner en marcha el aparato.
- Suelte el gatillo de la pistola (19) para detener el chorro de agua que sale por la boquilla (11).

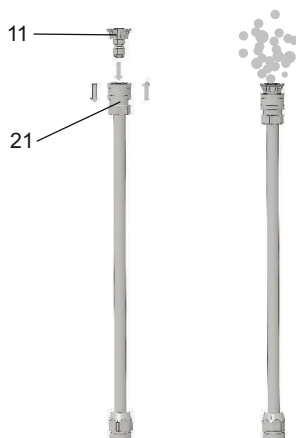
4.2.1 DESBLOQUEE EL GATILLO DE LA PISTOLA DE PULVERIZACIÓN

- Empuje hacia atrás el botón de seguridad del gatillo (20).

4.2.2 BLOQUEE EL GATILLO DE LA PISTOLA

- Empuje hacia delante el botón de seguridad del gatillo (20).

4.3 CAMBIE LA BOQUILLA



▲ AVISO




Antes de cambiar la boquilla:

1. Apriete el gatillo de la pistola para liberar la presión del agua.
2. Bloquee el botón de seguridad del gatillo de la pistola.
3. Detenga el aparato.

▲ AVISO

No apunte la varilla pulverizadora hacia su cara o la cara de otras personas.

4.3.1 TIPO DE BOQUILLA

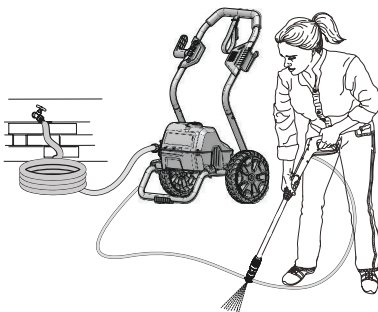
CONSEJOS SOBRE LA PULVERIZACIÓN	APLICACIÓN
 25°	<p>Verde - Punta estrecha de abanico (25°)</p> <ul style="list-style-type: none"> • La punta verde de arandela de presión ofrece mayor versatilidad con su punta de ángulo de 25 grados. Denominada punta limpiadora, porque ofrece la presión adecuada para eliminar la suciedad de superficies, pero ha sido diseñada para no dañar muchas superficies. Esta punta de arandela de presión ha sido diseñada para «barrer» hojas o residuos gracias a su ángulo ancho. Esta punta es versátil debido a su amplia zona de limpieza y su fuerte presión.
 40°	<p>Blanco - Punta ancha de abanico (40°)</p> <ul style="list-style-type: none"> • La punta ancha de 40 grados, denominada punta de «abanico» crea un área más ancha de limpieza con una presión relativamente baja. Es mejor utilizar esta punta de lavado a presión para realizar limpiezas ligeras o delicadas. Se recomienda para limpiezas ligeras de cubiertas de madera y otras superficies blandas o delicadas.
 SOAP	<p>Negra - punta pulverizadora de jabón</p> <ul style="list-style-type: none"> • La punta negra pulverizadora de jabón se utiliza para aplicaciones con jabón. El jabón se aplica con poca presión y alto volumen para obtener un resultado óptimo. No se puede utilizar jabón a alta presión con este aparato.

4.3.2 INSTALE LA BOQUILLA

1. Tire hacia atrás del cuello de conexión rápida (21) de la varilla pulverizadora (4).
2. Instale la boquilla (11) en la varilla pulverizadora (4).

3. Suelte el cuello de conexión rápida (21) para acoplar la boquilla (11).

4.4 PONGA LA HERRAMIENTA EN MARCHA



▲ PRECAUCIÓN

No ponga la herramienta en funcionamiento sin conectarla a la red de suministro de agua.

▲ PRECAUCIÓN

Antes de encender la herramienta:

1. Abra el suministro de agua.
2. Apriete el gatillo de la pistola para liberar la presión del aire.
3. Si sale un chorro de agua estable de la pistola, suelte el gatillo.

1. Conecte el aparato a la toma de corriente.
2. Sitúe el interruptor en la posición de encendido (I).
3. Abra el grifo de agua.
4. Pulse el gatillo de la pistola.

4.5 DETENCIÓN DE LA MÁQUINA

1. Suelte el gatillo de la pistola pulverizadora.
2. Pulse de nuevo el interruptor de encendido/apagado para situar el interruptor en la posición de apagado (O).

▲ AVISO

Si no utiliza la máquina:

- Detenga la herramienta.
- Desconecte el suministro de agua.
- Desconecte el cable de alimentación de la toma de pared.
- Apriete el gatillo de la pistola pulverizadora para liberar la presión restante de la herramienta.
- Acople el bloqueo de seguridad del gatillo en la pistola pulverizadora.

5 MANTENIMIENTO

▲ AVISO

Antes del mantenimiento, asegúrese de

- Detener la herramienta.
- Esperar hasta que se detengan todas las piezas móviles.
- Desconectar el enchufe de la fuente de alimentación.

▲ AVISO

No utilice disolventes o detergentes fuertes en la carcasa o los componentes de plástico.

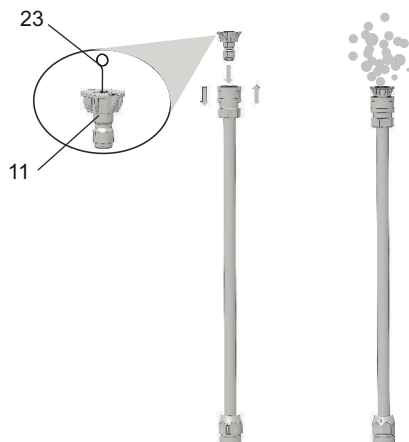
▲ AVISO

No permita que líquidos de frenos, gasolina y otros derivados del petróleo toquen las piezas de plástico. Las sustancias químicas pueden dañar el plástico y hacer que quede inservible.

▲ AVISO

El cable de alimentación debe ser sustituido por un centro de servicio autorizado.

5.1 MANTENIMIENTO DE LA BOQUILLA



Si existe excesiva presión en la bomba, la boquilla podría quedar obstruida, usted sentirá una sensación de pulsación mientras pulsa el gatillo.

5.1.1 RETIRE LA BOQUILLA

1. Tire hacia atrás del cuello de conexión rápida (21) de la varilla pulverizadora (4).
2. Retire la boquilla (11) de la varilla pulverizadora (4).

5.1.2 LIMPIE LA BOQUILLA

1. Utilice un clip de papel enderezado o la herramienta de limpieza (23) para limpiar la punta del pulverizador (11).
2. Purgue y limpie los materiales no deseados del interior de la boquilla (11) utilizando la manguera de jardín (18).
3. Instale la boquilla de limpieza (11) en la varilla pulverizadora (4).

6 TRANSPORTE Y ALMACENAMIENTO

▲ AVISO

Desconecte el cable de alimentación y la manguera de suministro de agua antes del transporte y el almacenamiento.

6.1 TRASLADO DE LA MÁQUINA

- Apunte la varilla pulverizadora en una dirección segura.
- Sujete la máquina únicamente por la empuñadura.

6.2 ALMACENAMIENTO DE LA MÁQUINA

▲ AVISO

Asegúrese de que la pistola de pulverización, la manguera de alta presión y la bomba estén secas.

▲ AVISO

Asegúrese de que la máquina esté fuera del alcance de los niños.

i NOTA

Utilice un protector de bomba recomendado para evitar daños por el frío durante el almacenamiento en invierno.

- Desconecte la manguera de jardín de la máquina.
- Enrolle el cable de alimentación y la manguera de alta presión.
- Limpie la carcasa y los componentes de plástico con un paño húmedo y suave.
- Asegúrese de que la máquina no tenga piezas sueltas o dañadas. Si es necesario, siga estos pasos/estas instrucciones:
 - Sustituya las piezas dañadas.
 - Apriete los pernos.
 - Si es necesario, llame al número de teléfono del servicio de atención al cliente (introducir el número aquí) para obtener instrucciones de servicio.
- Almacene la máquina en un lugar seco, aislado y donde no hiele.

7 RESOLUCIÓN DE PROBLEMAS

ES


PROBLEMA	CAUSA POSIBLE	SOLUCIÓN
El motor no arranca.	El interruptor está apagado.	Sítue el interruptor en la posición "ON" ().
	No ha conectado el cable de alimentación.	Conecte el cable de alimentación a la toma de corriente.
	La toma de corriente no suministra suficiente potencia.	Utilice otra toma de corriente.
	El disyuntor se ha activado.	Espere hasta que se haya enfriado, y ponga la máquina en funcionamiento de nuevo.
	El interruptor está encendido, pero usted no ha pulsado el gatillo.	Pulse el gatillo de la pistola.
La máquina no tiene suficiente presión.	El diámetro de la manguera de jardín es demasiado pequeño.	Sustituya por una manguera de jardín de 25 mm (1") o 16 mm (5/8").
	La manguera de jardín está obstruida.	Asegúrese de que la manguera de jardín no está obstruida.
	El suministro de agua no es suficiente.	Abra el grifo de agua por completo.
	No ha instalado la boquilla en la varilla pulverizadora.	Instale la boquilla en la varilla pulverizadora.
	El filtro de entrada de agua está obstruido.	Retire el filtro y límpielo en agua templada.

PROBLEMA	CAUSA POSIBLE	SOLUCIÓN
La presión de salida varía entre alta a baja.	El suministro de agua no es suficiente.	Abra el grifo de agua por completo. Asegúrese de que la manguera de jardín no está obstruida.
	La bomba absorbe aire.	<ol style="list-style-type: none"> 1. Asegúrese de que las mangueras y los acoplamientos están en buenas condiciones. 2. Apague la máquina. 3. Pulse el gatillo hasta obtener un chorro de agua estable por la boquilla.
	El filtro de entrada de agua está obstruido.	Retire el filtro y límpielo en agua templada.
	El suministro eléctrico no tiene suficiente potencia.	Asegúrese de que solo la hidrolimpiadora está conectada al circuito eléctrico.
	La pistola, manguera o boquilla están calcificadas.	Añada vinagre destilado al depósito de detergente.

PROBLEMA	CAUSA POSIBLE	SOLUCIÓN
El motor genera un zumbido, pero usted no puede encender la máquina.	El suministro eléctrico no tiene suficiente potencia.	Asegúrese de que solo la hidrolimpiadora está conectada al circuito eléctrico.
	El sistema todavía tiene presión en el interior.	<ol style="list-style-type: none"> 1. Detenga la máquina. 2. Pulse el gatillo o la varilla pulverizadora para expulsar la presión. 3. Ponga la máquina en funcionamiento.
	El voltaje disminuye por el alargador eléctrico.	Desconecte el alargador eléctrico y conecte la máquina directamente a la toma de corriente.
	No utilice la máquina durante un largo periodo de tiempo.	Hable con alguien del servicio técnico oficial.
	Hay fricción entre los componentes. Puede escuchar un zumbido.	<ol style="list-style-type: none"> 1. Desconecte el suministro de agua. 2. Encienda la máquina durante 2 ó 3 segundos. 3. Repita varias veces el paso anterior.
No hay agua.	El grifo del agua está cerrado.	Abra el grifo de agua.
	La manguera de jardín está obstruida.	Asegúrese de que la manguera de jardín no está obstruida.

8 DATOS TÉCNICOS

Motor universal	120V~ 60 Hz, 13 Amps
Máx. presión libras por pulgada al cuadrado	2000 PSI
Galones máx. por minuto	1.1 GPM
Temperatura máxima de agua de entrada	104 °F (40 °C)

Unidades de limpieza	2200 C.U.
Peso	28.8 lbs. (13.1 kg)
	Estructura con doble aislamiento.

9 GARANTÍA LIMITADA



Por la presente Greenworks garantiza este producto, al comprador original con el comprobante de compra, durante un periodo de tres (3) años frente a defectos en materiales, piezas o mano de obra. A su entera discreción Greenworks reparará o sustituirá cualquiera y todas las piezas que resulten ser defectuosas, con un uso normal, sin coste alguno para el cliente. Esta garantía es válida únicamente para unidades que se hayan utilizado para uso personal que no han sido compradas o alquiladas para uso industrial/comercial y cuyo mantenimiento se ha realizado de acuerdo con las instrucciones del manual del propietario suministrado con el producto nuevo.

ARTÍCULOS NO CUBIERTOS POR LA GARANTÍA:

1. Cualquier pieza que no funcione debido a mal uso, uso comercial, abuso, negligencia, accidente, mantenimiento inadecuado o alteración; o
2. La unidad, si no ha sido utilizada o mantenida de acuerdo con el manual del propietario; o
3. Desgaste normal;
4. Artículos de mantenimiento de rutina tales como lubricantes, afilado de cuchillas;
5. Deterioro normal del acabado exterior debido al uso o la exposición.

LÍNEA DE ASISTENCIA TELEFÓNICA:

Puede contactar con el servicio de garantía llamando a nuestra línea de asistencia telefónica gratuita a 1-888-909-6757.

COSTES DE TRANSPORTE:

Los costes de transporte por el desplazamiento de cualquier unidad o accesorio de equipos eléctricos son responsabilidad del comprador. Es responsabilidad del comprador pagar los costes de transporte de cualquier pieza enviada para su sustitución bajo esta garantía, a menos que dicha devolución sea solicitada por escrito por Greenworks.

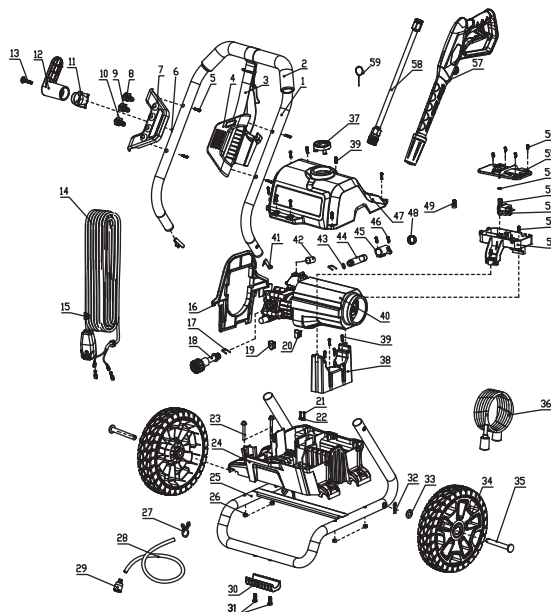
Dirección en EE.UU.:

Greenworks Tools

P.O. Box 1238

Mooresville, NC 28115

10 VISTA EN DESPIECE



ARTÍCULO N.º	N.º DE PIEZA	DESCRIPCIÓN	CANT.
1	C3203032-00	Manillar superior	1
2	349011635	Espuma de agarre del manillar	1
3	349011824	Correa	1
4	C1105565-00	Soporte de la pistola de pulverización	1
5	322011628	Tornillo	4
6	322021822	Perno	3
7	C1105566-00	Panel de almacenamiento de la boquilla	1
8	C1102273-00	Punta de pulverización de 40°	1
9	C1105672-00	Punta de pulverización de 25°	1
10	34139319	Punta de jabón	1
11	C4102952-00	Base del brazo del cable	1
12	C4100809-00	Compartimento para enrollar el cable eléctrico	1

13	322351635	Tornillo	1
14	C6300183-00	Cable de alimentación	1
15	34146363	Abrazadera del cable	1
16	341003231	Deflector de aire	1
17	33302365	Clavija-U	2
18	311231635	Conector de la entrada de agua	1
19	341062583	Almohadilla izquierda del armazón	1
20	341072583	Almohadilla derecha del armazón	1
21	3320303	Tornillo	2
22	3410801	Abrazadera del cable	1
23	322021923	Tornillo	4
24	341021635AB	Carcasa inferior	1
25	C3203033-00	Manillar inferior	1
26	32222301A	Perno	4
27	S1300072-00	Atadura del tubo	1
28	34900365	Manguera de succión	60
29	C4102954-00	Conector de la manguera de succión	1
30	341161635A	Tornillo	2
31	C4100530-00	Almohadilla del pie del armazón	1
32	3320643	Pasador hendido	2
33	32908301A	Arandela	2
34	C41002293-00	Rueda	2
35	33210301A	Eje	2
36	31203670-1	Manguera de alta presión	1
37	C4102953-00	Botón del interruptor	1
38	341042583	Soporte del motor	1
39	322031635	Tornillo	12
40	C1105588-00	Motor	1
41	33306847	Botón de resorte	2
42	34203365	Rodamiento del soporte de la bomba	2
43	34202368	Junta tórica	1
44	332021635	Conector de salida del agua	1
45	341201635AB	Placa de presión	1
46	32202368	Tornillo	2
47	341011635AB	Carcasa superior	1

48	34125304	Cubierta	1
49	36511154	Tapón de conexión	1
50	341022583	Caja de conexiones	1
51	32209302A	Tornillo	2
52	363021628	Interruptor de encendido	1
53	341023231	Nivel del interruptor	1
54	34216301A	Junta tórica	1
55	341033231	Tapa de la caja de conexiones	1
56	32223301A	Tornillo	4
57	31140363AB	Conjunto de la pistola de pulverización	1
58	311452302	Conjunto de la varilla pulverizadora	1
59	33201671	Herramienta para la limpieza de la punta pulverizadora	1

