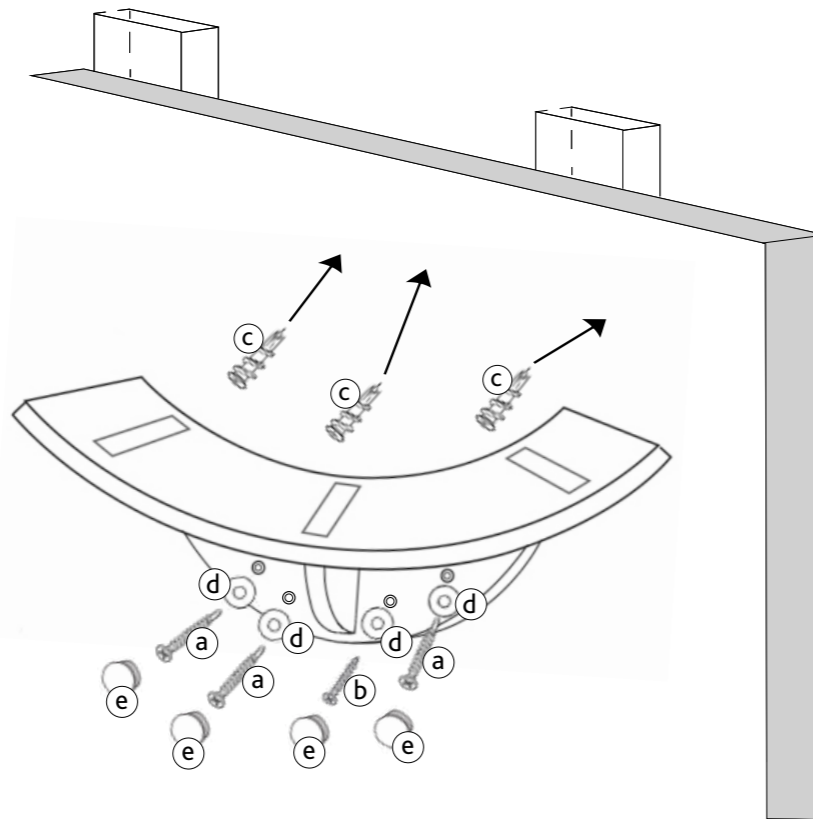


Item No.	Description	Color	Code	Measurement
445	Lea Wall Mounted Cat Bed	white	79	50,5 × 28 × 16 cm 19.9 × 6.3 × 11
		brown	80	
		gray	81	

Item No.	Description
44579-10	Hardware Set

Pos. Nr.	Description, Hardware Set	Measurement	Quantity
a	Metal Screw	3,8 cm 1.5 in.	4
b	Wooden Screw	4 cm 1.6 in.	4
c	Drywall Anchor	4 cm 1.6 in.	4
d	Washer	12 mm 0.47 in. diam.	4
e	Caps		4

### Drywall connection



#### EN Work steps for drywall. Combined mounting to drywall stud and dry wall panel

##### First Step

For maximum strength, please use one of the two central screw holes for the connection to the stud.  
 Please use a stud finder (or other technique) and a pencil. Bring the product in final position and mark all screw-points.  
 The screw point for the stud should be central on the stud. Use a spirit level or have someone eyeball to make sure the holes are levelled.

##### Second Step

Use your drill and the 1/16" bit to make pilot holes for maximum 1 inch to all drywall anchor markings.

##### Third Step

Use your drill with a matching Phillips bit to drill the anchors into the drywall panel. Be careful to not damage the drywall panel.

##### Fourth Step

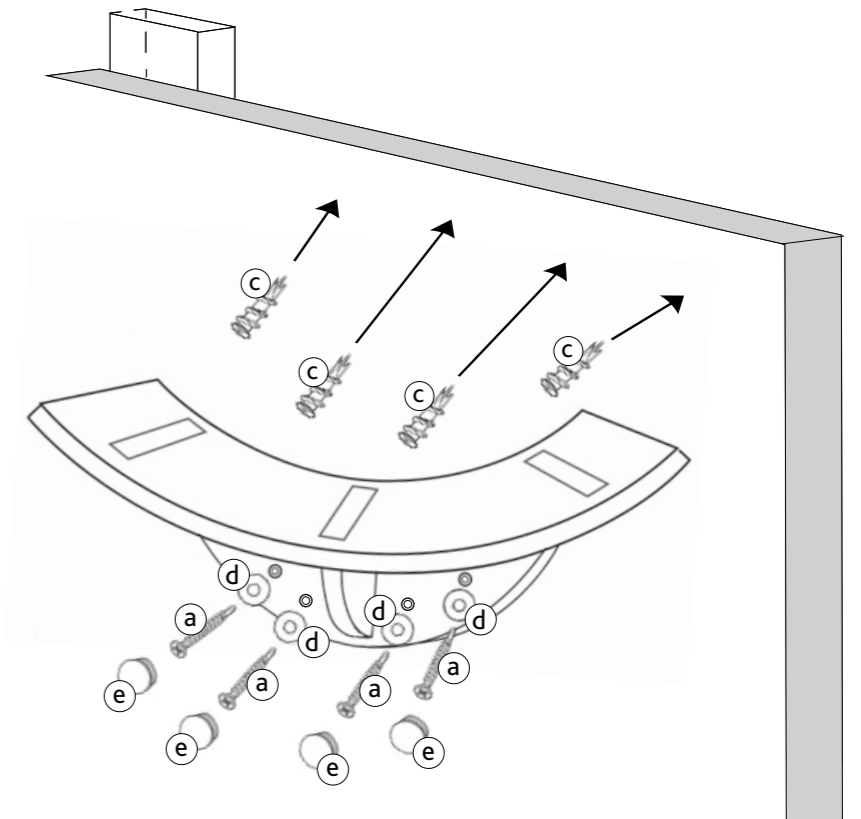
Mount the board with attached screws and washers to the drywall anchor and to the stud. Cover the screws with attached caps.

**Depending on the stud material you either need to use the wood screw or metal screw.**

##### Advice:

Please note the secure assembly and mounting requires one adult person.  
 Drilling into drywall panel could cause dust. Please make sure to cover your furniture.

### Drywall connection



#### EN Work steps for drywall. Drywall connection with drywall anchor

##### First Step

Bring the product in final position and mark all screw-points.  
 Use a spirit level or have someone eyeball to make sure the holes are levelled.

##### Second Step

Use your drill and the 1/16" bit to make pilot holes for maximum 1 inch to all markings.

##### Third Step

Use your drill with a matching Phillips bit to drill the anchors into the drywall panel. Be careful to not damage the drywall panel.

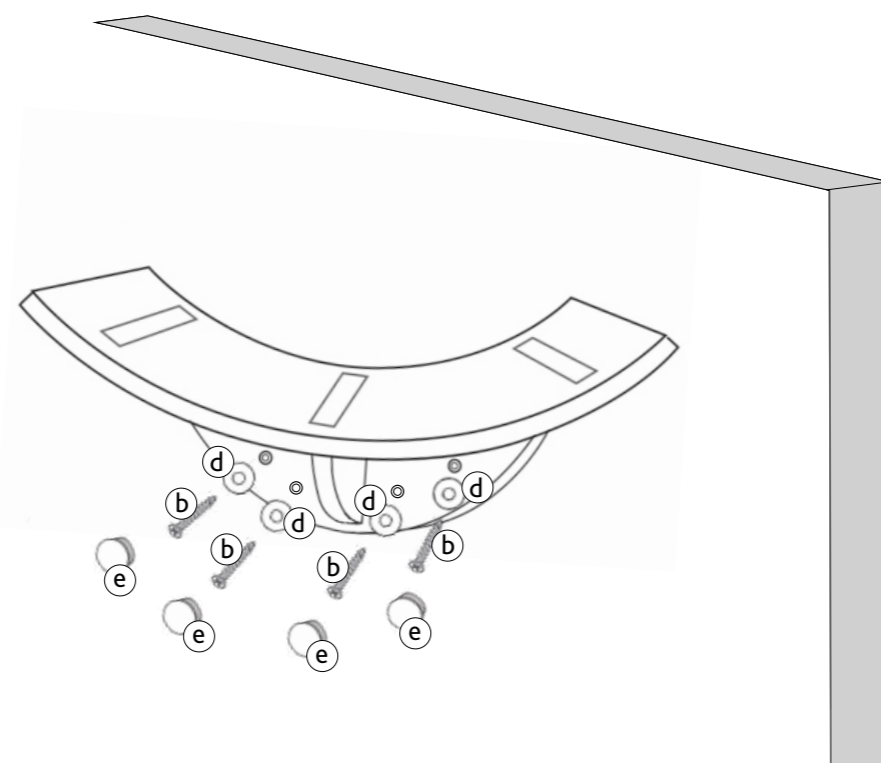
##### Fourth Step

Mount the board with attached metal screws and washers to the drywall anchors. Cover the screws with attached caps.

##### Advice:

Please note the secure assembly and mounting requires one adult person.  
 Drilling into drywall panel could cause dust. Please make sure to cover your furniture.

### Wooden wall connection



#### EN Work steps for wooden wall

##### First Step

Bring the product in final position and mark the screw-points in desired location. Use a spirit level or have someone eyeball to make sure the holes are levelled.

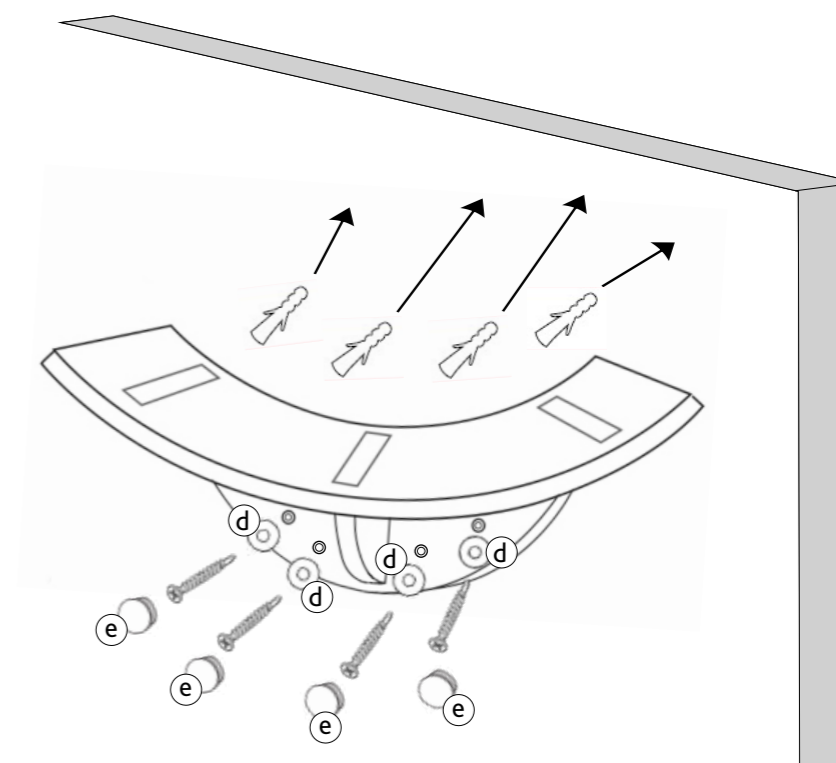
##### Second Step

Mount the board with attached wood screws and washers to the wall on screw-points. Cover the screws with attached caps.

##### Advice:

Please note the secure assembly and mounting requires one adult person.

### Stone wall connection



#### EN Work steps for stone wall

##### First Step

Bring the product in final position and mark the screw-points in desired location. Use a spirit level or have someone eyeball to make sure the holes are levelled.

##### Second Step

Drill 3/16" holes, be sure to keep the drill level.

##### Third Step

Insert 3/16" wall anchors (not included) into drilled holes (some anchors might require a hammer).

##### Fourth Step

Mount the board with screws matching stone wall anchor (not included) to the wall. Cover the screws with attached caps.

##### Advice:

Please note the secure assembly and mounting requires one adult person. Drilling into stone wall could cause dust. Please make sure to cover your furniture.