

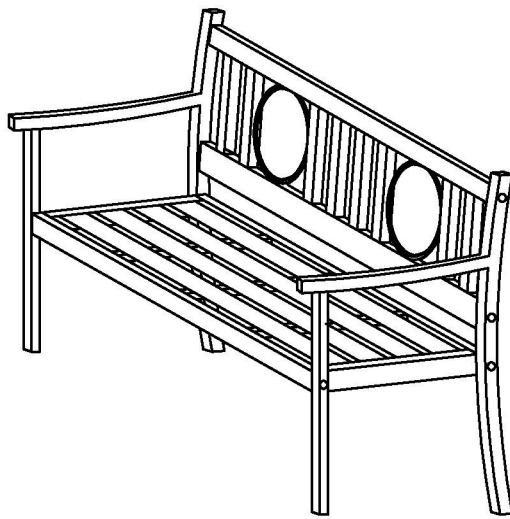


CAROLINA OUTDOORS

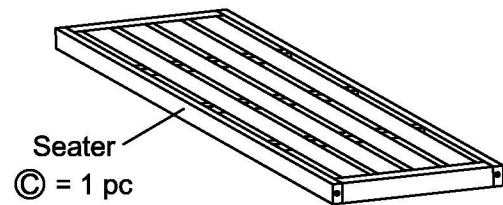
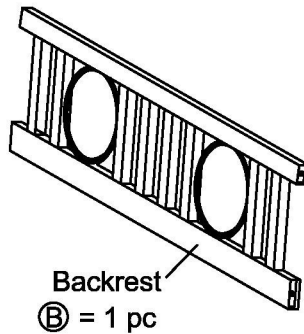
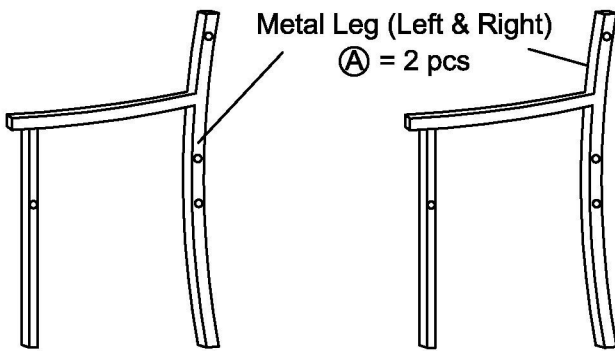
Thank you for purchasing this Carolina Outdoors Company product. This product has been designed for easy assembly and is constructed for durability. Please take the time to read and follow below steps to properly assemble and ready the product for its use. If you need further assistance please call us Toll Free at 1-800-228-3876.

Assembly Instructions

Item # : MBN4735 (Metal Outdoor Bench)



Part List



Hardware List

M8 x 2"
8 pcs

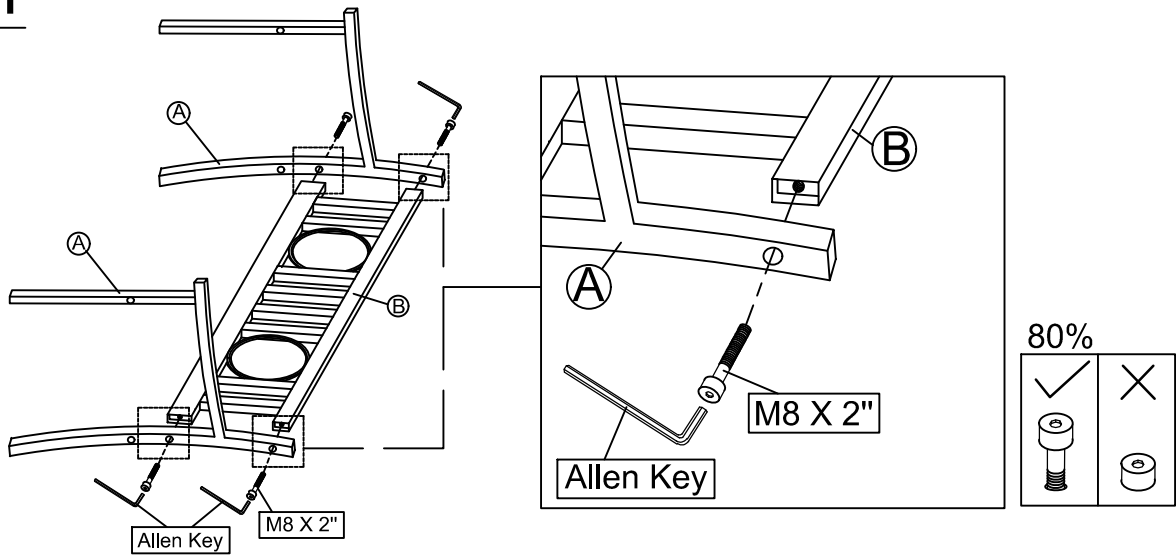
Allen Key
1 pc



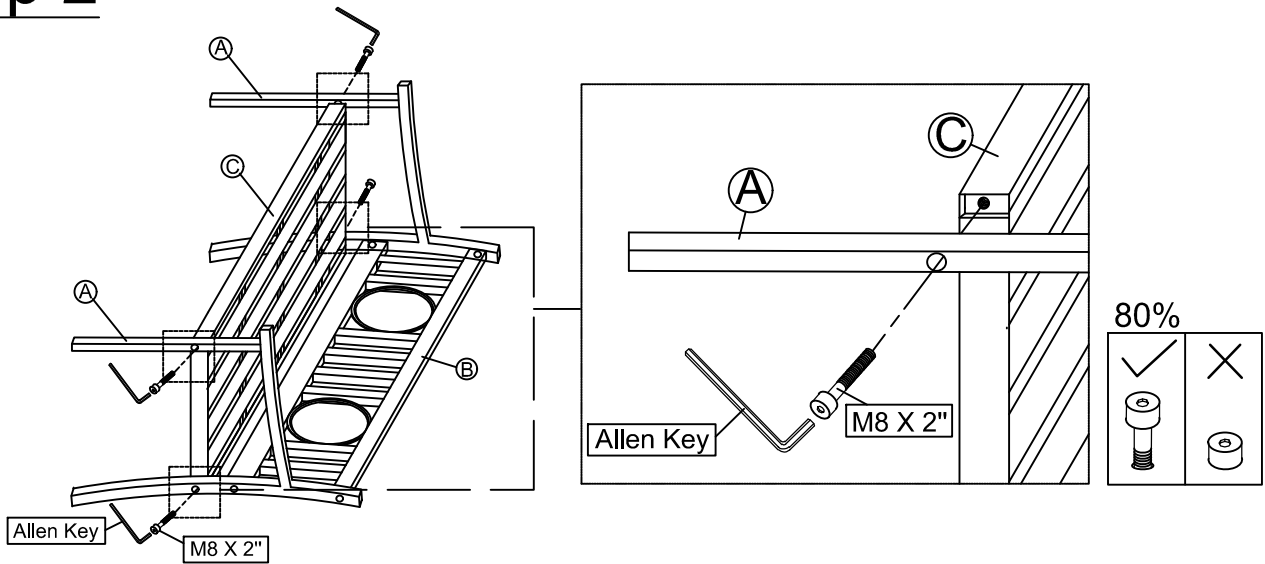
IMPORTANT NOTE :

- Place all parts on a clean and smooth surface such as a rug or carpet to avoid the parts from being scratched. Check to be sure that you have all parts and hardware. Remove all wrapping materials before you start to assemble. Do not tighten all screw / bolts until all completely assembled.
- Keep all hardware parts out of reach of children.
- **DO NOT TIGHTEN BOLTS / SCREWS UNTIL ALL COMPLETELY ASSEMBLED.**

Step 1



Step 2



Fully Setup

