

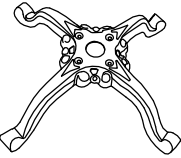
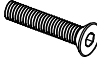

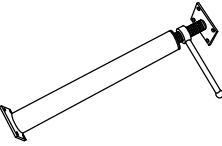


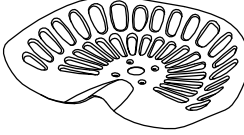

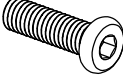
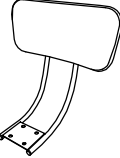


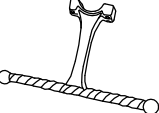



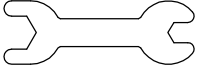


CAROLINA FORGE

Assembly Instructions Item # 3400WB TRACTOR SEAT STOOL WITH BACK



Thank you for purchasing a Carolina Forge company product. This product has been designed for easy assembly and is constructed for durability. Please take the time to read and follow the assembly instructions carefully. If a part or hardware is missing or you have any difficulties in assembling this product, please contact us Toll Free 1-800-228-3876.

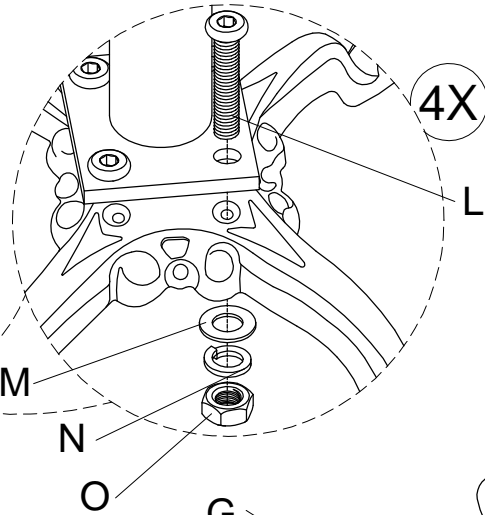
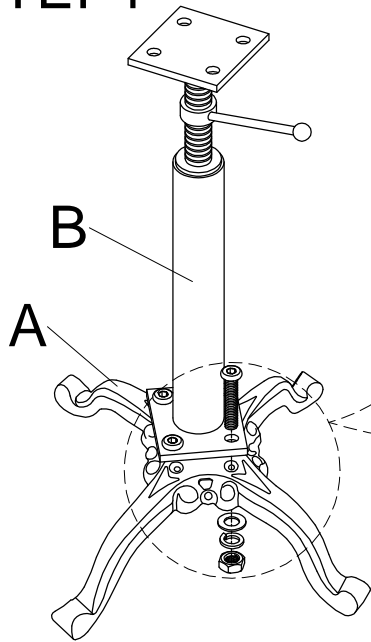
NO.	PART	DESCRIPTION	Q'TY	NO.	PARTS	DESCRIPTION	Q'TY
A		Base	1PC	G		Allen Head Bolt 1/4" x 1"	4PCS
				H		Flat Washer Ø12*T1.0	8PCS
B		Leg	1PC	I		Spring Washer Ø10	8PCS
				J		Hexagonal Nut 1/4"	8PCS
C		Seat	1PC	K		Allen Head Bolt 1/4" x 2"	4PCS
				L		Allen Head Bolt 5/16" x 1"	4PCS
D		Back	1PC	M		Flat Washer Ø20*T1.0	4PCS
				N		Spring Washer Ø12	4PCS
E		Foot Rest	1PC	O		Hexagonal Nut 5/16"	4PCS
				P		Allen Head Wrench 4MM	1PC
F		Bracket	1PC	Q		Open-end Wrench	1PC



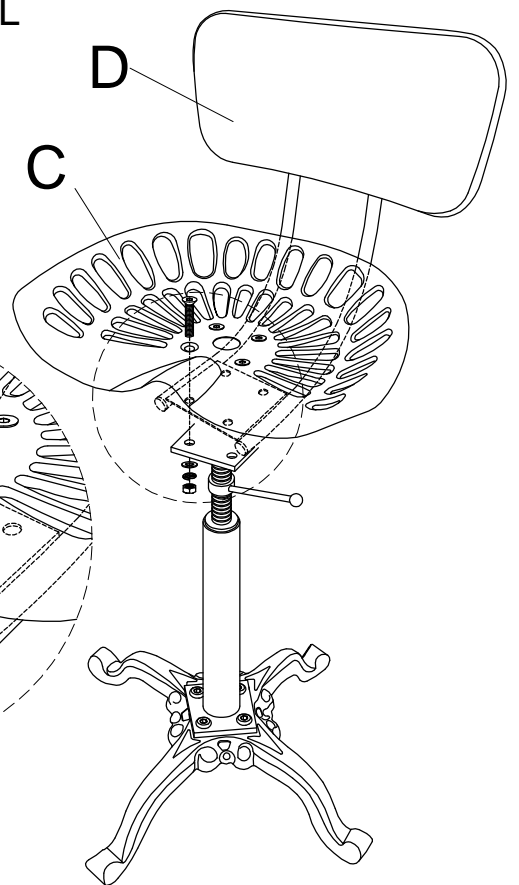
CAROLINA FORGE

Assembly Instructions
Item # 3400WB
TRACTOR SEAT STOOL WITH BACK

STEP 1



STEP 2



STEP 3

