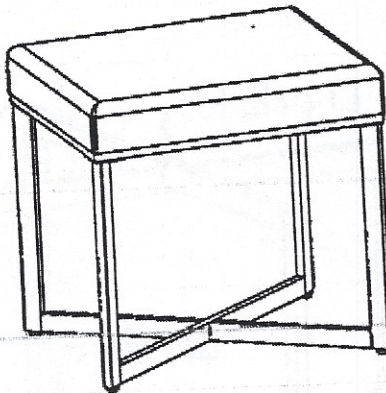


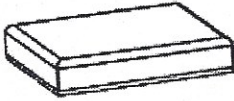






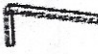

carolina living

Beautiful Modern Designs

Assembly Instructions
 Item # VB2016-WHTCHR
 VANITY BENCH



Thank you for purchasing a Carolina Living company product. This product has been designed for easy assembly and is constructed for durability. Please take the time to read and follow the assembly instructions carefully. If a part or hardware is missing or you have any difficulties in assembling this product, please contact us Toll Free 1-800-228-3876.

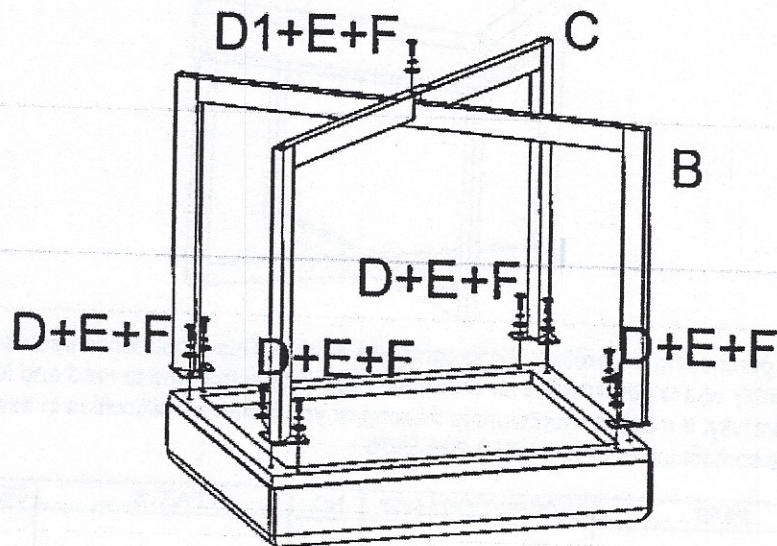
NO.	PART	DESCRIPTION	QTY	NO.	PARTS	DESCRIPTION	QTY
A		Cushion	1PC	E		spring washers	9PCS
B		Left Leg Assembly	1PC	F		Flat Washers	9PCS
C		Right Leg Assembly	1PC	G		Adjustable Feet	4PCS
D		Allen Head Bolt 16mm	8PCS	H		Allen Head Wrench	1PC
D1		Allen Head Bolt 25mm	1PC				

carolina living

Beautiful-Modern Designs

Assembly Instructions
Item # VB2016-WHTCHR

STEP 1



STEP 2

