

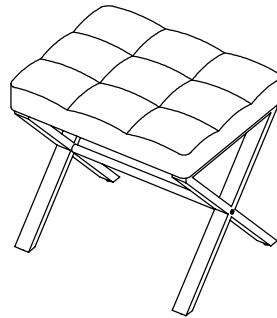
# carolina living

*Beautiful Modern Designs*

## Assembly Instructions

Item # VB1620

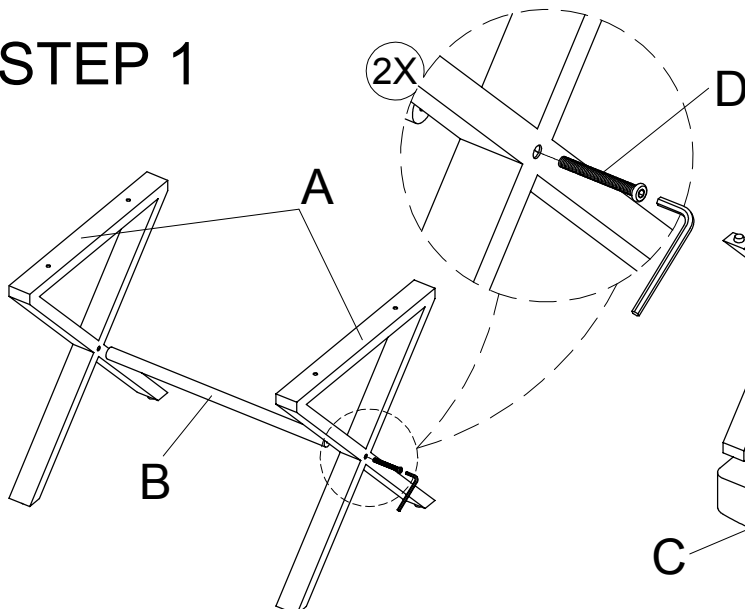
VANITY BENCH



Thank you for purchasing a Carolina Living company product. This product has been designed for easy assembly and is constructed for durability. Please take the time to read and follow the assembly instructions carefully. If a part or hardware is missing or you have any difficulties in assembling this product, please contact us Toll Free 1-800-228-3876.

NO.	PART	DESCRIPTION	Q'TY	NO.	PARTS	DESCRIPTION	Q'TY
A		Leg Assembly	2PCS	D		Allen Head Bolt 1/4" x 2"	2PCS
				E		Allen Head Bolt 1/4" x 1-1/4"	4PCS
B		Metal Rail	1PC	F		Spring Washer Ø10	4PCS
C		PU Seat	1PC	G		Flat Washer Ø12*T1.0	4PCS
				H		Allen Head Wrench 4MM	1PC

### STEP 1



### STEP 2

