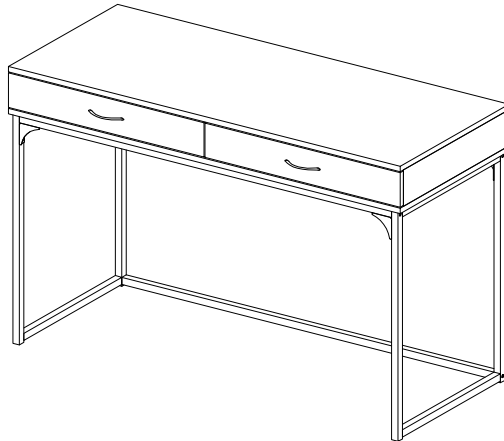


carolina living

Beautiful Modern Designs

Assembly Instructions

D4730W
Computer Desk



Thank you for purchasing a Carolina Living company product. This product has been designed for easy assembly and is constructed for durability. Please take the time to read and follow the assembly instructions carefully. If a part or hardware is missing or you have any difficulties in assembling this product, please contact us Toll Free 1-800-228-3876.

| NO. | PART | DESCRIPTION | Q'TY | NO. | PART | DESCRIPTION | Q'TY |
|-----|------|--------------------|------|-----|------|----------------------|------|
| A | | Top | 1PC | F | | Allen Head Bolt 15mm | 8PCS |
| B | | Left Leg Assembly | 1PC | G | | Allen Head Bolt 30mm | 6PCS |
| C | | Right Leg Assembly | 1PC | H | | Allen Head Bolt 40mm | 6PCS |
| D | | Top Support Rails | 2PCS | I | | Spring Washers | 8PCS |
| E | | Bottom Rail | 1PC | J | | Flat Washers | 8PCS |
| | | | | K | | Allen Head Wrench | 1PC |

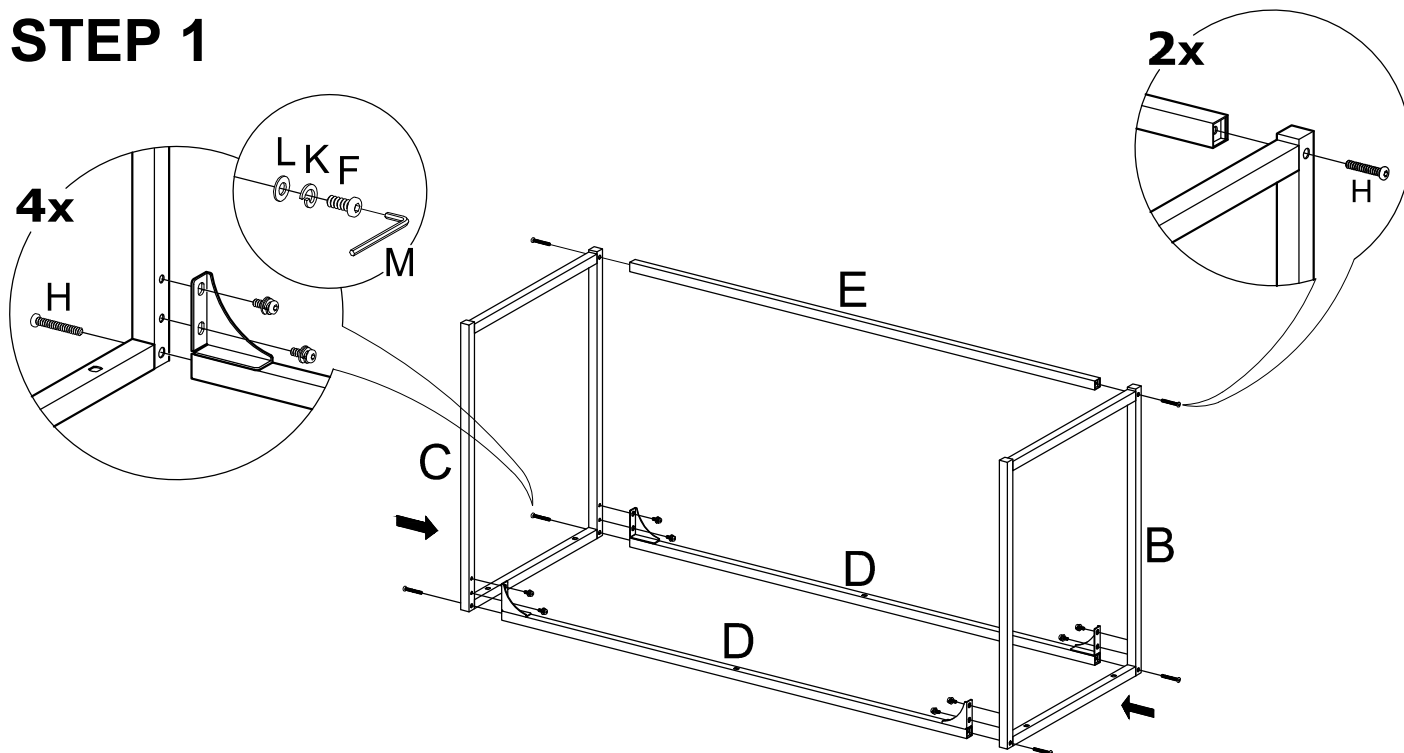
carolina living

Beautiful Modern Designs

Assembly Instructions

D4730W
Computer Desk

STEP 1



STEP 2

