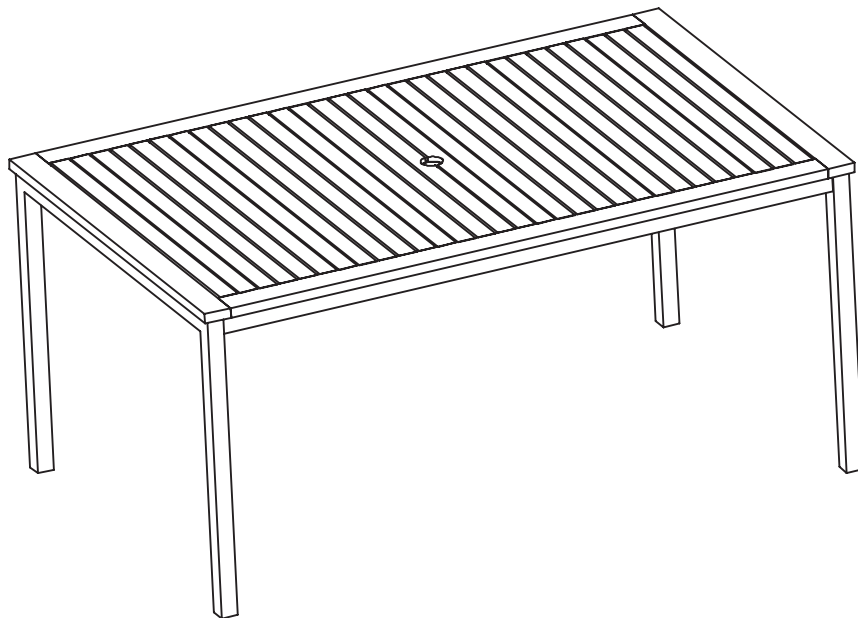




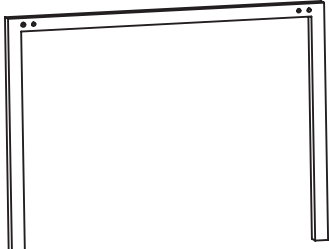
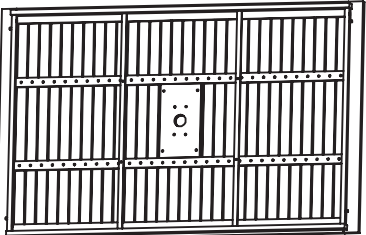
ASSEMBLY INSTRUCTIONS

ITEM NO.: CO6329-OIL

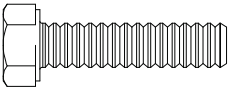
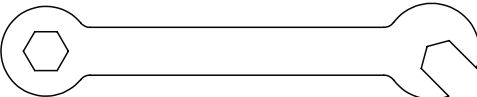
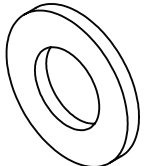


Thank you for purchasing a Carolina Outdoors company product. This product has been designed for easy assembly and is constructed for durability. Please take the time to read and follow the assembly instructions carefully. If a part or hardware is missing or you have any difficulties in assembling this product, please contact Customer Service at # support@carolinachairandtable.com or call us Toll-Free at 1-800-228-3876.

PART LIST

<p>A. LEGS X2</p> 	<p>B. TOP X1</p> 	
---	--	--

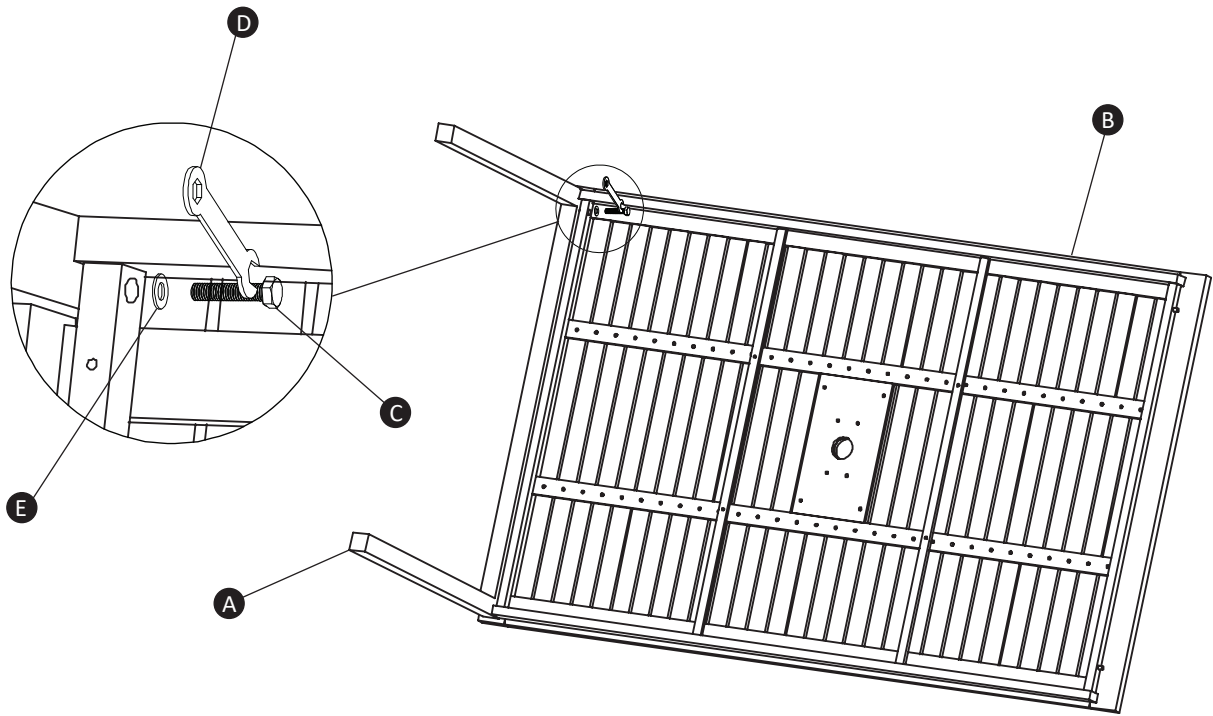
HARDWARE LIST

<p>C. BOLT X4</p>  <p>M10x40mm</p>	<p>D. WRENCHES X1</p>  <p>K17</p>	<p>E. WASHER X4</p>  <p>M10</p>
---	---	---

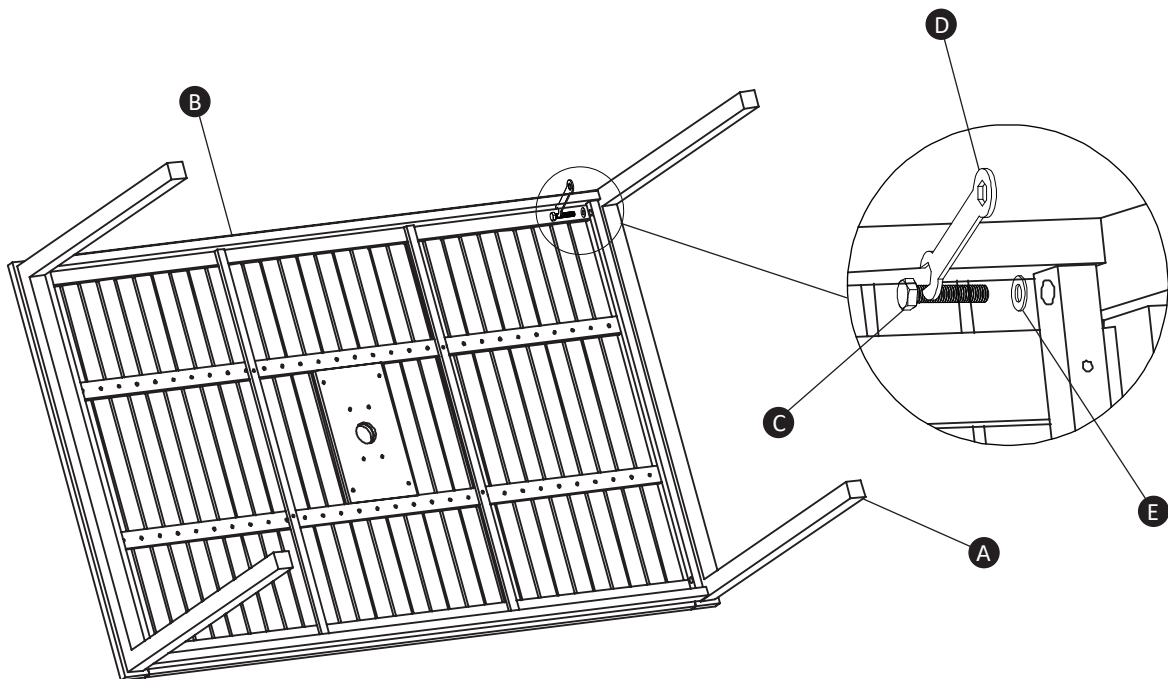
NOTE:

- ❖ Read these instructions carefully before assembling.
- ❖ Tools required : phillips screwdriver.
- ❖ Find a clean, smooth area on which to work, such as carpet, in order to avoid scratching the metal surface.
- ❖ Wait to dispose of the packing material until assembly is complete and all parts & hardware are accounted for.
- ❖ Two people might be required for assembly.

STEP 1



STEP 2



Thank you for your purchase. Our items are intended for residential use only. To clean and maintain your furniture we recommend dry dust with a soft clean cloth. Do not use harsh chemicals to clean your furniture as this could damage the protective top coat and/or finish.