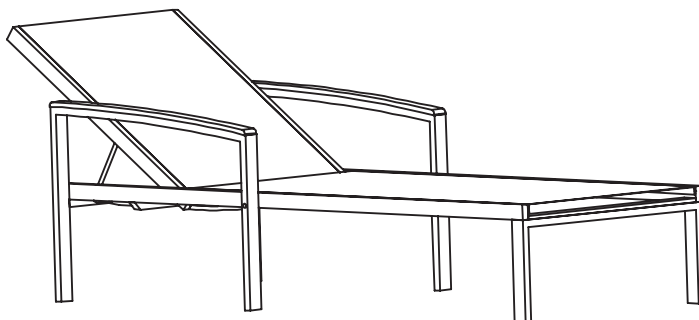




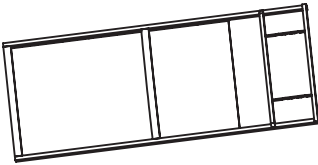
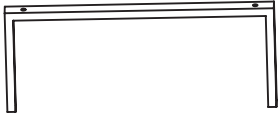
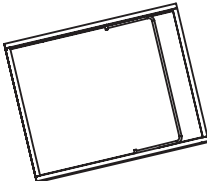


ASSEMBLY INSTRUCTIONS

ITEM NO.: CO7825-BLK/WHT








Thank you for purchasing a Carolina Outdoors company product. This product has been designed for easy assembly and is constructed for durability. Please take the time to read and follow the assembly instructions carefully. If a part or hardware is missing or you have any difficulties in assembling this product, please contact Customer Service at # support@carolinachairandtable.com or call us Toll-Free at 1-800-228-3876.

PART LIST

<p>A. SEAT X1</p> 	<p>B. FRONT X1</p> 	<p>C. BACK X1</p> 	<p>D. RIGHT LEGS X1</p> 
<p>E. LEFT LEGS X1</p> 			

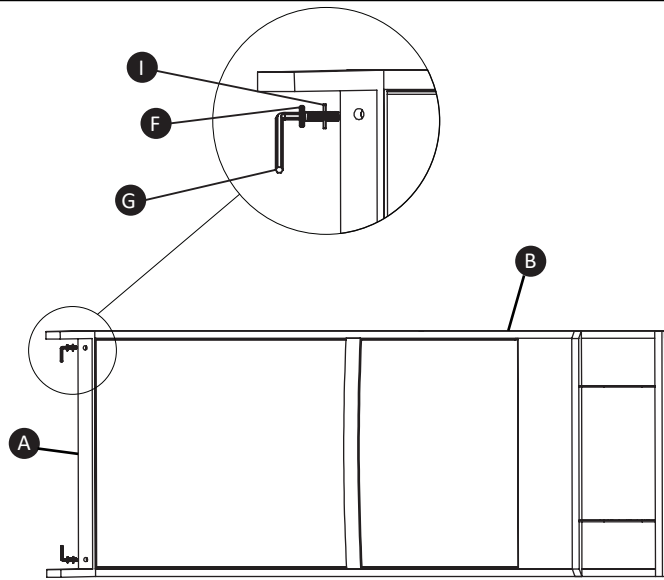
HARDWARE LIST

<p>F. BOLT X6</p>  <p>M8x35mm</p>	<p>H. BOLT X2</p>  <p>M8x40mm</p>	<p>G. ALLEN KEY X1</p>  <p>H4</p>	<p>I. WASHER X4</p>  <p>M6x35mm</p>
<p>J. WASHER X2</p>  <p>(Ø8x3)</p>			

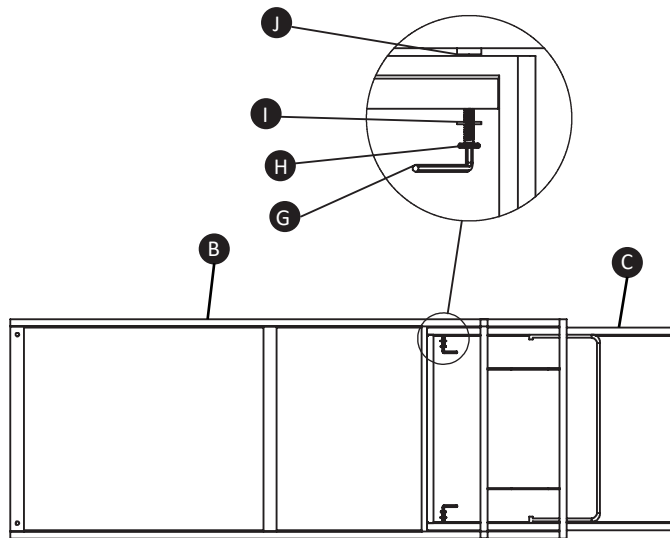
NOTE:

- ❖ Read these instructions carefully before assembling.
- ❖ Tools required : phillips screwdriver.
- ❖ Find a clean, smooth area on which to work, such as carpet, in order to avoid scratching the metal surface.
- ❖ Wait to dispose of the packing material until assembly is complete and all parts & hardware are accounted for.
- ❖ Two people might be required for assembly.

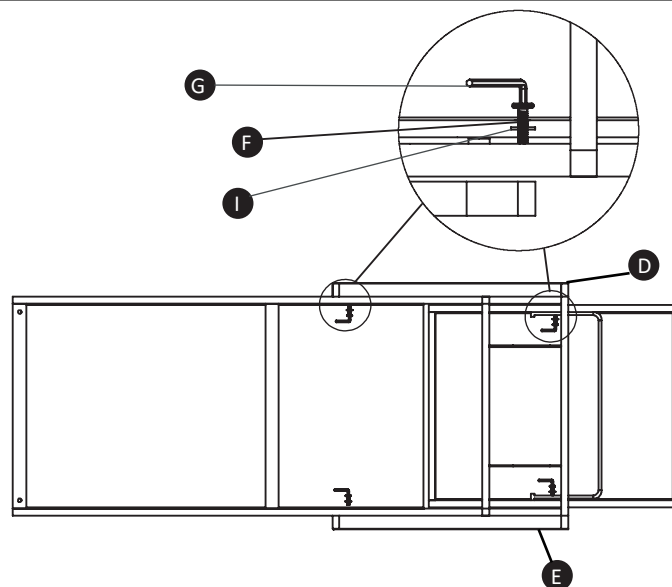
STEP 1



STEP 2



STEP 3



Thank you for your purchase. Our items are intended for residential use only. To clean and maintain your furniture we recommend dry dust with a soft clean cloth. Do not use harsh chemicals to clean your furniture as this could damage the protective top coat and/or finish.