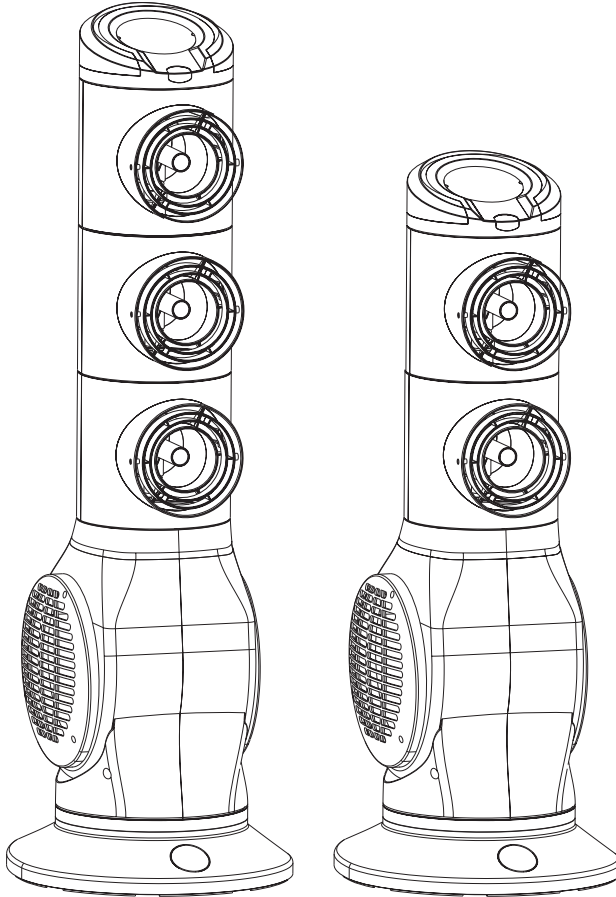




TEXAS TORNADO 2 TEXAS TORNADO 3

lifesmart® is a registered trademark of
Supply Chain Sources LLC., All Rights Reserved.

Customer number:
XXFN7000XX
XXFN7004XX



ATTACH YOUR RECEIPT HERE

Purchase Date _____ Serial Number (located on back of unit) _____



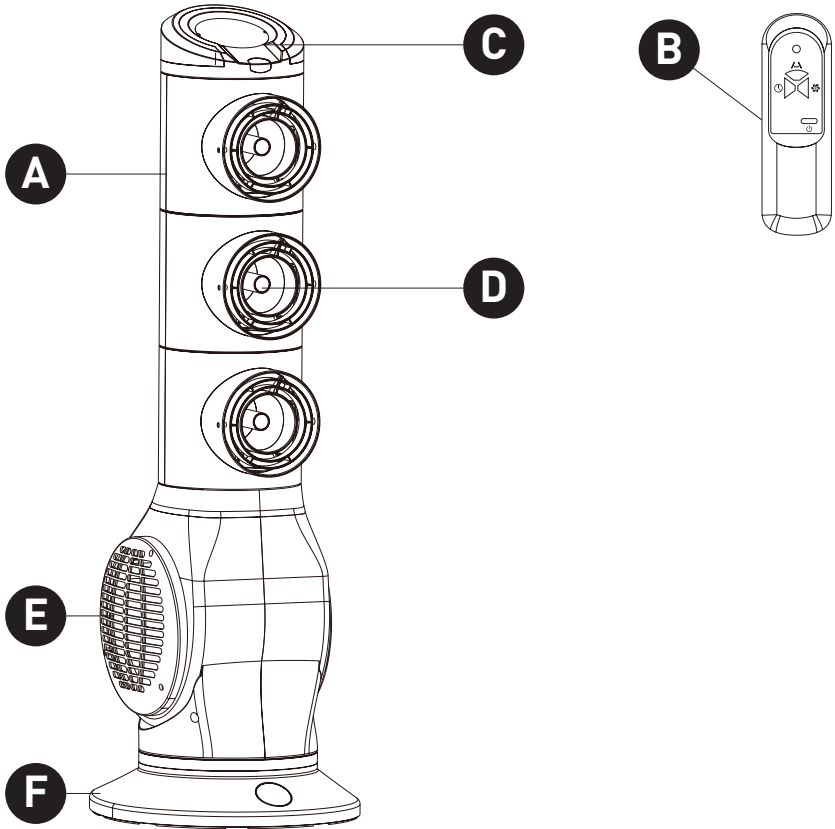
Questions, problems, missing parts? Contact technical support department at
657-341-0362, 9:00 a.m. - 5 p.m., PST, Monday - Friday or visit us online at
www.lifesmartcomfort.com
Please have your model and serial number ready



TABLE OF CONTENTS

Package Contents	3
Safety Information	4
Preparation	6
Remote Control.....	6
Control Panel.....	7
Operating Instructions	8
Care and Maintenance	9
One-Year Limited Warranty	10
Replacement Parts List	11

PACKAGE CONTENTS



PART	DESCRIPTION	QUANTITY
A	Cooling Fan	1
B	Remote Control	1
C	Control Panel (preassembled to Fan (A))	1
D	Adjustable Fan Port (preassembled to Fan (A))	3
E	Fan Intake Vent (preassembled to Fan (A))	1
F	Oscillating Fan Base (preassembled to Fan (A))	1

Please read and understand this entire manual before attempting to assemble, operate, or install the product.

⚠ IMPORTANT SAFETY INSTRUCTIONS ⚠

⚠ WARNING: POTENTIAL ELECTRICAL HAZARD IF NOT ADHERED TO. When using electrical appliances, basic precautions should always be followed to reduce the risk of fire, electric shock, and injury to persons, including the following:

- Make certain the power source conforms to the electrical requirements of the Fan. If unsure if your home meets this specification, consult a certified electrician prior to use. **Risk of fire, overheating, malfunction, property damage, injury, or even death may result if not adhered to!**
- Make certain that the room is equipped with a working smoke detector.
- Use this Fan only as described in this manual. Any other use not recommended by the manufacturer may cause fire, electrical shock, or injury to persons.
- To reduce the risk of personal injury and electric shock, the Fan should not be played with or placed where small children can reach it.
- Unplug power cord before installing, servicing, or moving the Fan.

DO NOT DEPEND ON THE ON/OFF SWITCH AS THE SOLE MEANS OF DISCONNECTING POWER WHEN SERVICING OR MOVING THE FAN. ALWAYS UNPLUG THE POWER CORD. ALWAYS TURN OFF AND UNPLUG FAN BEFORE LEAVING THE AREA. NEVER LEAVE CHILDREN UNATTENDED WHEN THE FAN IS ON OR PLUGGED IN.

- This Fan must **NOT** be used in potentially dangerous locations such as flammable, explosive, chemical-laden or wet atmospheres where gasoline, paint or flammable liquids are used or stored.
- **DO NOT** use Fan in or near a window. Rain may create an electrical hazard.
- Completely assemble Fan, according to instructions, before connecting to power supply.

This appliance has a polarized plug (one blade is wider than the other). To reduce the risk of electric shock, this plug is intended to fit in a polarized outlet only one way. Match wide blade of plug to wide slot. Fully insert. If the plug does not fit fully in the outlet, reverse the plug. If it still does not fit, contact a qualified electrician. DO NOT attempt to defeat this safety feature.

- Where possible, avoid the use of extension cords because the extension cord may overheat and cause a fire. If you must use an extension cord, minimize the risk of overheating by using the shortest cord possible and ensuring that it is UL listed. NEVER use a single extension cord to operate more than one Fan. Do not plug Fan into any other cord connected device, such as a power strip, cord reel, surge protector, multiple outlet adapters or outlet-type air fresheners. The use of such devices may create a fire hazard.
- **NEVER** operate any Fan with a damaged cord or plug or after the Fan malfunctions, has been dropped or damaged in any manner.
- **NEVER** insert or allow fingers or foreign objects to enter any ventilation or exhaust opening as it may cause an electric shock or fire, or damage the Fan. To reduce the risk of fire, **DO NOT** block or tamper with the Fan in any manner while it is in operation.
- Always place the Fan on a stable, flat, level surface when operating, to avoid the chance of the Fan overturning. Locate the Power Cord so the Fan or other objects are not resting on it. Do not run cord under carpeting. Do not cover cord with throw rugs, runners, or similar coverings. Do not route cord under furniture or appliances. Arrange cord away from traffic area and where it will not be tripped over.
- This Fan is not intended for use in wet or damp locations. Never locate a Fan where it may fall into a bathtub or other water container.

SAVE THESE INSTRUCTIONS

⚠ SAFETY INFORMATION

- **NEVER** operate any Fan with a damaged cord or plug or after the Fan malfunctions, has been dropped or damaged in any manner.
- **NEVER** insert or allow fingers or foreign objects to enter any ventilation or exhaust opening as it may cause an electric shock or fire, or damage the Fan. To reduce the risk of fire, **DO NOT** block or tamper with the Fan in any manner while it is in operation.
- Always place the Fan on a stable, flat, level surface when operating, to avoid the chance of the Fan overturning. Locate the Power Cord so the Fan or other objects are not resting on it. Do not run cord under carpeting. Do not cover cord with throw rugs, runners, or similar coverings. Do not route cord under furniture or appliances. Arrange cord away from traffic area and where it will not be tripped over.
- This Fan is not intended for use in wet or damp locations. Never locate a Fan where it may fall into a bathtub or other water container.
- **NEVER** use Fan where flammable liquids are used or stored.
- **NEVER** use Fan outdoors.
- This Fan is not suitable for use in agricultural facilities including areas where livestock, poultry or other animals are confined. Please refer to National Electric Code (NEC) Article 547-7 (2008), or applicable state or local codes or standards relating to electrical requirements for Agricultural Buildings. **THIS FAN DOES NOT MEET THE REQUIREMENTS OF NEC ARTICLE 547-7 (2008).**
- This Fan is not suitable for use in hazardous locations. Please refer to National Electric Code (NEC) Article 500 or applicable state or local codes or standards relating to electrical requirements for Hazardous locations. **THIS FAN DOES NOT MEET THE REQUIREMENTS OF NEC ARTICLE 500 (2008).**

⚠ WARNING: REDUCE THE RISK OF FIRE OR ELECTRIC SHOCK - DO NOT USE THIS FAN WITH ANY SOLID STATE SPEED CONTROL DEVICES.

SAVE THESE INSTRUCTIONS

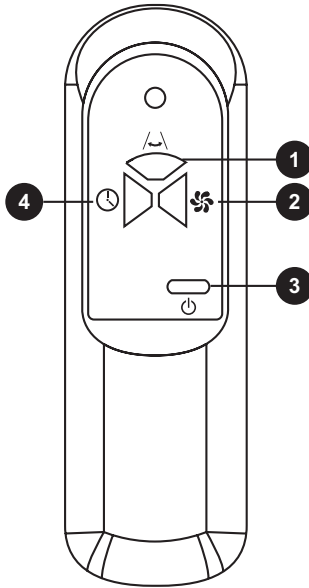
PREPARATION

⚠ NOTE: DUE TO THE HIGH VELOCITY OF AIR GENERATED BY THIS FAN, HEARING THE SOUND OF THE AIR IS NORMAL. FOR QUIETER OPERATION, USE LOW SPEED.

1. Carefully remove the fan from the plastic bag and carton.
2. Place the Fan on a firm level surface.
3. Insert two AAA batteries into the remote control before using (batteries not included).
4. Plug the cord set into a 120 volt outlet.

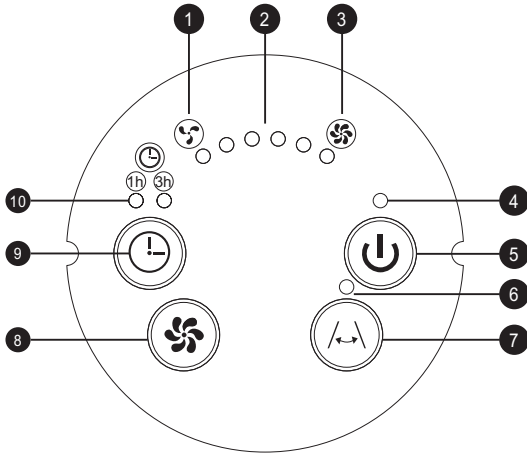
⚠ WARNING: Be sure that the plug fits tightly into outlet. When plugs fit loosely into receptacles, they may slip partially or completely out of the receptacle with only the slight movement of the attached cord. Receptacles in this condition may overheat and pose a serious fire hazard; if covered by a curtain or drape, the fire hazard is even greater.

REMOTE CONTROL



PART	NAME	DESCRIPTION
1	Oscillation Button	Engages or Disengages the unit's oscillation feature
2	Fan Speed Button	Cycles between the variable fan speed settings
3	Power Button	Powers the Fan on or off
4	Timer Button	Engages the timer function and sets the length of operation between 1 or 3 hours.

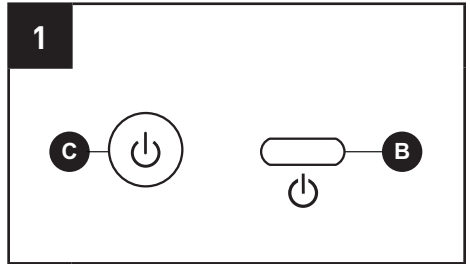
CONTROL PANEL



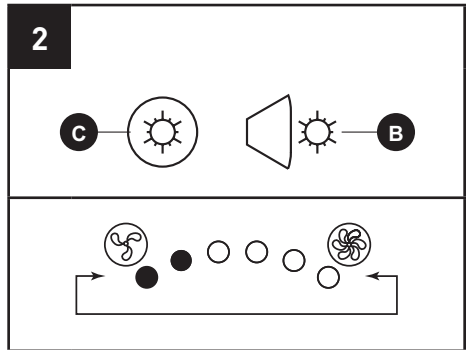
PART	NAME	DESCRIPTION
1	Low Fan Speed Icon	LED Indicator lights in section 1-3 indicates lower fan speeds.
2	Speed Indicator Light	Indicates the set fan speed 1-6
3	High Fan Speed Icon	LED Indicator lights in section 3-6 indicates higher fan speeds.
4	Power Indicator Light	Indicates when the unit is receiving power from the wall outlet
5	Power Switch Button	Powers the Fan ON or OFF
6	Oscillation Indicator Light	Indicates when the oscillation feature is ON or OFF
7	Oscillation Button	Engages or Disengages the unit's oscillation feature
8	Fan Speed Button	Cycles between the variable fan speed settings
9	Timer Button	Engaes the timer function and sets the length of operation
10	1 or 3 Hour Timer Indicator Light	Indicates when the unit's set off timer is 1 or 3 hours

OPERATING INSTRUCTIONS

1. Turn the Fan on or off by pressing the Power button on the control panel (C) or by pressing the Power button on the remote control (B).

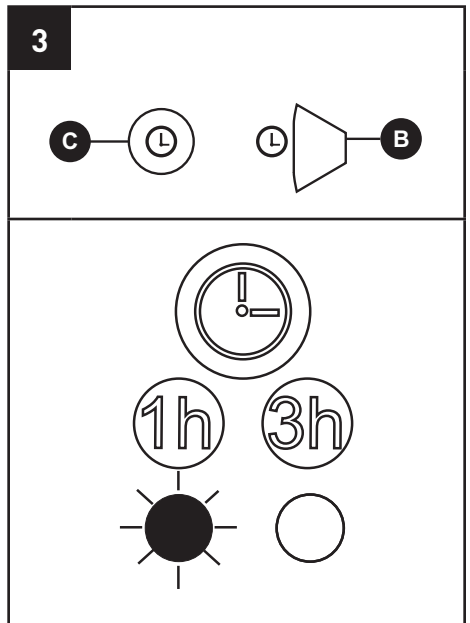


2. Select a fan speed setting by pressing the FAN button repeatedly to select a fan speed setting on either the control panel (C) or the remote control (B).



Note: There are a total of 6 fan speeds.

3. To set the timer to power off the fan, start the unit and press the Timer button on the control panel (C) or remote control (B).



Note: The timer-power-off function can only be set when the fan is in power-on mode. Pressing the Timer button will set the Fan to power off within 1-Hour.

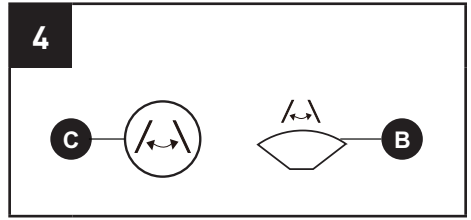
Pressing the Timer button a second time will set the Fan to power off within 3-Hours.

Pressing the Timer button a third time will disengage the timer off function.

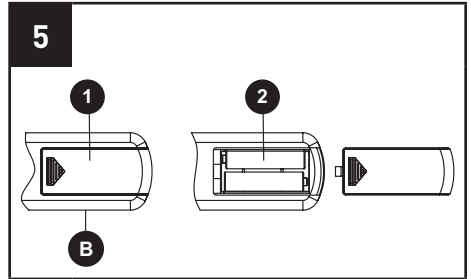
The Timer light turns on when the timer is set.

OPERATING INSTRUCTIONS

4. Turn the oscillation mode on or off by pressing the oscillation button on the control panel (C) or by short pressing the oscillation button on the remote control (B).



5. To replace the batteries, remove the battery cover (1) from the remote (B) by applying pressure to the battery cover (1) and sliding it away from the remote (B). Insert two AAA batteries (not included) (2) and close the remote by placing the battery cover (1) back on the remote (B).



Note: Do not mix old and new batteries. Do not mix alkaline, standard (carbon-zinc), or rechargeable (NiCad, Ni-Mh, etc) batteries.

CARE AND MAINTENANCE

⚠ WARNING: To reduce the risk of electrical shock and fire please observe the following instructions:

1. Always unplug the cord before moving, servicing or cleaning.
2. NEVER place the Fan in or near water.
3. Clean the Fan only with a vacuum equipped with a brush attachment; the vacuum will remove the lint and dirt from inside the Fan.
4. NEVER attempt to take apart the Fan
5. Clean the body of the Fan with a soft cloth only.
6. NEVER use ALCOHOL or SOLVENTS such as gasoline, benzene, paint thinner, or other harsh cleaners.

CAUTION: DO NOT let liquid enter the FAN.

STORAGE: Store the Fan with these instructions, in the original carton in a cool, dry place.

ONE-YEAR LIMITED WARRANTY

The manufacturer warrants this product against defects in materials and workmanship on functional parts, for a period of 1 year from the original date of purchase. Your sales receipt showing the date of purchase of the product is your proof of purchase. Keep it in a safe place for future reference. This warranty is subject to personal use only, commercial or rental applications will not be covered.

This product is made with the highest quality materials and is warranted to be free from defects in materials and workmanship at the time of purchase. This limited warranty applies to products manufactured or distributed by the manufacturer, are delivered in the continental United States or Canada and extends to the original purchaser, or gift recipient. This warranty becomes valid at the time of purchase and terminates either by the specified time frame listed above and/or owner transfer. Any refunds or monetary compensations must be claimed through the place of purchase (retailer), and not through the manufacturer. Any extended warranties (warranties that cover above and beyond this manufacturer warranty) that are sold through a retailer or third party, are not directly correlated with this products' limited warranty, and may be redirected to said retailer or third party for coverage.

This warranty extends through the manufacturer of the product, and covers functional parts only. Cosmetics are not covered, unless unequivocally determined it is a workmanship defect. Shipping damage should be addressed with the shipping company, retailer, or place of purchase, not the manufacturer unless the manufacturer was the direct shipper.

The manufacturer's sole obligation under this warranty shall be limited to furnishing the original purchaser replacement parts for units deemed repairable by the supplier's warranty department. The purchaser is responsible for insuring any parts shipped or returned, if desired. The purchaser is responsible to prepay any shipping charges (both ways) including, but not limited to taxes and duties. All exchanged parts and products replaced under this warranty will become the property of manufacturer. The manufacturer reserves the right to change manufacturers of replacement parts or products for use, in order to cover any existing warranty.

The purchaser may be asked to provide the supplier with proof of purchase documents (including the date of purchase) if requested. Any evidence of alteration, erasing, or forgery of proof of purchase documents will be just cause to VOID this limited warranty. Products, in which the serial number has been defaced or removed are not eligible for warranty coverage.

This warranty does not apply if the unit has been subject to negligence, fabrication, misuse, abuse, or repairs, alteration by non-manufacturer authorized personnel, inappropriate installations, or any case beyond the control of the manufacturer. Examples of warranty invalidation may also include, but are not limited to:

- Use of lacquer or paints in (and around) the Product
- Product placed on non-approved surfaces
- Electrical requirement deficiencies (15-20 amp dedicated outlet)
- Use on extension cords/timers/surge protectors/GFCI
- Outdoor applications
- Normal wear/tear/weathering
- Pet/consumer accidents
- Purchases from dealers unauthorized by the manufacturer (Authorization in writing)

The manufacturer shall not be liable for any loss due to use (or misuse) of the Product or other incidental or consequential costs, expense or damages without irrefutable foundations. Under no circumstances shall the manufacturer or any of its representatives be held liable for injury to any person or damage to any property, however arising. Any implied warranty shall have duration equal of the applicable warranty stated above. Specifications are subject to change without notice or obligation.

This limited warranty gives the original purchaser specific legal rights. Other rights may vary from state to state.



REPLACEMENT PARTS LIST

For replacement parts, call our technical support department at **657-341-0362, 9:00 a.m. - 5 p.m., PST, Monday - Friday**

PLEASE REMEMBER TO REGISTER YOUR WARRANTY:
web: www.lifesmartcomfort.com
email: cs@scsources.com

Printed in China

lifesmart® is a registered trademark
of Supply Chain Sources., All Rights Reserved.