

Repair Parts Manual
YTH22V46/96045006101

Please read the operator's manual carefully and make sure you understand the instructions before using the machine.



English



529 67 52-01

HOW TO USE THIS MANUAL

This manual is designed to provide the customer with a means to identify the parts on his/her tractor when ordering repair parts. The illustrations may or may not represent the actual assemblies; therefore, it is not recommended to use this manual as a guide to assemble or disassemble the tractor. Some hardware and parts are drawn larger in order to more readily identify them.

Each tractor has its own model number. The model number for your tractor can be found on the fender under the seat.

Support / Help

If you require assistance or have questions concerning the application, operation, maintenance or parts for your product:

- Visit our website: www.husqvarna.com
- Call Us Toll Free: 1-800-487-5951

When ordering parts, always give the following information:

- Product - "TRACTOR"
- MODEL NUMBER - "YTH22V46" (96045006101)"
- Part Number
- Part Description

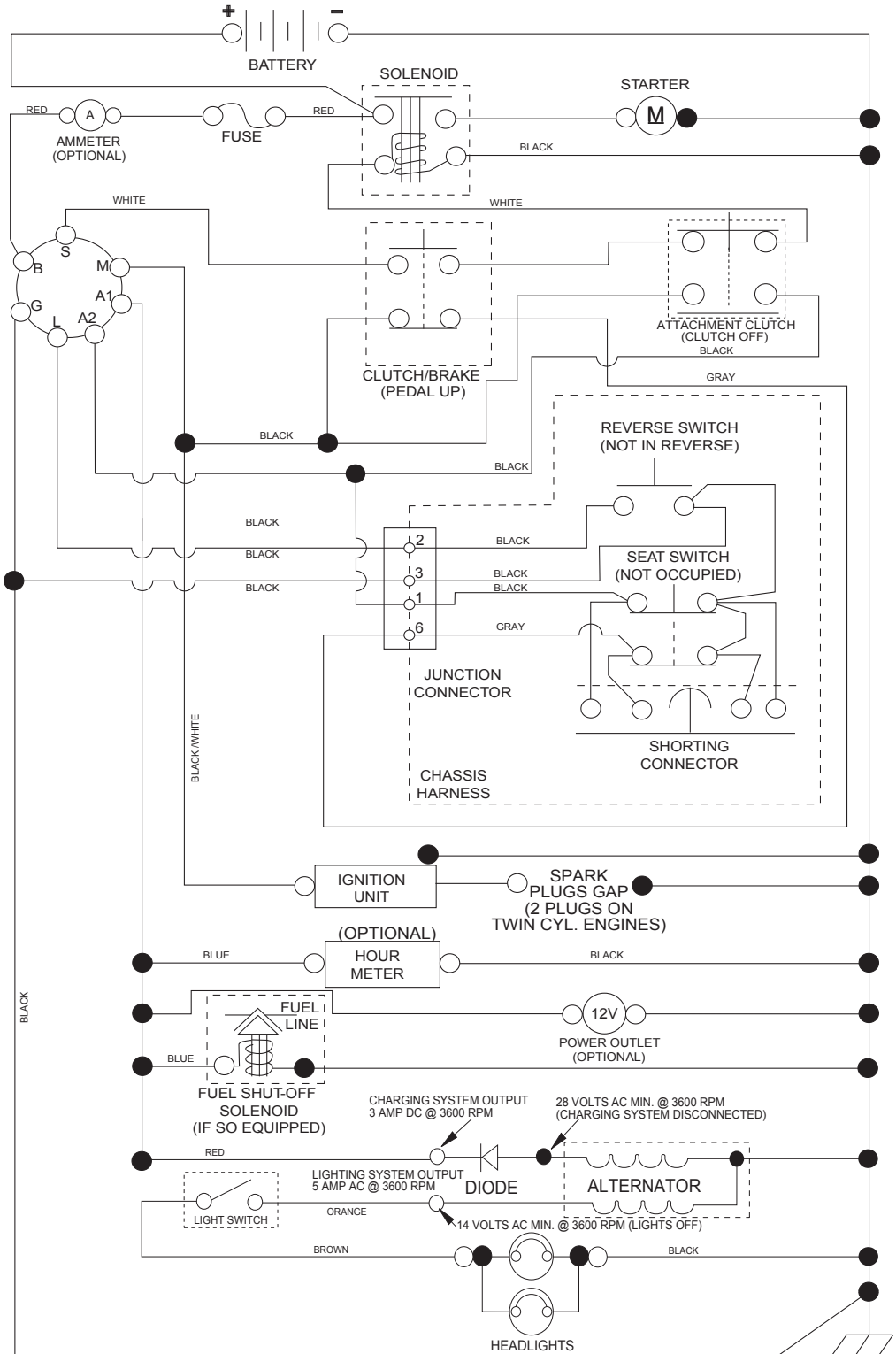
TABLE OF CONTENTS

SCHEMATIC	3
ELECTRICAL	4-5
CHASSIS	6-7
DRIVE	8-9
ENGINE	10-11
STEERING	12-13
MOWER DECK	14-15
MOWER LIFT	16
SEAT	17
DECALS	18

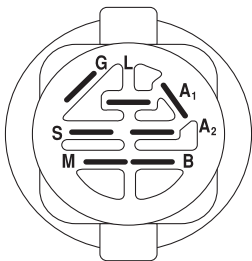
TRACTOR - MODEL NO. YTH22V46 (96045006101), PRODUCT NO. 960 45 00-61

SCHEMATIC

SCH11

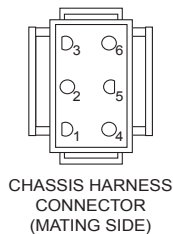


NOTE
YOUR TRACTOR IS EQUIPPED WITH A SPECIAL ALTERNATOR SYSTEM. THE LIGHTS ARE NOT CONNECTED TO THE BATTERY, BUT HAVE THEIR OWN ELECTRICAL SOURCE. BECAUSE OF THIS, THE BRIGHTNESS OF THE LIGHTS WILL CHANGE WITH ENGINE SPEED. AT IDLE THE LIGHTS WILL DIM. AS THE ENGINE IS SPEEDED UP, THE LIGHTS WILL BECOME THEIR BRIGHTEST.

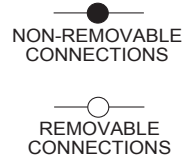


IGNITION SWITCH

POSITION	CIRCUIT	"MAKE"
OFF	M+G+A1	
RUN/OVERRIDE	B+A1	
RUN	B+A1	L+A2
START	B + S + A1	



WIRING INSULATED CLIPS
NOTE: IF WIRING INSULATED CLIPS WERE REMOVED FOR SERVICING OF UNIT, THEY SHOULD BE RE-INSTALLED TO PROPERLY SECURE YOUR WIRING.



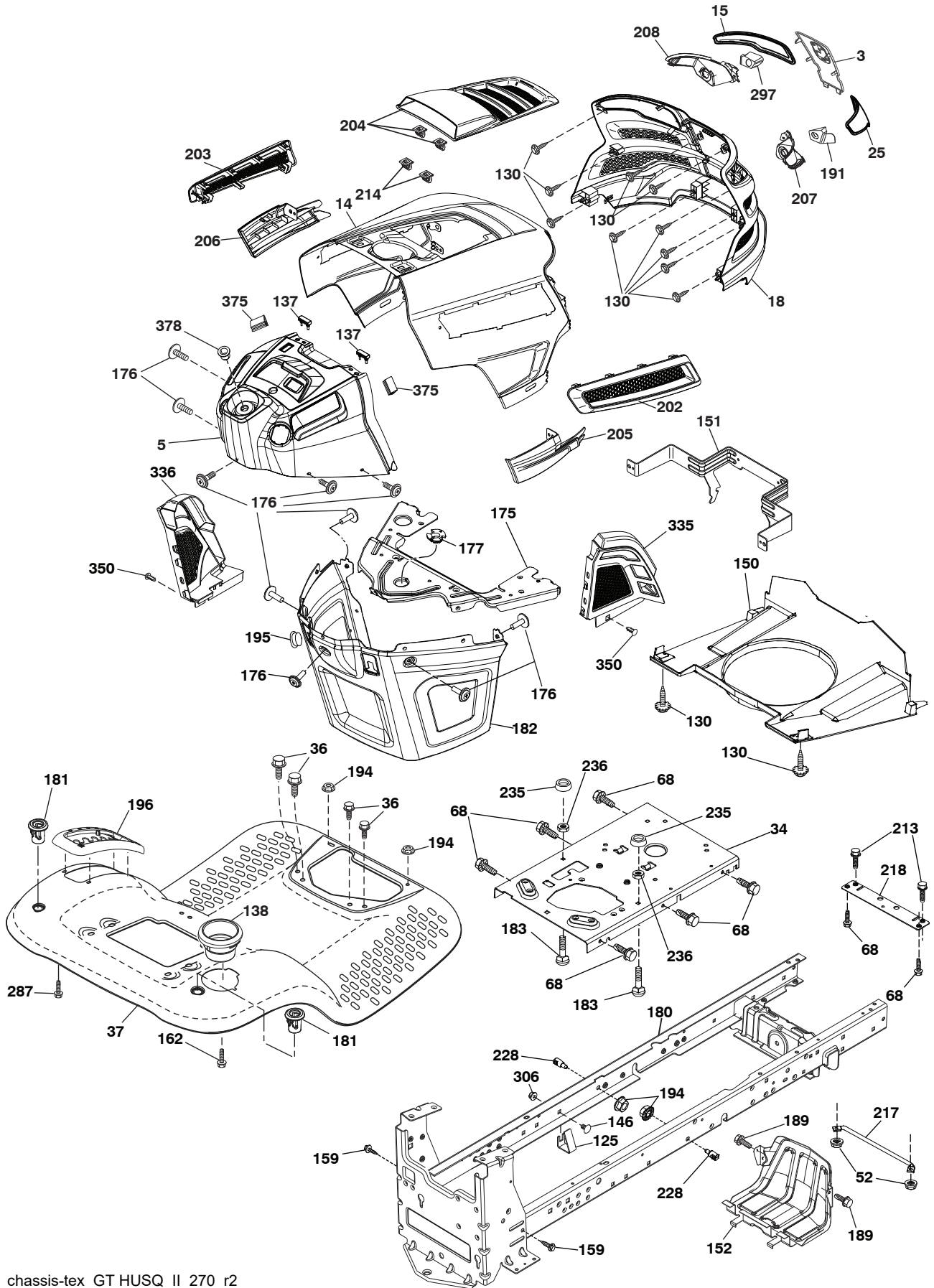
TRACTOR - MODEL NO. YTH22V46 (96045006101), PRODUCT NO. 960 45 00-61
ELECTRICAL

KEY NO.	PART NO.	DESCRIPTION
1	532 16 34-65	Battery
2	874 76 04-12	Bolt Hex Head 1/4-20 x 3/4
8	532 19 32-28	Box Battery
16	532 17 61-38	Switch Interlock Push-In
21	532 40 02-52	Harness Socket Light w/4152J
22	532 00 41-52	Bulb Light
25	581 49 80-01	Cable Starter
26	532 17 51-58	Fuse
27	596 13 36-01	Locknut, Keps. 1/4-20
28	532 42 16-86	Cable, Ground
29	532 40 15-45	Switch, Seat
30	532 19 33-50	Switch, Ign
33	532 41 19-35	Key/Chain
34	532 11 07-12	Switch Light/Reset
40	581 02 31-01	Harness Ign. Dash
43	582 04 28-02	Solenoid, W/Brass, Plunger, ZN
46	594 91 91-01	Hourmeter Delta
55	817 06 05-12	Screw Thdrol 5/16-18 x 3/4 TYTT
71	501 13 37-01	Harness Ign. Chassis
79	532 17 52-42	Socket Asm. Bulb
87	532 19 78-02	Switch Interlock
90	532 43 53-95	Cover Terminal
99	817 67 04-12	Screw Hexwsh
102	532 40 44-54	Harness Pigtail
105	532 40 75-68	Switch Reverse
106	532 17 48-14	Pal Nut 1/4 Lugs

NOTE: All component dimensions given in U.S. inches
1 inch = 25.4 mm

TRACTOR - MODEL NO. YTH22V46 (96045006101), PRODUCT NO. 960 45 00-61

CHASSIS



chassis-tex_GT HUSQ_II_270_r2

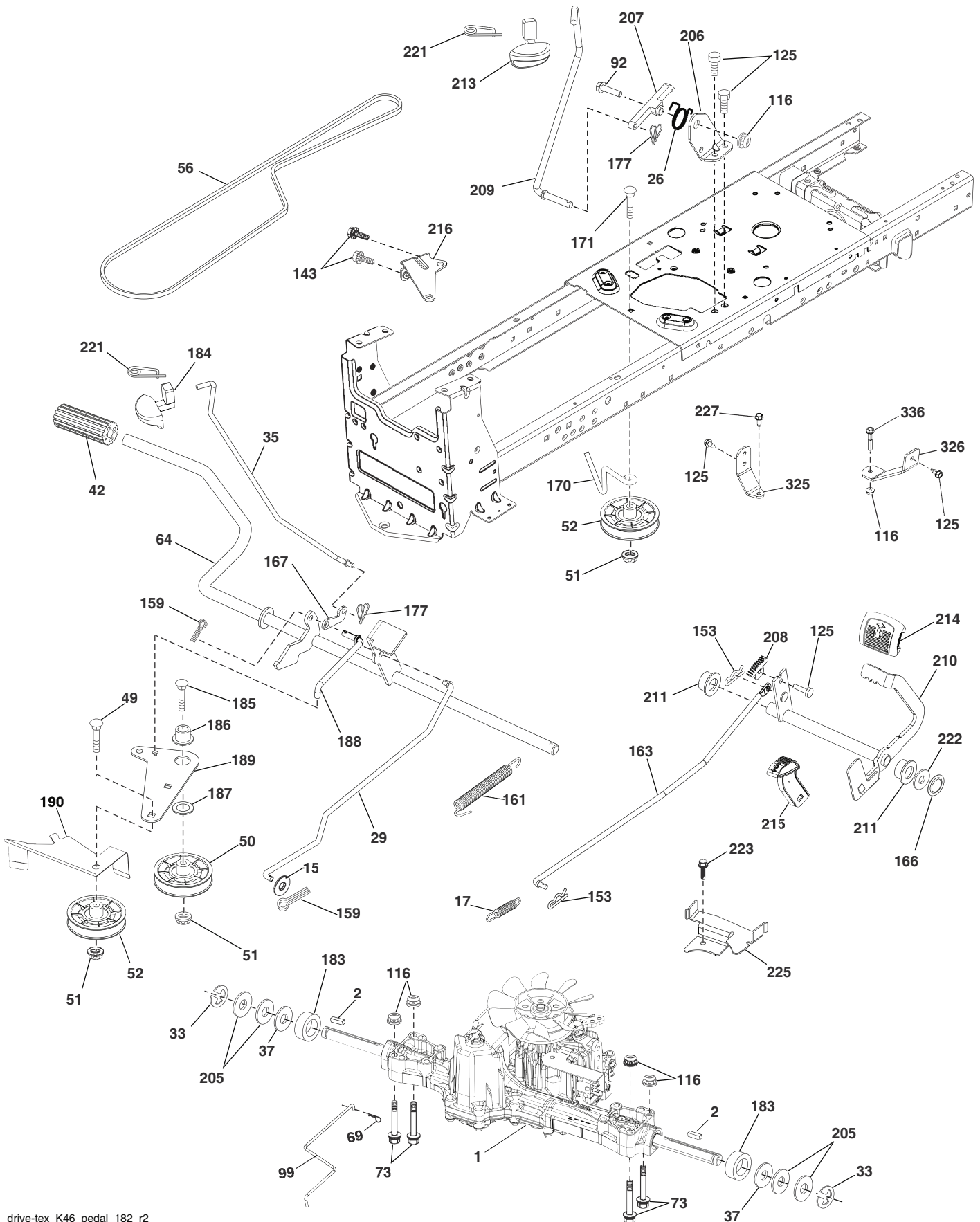
TRACTOR - MODEL NO. YTH22V46 (96045006101), PRODUCT NO. 960 45 00-61

CHASSIS

KEY NO.	PART NO.	DESCRIPTION	KEY NO.	PART NO.	DESCRIPTION
3	532 44 44-81	Applique Sub Asm.	191	532 43 74-55	Insert Reflective RH
5	590 74 88-18	Dash	194	596 13 57-01	Nutlock, Prvl, Torq. 5/16-18 x .68
14	532 44 11-77	Hood	195	532 40 41-37	Plug Hole Dash Lower
15	532 43 97-33	Lens LH	196	532 43 96-47	Console Asm. Deck Lift
18	597 24 72-01	Grille.Asm. GT	202	532 43 97-28	Vent Side Hood RH
25	532 44 33-85	Lens RH	203	532 43 97-27	Vent Side Hood LH
34	580 91 08-01	Plate Engine	204	587 48 58-01	Vent, Top, Asm. (includes clips)
36	817 06 05-12	Screw 5/16-18 x 3/4	205	532 43 97-30	Skirt Hood Side RH
37	532 44 12-06	Fender	206	532 43 97-29	Skirt Hood Side LH
52	596 04 05-01	Nutlock, Hex. Prvl. 5/16-18	207	587 46 48-01	Bezel RH
68	596 03 07-01	Screw, Hexagon, 5/16-18 x 1/2	208	587 46 45-01	Bezel LH
125	581 68 48-01	Clip Fuel Line	213	596 03 05-01	Bolt, Hex. Hd. 5/16-18 unc x 3/4
130	596 32 17-01	Screw, #10 x 0.750 BOS Thread	214	532 19 91-45	Clip Retainer Tinner
137	532 40 75-90	Bumper Dash	217	532 40 91-67	Rod Pivot
138	532 43 97-47	Cupholder	218	532 19 63-95	X-Piece Hood Stop
146	581 85 79-01	Bolt RDH SHT SQNK 3/8-16 x 5/8	228	593 82 40-01	Stud, W/"D" Anti-rotation
150	532 43 97-74	Air Duct	235	596 56 42-01	Spacer, Fender, Clr. Zn
151	532 43 66-70	Bracket Pivot	236	873 93 05-00	Nut Lock 5/16-18 unc
152	532 43 98-70	Shield Browning	287	817 60 04-06	Screw 1/4-20 x 3/8
159	817 00 06-12	Screw Hexwsh Thrd 3/8-16 x 3/4	297	532 43 74-56	Insert Reflective LH
162	596 13 41-01	Screw, Hex. Tap. 1/4-15 x 1/2	306	873 90 06-00	Nut Lock Flange 3/8-16 unc
175	590 60 77-02	Crossmember	335	532 44 82-04	Cover RH
176	532 40 07-76	Screw 10-24 x 5/8	336	532 44 53-09	Cover LH
177	532 19 52-28	Bushing Steering	350	532 44 51-43	Clip X-mas Tree
180	532 19 54-57	Chassis	375	586 90 82-01	Dash Clip-On Bumper
181	532 43 97-46	Bushing Mtg. Fender Crgo	378	590 84 98-01	Bushing, Flange, Plastic
182	532 40 68-59	Dash Lower			
183	595 30 57-01	Screw, Hexagon, 5/16-18 x 1-1/4			
189	817 00 05-12	Screw 5/16-18 x 3/4			

NOTE: All component dimensions given in U.S. inches
1 inch = 25.4 mm

TRACTOR - MODEL NO. YTH22V46 (96045006101), PRODUCT NO. 960 45 00-61
DRIVE



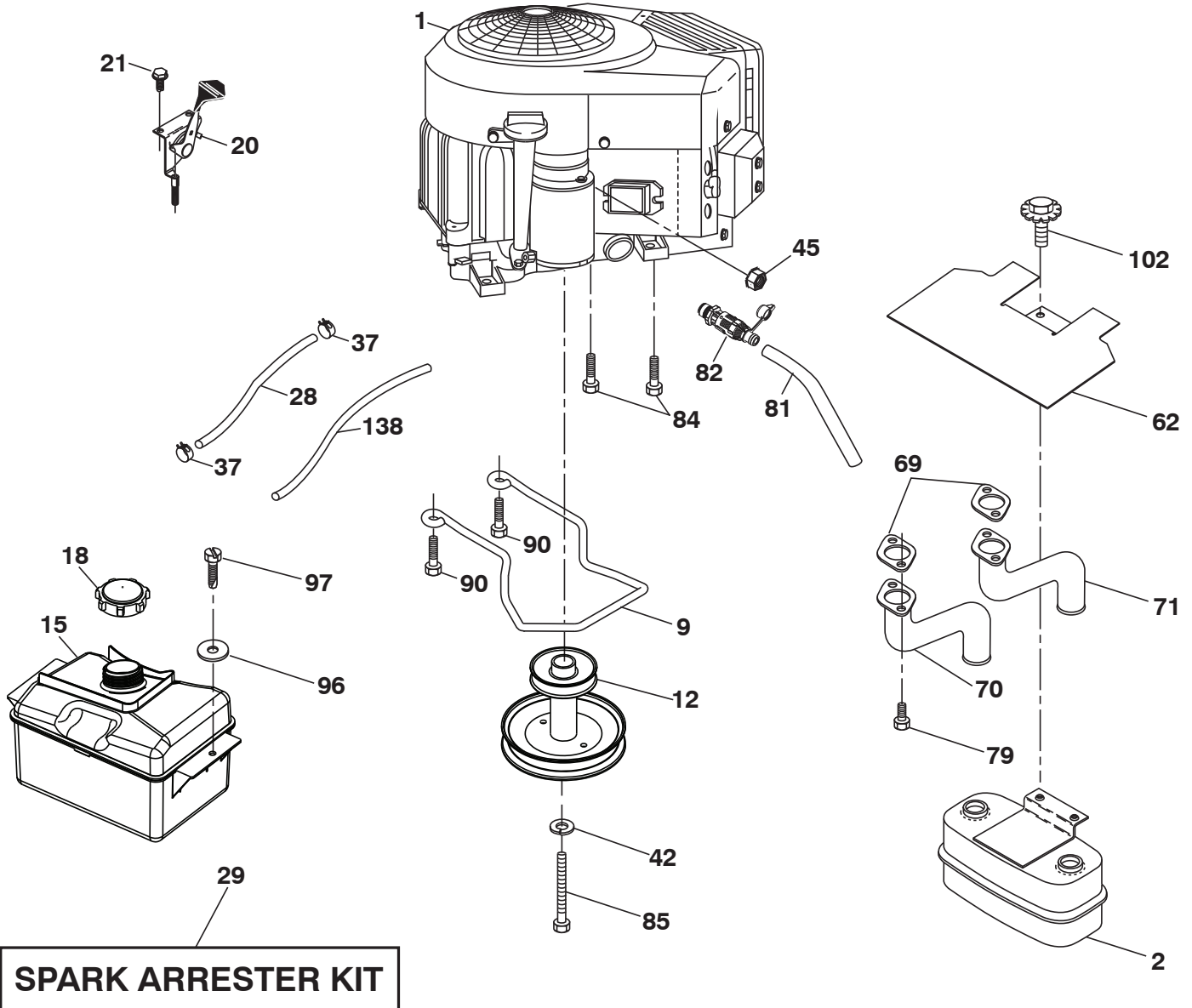
TRACTOR - MODEL NO. YTH22V46 (96045006101), PRODUCT NO. 960 45 00-61

DRIVE

KEY NO.	PART NO.	DESCRIPTION	KEY NO.	PART NO.	DESCRIPTION
1	---	Transaxle, Tufftorq K46BT (426120) (Order parts from transaxle manufacturer.)	177	587 22 53-01	Pin, Cotter, Locking, Bowtie, 1 In.
2	532 12 35-83	Key Square	183	532 13 70-57	Spacer Axle
15	596 56 53-01	Washer 13/32 x 13/16 x 16 Ga.	184	587 65 37-01	Handle Parking Brake
17	532 41 36-78	Spring, Brake	185	872 11 06-22	Bolt
26	532 19 96-79	Spring Return Cruise	186	532 19 43-21	Spacer Retainer
29	532 40 38-06	Rod, Brake	187	596 13 55-01	Washer, 13/32 x 2 Clear, Zinc
33	812 00 00-01	Ring E	188	582 21 70-01	Link Clutch Ground Drive, Long
35	590 60 59-02	Rod, Brake, Park	189	532 19 43-17	Bellcrank Ground Drive
37	532 18 89-67	Washer .793 x 1.637 x 060	190	532 19 43-18	Keeper Bellcrank Ground Drive
42	532 00 88-83	Cover, Foot Pedal	205	532 12 17-48	Washer 25/32 x 1-5/8 x 16 Ga.
49	596 13 62-01	Bolt, Cup Head, 3/8-16 x 3/4	206	532 44 85-96	Bracket Mount Latch Cruise
50	532 19 43-27	Pulley Idler Flat	207	587 03 14-02	Latch, Cruisecontrol, Tex. Clr.
51	873 90 06-00	Lock Nut 3/8-16	208	596 56 41-01	Gear
52	532 19 43-26	Idler V-Groove	209	590 52 78-02	Rod Control Cruise
56	592 85 52-01	V-Belt, Drive	210	532 40 09-80	Rocker Asm. Pedal Control
64	532 19 78-65	Shaft Asm. Pedal Brake Control	211	532 12 01-83	Bearing Nylon
69	532 42 33-03	Hairpin Soft Zink .059 x 1.125	213	532 40 31-19	Knob Control Cruise
73	596 13 65-01	Bolt, Hex. Head, 5/16-18 x 1-1/2	214	532 42 12-63	Pedal Forward
92	595 30 57-01	Screw, Hexagon, 5/16-18 x 1-1/4	215	586 60 65-02	Pedal Reverse
99	582 40 45-01	Rod Spring Bypass	216	532 19 61-31	Bracket Pulley Idler
116	596 13 57-01	Nutlock, Prvl. Torq. 5/16-18 x .68	221	532 40 31-87	Retainer Spring Clip Handle
125	817 00 05-12	Screw 5/16-18 x 3/4	222	879 21 20-10	Washer 21/32 x 1-1/4 10 Ga.
143	596 03 07-01	Screw, Hexagon, 5/16-18 x 1/2	223	598 66 26-01	Bolt, T45, 5/16-18x .75m Hexhd, Blk
153	532 00 44-97	Retainer Spring 1"	225	532 40 33-19	Keeper Belt Transaxle
159	596 02 95-01	Pin, Cotter, 1/8 Dia. x 3/4	227	596 13 59-01	Bolt, Hex. 5/16-18 x 3/4 Clr. Znc.
161	532 10 57-09	Spring, Return, Clutch	325	585 66 85-02	Torque Strap K46 LT RH
163	593 86 10-01	Rod, Control, K46/K57R	326	585 67 08-02	Bracket TRQ STP 46 20" Tire RH
166	532 42 91-64	Nut Push	336	587 25 96-02	Bolt, 5/16 x 1-3/4 Flanged
167	532 40 52-57	Latch Brake Parking			
170	532 19 43-22	Keeper V-Idler			
171	596 13 63-01	Bolt, Cup Head, 3/8-16 x 2			

NOTE: All component dimensions given in U.S. inches
1 inch = 25.4 mm

TRACTOR - MODEL NO. YTH22V46 (96045006101), PRODUCT NO. 960 45 00-61
ENGINE



engine-tex_bs-2cyl_149_r1

TRACTOR - MODEL NO. YTH22V46 (96045006101), PRODUCT NO. 960 45 00-61

ENGINE

KEY NO.	PART NO.	DESCRIPTION
1	---	Engine B&S Model No.44N677-0065-G1 (529581901)(Order parts from engine manufacturer.)
2	589 81 87-01	Muffler
9	596 50 15-02	Keeper Belt Engine
12	586 72 89-01	Pulley Engine
15	597 95 45-01	Fuel, Tank, Asm. 2.5 Gal. EPA 2020
18	587 38 29-01	Cap Fuel
20	532 42 35-02	Control Throttle/Choke
21	596 32 17-01	Screw, #10 x 0.750 BOS Thread
28	532 40 11-37	Fuel Line
29	532 13 71-80	Spark Arrester Kit
37	532 12 34-87	Clamp Hose
42	596 23 89-01	Washer, 7/16 in. Clr. Zn
45	596 13 36-01	Locknut, Keps. 1/4-20
62	532 43 40-17	Shield Heat Muffler
69	532 16 53-91	Gasket
70	581 88 11-01	Exhaust Tube LH
71	581 88 10-01	Exhaust Tube RH
79	596 13 42-02	Screw, Socket, 5/16-18 x 1 Clr. Zn
81	532 14 84-56	Tube Drain Oil Easy
82	532 42 82-87	Valve Drain Oil
84	817 06 06-20	Screw 3/8-16 x 1-1/4
85	501 60 65-01	Bolt 7/16-20 x 4 x Gr. 5-1.5
90	817 00 06-16	Screw 3/8-16 x 1
96	596 13 53-01	Washer, Plain, 9/32 x 7/8 Clr. Zn
97	817 67 04-12	Screw 1/4-20 x 3/4
102	817 00 05-12	Screw 5/16-18 x 3/4
138	596 94 15-01	Tube, Purge, Fuel .1875"

NOTE: All component dimensions given in U.S. inches
1 inch = 25.4 mm

For engine service and replacement parts, call the toll free number for your engine manufacturer listed below:

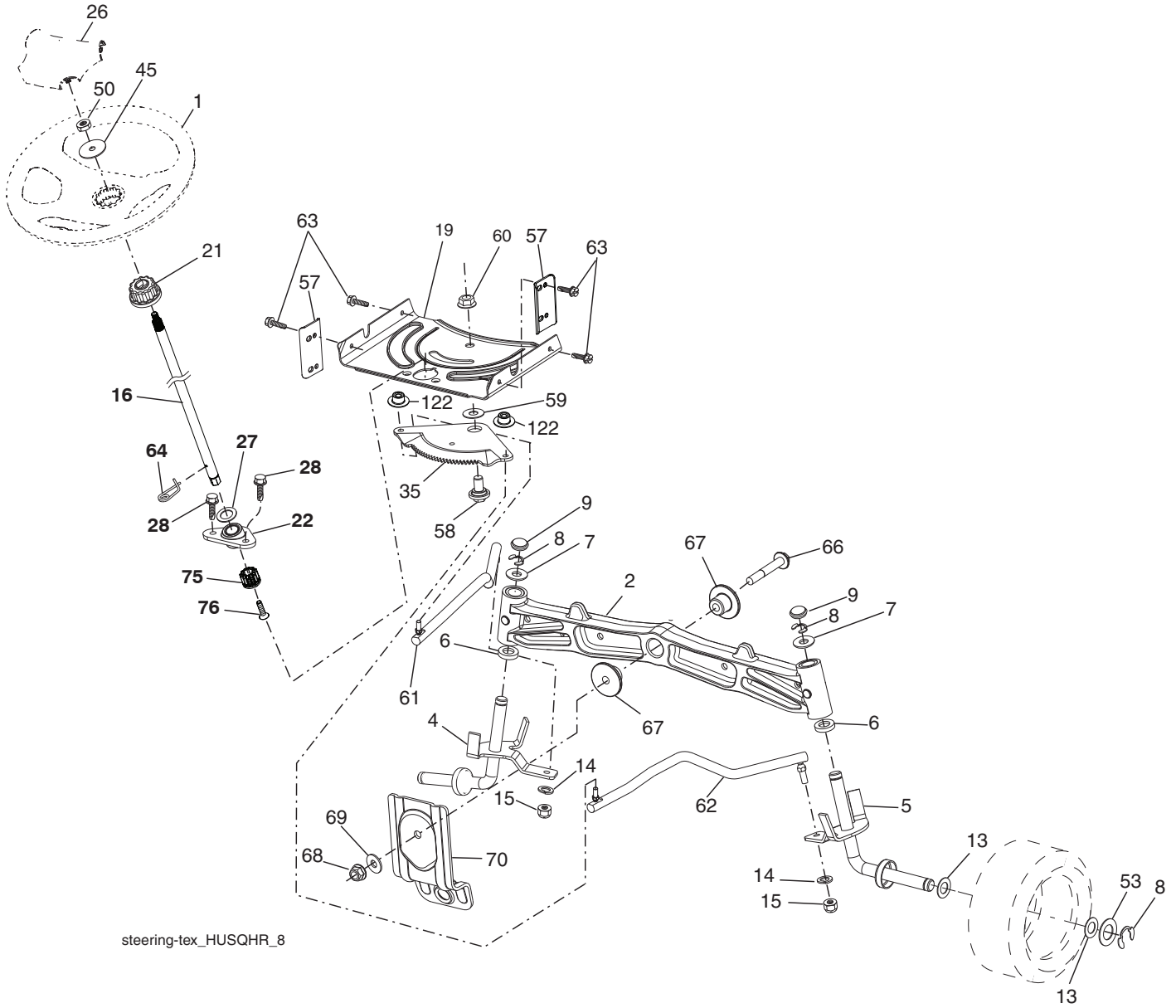
Briggs & Stratton 1-800-233-3723

Engine Power Rating Information

The gross power rating for individual gas engine models is labeled in accordance with SAE (Society of Automotive Engineers) code J1940 (Small Engine Power & Torque Rating Procedure), and rating performance has been obtained and corrected in accordance with SAE J1995 (Revision 2002-05). Torque values are derived at 3060 RPM; horsepower values are derived at 3600 RPM. Actual gross engine power will be lower and is affected by, among other things, ambient operating conditions and engine-to-engine variability. Given both the wide array of products on which engines are placed and the variety of environmental issues applicable to operating the equipment, the gas engine will not develop the rated gross power when used in a given piece of power equipment (actual "on-site" or net power). This difference is due to a variety of factors including, but not limited to, accessories (air cleaner, exhaust, charging, cooling, carburetor, fuel pump, etc.), application limitations, ambient operating conditions (temperature, humidity, altitude), and engine-to-engine variability. Due to manufacturing and capacity limitations, Briggs & Stratton may substitute an engine of higher rated power for this Series engine.

TRACTOR - MODEL NO. YTH22V46 (96045006101), PRODUCT NO. 960 45 00-61

STEERING ASSEMBLY



steering-tex_HUSQHR_8

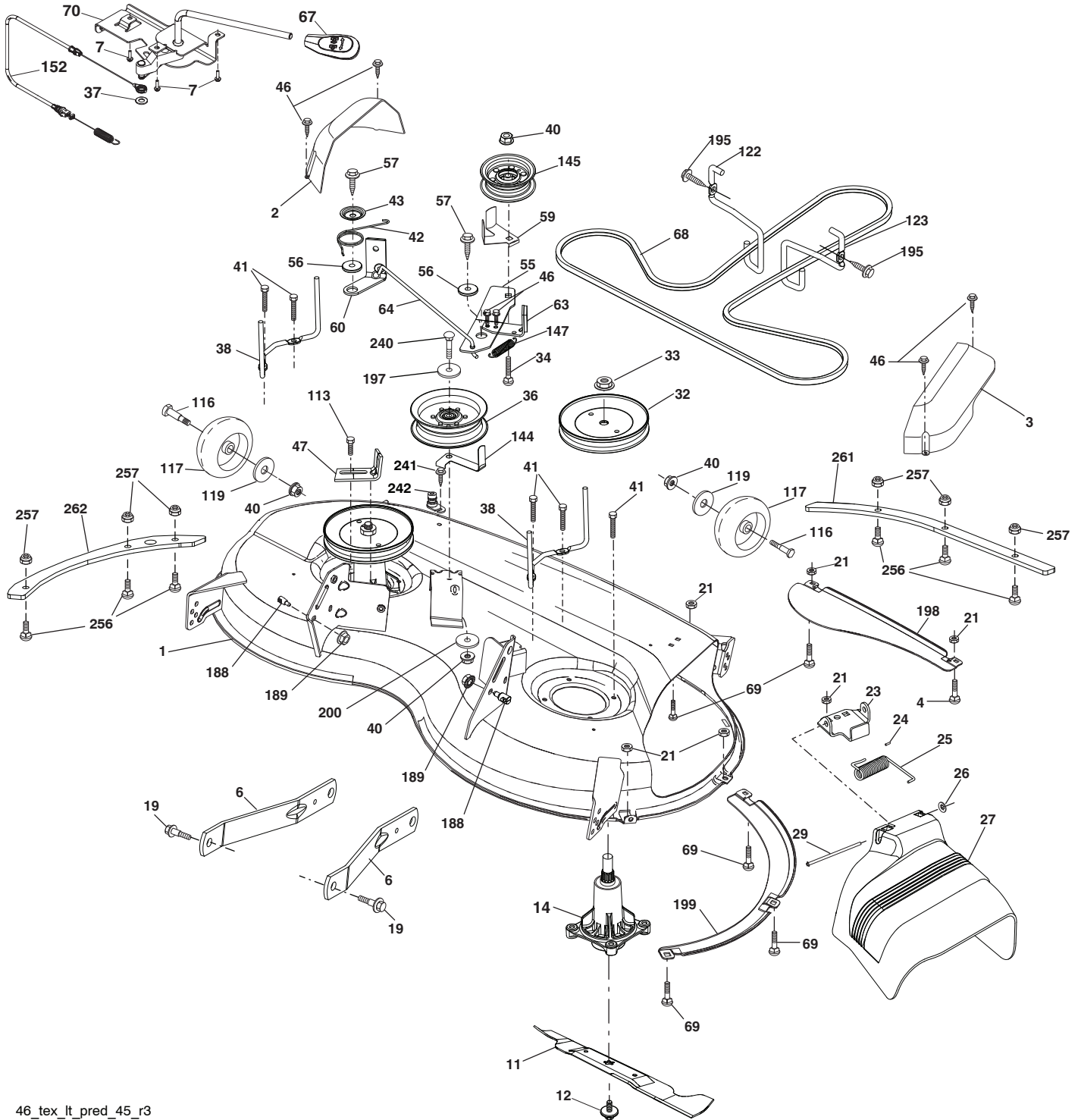
TRACTOR - MODEL NO. YTH22V46 (96045006101), PRODUCT NO. 960 45 00-61
STEERING ASSEMBLY

KEY NO.	PART NO.	DESCRIPTION
1	532 43 97-40	Wheel, Steering
2	532 19 59-68	Axle Cast Iron
4	532 40 30-87	Spindle Asm., LH
5	532 40 30-88	Spindle Asm., RH
6	532 00 62-66	Washer, Thrust .75 x 1.230
7	532 12 17-48	Washer 25/32 x 1-5/8 x 16 Ga.
8	812 00 00-29	Ring, Klip #T5304-75
9	532 12 12-32	Cap, Spindle
13	532 12 17-49	Washer 25/32 x 1-1/4 x 16 Ga.
14	596 23 87-01	Washer, Spring, Lock, .381 ID x .680
15	873 54 06-00	Nut, Crown Lock 3/8-24 unf
16	587 01 60-02	Steering Shaft
19	532 19 47-29	Plate Steering
21	586 84 02-01	Adapter Wheel Steering
22	585 02 98-02	Bearing
26	532 43 97-43	Insert, Wheel Steering
27	596 93 34-01	Washer, Plain
28	817 00 06-12	Screw 3/8-16 x 3/4
35	532 19 47-32	Gear, Sector Plate
45	587 01 64-01	Washer 3/8 ID 2-3/8 OD 12 Ga. PLTD
50	873 90 06-00	Nut Lock Flg 3/8-16 unc
53	532 18 89-67	Washer Hardened .793 x 1.637 x .060
57	532 40 74-65	Bracket Upstop
58	532 19 47-47	Bolt Shoulder Sector Pivot CFM
59	532 19 47-48	Washer Thrust Sector Steering
60	873 97 10-00	Nut Flange Lock 5/8-11
61	597 04 78-02	Draglink, LH. Ballstud, Std.
62	597 04 79-02	Draglink, RH. Ballstud, Std.
63	817 00 05-12	Screw 5/16-18 x 3/4
64	532 19 98-49	Retainer Clip Spring Steering
66	871 02 07-48	Bolt Hex Fghd 7/16-14 x 3 Serr
67	532 19 47-37	Bushing PM Front Axle
68	873 90 07-00	Nut Lock Flange 7/16-14 Gr. 5
69	532 19 91-62	Washer 1.5 x .505 x .118
70	585 33 88-01	Bracket Deck Susp. Front
75	580 68 37-01	Pinion
76	580 68 36-01	Screw Head Sock
122	532 44 49-62	Cap Gear

NOTE: All component dimensions given in U.S. inches
1 inch = 25.4 mm

TRACTOR - MODEL NO. YTH22V46 (96045006101), PRODUCT NO. 960 45 00-61

MOWER DECK



46_tex_lt_pred_45_r3

TRACTOR - MODEL NO. YTH22V46 (96045006101), PRODUCT NO. 960 45 00-61

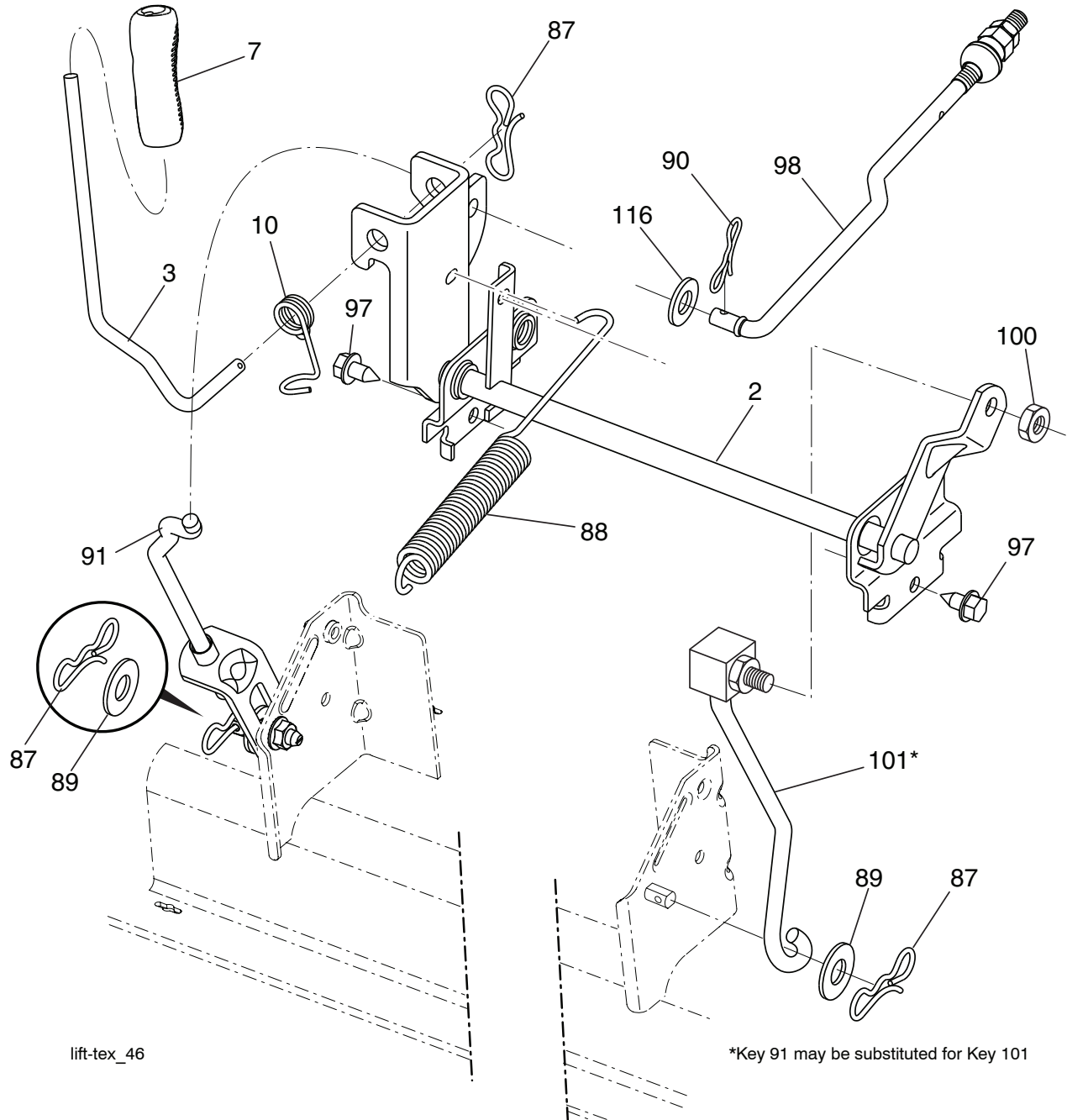
MOWER DECK

KEY PART NO.	PART NO.	DESCRIPTION	KEY PART NO.	PART NO.	DESCRIPTION
1	586 35 23-01	Kit, SVC Deck Weldment	67	532 40 30-12	Handle, Clutch Cable
2	532 40 55-06	Cover Mandrel RH	68	532 40 51-43	V-Belt
3	532 40 55-07	Cover Mandrel LH	69	596 13 64-01	Bolt, Cup Head, 5/16-18 x 5/8
4	596 03 05-01	Bolt, Hex. Hd. 5/16-18 unc x 3/4	70	532 19 99-72	Clutch Asm. Cable
6	532 19 51-86	Arm Suspension	113	817 00 05-10	Screw 5/16-18
7	596 32 17-01	Screw, #10 x 0.750 BOS Thread	116	596 43 44-04	Bolt, Shoulder, 3/8-16 x 3-5/8"
11	532 40 53-80	Blade Mower Hi Lift	117	589 52 73-01	Wheel, Gauge
12	584 30 93-01	Screw Sems 7/16-20 x 1 Hx Hd	119	596 13 49-01	Washer, Plain 3/8 x 7/8
14	587 81 97-01	Kit, Mandrel, Nongrease, Tall (includes shaft and bolt)	122	532 19 72-58	Keeper Belt Eng. LH
19	532 19 65-39	Bolt, Shoulder	123	532 19 72-59	Keeper Belt Eng. RH
21	596 04 05-01	Nutlock, Hex. Prvl. 5/16-18	144	532 19 92-04	Keeper Belt
23	532 19 25-57	Bracket, Deflector	145	532 19 31-97	Pulley Idler
24	532 10 53-04	Cap, Sleeve	147	532 40 18-72	Spring Return
25	532 19 70-26	Spring, Torsion, Deflector	152	584 24 35-01	Cable Clutch Manual w/Spr.
26	532 11 04-52	Nut, Push	188	593 82 40-01	Stud, W/"D" Anti-rotation
27	532 40 53-57	Shield, Deflector	189	596 13 57-01	Nutlock, Prvl. Torq. 5/16-18 x .68
29	595 29 70-01	Rod, Hinge	195	817 00 06-12	Screw 3/8-16 x 3/4
32	532 19 74-73	Pulley, Mandrel	197	596 13 32-01	Washer 13/32 x 13/16 x 12 Ga.
33	596 13 48-01	Nut, Hex. 9/16-18 x 1.010	198	532 40 31-49	Baffle Center Front
34	596 13 61-01	Bolt, Cup Head, 3/8-16 x 1-1/2"	199	532 40 31-50	Baffle Front RH
36	532 19 73-79	Pulley, Idler, Flat	200	532 41 35-24	Washer 13/32 x 1 x 1/2 11 Ga.
37	596 56 53-01	Washer, 3/8 x 0.08 in. St. Clr. Zinc	240	874 52 06-36	Bolt 3/8-16 unc x 2-1/4 Gr. 5
38	589 67 61-02	Keeper Belt Mandrel	241	532 15 29-27	Screw
40	873 90 06-00	Nut, Lock Flg. 3/8-16 unc	242	532 41 55-98	Washout Port
41	584 95 39-01	BoxHexWasherHead313-18x1.19	256	596 23 84-01	Bolt, Carr. 1/4-20 x 3/4 Gr. 5 Clrzn
42	532 19 84-10	Spring Torsion Brake	257	873 90 04-00	Nut Hex Flange 1/4-20 unc
43	532 19 72-56	Spring Torsion Retainer	261	589 48 18-05	Plate Reinforcement Front
46	532 13 77-29	Screw	262	589 48 20-05	Plate Reinforcment Side
47	532 19 72-50	Bracket Clutch Cable	--	532 41 64-05	Quick Connect Coupling
55	532 19 72-49	Arm, Idler	--	586 05 90-01	Replacement Mower, Complete
56	532 19 90-92	Spacer, Retainer			
57	817 00 06-16	Screw Hexwsh Thd 3/8-16 x 1			
59	532 14 10-43	Guard, Tuv Idler (94)			
60	532 19 94-71	Arm Brake Mower LH			
63	532 19 94-77	Arm Brake Mower			
64	532 40 51-38	Linkage Brake			

NOTE: All component dimensions given in U.S. inches
1 inch = 25.4 mm

TRACTOR - MODEL NO. YTH22V46 (96045006101), PRODUCT NO. 960 45 00-61

MOWER LIFT



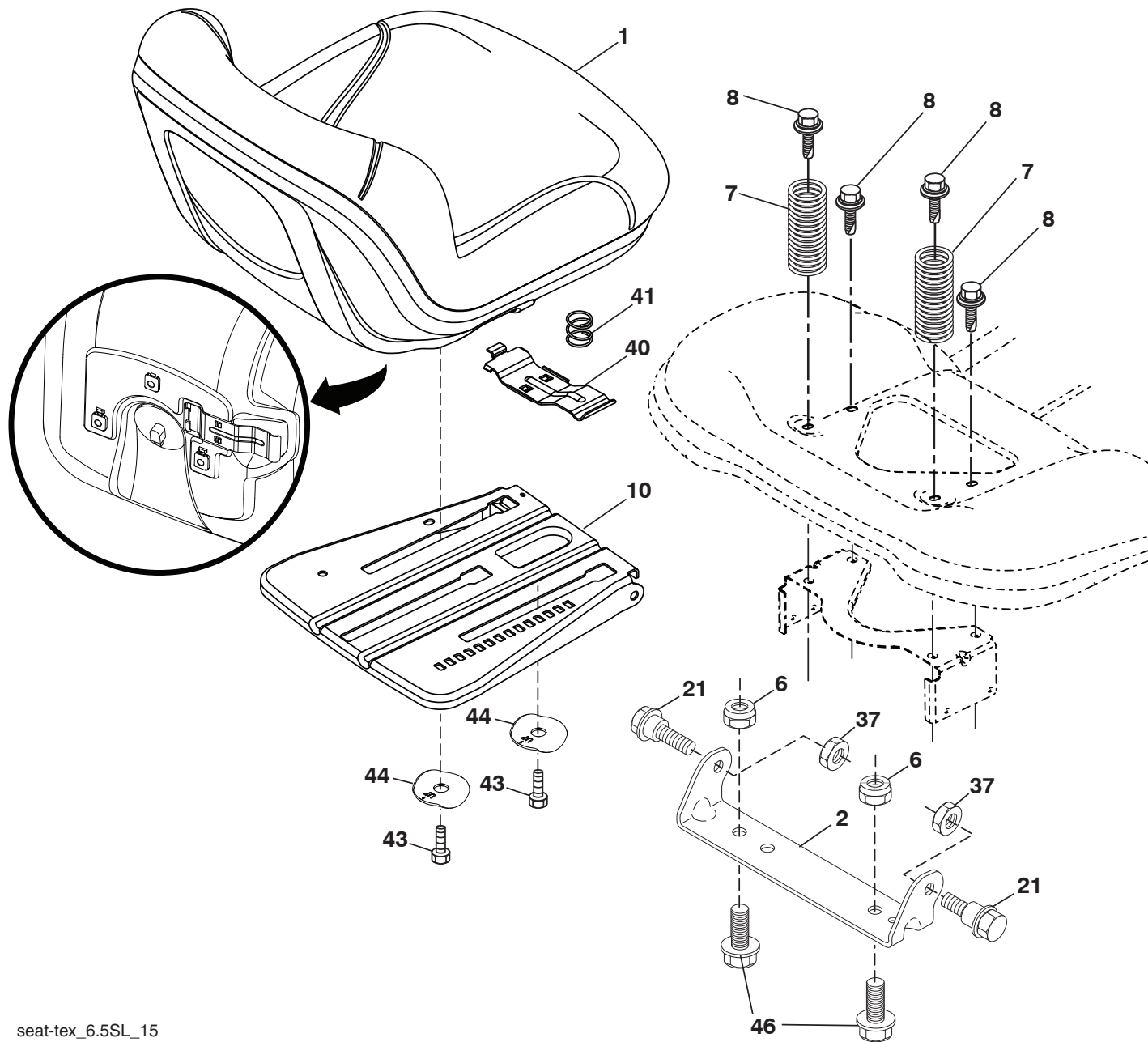
lift-tex_46

KEY NO.	PART NO.	DESCRIPTION
2	532 42 20-27	Shaft Asm., Lift
3	594 01 80-01	Handle, Liftlever, Lt, Std, Wide
7	580 96 23-01	Grip, Lever
10	532 19 63-14	Spring Torsion
87	532 19 42-09	Pin Cotter 7/16 Bow Tie Lock
88	532 41 07-10	Spring Lift Assist
89	819 19 19-12	Washer Clear Zinc
90	532 19 42-08	Pin Cotter 5/16 Bow Tie Lock
91	589 46 48-03	Link, Assy. Lift, Rear

KEY NO.	PART NO.	DESCRIPTION
97	817 00 06-12	Screw 3/8-16 x .75 Smgml Tap/R.Z
98	581 50 69-03	Link, Assy. Mwr. Front, Suspension
100	595 30 59-01	Nut, Hex. Locknut, 3/8-16
101	532 40 70-03	Link Asm. Fixed
116	594 97 65-01	Washer Round 15/32 x 15/16 x .065

NOTE: All component dimensions given in U.S. inches
1 inch = 25.4 mm

TRACTOR - MODEL NO. YTH22V46 (96045006101), PRODUCT NO. 960 45 00-61
SEAT ASSEMBLY



seat-tex_6.5SL_15

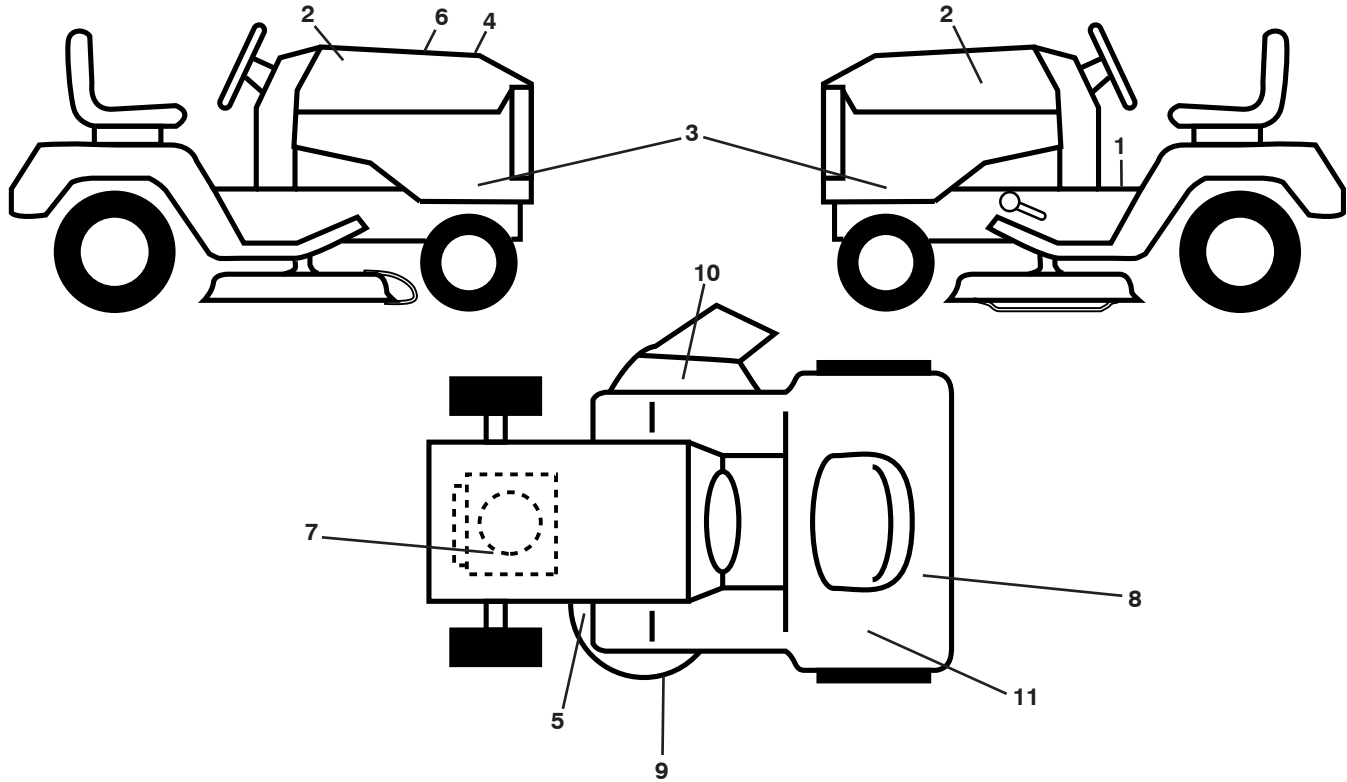
KEY NO.	PART NO.	DESCRIPTION
1	532 43 98-22	Seat
2	532 18 01-66	Bracket Pivot Fender
6	873 80 06-00	Nut, Lock w/Ins. 3/8-16 unc
7	589 48 35-01	Spring, Seat Cprsn
8	532 17 18-77	Bolt 5/16-18 unc x 3/4 w/Sems
10	596 65 74-02	Plate, Seat
21	587 90 78-01	Bolt, Shoulder 5/16-18 x 5/8
37	596 58 37-02	Nut 5/16-18 Nyloc. Blk. Zinc

KEY NO.	PART NO.	DESCRIPTION
40	595 08 81-02	Handle, Seat, Slide, E-Dip, x 431
41	532 19 82-00	Spring Latch Seat
43	874 76 06-12	Bolt Fin Hex 3/8-16 unc x 3/4
44	501 05 18-01	Washer Winged 3/8 ID 1.5 OD
46	588 09 04-01	Bolt 3/8-16 x 1; 1.25 OD

NOTE: All component dimensions given in U.S. inches
 1 inch = 25.4 mm

TRACTOR - MODEL NO. YTH22V46 (96045006101), PRODUCT NO. 960 45 00-61

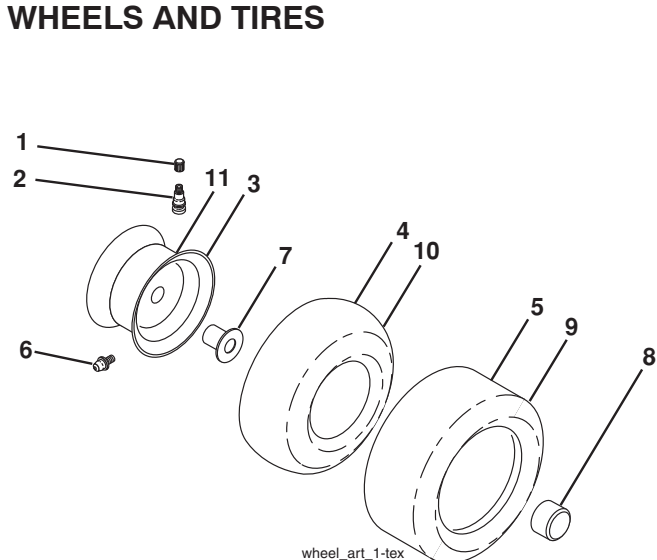
DECALS



KEY NO.	PART NO.	DESCRIPTION
1	581 57 90-01	Decal, Fender Warning
2	581 62 73-01	Decal, Hood
3	581 59 42-01	Decal, Hood Panel SD
4	580 88 58-01	Decal, E85 Warning
5	581 58 00-01	Decal, Mower V-Belt Schematic
6	529 53 75-01	Decal, Replacement
7	598 46 78-01	Decal, Engine B&S
8	596 62 34-01	Decal, Instru. Dealer Huq Eng/Fr
9	599 96 68-01	Decal, Deck Stamp
10	584 90 46-01	Decal, Deflect. Warning
11	529 40 53-01	Decal, Built in America
--	581 72 48-01	Decal, Bypass

KEY NO.	PART NO.	DESCRIPTION
--	532 43 96-81	Pad, Footrest, LH
--	532 43 96-82	Pad, Footrest, RH
--	114 25-98-49	Manual, Operators (English/Spanish)
--	114 25 99-31	Manual, Operators (English/French)
--	529 67 52-01	Manual, Parts (English)
--	587 71 00-26	Manual, QSG (English/Spanish)
--	587 71 01-26	Manual, QSG (English/French)

WHEELS AND TIRES



KEY NO.	PART NO.	DESCRIPTION
1	532 05 91-92	Cap Valve Tire
2	532 06 51-39	Stem Valve
3	532 13 83-36	Rim Front
4	532 05 99-04	Tube Front (Service Item Only)
5	532 10 62-22	Tire Front 15 x 6.0-6
6	532 00 02-78	Fitting Grease (Front Wheel Only)
7	532 00 90-40	Bearing Flange (Front Wheel Only)
8	532 17 50-39	Cap Axle Blk 1 50 x 1 00
9	532 13 84-68	Tire R 20 x 8-8 Turf Saver LT
10	532 00 71-52	Tube Rear (Service Item Only)
11	532 13 83-37	Rim Asm 8" Rear
--	532 14 43-34	Sealant, Tire (10 oz. Tube)

NOTE: All component dimensions given in U.S. inches
1 inch = 25.4 mm

SERVICE NOTES



www.husqvarna.com