

**2019–2023 Chevy/GMC Silv/Sierra Lt Duty Crew Cab (New Body Style) +  
2020–2023 Silv/Sierra HD Crew Cab (New Body Style) – Underseat Storage**

*Fits DU-HA Part Numbers*  
10400 10410  
10401

### Installation Instructions:

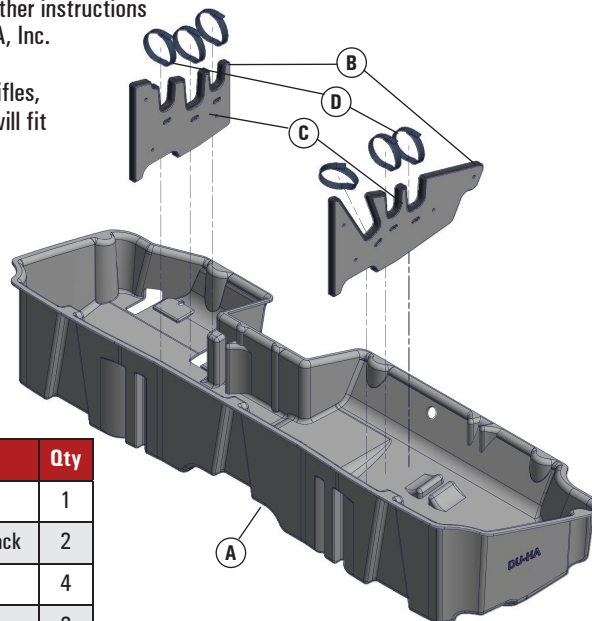
- 1** Lift up the bottoms of both sides of the back seat.  
If you do *not* have the factory storage tray, proceed to step 3.
- 2** Remove the factory storage tray, using a 10mm socket to remove the 2 nuts holding the jack mounting plate on the passenger side and remove jack. Next remove the jack tools by loosening the knob holding them in place. Use a 10mm socket to remove the plastic screw holding the driver's side of the factory storage tray.  
Remove the factory storage tray from the vehicle. Re-install the jack mount plate.
- 3** Remove jack from it's holder by turning the red/yellow knob on jack to make jack retract.
- 4** Position DU-HA (A) under the back seat, with the hole for the jack tools facing the rear of the truck, slide the hole over the threaded post for the jack tools. Next, position the holes on the passenger side over the threaded posts for the jack mount/over jack mount plate.  
**NOTE:** Some floor mats may need to be trimmed for the DU-HA to fit properly.
- 5** Secure in place by re-installing the jack into the jack holder plate, making sure the holes in the bottom of the jack get seated into the tabs on the jack mount plate.
- 6** Install the jack tools back from where they were removed.
- 7** Install Foam Organizer / Gun Rack (B) and Plastic Stiffeners (C) by sliding them into the channel slots inside the DU-HA (A), as shown. Use provided Velcro straps (D) to secure guns to the gun racks to help keep them from moving around. Slide the Velcro strap through the hole under each gun rack slot and wrap around gun and onto itself to secure gun.
- 8** Lower the bottoms of both sides of the back seat to their original position.  
– **NOTE:** Some floor mats may need to be trimmed for the DU-HA to fit properly.

### Safety Instructions:

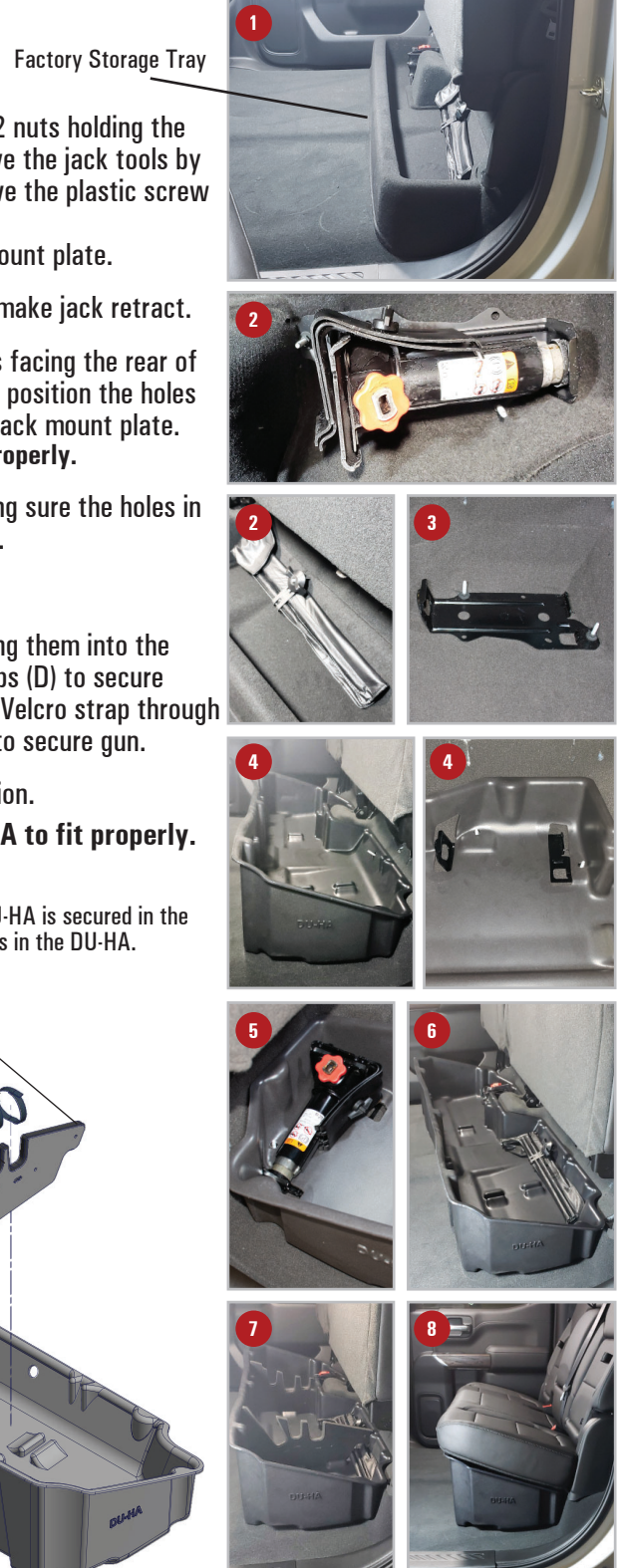
**Warning:** Seat bottom must be down at all times while vehicle is moving. Make sure the DU-HA is secured in the vehicle according to installation instructions. Do not store explosives or hazardous materials in the DU-HA. Do not place loaded guns in the DU-HA. For further instructions refer to truck owners manual or contact DU-HA, Inc.

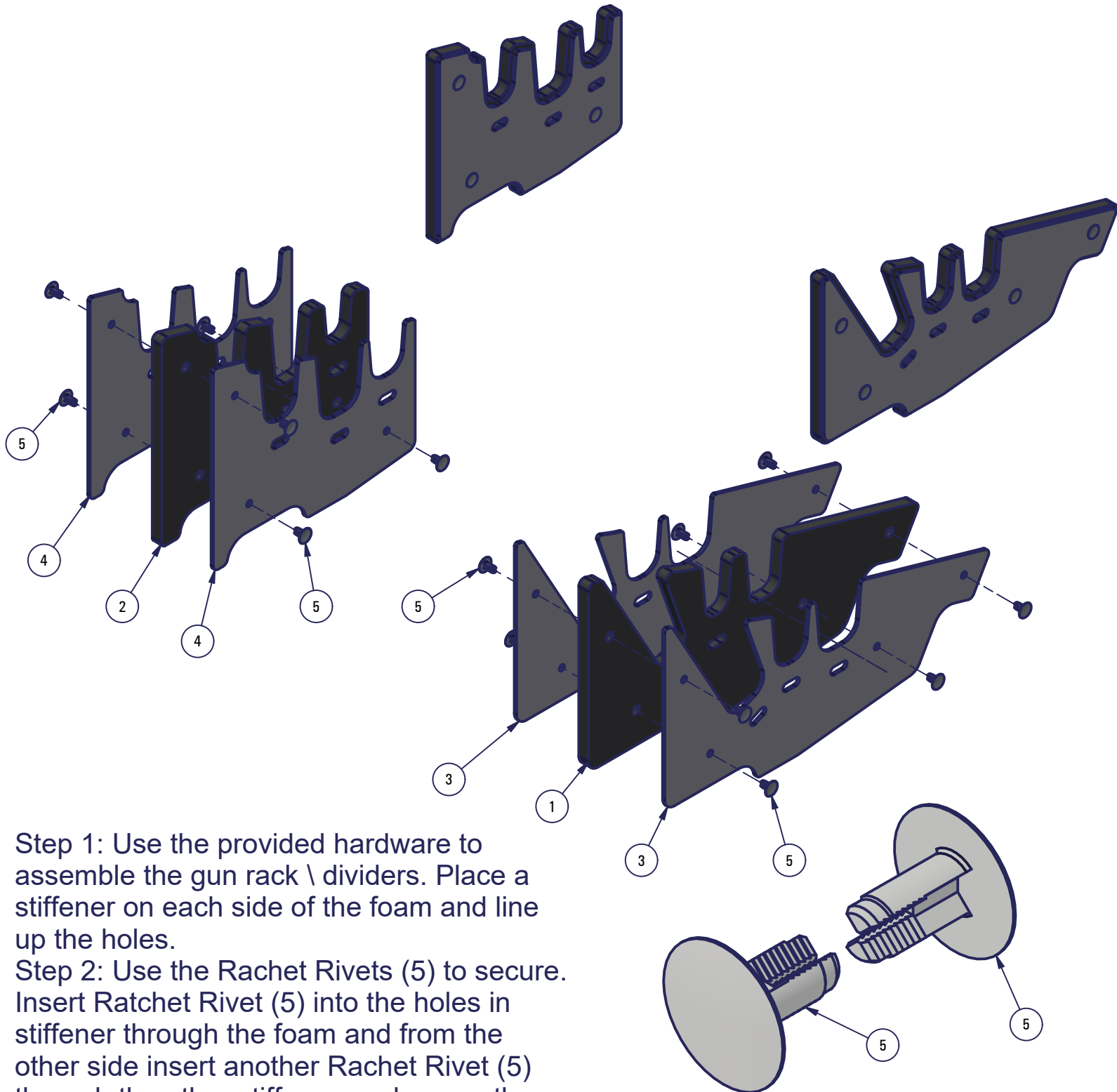


3 shotguns or rifles, 1 with scope, will fit in the gun rack, as pictured.



Part	Part Number	Description	Qty
A	--	DU-HA Storage Unit	1
B	Divider-10400	Foam Organizer / Gun Rack	2
C	Divider-10400	Plastic Stiffener	4
D	1001218	Velcro Strap	6





Step 1: Use the provided hardware to assemble the gun rack \ dividers. Place a stiffener on each side of the foam and line up the holes.

Step 2: Use the Ratchet Rivets (5) to secure. Insert Ratchet Rivet (5) into the holes in stiffener through the foam and from the other side insert another Ratchet Rivet (5) through the other stiffener, make sure the teeth on the Ratchet Rivets (5) oppose each other (as shown in detail) and line them up and push together using thumb or finger on each side, repeat for other holes. Do this for each gun rack \ divider.

Parts List			
ITEM	QTY	PART NUMBER	DESCRIPTION
1	1	..	19 GM Crew Left Gun Rack Foam
2	1	..	19 GM Crew Right Gun Rack Foam
3	2	..	19 GM Crew Left Gun Rack Stiffener
4	2	..	19 GM Crew Right Gun Rack Stiffener
5	14	1001297	Rivet Ratchet .5 Long x .406 OD Head - Black - 120308B