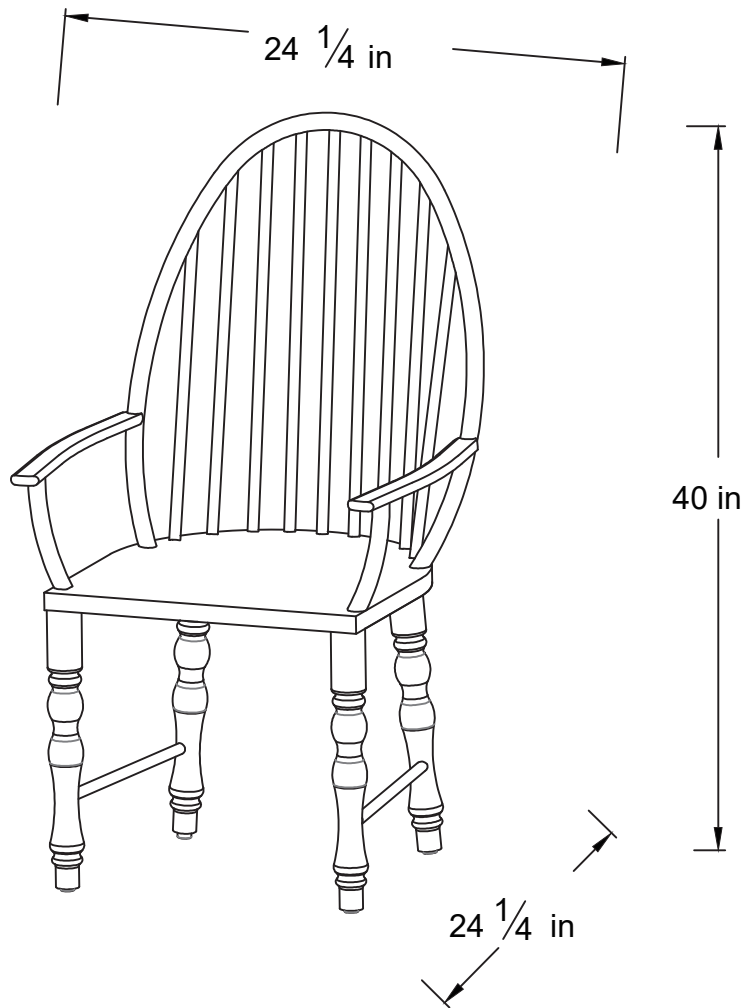


WINDSOR CHAIR

Instruction Manual

SKU#1722073

Please read instructions carefully before use. Retain for future reference



Distributed by:
TRACTOR SUPPLY COMPANY
5401 VIRGINIA WAY,
BRENTWOOD TN 37027
For customer support,
call: 1-888-376-9601
www.TractorSupply.com
MADE IN CHINA

Assembled Dimensions

Approximate assembly time: 20 Minutes	People for assembly: 	Required assembly space: Floor area 5 ft. x 5 ft. (1.5m x 1.5 m) 
--	--	--

Required assembly tools (included):

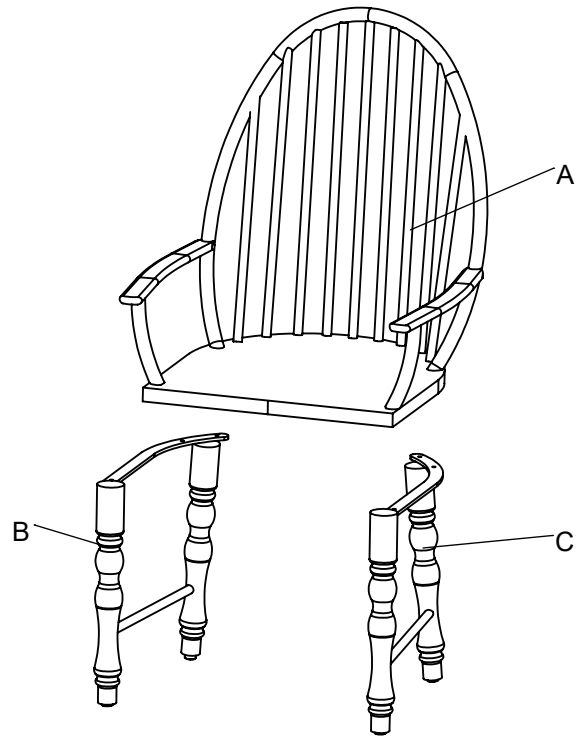


M6

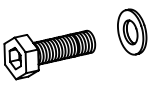
CAUTION:
Hand tools only, use of power tools could damage product.

PART LIST

No.	Description	Quantity
A	chair top	1
B	right leg	1
C	left leg	1



HARDWARE LIST

D1	6 sets + 1 spare set bolt	
----	------------------------------	---

TIP BEFORE YOU START

- * Ensure that all parts are present prior to assembly.
- * Check all packing material carefully before discarding, as some parts may be encased in the packing material.
- * For ease and speed of assembly, it is recommended that prior to each step all required parts are identified.
- * Ensure that you have sufficient space and people (as indicated on page 1) to assemble product safely.
- * During assembly take care not to over-tighten any fittings, as this may damage the product.

CARE AND MAINTENANCE

- * Always inspect the product during each use for any obstructions.
- * The manufacturer will not accept responsibility for unauthorized repairs or modifications to this product.
- * To clean, wash frame with mild soap and water; rinse thoroughly. Dry frame completely.
- * Do not use bleach, acid, or other solvents on the frame parts.
- * To prolong the life of your furniture we recommend storage in a dry area when not in use or during austere weather conditions.



WARNING

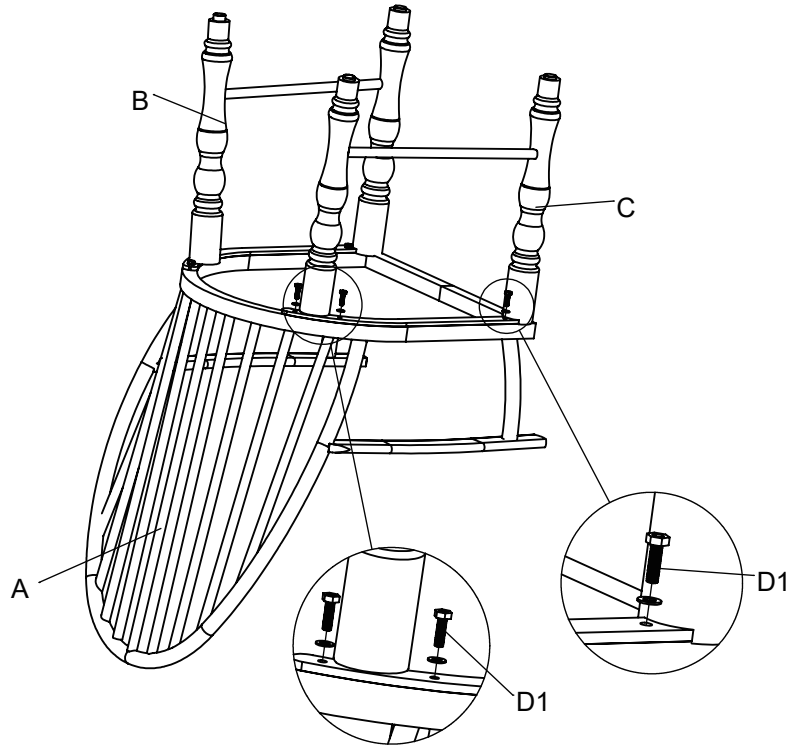
- * Annually:
 - * Check all nuts and bolts for tightness each season and more often if used frequently.
 - * Oil all metal moving parts with a general purpose lubricating oil to ensure proper performance and safety.
- * Keep children away during assembly. This item contains small parts which can be swallowed by children. Children should always be under adult supervision while using this product.
- * This product is for residential use only, not for commercial use.

WEIGHT LIMIT

Chair: 225lb. (102 kgs)

ASSEMBLY INSTRUCTIONS

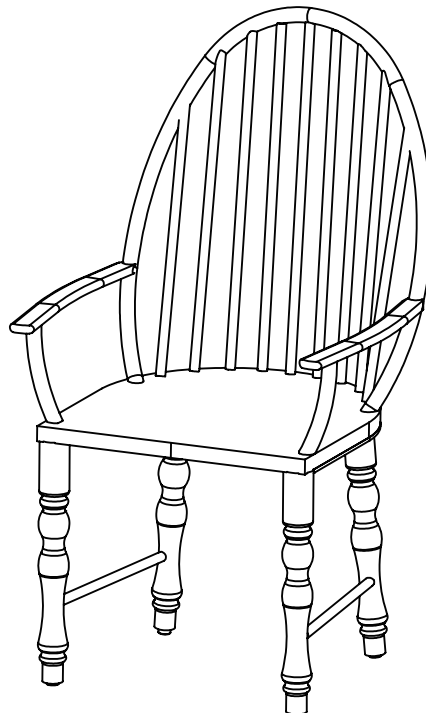
1



Do not tighten completely. Repeat procedure for the other side.
Securely tighten all bolts.

D1 6 sets bolt		M6
----------------	--	----

2



Turn the chair over.