

ITEM # SSUSK1816

Stainless Steel Utility Sink Assembly Instructions



READ ALL INSTRUCTIONS AND WARNINGS BEFORE USING THIS PRODUCT.

This manual provides important information on proper assembly. Every effort has been made to ensure the accuracy of this manual. These instructions are not meant to cover every possible condition and situation that may occur. We reserve the right to change this product at any time without prior notice.

IF THERE IS ANY QUESTION ABOUT A CONDITION BEING SAFE OR UNSAFE, DO NOT OPERATE THIS PRODUCT!

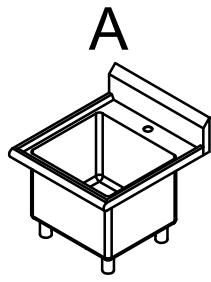
HAVE QUESTIONS OR PROBLEMS? CONTACT CUSTOMER SERVICE.

If you experience a problem or need parts for this product, visit our website <http://www.buffalotools.com> or call our customer help line at 1-636-532-9888, Monday-Friday, 8 AM - 4 PM Central Time. A copy of the sales receipt is required.

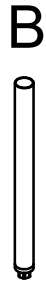
FOR CONSUMER USE ONLY – NOT FOR PROFESSIONAL USE.

KEEP THIS MANUAL, SALES RECEIPT & APPLICABLE WARRANTY FOR FUTURE REFERENCE.

ITEM # SSUSK1816 STAINLESS STEEL UTILITY SINK



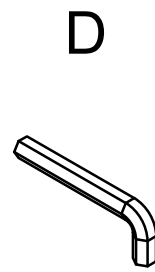
1 piece sink body



4 pieces leg w/feet



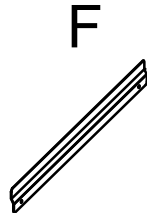
8 pieces hex screws



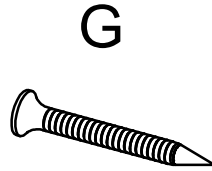
1 piece hex wrench



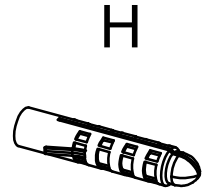
1 piece drainer



1 piece hanging bar

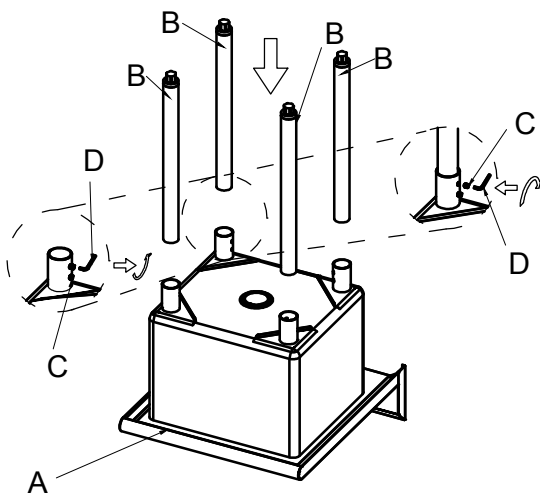


2 pieces screws for hanging bar



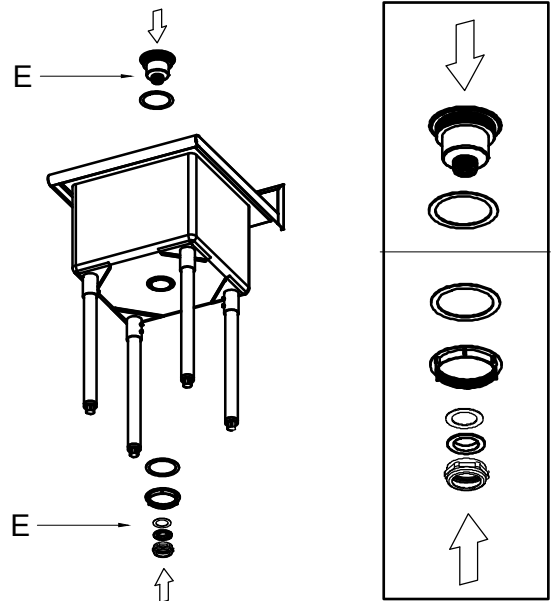
2 pieces plastic tubing for hanging bar

1



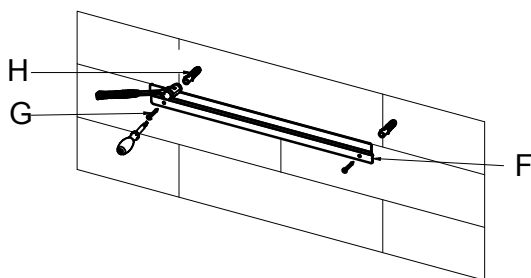
Place the sink (A) upside down on the floor. Use the hex wrench (D) to remove 8 pcs hex screws (C) from four corner support of sink (A). Insert each leg (B) into each corner support of sink (A). Use the hex wrench (D) to tighten the hex set screws (C) into the corner support. Each corner support requires two hex screws.

2



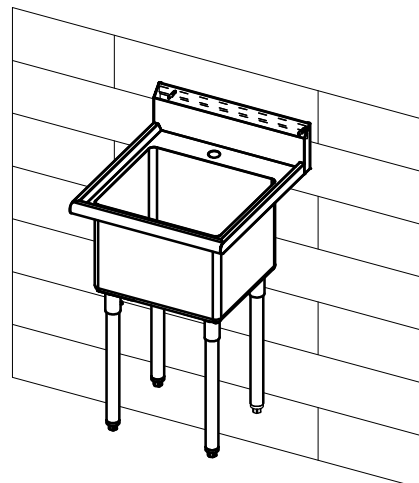
Separate the whole drainer (E). Then reassemble the drainer on the sink as shown above.

3



According to the height of the baffle plate of the sink (A), drill holes in the wall. Then put each plastic tubing (H) into each hole. Insert each screw (G) through the hanging bar (F) into the plastic tubing (H).

4



Put sink (A) on the hanging bar (F). Rotate the leg feet pads to compensate for differences in floor surface.