

## FS 4800

Spare Parts

Piezas de repuesto

Pieces de rechange

Ersatzteile

Reserveonderdelen

Ricambi

Peças sobresselente

Reservdelar



FS 4800 D Husqvarna

PART NO.	POS.	DESCRIPTION	PART NO.	POS.	DESCRIPTION
000 49 99-19*	Z	Light, 12V	541 20 82-96	X1,X2	Fitting, Hose 3/8" x 3/4" GHT
015 70 05-05*	D	Hose Clamp, Worm Drive SAE104	541 20 83-44	S1	Pulley, Engine, 6.0" Tapr, 6 Gr
015 70 05-37*	R	Hose Clamp, Worm Drive SAE285	541 20 83-45	X2	Spring w/ 90° Hook
504 06 12-01	B2	Pointer, Rear - Husq Gray	541 20 83-49	X2	Blade Guard, 14" H. Gray
539 10 13-31	F,G	Nut, 1/2-13, Lock Z/P	541 20 83-50	X2	Handle, Blade Guard
539 10 25-35	N1,N3	Hub Dust Cover	541 20 83-57	X2	Latch, Blade Guard
539 10 26-53	S1,S2	Washer, Flat, 5/8" Pltd	541 20 83-63	X2	Tube, Water 14" Bld/Grd
539 30 00-73	K	Hose Clamp, Worm Drive SAE32	541 20 83-66	X2	Blade Guard, 14" Husq. Gray - compl
539 30 00-74	B2,M	Set Collar, 1/2" Pltd	541 20 84-14	B1	Spade, Blade Grd, Short, RH, H. Gray
539 30 00-85	R	Cap, Fuel Tank	541 20 84-17	B1	Spacer, Spade, 36" H. Gray
539 30 01-11	E1,E2	Plug, Hole, 1/2", Night Light	541 20 84-31	B1	Spacer, H. Gray
539 30 01-13	Y	Boot, Switch - Gray	541 20 84-39	X1	Blade Grd: Rear 30" H. Gray
539 30 01-33	S1,S2	Wrench, Open End 15/16"	541 20 84-40	X1	Cover, Bladeshaft -Husq. Gray
539 30 02-42	J	Fit., Pipe St. Elbow, 1/2" Galv	541 20 84-44	X1	Blade Grd: Rear 36" H. Gray
539 30 02-43	J	Fit., Pipe Close Nipple, 1/2	541 20 84-45	X1	Blade Grd: Rear 26" H. Gray
539 30 02-69	J	Fit., 1/2"NPTF x 3/4" GH	541 20 84-47	X1	Blade Grd: Rear 18x3" H. Gray CE
539 30 03-04	Q2	Pivot, Pin	541 20 84-50	X1	Blade Grd: Rear 18" H. Gray
539 30 03-06	Q2	Screw, Socket Head Set	541 20 84-51	X1	Blade Grd: Front 18" H. Gray
539 30 03-10	U1	Fit., Hyd 6801-6	541 20 84-53	B1	Flange Cover, Non CE H. Gray
539 30 03-40	F,G	Handle Bar	541 20 84-62	D	Bracket, Throttle Cable, H. Gray
539 30 04-40	Q1	Cap, Bolt, 5/8 UHMW	541 20 84-77	B1	Spade, Blade Grd, Short, RH, H. Gray
539 30 10-03	H	Pointer, Depth Indicator	541 20 84-78	O3	Front Axle Wldmt, RP, Husq. Gray
539 30 11-53	H	Switch, Micro Depth Stop	541 20 84-79	J	Cowl Top, Wldmt, Husq. Gray
539 30 13-66	H	Nut, #6-32, Hex Lock	541 20 84-80	D	Fan Guard, LH, H. Orange
539 91 27-58	O1,O3	Grease Zerk, 1/4"-28 x 90 Deg	541 20 84-81	D	Cowl, Rear Panel, Husq. Gray
539 97 69-34	U1	Bolt, 5/16-18 x 3/4 Gr5 Z/P	541 20 84-82	D	Rear, Removable Panel, Husq.Gray
539 97 69-79	H	Nut, 3/8-16, Hex Lock Z/P	541 20 84-83	B2	Lift Bale, Husq. Gray
539 97 69-82	B1,C1,C2,S1,S2	Washer, Flat, 5/8 SAE Z/P	541 20 84-85	O1	Axle, Front FS48, FP, H. Gray
539 99 00-52	P1	Washer, Lock 1/4" Z/P	541 20 84-87	D	Bracket, Air Cleaner Cradle, H. Gray
539 99 00-55	B1,Q2	Washer, Flat 1/4" SAE Z/P	541 20 84-89	B2,M	Bracket, Pointer Mount, H. Gray
539 99 00-71	P1	HHCS, 1/4-20 x 1/2 Gr5	541 20 84-90	R	Fuel Neck, Husq. Gray
539 99 01-18	U1	Washer, Lock 3/8 Spring Z/P	541 20 84-93	D	Shield, Alt Belt, H. Orange
539 99 01-22	H	Washer, Flat, 3/8 SAE Z/P	541 20 84-94	B1	Frame Corner, RH, Husq. Gray
539 99 01-87	U1,P4	Washer, Lock 5/16 Z/P	541 20 84-95	B1	Sheave Guard, H. Gray
539 99 02-09	P4	HHCS, 5/16-18 x 1.0 Gr5	541 20 84-96	B1	Frame Corner, LH, Husq. Gray
539 99 02-54	C1,C2	Washer, Lock 1/2" Z/P	541 20 84-97	B1	Spade, Angled, RH, Husq. Gray
539 99 02-58	P4	Nut, 1/2-13	541 20 84-98	B1	Spade, Angled, LH, Husq. Gray
539 99 03-33	B2,Q1,S1,S2	Washer, Lock 5/8 Z/P	541 20 84-99	M	Pointer Wldmt, Front, Husq. Gray
539 99 05-55	Q2	Pin, Cotter 3/32 X 1/2" Z/P	542 02 00-49*	Q2,R	Hose Clamp, Worm Drive SAE004
539 99 06-37	H	Bolt, 3/8-16 X 2-1/2	542 02 01-32*	E1,E2	Nut, Hex, #10-24
540 07 12-01	N1	Axle Pivot Part	542 02 01-77*	W,AA	Nut, Hex Jam 1/2"-13
541 20 04-83	Q1	Clamp, Muffler	542 02 01-80*	N1,S1,S2	Nut, Hex Jam Thin 1-14 Z/P
541 20 05-32	H	Pulley, Cable Depth Indicator	542 02 01-97*	Z	Locknut, Fiber 5/16-18
541 20 05-33	H	Bearing, Flange	542 02 01-99*	I	Locknut, Fiber 3/8"-16 Z/P
541 20 05-73	Y	Term, Butt Splice 16-14 GA	542 02 02-16*	C1,N1	Locknut, Flex 1/2"-20 UNF #21FK
541 20 06-16	K	Boot, Dust Ejector 2"	542 02 02-44*	B1	Nut, Lock Wing 1/4"-20
541 20 06-42	K	Hose Clamp, Worm Drive SAE44	542 02 02-96*	Y	Nipple, Close 3/4" Pipe Galv
541 20 07-65	U1	Hose Ass'y,	542 02 03-04*	S1,S2	Pin, Dowel 3/8" x 1.5
541 20 08-48	S2	V-Belt, 3Gr 3VX530 - 3 Band	542 02 03-13*	Z	HHCS, 5/16-18 x 3/4 Gr5
541 20 09-89	K	Gauge, Air Flow Restriction	542 02 05-40*	A	SHSS, .25-20 x .25
541 20 15-93	E1,E2	Switch, Toggle, DPDT, 3 Pos.	542 02 05-87*	E1,E2	HWHSTS, 10-24 x 3/8" Type SL
541 20 20-61	H	Pulley, Depth Indicator	542 02 06-10*	O1,O3	Pin, Cotter .0625 x 3/4" Z/P
541 20 39-66	V1	Hyd.Fit., 2406-6-4	542 02 06-14*	F,H	Pin, Cotter 1/8" x 1
541 20 45-91	Y	Fitting, Str. Elbow, 3/4" Pipe Galv	542 02 06-16*	N1,N3	Pin, Cotter 1/8" x 1.5 Z/P
541 20 46-61	Y	Fitting, 3/4" FGH Sw x 3/4" FPT	542 02 07-39*	O1,O3	Washer, Flat #10 Z/P
541 20 46-82	O1,O3	Grease Zerk, 1/8NPT X 45	542 02 07-42*	U2	Washer, Flat 5/16" Z/P
541 20 47-56	U1,V2	Fit., Hyd 6400-6	542 02 07-45*	C1,F,G,I	Washer, Flat 1/2" Z/P
541 20 47-68	U1,V1	Fit., Hyd 6801-4-6	542 02 07-64*	U1	Washer, Flat SAE 3/8" Z/P
541 20 48-55	J	Fit., Hyd 4024-12-8	542 02 07-67*	X1	Washer, Flat SAE 5/8" Z/P
541 20 48-70	P3,P4	Fit., Hyd 4312-8	542 02 07-77*	U2	Lockwasher, 5/16" Hi-Collar
541 20 49-11	U1	Fit., Hyd 304-C-6	542 02 08-64*	X1	Plug, 1/8" NPT Brass Soc Hd
541 20 49-38	C2	HHCS, 1/2-13 x 5" Gr5	542 03 08-22*	H	Wheel, Cart
541 20 49-83	U1	Fit., Hyd 6804-6	542 03 23-66*	H	Nut, KEPS 5/16-18 Z/P
541 20 49-91	N1,N3	Fit., Hyd 6400-6-10	542 04 03-30*	L	Spring, .054 Wire x 3/8" OD x 3.5
541 20 50-59	U1	Fit., Hyd 6801-4-4	542 04 56-40*	J	Washer, Filter
541 20 52-53	I,E1-2,U2	Nut, 10-32 Fiber Lock	542 04 56-42*	J	Fit. Assy 1/2" NPT x 3/4" GH
541 20 57-96	O1,O3	Washer, Lock M10 Din 127	542 04 61-01*	X1,X2	Washer, Fiber 1"ODx.406 IDx.094
541 20 68-88	S1,S2,T	Inner Flange 5", B/O	542 04 61-28*	X1,X2	Decal: Warning (Bld Grd Size)
541 20 71-34	S2,T	Pulley, Blade Shaft, 5.20" Tpr 6 Gr	542 04 64-02*	O1,O3	Washer, Flat 1.03125 Z/P
541 20 71-36	S2,T	Pulley, Blade Shaft, 4.50" Tpr 6 Gr	542 04 68-98*	L	Plug, 1/4"NPT Hollow Hex
541 20 71-46	S2	Pulley, Engine, 4.12" Tpr 6 Gr	542 04 71-61*	O1,O3	Ball Bearing, 1.25 Pillowblock
541 20 71-48	S1	Pulley, Engine, 3.5" Tpr 6 Gr	542 04 87-40*	U1	HHCS, 3/8"-16 x 1.25 Gr5 Z/P
541 20 71-49	S2	Pulley, Engine, 4.50" Tpr 6 Gr	542 04 87-52*	C1	HHCS, 1/2"-13 x 4 Gr5 Z/P
541 20 71-50	S1	Pulley, Engine, 4.75" Tpr 6 Gr	542 05 21-20*	Z	Switch, Toggle 2X464
541 20 80-06	T	Flange End Cover	542 06 04-65*	F,H	Pin, Clevis .5-4A x 3/8"
541 20 80-22	T	O-Ring -044	542 09 05-52*	Y,Z	Plate, Switch - On/Off
541 20 82-81	D	Latch, 1/4 Turn	542 13 65-84*	Y	Wire, Red 16 GA

NOTE: Part No's. that have an ASTERISK (\*) suffix may not be active 9-digit numbers. The '542' prefix has been added to current 6-digit part numbers and '0' to 7 and 8-digit numbers.

FS 4800 D Husqvarna

PART NO.	POS.	DESCRIPTION	PART NO.	POS.	DESCRIPTION
542 13 66-85*	I	Nut, Hex #10-32	542 16 68-80*	K	Adaptor, Restriction Indicator
542 13 90-45*	X2	Manifold, Water	542 16 69-07*	P1	Valve, Oil Drain
542 13 90-51*	X2	Gasket, Water Manifold	542 16 69-57*	X1	HHCS M16-2.0 x 110 DIN931
542 13 92-60*	U1	Battery Cable, Negative	542 16 69-85*	X1	Water Tube - 26"
542 13 95-68	F,G	Handle Grip	542 16 69-86*	X1	Water Tube - 18 "
542 13 95-81*	C2	Spring	542 16 70-35*	N2,O2,O4	Pin, Cotter Hair Spring .5-.625
542 13 96-49*	P3	Bushing, Brass 1/2" NPT x 1/4"NPT	542 16 72-89*	X1,X2	Decal: Blade Direction - Small
542 13 97-42*	I,X1,Z	Locknut, Fiber M12 Din 985 Z/P	542 16 72-98*	X1,X2	Decal: Blade Guard Caution
542 13 97-45*	X1	Locknut, Fiber M6 Din 985	542 16 74-31*	N1,N3	HHCS, M12-1.75 x 65 DIN931ZP
542 13 97-46*	X1	Washer, Flat M6 Z/P	542 16 74-47*	Q1	HHCS, M16-2.0 x 45 DIN931 Z/P
542 13 97-51*	X1,Z	HHCS, M12-1.75 x 25 DIN933	542 16 74-48*	Q1,X1	Locknut, Fiber M16-2.0
542 13 97-59*	X1	HHCS, M6-1.0 x 45 DIN931 Z/P	542 16 74-49*	B1	Eyebolt, M6-1.0 x 50 OAL
542 13 97-61*	X1	HHCS, M6-1.0 x 20 DIN931 Z/P	542 16 74-77*	Q2	Clamp, Cable
542 16 01-72*	D,Q2	Cable, Throttle	542 16 74-91*	B1	SHCS, CSK M10-1.5 x 25
542 16 01-96*	M	Pointer Rod, Front Z/P	542 16 75-03*	X1	Bolt, Latch Pivot M8-1.25 Z/P
542 16 03-93*	B2,Q1,S1,S2	Washer, Flat .6875 Z/P	542 16 75-55*	L,P3-4	U-Nut, M8-1.25 (.8-4 mm Mat'l)
542 16 07-04*	P3,P4	Petcock	542 16 75-55*	A,B1,D,F,G,J	U-Nut, M8-1.25 (.8-4 mm Mat'l)
542 16 31-72*	S1,S2,T	Collar, Outer W/Pin Quick Discon	542 16 77-61*	X1	HHCS, M5-0.8 x 20 DIN933 Z/P
542 16 31-86*	I	Bushing, Brass	542 16 78-18*	X1	FLHMS, M6-1.0 x 16 Slot
542 16 31-87*	B2	Washer, SP .0625 X.375x1.5 Z/P	542 16 78-24*	X1	Hinge, 2" Width Z/P
542 16 31-88*	X1	Spring, Extension Stainless	542 16 79-25*	B1	FHCS, M8-1.25 x 30 FT
542 16 32-14*	P4	Knob, 1.5 Dia	542 16 90-65*	B2	Decal: Muffler
542 16 32-45*	B2,D,S2	Grommet 5/8" I.D.	542 16 93-96*	Y	Washer, Flat M5
542 16 32-72*	S1,S2,T	Outer Collar W/Dowel Pin 6"	542 16 94-30*	A	Rivet, Pop 1/8" x 3/8" Alum
542 16 32-75*	X1,X2	Guard, Splash - 3"	542 17 18-91*	L	Blind Rivet 3/16" Dia
542 16 33-19*	W	Valve, Check	542 17 20-11*	X1	Nut, Hex M5-.80 DIN934
542 16 33-20*	W	Seal, Reservoir	542 17 20-17*	X1	Nut, Hex M6-1.0
542 16 33-26*	W	Strainer	542 17 23-06*	B2	HHCS, M12-1.75 x 40 DIN931ZP
542 16 33-28*	W	Coupling, Motor-Pump	542 17 25-01*	C2	HHCS, M10-1.5 x 110 DIN931ZP
542 16 33-50*	W	Spring, Valve	542 17 30-05*	P1	HHCS, M10-1.5 x 16 DIN933 ZP
542 16 33-51*	W	Spool Assy, Valve	542 17 30-06*	P1	Lockwasher, External Star M10
542 16 33-88*	X1	Manifold, Water Assy	542 17 30-09*	O1,O3	Nut, Hex M12 DIN934
542 16 33-89	X1	Guard, Splash - 2"	542 17 30-10*	C1	Nut, Hex Low, M12-1.75
542 16 33-95*	X1	Clamp, Water Tube Z/P	542 17 30-19*	X1	Lockwasher, Star External M8
542 16 34-85*	S1,S2	Pin, Dowel 3/8" X 1.75	542 17 30-59*	X1	Washer, Flat M8
542 16 34-87*	S1,S2	HHCS, 5/8"-11x3.5 RH THD GR BD	542 17 46-79*	F,G	Lever, Adjustable
542 16 34-88*	S1,S2	HHCS, 5/8"-11x3.5 LH THD GR BD	542 17 47-40*	Y	Clamp, Hose - Worm Drive SAE 00
542 16 35-82*	M	Wheel, 5"	542 17 49-86*	Y	Clamp, Hose - Worm Drive SAE 12
542 16 36-72*	D	Grommet 3/4 I.D.	542 17 61-77*	P3,P4	Hose, Water 1/2"MPT x 3/4"FGH x 49"
542 16 39-77*	B2	Chain Loop, Tiedown - Z/P	542 17 62-23*	A	Decal: Caution (Shields)
542 16 42-43*	T	Fitting, Grease	542 17 63-83*	E1,E2	Switch, Mushroom Stop
542 16 43-70*	N2,Y	Terminal Tab, Insul Push On, Male	542 17 68-11*	A	Pin, Clevis 3/8" Dia x 1.38
542 16 46-32*	N1,N3,S-2	Key, Woodruff (ANSI #808)	542 17 69-96*	I	Arm, Shifter Pivot Z/P
542 16 60-38*	F,G,Z	Knob, 1.25 x 3/8-16UNC 2A	542 17 70-56*	Z	Terminal, Wire 1/4" (16-14Ga)
542 16 61-21*	W	Solenoid, Starter 12 VDC	542 17 70-56*	Y	Terminal, Wire 1/4" (16-14Ga)
542 16 62-21*	E1,E2	Hour Meter	542 17 72-39*	N2	Pin, Rue Ring 1/2" Dia
542 16 62-56*	U2	Locknut, Filer 5/16-24	542 17 72-45*	D	Rivet, Pop 1/8" Dia x .06-.13
542 16 63-07*	S1,S2,T	Blade Flange W/Pin - 5" QDS	542 17 86-87*	Y	Fitting, 3/4" MGH x 3/4" MPT
542 16 63-52*	Q1	Isolator, Engine	542 17 87-24*	J	Switch, Pressure, N.O.
542 16 63-56*	Q1	HHCS, M16-2 x 100 DIN931 Z/P	542 18 00-20*	W	Valve, Lowering
542 16 63-59*	E1,E2	Gauge, Water Temp	542 18 00-23*	W	Screen, Filter
542 16 63-68*	B1,C1,C2,Q1	HHCS, M16-2 x 90 DIN933 Z/P	542 18 04-27*	E1,E2	Decal: Patents
542 16 63-93*	Q2	Cap, Radiator 10 PSI	542 18 10-39*	I	Washer, Friction 2"
542 16 64-38*	E1,E2	Gauge, Voltmeter	542 18 10-59*	F	Decal: Diesel
542 16 64-48*	P1	Filter Head	542 18 11-18*	Z	Support Tube: PC BLK
542 16 64-49*	P1	Filter, Spin-On	542 18 11-20*	Z	Support Bar: PC BLK
542 16 64-53*	K	Air Filter Element: Primary	542 18 11-24*	Z	Grommet: 3/16"
542 16 64-54*	K	Air Filter Element: Safety	542 18 11-26*	Z	Wire Assy: 36" x 16 GA - Blk
542 16 64-66*	I	Rod End	542 18 11-27*	Z	Wire Assy: 16" x 16 GA - Blk
542 16 64-80*	S1,S2	Washer, Flat 1.030 x 2.25 Z/P	542 18 11-78*	B1	J-Bolt: 1/4"-20 x 9.0 Z/P
542 16 64-91*	F,G	Collar, Set 1.25 ID - Mod Z/P	542 18 12-06*	O2,O4	Orifice, Disk .031
542 16 65-94*	W	Coil, 12 VDC	542 18 13-61*	D	Grommet
542 16 66-22*	E1,E2	Block, Fuse	542 18 20-99*	I	Terminal Lug, Solder
542 16 66-24*	L	Fastener, Tuflok	542 18 21-02	I	Switch, Toggle
542 16 66-31*	R	Hose Clamp, Worm Drive SAE36	542 18 21-46*	I	Boot, Half-Toggle Switch
542 16 66-74*	P2	Clamp, Vinyl Coated 3/8 x 3/8	542 18 22-19	E1,E2	Switch, Rocker
542 16 66-85*	P2	Rotor Assy, Electric Clutch	542 18 22-20	E1	Switch, Rocker - CL (Optional)
542 16 67-07*	E1,E2	Keyswitch, Ignition	542 18 22-28	H	Harness, Depth Stop
542 16 67-08	E1,E2	Relay, NO/NC	542 18 22-33	P2	Diode Assy, FSZ Clutch
542 16 67-50*	X1	Manifold Assy	542 18 22-63	E1,E2,I	Wire Harness, Cowl
542 16 68-15*	X1	Water Tube - 30"	542 18 22-78	E1,E2,P1	Wire Harness, Engine
542 16 68-16*	X1	Latch Z/P	542 18 23-05	B1,C1-2	Bracket, Support (Engine) - Husq. Gray
542 16 68-46*	X1	Water Tube - 36"	542 18 30-01*	I	Bushing: I-Glide
542 16 68-54*	E1,E2	Key, Ignition Set/2	542 18 31-24*	C1,I	Washer: 1/2" Belleville
542 16 68-55*	E1,E2,Y,Z	Fuse: 10A Push In	542 18 31-54*	I	HHCS, 3/8"-16 Special
542 16 68-57*	E1,E2	Fuse: 5A Push In	542 18 33-75*	P3,P4	Hole, Plug: 3/4"
542 16 68-78*	E1,E2	PHMS, 10-24 x 1 Type F	542 18 33-82*	E2	Switch, Toggle (Tach Switch)

NOTE: Part No's. that have an ASTERISK (\*) suffix may not be active 9-digit numbers. The '542' prefix has been added to current 6-digit part numbers and '0' to 7 and 8-digit numbers.

FS 4800 D Husqvarna

PART NO.	POS.	DESCRIPTION	PART NO.	POS.	DESCRIPTION
542 18 35-30*	P1	Fitting, Elbow M22-8JIC	542 19 91-38	N2	Actuator, Linear, 40mm Stroke
542 18 37-69*	D	Decal: Throttle Diesel	542 19 92-10	R	Draw Tube, Fuel Line
542 18 39-98*	X1	Lanyard, Nylon Coated S. S.	542 19 92-35	R	Fit., Hyd Straight Thread Elbow
542 18 39-99*	X1	Drive Screw #10 X .25 Lg	542 19 92-39	N2	Pivot Pin, Actuator 12mm, Z/P
542 18 60-48*	S1	V-Belt, 3Gr 3VX450 - 3 Band	542 19 92-41	N2	Pivot Pin, Actuator 10mm, Z/P
542 18 83-24*	B2	HHCS, M16-2.0 x 45, 10.9	542 19 92-47	J	Bracket, Water System, Z/P
542 18 83-38*	U2	SHCS, M8-1.25 x 25	542 19 93-08	H	Brkt, Wheel, Depth Ind - Black
542 19 04-16	S1	V-Belt, 3Gr 3VX425 - 3 Band	542 19 93-87	P2	Hub, Clutch Drive
542 19 04-33	N1	Hub Assy, w/Bearings & 1 Seal	542 19 93-96	P2	Field Coil Assy
542 19 05-94	F,G	Decal: Crush Hazard	542 19 94-14	V1	Cartridge, C'balance Valve
542 19 05-95	P4	Decal: Gearbox Range	542 19 94-26	N1	Nut, Castle, 1-14 UNF
542 19 05-96	E2	Decal: Gearbox, 4.5" Flange	542 19 94-27	N1	Washer, 1" Bearing Spacer
542 19 05-98	E2	Decal: Gearbox, 5.0" Flange	542 19 94-33	E1,E2	Decal: Easy Track Control
542 19 05-99	E1	Decal: Blade RPM & Size (1-Spd)	542 19 94-35	D	Decal: Axle Adjustment, Manual
542 19 06-00	E2	Decal: Gearbox, 6.0" Flange	542 19 94-80	P2	Bushing, Rubber 1/2 x 3/4
542 19 06-06	P4	Decal: Gearbox Operation	542 19 96-33	N1,N2	Disc, Slider, 2.75" Dia
542 19 06-07	E1,E2	Decal: Differential Switch	542 19 96-37	Y	Water Pump - compl
542 19 06-16	D	Decal: Fuel Level	542 19 96-39	Y	Fitting, Water Pump Port 1/2x90 Deg
542 19 06-18	G	Decal: Depth Indicator (CE)	542 19 96-40	Y	Kit, Grommet, Water Pump
542 19 06-19	J	Decal: Op Instr, FS4800 (CE)	542 19 96-41	Y	Filter, Inlet
542 19 06-28	B2	Decal: Hydro Bypass Valve	542 19 96-43	Y	Strainer Screen, W/P Inlet Filter
542 19 06-32	AA	Decal: PARKING BRAKE	542 19 96-48	Y	Switch, Toggle, SPST
542 19 07-03	F,G	Decal: Husqvarna FS4800D	542 19 96-49	Y	Boot, Switch
542 19 07-35	A	Decal: Husqvarna Crown - 3"	542 19 96-57	Y	Hose Assy, 1/2" Male Garden Hose
542 19 12-40*	B2	Tab, Mount - Black	542 19 96-58	Y	Hose Assy, 3/4" Fem Garden Hose Sw
542 19 12-84*	T	Fitting, 1/8" NPTF Extension	542 19 96-71	Y	Cord Assy, Electrical, Water Pump
542 19 13-16*	P1	Hose, Oil Drain, 20"	542 19 97-58	O2,O4	Check Valve
542 19 14-29*	T	Bearing: 209PP	542 19 97-59	O2,O4	Cylinder, Lift, 1.5 x 5.5 w/ 2-Cav
542 19 15-78*	B1	Battery, Group 26	542 19 97-61	O2,O4	Cylinder, Lift, 1.5 x 5.5 W/ Valves
542 19 17-16*	O1,O3	Wheel, w/ Ball Bearing 6" x 2.0	542 19 97-89	Q1	Bracket, Speed Cntrl Mnt, Black
542 19 19-62*	B1,C1,C2,X1	Washer, Lock, Split M16 DIN127	542 19 97-93	S2	Gearbox, Rt Angle, SAE5, 3-Speed
542 19 19-63*	T	Vent Plug 1/8 NPT	542 19 98-09	L	Radiator, Service Saw
542 19 19-96*	P1,P2	HHCS, M8-1.25 x 20, 10.9	542 19 98-34	P2	Armature, SAE 5
542 19 51-27*	X1	Hinge, Blade Guard, Z/P	542 19 98-40	P1	Coupling, SAE 5, 7.5" Flywheel
542 19 60-29*	X1	Decal: Lwa 119dB	542 19 98-44	Q1	Gearbox Isolator Bracket, Black
542 19 61-73	J	Hose, Water 66" 1 x FGH	542 19 98-48	O3	Front Axle Wldmt, RP, Black
542 19 71-01*	Y,Z	Cable Tie, Plastic 8 In X .094	542 19 98-56	O4	Mounting Lug, Cylinder, Blk - RP
542 19 71-70*	X1	Wing Bolt: M6 x 16 DIN931	542 19 98-60	N1	Seal, Shaft 1.25 X 2"
542 19 72-27*	X1	HHCS, M8-1.25 x 20 DIN933 ZP	542 19 98-61	N1	Bearing, Tappered Roller, 1"
542 19 72-30*	B1	Nut, Hex Jam M8-1.25	542 19 98-66	O2	Mounting Lug, Cylinder, Blk - FP
542 19 81-19*	N/S	Boot, Rubber, Battery Cable, Red	542 19 98-71	Q1	Engine Mount, Front Arm, Black
542 19 81-63*	X1	Blade Guard, 18" Husq. Gray-Compl	542 19 98-77	L	Radiator Pan, Black
542 19 81-64*	X1	Blade Guard, 26" Husq. Gray - Compl	542 19 98-80	Q2	Radiator Hose, Suction Side
542 19 81-65*	X1	Blade Guard, 30" Husq. Gray - Compl	542 19 99-02	D	Bracket, Fuel Filter, Black
542 19 81-66*	X1	Blade Guard, 36" Husq. Gray - Compl	542 19 99-11	C2	Block, Rear Axle Spacer, Black
542 19 81-82*	X1	Blade Grd: Front 26" H. Gray w/ Decals	542 19 99-13	C2	Block, Front Axle Spacer, 2",Black
542 19 81-83*	X1	Blade Grd: Front 30" H. Gray w/ Decals	542 19 99-17	P1	Engine, Yanmar TNV88
542 19 81-84*	X1	Blade Grd: Front 36" w/ Decals Gray	542 19 99-20	N2	Actuator Bracket, LH Rear, Black
542 19 82-40*	O2,O4	Fitting, 6400-L-4	542 19 99-21	N2	Actuator Bracket, LH Front, Black
542 19 84-41	S1	V-Belt: 3Gr 3VX415 - 3 Band	542 19 99-26	B2,U1	Lift Pump Mount, Black
542 19 87-78	X1	Blade Guard, 18x3" Husq. Gray-Compl	542 19 99-28	U1,W	Lift Pump Assy
542 19 87-80	X1	Blade Grd: Front 18x3" H. Gray w/Decals	542 19 99-29	Q2	Radiator Fill Tube, Black
542 19 88-42	N1,N3	Wheel, Rear 10 Dia x 3"	542 19 99-31	Q2	Radiator Hose, Engine Outlet
542 19 88-43	N1,N3	Wheel Hub	542 19 99-33	K	Hose, Air Intake
542 19 88-58	S1,T	Pulley, Blade Shaft 4.75" Tapr, 6 Gr	542 19 99-35	I	Bracket, Speed Control, Z/P
542 19 88-64	S1,S2,T	Flange, Inner, 6" - B/O	542 19 99-42	H	Depth Indicator Brkt Wld, Black
542 19 88-65	S1,T	Pulley, Blade Shaft 5.6" Tapr, 6 Gr	542 19 99-56	L	Fan Shroud, Top
542 19 88-66	S1,S2,T	Pulley, Blade Shaft, 4.12" Tpr 6 Gr	542 19 99-57	L	Fan Shroud, Bottom
542 19 88-78	N1,N3	Wheel Motor	542 19 99-58	P1	Sprocket, 30 Tooth, Black
542 19 89-15	B2,U1,V1	Bypass/C' Balance Valve	542 19 99-61	D	Air Dam, LH, Black
542 19 89-16	O2,O4	Needle Valve	542 19 99-63	D	Air Dam, LH Top, Black
542 19 89-17	V1	Cartridge, Needle Valve	542 19 99-65	D	Air Dam, RH Top, Black
542 19 89-27	L	Grommet, 1/2 x 1.25 OD	542 19 99-69	U2	Bearing 9106K
542 19 89-32	O2,O4	Pin, 3/4" Dia x 2.25 Z/P	542 19 99-72	U2	Gear & Coupler
542 19 89-53	P2	Snap Ring, 1.375 Shaft	542 19 99-79	U2	Hydro, 6 CC, Hydro Gear
542 19 89-65	N1	Pivot Swivel, M12 Z/P	542 19 99-90	O1,O3	Depth Indicator Arm, Axle, Black
542 19 90-17	G	Handlebar Mount Wldmt, RH, Z/P	542 19 99-97	S1	Right Angle Gearbox, SAE 5,Black
542 19 90-18	F	Handlebar Mount Wldmt, LH, Z/P	542 20 21-25	C1	HHCS, M12-1.75x175 10.9 DIN933
542 19 90-44	B2,T	HHCS, M8-1.25 x 75 8.8 Z/P	542 20 21-84	A	Washer, Tube 8mm ID
542 19 90-45	S1	Key 1/4" Sq x 2.5 Round Both Ends	542 20 40-52	I	Switch, Pushbutton
542 19 90-53	N1,N3,O1,O3,	Bolt, Hex Wshr Hd M8-1.25x25 Dog Pt	542 20 51-17	D,R	Fuel Pump
542 19 90-53	P1-4,Q1,R,AA	Bolt, Hex Wshr Hd M8-1.25x25 Dog Pt	542 20 51-18	D,R	Fuel Separator
542 19 90-53	A,B2,C1,D,G,J	Bolt, Hex Wshr Hd M8-1.25x25 Dog Pt	542 20 51-20	P1	Speed Sensor
542 19 91-24	J	Fit., Pipe, 2107-8-8-S	542 20 51-34	D	Sub-Tank Assy
542 19 91-26	J	Fit., Pipe, 1/2 MMO-S	542 20 51-36	D	Bracket, Sub-Tank
542 19 91-27	J	Fit., Pipe, 1/2 CD45-S	542 20 51-43	P1	Bracket, Tachometer
542 19 91-28	X1,AA	Spring, Blade Guard, Z/P	542 20 51-48	B1	Battery Tray

NOTE: Part No's. that have an ASTERISK (\*) suffix may not be active 9-digit numbers. The '542' prefix has been added to current 6-digit part numbers and '0' to 7 and 8-digit numbers.

FS 4800 D Husqvarna

PART NO.	POS.	DESCRIPTION	PART NO.	POS.	DESCRIPTION
542 20 51-51	I	Cable, Speed Control	542 20 62-58	P4	Shift Rod - Long
542 20 51-52	P1	Exhaust Connection, Black	542 20 62-71	D	Tab, Fan Guard Mount, Black
542 20 51-62	B1,Q1	Engine Front Pivot, Black	542 20 62-73	U1	Breather, Vent Plug
542 20 51-63	U2	Aux Drive SAE AA	542 20 62-82	Q1	Muffler, Engine, Hi Temp Black
542 20 51-64	K	Rain Cap, 2.5" ID	542 20 62-84	B1	Spade, Blade Grd, Short, LH, Black
542 20 51-65	K	Air Cleaner Cover Assembly, 6"	542 20 62-89	O1,O3	Pin, Clevis SAE 3/16
542 20 51-66	K	Air Cleaner Assembly, 6"	542 20 62-92	E1,E2	Nut, Deutch Connector
542 20 51-69	B1	Bracket, Battery Holddown, Black	542 20 62-93	E1,E2	Washer, Deutch Connector
542 20 51-72	N3	Hose Assy, 6FJ90 x 6FJL90 x 19"	542 20 63-01	S1	V-Belt: 3Gr 3VX430 - 3 Band
542 20 51-73	N1	Hose Assy, 6FJ90 x 6FJL90 x 21"	542 20 63-03	V2	Cartridge, Sol Valve, Diff Lock
542 20 51-76	N3	Hose Assy, 6FJ90 x 6FJL90 x 23.5"	542 20 63-04	V2	Coil, 12VDC, Diff Lock
542 20 51-80	A	Nose Piece, Husqvarna Orange	542 20 63-05	M	Cable, Coiled, 5/16" x 9 Ft
542 20 51-82	B1	Cable, Battery POS, 4 AWG x 13.5" Red	542 20 63-18	A	Shield, Belt RH, Lower Inner, Black
542 20 51-83	B1	Cable, Lift Pump, 4 AWG x 25.5" Red	542 20 63-20	A	Shield, Belt LH, Lower Inner, Black
542 20 51-91	M	Extension, Pointer, Z/P	542 20 63-24	A	SBHCS M8-1.25 X 60, Z/P
542 20 53-08	I	Bracket, Raise/Lower Switch	542 20 63-38	T	Bladeshaft Assy, 1-Spd- Compl 4.5"
542 20 53-09	I	Switch, Raise/Lower - Compl	542 20 63-39	T	Bladeshaft Assy, 1-Spd - Compl 5.0"
542 20 54-38	L	Valve, Drain	542 20 63-40	T	Bladeshaft Assy, 1-Spd - Compl 6.0"
542 20 60-11	I	Handle & Switch Assy - Compl	542 20 63-54	B2	Hood Prop, Z/P
542 20 60-18	R	Fuel Tank, Pro48	542 20 63-56	Q1	Washer, Flat 2.50x.657x.188 Z/P
542 20 60-20	B2,N4,V1,V2	Valve, Differential Lock	542 20 63-60	P1	Filter, Fuel
542 20 60-22	P1	Bracket, Control Box, Black	542 20 63-61	P1	Belt, Alternator (A-36)
542 20 60-33	A,D	Bracket, Side Shield Mnt, Black	542 20 63-62	P1	Thermostat
542 20 60-37	P4	Belt Guard, Inner 3-Spd LH - Black	542 20 63-63	P1	Gasket, Thermostat
542 20 60-39	P4	Belt Guard, Inner 3-Spd RH - Black	542 20 63-64	P1	Starter Motor
542 20 60-44	H	Spacer, Limit Switch	542 20 63-65	P1	Alternator, 55 Amp P-Term
542 20 60-45	B1	Bracket, Fuel Tank Stop, Black	542 20 63-66	P1	Pressure Switch, Oil
542 20 60-50	O1,O3	Pin, Cylinder	542 20 63-69	P1	Filter, Oil
542 20 60-51	C2	Anchor, Spring, RP, Black	542 20 63-71	P1	Heater, Air Intake
542 20 60-57	N1	Hose Assy, 6FJ90 x 6FJ90 x 21"	542 20 63-72	U2	Spacer, Pump Lever, 5/16"
542 20 60-58	N1	Hose Assy, 6FJ90 x 6FJL90 x 31"	542 20 63-79	T	Bladeshaft Assy, 3-Spd - Compl 5.0"
542 20 60-60	U1	Hose Assy, 6FJ90 x 6FJ x 20"	542 20 63-80	T	Bladeshaft Assy, 3-Spd - Compl 6.0"
542 20 60-61	U1	Hose Assy, 4FJ90 x 4FJ x 34"	542 20 63-82	T	Bladeshaft Assy, 3-Spd - Compl 4.5"
542 20 60-62	U1	Hose Assy, 6FJ90 x 6FJ x 23"	542 20 63-93	T	Sprocket, 30 Tooth, Blade Shaft
542 20 60-63	U1	Hose Assy, 6FJ90 x 6FJ x 19"	542 20 63-97	P4	Handle, Shifter - Z/P
542 20 60-64	U1	Hose Assy, 6FJ90 x 6FJ x 33"	542 20 63-99	P4	Arm, Shift Connector - Black
542 20 60-65	U1	Hose Assy, 4FJ90 x 4FJ x 15"	542 20 64-01	P4	Shift Plate, Z-Pattern
542 20 60-67	U2	O-Ring, Hyd Gear Pump (-136)	542 20 64-08	G	Limiter Plate, Speed Control CE
542 20 60-68	A	Hinge, Tube Pivot, Z/P	542 20 64-09	M	Heat Shield CE, Black
542 20 60-73	A	Latch, 1/4 Turn Slot Head	542 20 64-16	P4	Stud, M10-1.50 x 25
542 20 60-88	A	Side Shield, RH, Husq. Orange	542 20 64-17	E1-2	LED, Red
542 20 60-90	B1	Latch Bracket, Front, Black	542 20 64-26	A	Panel, LH - Husq. Gray - Compl
542 20 60-98	B2	Brace, Lift Bale, FS4800,Black	542 20 64-28	A	Panel, RH - Husq. Gray - Compl
542 20 61-00	B2	Bracket, Latch, Black	542 20 64-31	D	Rear, Removable Panel, H. Gray-Compl
542 20 61-05	A,Q1	Side Shield, LH, Husq. Orange	542 20 64-32	P1	Oil Drain - Compl
542 20 61-07	R	Hose, Fuel Fill	542 20 64-33	L	Radiator Assy, FS4800/Pro 48
542 20 61-17	D	Shield, Alt Belt, Black	542 20 64-34	D,Q2	Hose 5/16" ID x 44"
542 20 61-27	P1	Sender, Water Temp	542 20 64-35	D,R	Hose Assy, Fuel Inlet (x13")
542 20 61-28	B1	Battery Cable, 4 AWG x 29, Black	542 20 64-36	Q2,R	Hose Assy, Fuel Return (x57")
542 20 61-29	J	Decal: Op Instr, Pro48D / FS4800	542 20 64-37	D,Q2,R	Hose 5/16" ID x 64"
542 20 61-33	N3	Rear Axle, RP - Compl	542 20 64-38	D,R	Hose, Fuel 5/16" ID x 7"
542 20 61-85	M	Pointer Assy, Front	542 20 64-47	S2	V-Belt, 3Gr 3VX520 - 3 Band
542 20 61-88	P1,P2	Bearing, Ultra Light 9305K 42mm	542 20 64-52	O3	Link, Depth Indicator
542 20 61-90	P1	Bracket, Filter Mounting, Black	542 20 64-54	W	Reservoir, Hydr Lift Pump
542 20 61-93	Q2	Hose Clamp, Worm Drive SAE20	542 20 64-55	W	Magnet , Lift Pump Reservoir
542 20 61-94	N1,N3	Rear Axle Mach, Black	542 20 64-56	W	Kit, Relief Valve
542 20 61-95	G	Decal, Depth Indicator	542 20 64-57	W	Motor, Lift Pump
542 20 61-97	J	Fit., Pipe Nipple 1/2 x 1.5 NPT Galv	542 20 64-68	E1,E2	Instrument Box Weld, H. Gray
542 20 61-98	J	Valve, Ball 1/2 NPT	542 20 64-72	E1,E2	Instr Control Box, Husq. Gray - compl
542 20 61-99	L	Filter, Radiator	542 20 64-75	E	Instrument Panel, Husq. Gray
542 20 62-01	L	Lanyard, Filter Retainer	542 20 64-77	E1,E2	Decal: Instr Panel
542 20 62-02	S1,S2,T	Flange, Inner 4.5", B/O	542 20 64-78	S2	Tool: Dowel Pin M5 x 50
542 20 62-05	O1,O3	Ring, Snap	542 20 64-83	T	Blade Shaft w/ Tach FS48
542 20 62-06	H,O1,O3	Cable, Depth Indicator	542 20 64-84	T	Tube, Blade Shaft w/ Tach FS48
542 20 62-10	H	RHMS, #6-32 x 1.25, Z/P	542 20 64-91	P3	Belt Guard, Inner 1-Spd LH, Black
542 20 62-11	U2	Gasket, Aux Drive	542 20 64-93	B1	Pad, Battery Tray
542 20 62-12	U2	Speed Control Arm, Black	542 20 64-94	A,B1	Frame, Husq. Gray
542 20 62-14	E1,E2	Switch, Toggle- DPDT 3 Pos.	542 20 64-95	B2	Plate, Latch, Top Front, Black
542 20 62-29	Q2	Hose, Radiator Short	542 20 64-97	G	Cowl Side, RH, H. Orange
542 20 62-47	P1	Blade, Fan 410mm	542 20 64-98	F	Cowl Side, LH, H. Orange
542 20 62-48	P1	Spacer, Fan 8mm	542 20 64-99	B2	SBHCS, M10-1.5 x 35 10.9 Pltd
542 20 62-49	P1	Seal Ring, Brass M16	542 20 65-04	P3	Belt Guard, Inner 1-Spd RH, Black
542 20 62-51	H	Spring, Extension	542 20 65-07	P3-4	Bracket, Shield Mount - Black
542 20 62-52	L	Rubber Insulator, Neoprene	542 20 65-10	A	Latch, Hood Spring z/p
542 20 62-53	B1	Spade, Angled, RH, Black	542 20 65-16	AA	Brake Pad, Black
542 20 62-55	B1	Spade, Angled, LH, Black	542 20 65-18	AA	Brake Linkage, Black
542 20 62-57	B1	Pad, Fuel Tank	542 20 65-20	AA	Pin, Threaded Z/P

NOTE: Part No's. that have an ASTERISK (\*) suffix may not be active 9-digit numbers. The '542' prefix has been added to current 6-digit part numbers and '0' to 7 and 8-digit numbers.

FS 4800 D Husqvarna

PART NO.	POS.	DESCRIPTION	PART NO.	POS.	DESCRIPTION
542 20 65-22	AA	Parking Brake	725 25 11-51	B1	HHCS, M10-1.5 x 100, 8.8
542 20 65-23	AA	Pin, Brake Z/P	725 25 13-51	C2	HHCS, M10-1.5 x 110, 8.8
542 20 65-25	AA	Bracket, Parking Brake Base,Black	725 25 34-71	M	HHCS, M12-1.75 x 25, 8.8
542 20 65-27	AA	E-ring, Retainer 3/8" Shaft	725 25 44-51	M	HHCS, M12-1.75 x 60, 8.8 Z/P
542 20 65-28	AA	E-ring, Retainer 1/2" Shaft	725 25 45-71	O1,O3	HHCS, M12-1.75 x 65, 8.8 DIN933
542 20 65-29	AA	Rod End, Threaded 1/2"-13	725 25 56-71	C2	HHCS, M12-1.75 x 120, DIN933
542 20 65-30	AA	Handle, Brake, Black	725 53 66-01	X2	SHCS, M6-1.0 x 12 ISO 4762
542 20 65-32	AA	Pin, Brake Pivot Z/P	725 54 55-55	P2	SHCS, M8-1.25 x 30 DIN912 12.9
542 20 65-34	S1,S2,T	Assy, Blade Shaft FS48, L/PL FL	731 23 16-01	B1,AA	Nut, Hex M6 Din 934
542 20 65-44	P4	Decal: Bld Size/Gearbox Hood 4.5"	731 23 18-01	A,P1	Nut, Hex M8 Din 934
542 20 65-45	P4	Decal: Bld Size/Gearbox Hood 5.0"	731 23 20-01	B2	Nut, Hex M10 Din934
542 20 65-46	P4	Decal: Bld Size/Gearbox Hood 6.0"	731 43 16-01	P1	Nut, Hex, Thin, M6-1.0
542 20 65-47	E2	Decal: Tach Blade RPM/Gear 4.5"	731 43 20-01	P4	Nut, Hex Jam Thin M10-1.50, Z/P
542 20 65-48	E2	Decal: Tach Blade RPM/Gear 5.0"	731 43 22-01	M	Nut, Hex M12-0.4, ISO 4035, Z/P
542 20 65-49	E2	Decal: Tach Blade RPM/Gear 6.0"	732 25 14-01	O3,Q2,Y	Locknut, Fiber M5
542 20 66-39	A	Hinge, Tube End	732 25 16-01	D,H,X2,AA	Locknut, Fiber M6 Din 985
542 20 66-40	A	Tube, RH	732 25 18-01	A,B2,D,T,AA	Nut, M8-1.25 Nyloc
542 20 66-43	A	Tube, LH	732 25 20-01	B1,B2,AA	Nut, M10-1.50 Nyloc
542 20 66-45	A	Pin, Tube Connection	732 25 22-01	B2	Nut, M12-1.75 Nyloc
542 20 66-51	A	Cradle, Latch Black	734 11 52-01	D,P1,X2	Washer, Flat M6 Z/P
542 20 66-55	A	Latch, Hood	734 11 54-41	A,X2	Washer, Flat M6 Large Z/P
542 20 66-60	P3,P4	Breather Vent, 3/8" NPT	734 11 63-01	B2,D,P2	Washer, Flat M8
542 20 66-62	A	Brace, Cross Tube	734 11 65-41	A,A1	Washer, Flat M8 Large
542 20 66-70	Y	Plate, Water Pump Mount, Black	734 11 65-41	A	Washer, Flat M8 Large
542 20 66-73	E1,E2	Tachometer, Engine (1 & 3-Speed)	734 11 72-01	B1,B2,U2	Washer, Flat M10
542 20 66-77	A	Tube and Hood, Husq Orange - Compl	734 11 74-41	AA	Washer, M10 ISO 7093-10-140H
542 20 66-80	A	SBHCS, M8-1.25 x 50 10.9 Pltd	734 11 78-01	B2,C2,F,G	Washer, Flat M12, Z/P
725 23 29-71	O3	HHCS, M5-0.8 x 16 DIN933 Z/P	735 11 53-01	A,D,G,P1,X1,X2	Lockwasher, Split M6
725 23 33-71	Y	HHCS, M5-0.8 x 25 8.8	735 11 64-01	Q1,U2	Washer, Lock M8 Z/P
725 23 66-71	S2,T	HHCS, M6-1.0 x 12 8.8	735 11 64-01	A,B1-2,D,P1-2,	Washer, Lock M8 Z/P
725 23 68-71	D,G,P1,X2	HHCS, M6-1.0 x 16, 8.8 Z/P	735 11 73-01	B1-2,C1-2,P3-4,	Washer, Lock M10 Din 127
725 23 70-71	A,D,H,P1,X2	HHCS, M6-1.0 x 20, 8.8 Z/P	735 11 73-01	Q1,U2,AA	Washer, Lock M10 Din 127
725 23 72-71	AA,X2	HHCS, M6-1.0 x 25, 8.8	735 11 78-01	C2,N1,N3	Washer, Lock M12, Z/P
725 23 78-71	X2	HHCS, M6-1.0 x 40, 8.8 Z/P	740 38 08-01	S2,T	Washer, Sealing M6
725 24 49-71	D	HHCS, M8-1.25 x 16, 8.8			
725 24 51-71	P1	HHCS, M8-1.25 x 20, 8.8			
725 24 53-71	A,B2	HHCS, M8-1.25 x 25, 8.8			
725 24 55-71	B2,Q1	HHCS, M8-1.25 x 30, 8.8			
725 24 57-76	A,P2,U2	HHCS, M8-1.25 x 35, 10.9 Z/P			
725 24 67-51	D	HHCS, M8-1.25 x 80, 8.8			
725 24 91-71	B1,B2	HHCS, M10-1.5 x 20, 8.8 Z/P			
725 24 93-71	B1-2,C1-2,M,O1	HHCS, M10-1.5 x 25, 8.8			
725 24 93-71	O3,P4,Q1,U2,AA	HHCS, M10-1.5 x 25, 8.8			
725 24 95-71	B2,P3,P4	HHCS, M10-1.5 x 30, 8.8			
725 24 97-71	M	HHCS, M10-1.5 x 35, 8.8			
725 24 99-71	B2	HHCS, M10-1.5 x 40, 8.8			
725 25 01-51	B2	HHCS, M10-1.5 x 50 DIN933 ZP			
725 25 02-71	B2	HHCS, M10-1.5 x 55			
725 25 09-51	AA	HHCS, M10-1.5 x 90, 8.8			
<b>MISC ITEMS &amp; SPECIAL KITS</b>			<b>LEGEND</b>		
542 20 10-96	NS	IPL Parts List: FS4800, Husq	BHMS	Button Head Machine Screw	
542 20 10-97	E1-2	OM Op Instr: FS4800, Husq CE, 3-L	FLHMS	FLat Head Machine Screw	
542 20 10-98	NS	OM Op Instr: FS4800, Husq CE, 5-L	HHCS	Hex Head Cap Screw	
542 20 10-48	Y	Inst Sheet: Install Water Pump Kit	HWHSTS	Hex Washer Head Self-Tapping Screw	
542 20 11-09	AA	Inst Sht: Parking Brake Installation	RHMS	Round Head Machine Screw	
542 20 11-13	S2	Inst Sht: Proximity Switch	SBHCS	Socket Button Head Cap Screw	
542 0A 77-17*	Z	Inst Sht: Dual Work Light Kit	SBHMS	Socket Button Head Machine Screw	
501 04 66-01	P3	Kit, Replacement Belt Guard - RH	SHCS	Socket Head Cap Screw	
501 04 67-01	P3	Kit, Replacement Belt Guard - LH	SHSS	Scocker Head Set Screw	
541 20 71-00	S1,S2	Kit, Sheave Puller - Compl	STS	Self-Tapping Screw	
542 18 11-17*	Z	Kit, Light (optional)	PHCS	Pan Head Cap Screw	
542 19 11-42*	X1	Kit, Blade Guard Latch	PHMS	Pan Head Machine Screw	
542 20 64-56	W	Kit, Relief Valve	PHSTS	Pan Head Self-Tapping Screw	
542 20 65-15	AA	Kit, Parking Brake	FT	Full Thread	
542 20 66-33	B1	Kit, Blade Guard Attachment	Gr	Grade	
542 20 66-34	S2	Kit, Proximity Switch			

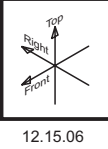
NOTE: Part No's. that have an ASTERISK (\*) suffix may not be active 9-digit numbers. The '542' prefix has been added to current 6-digit part numbers and '0' to 7 and 8-digit numbers.



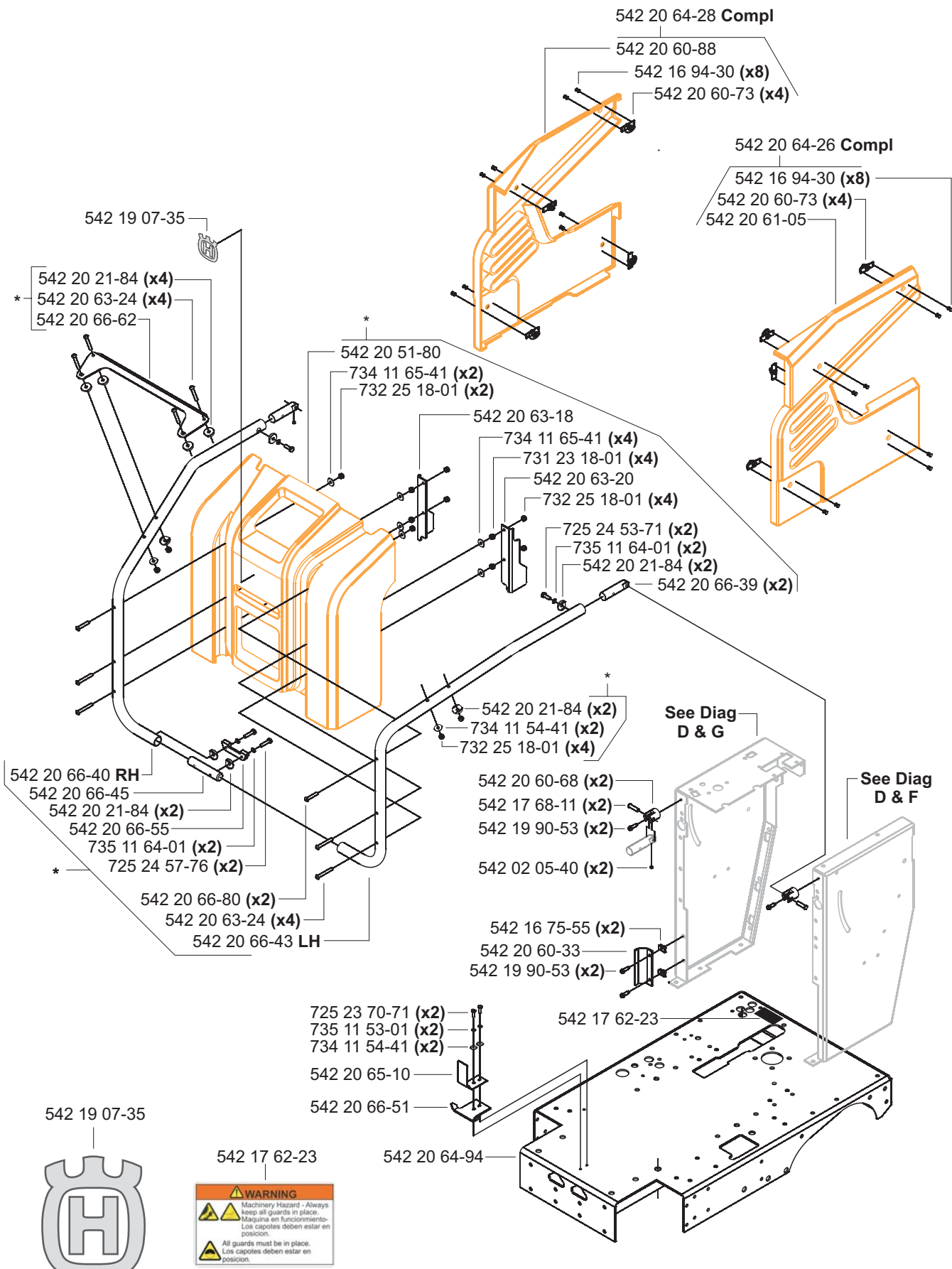


# A Frame, Nose & Side Panels

\*542 20 66-77 compl

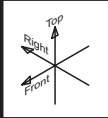


12.15.06

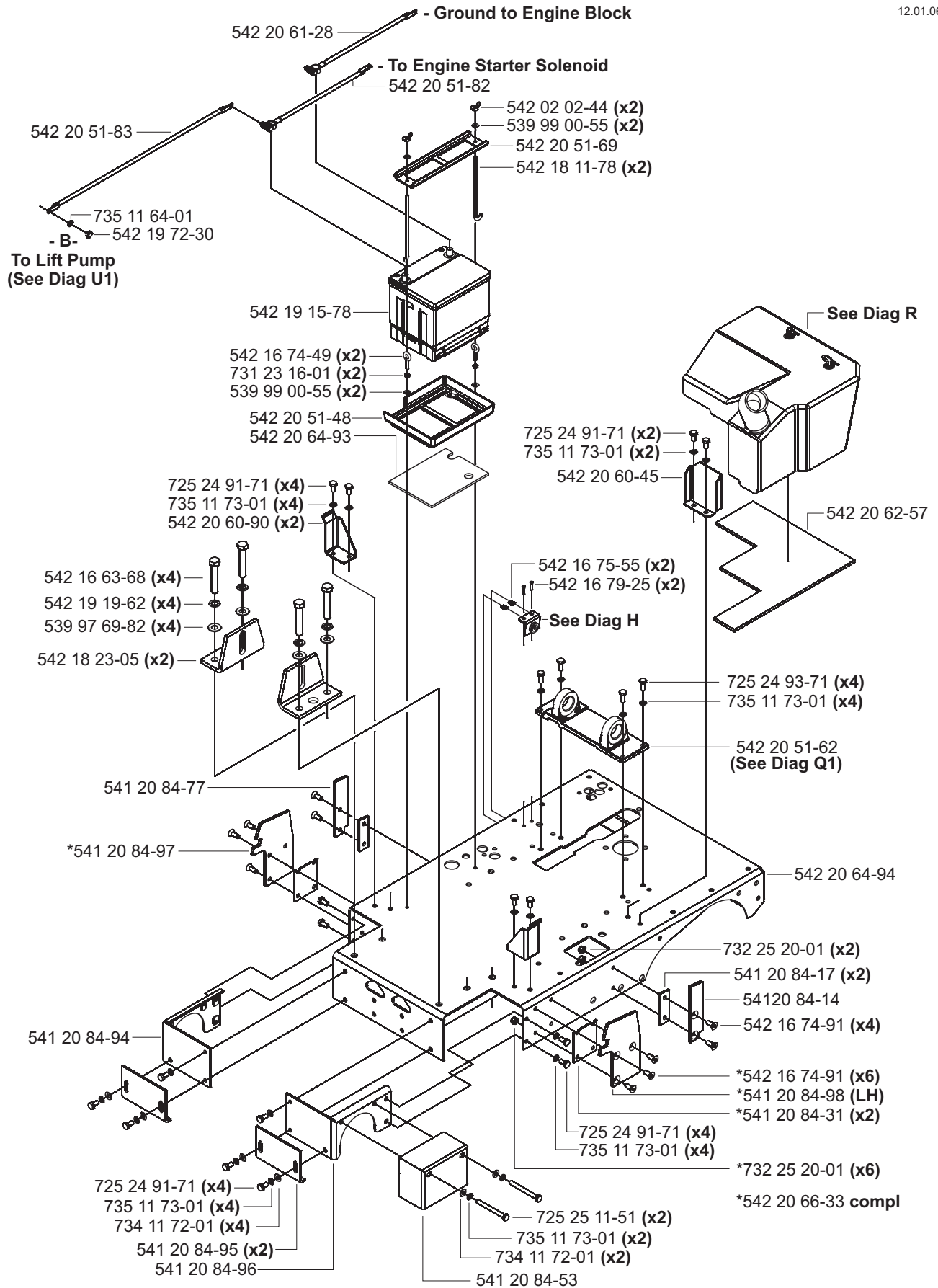


**WARNING**  
 Machinery Hazard - Always keep all guards in place.  
 Máquina en funcionamiento - Los capotes deben estar en posición.  
 All guards must be in place.  
 Los capotes deben estar en posición.

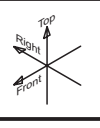
# B1 Upper Frame



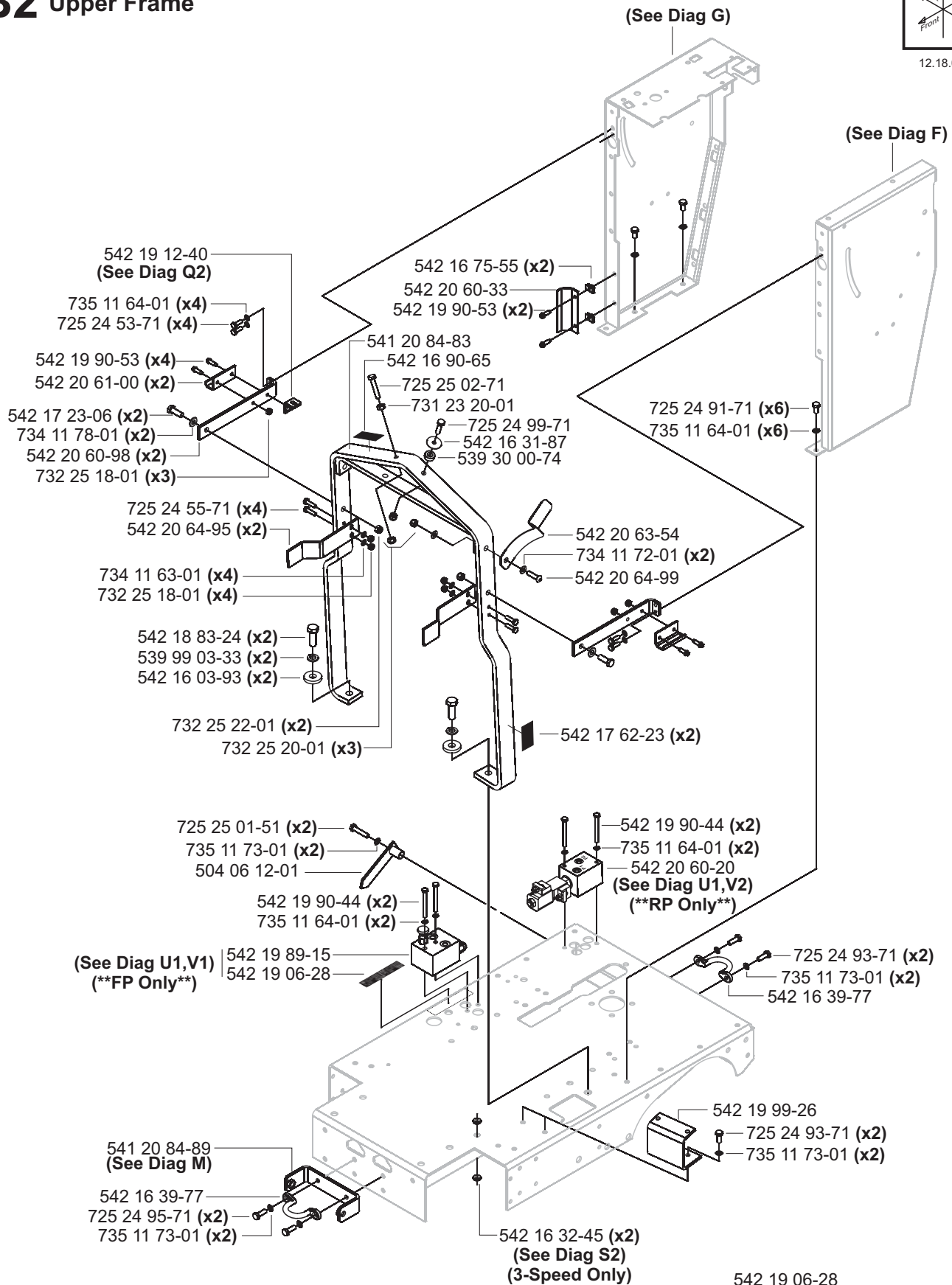
12.01.06



# B2 Upper Frame

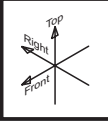


12.18.06

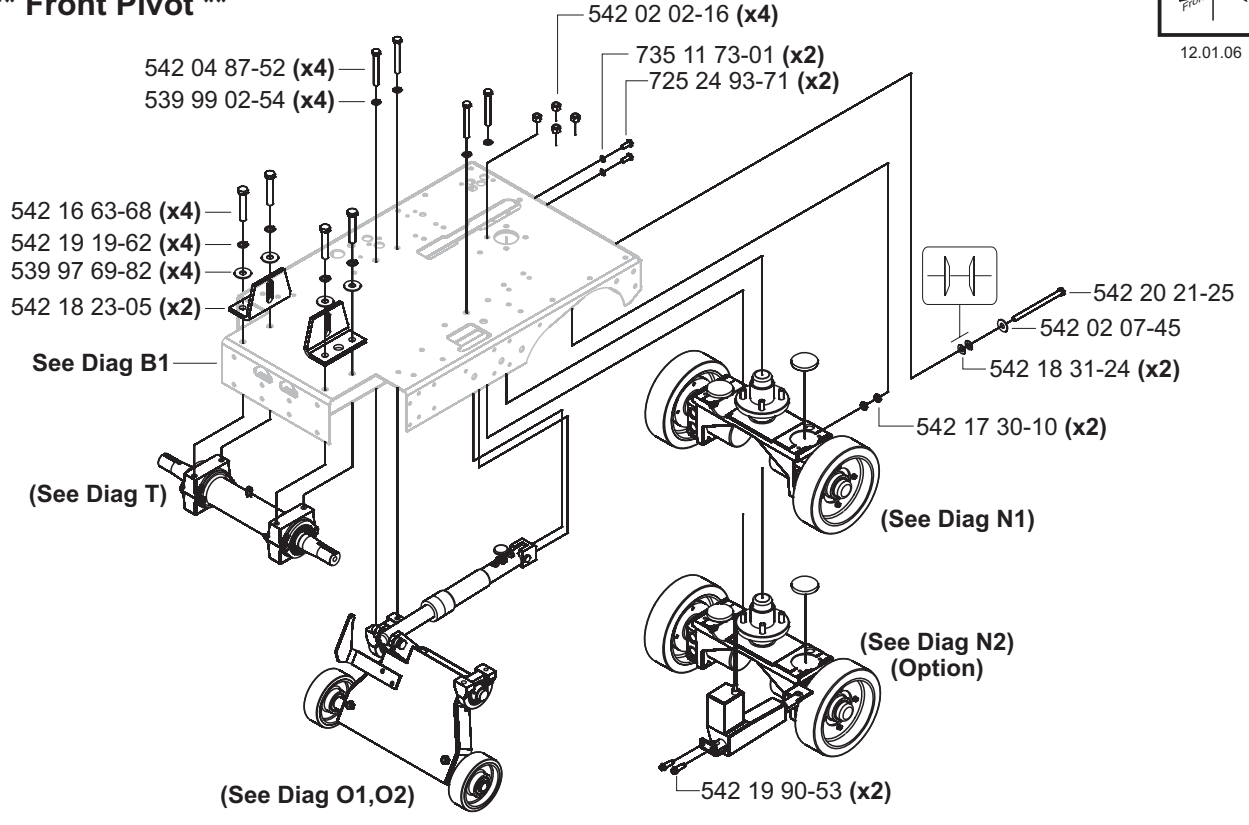


# C1 Lower Frame

**\*\* Front Pivot \*\***

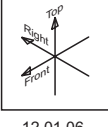


12.01.06

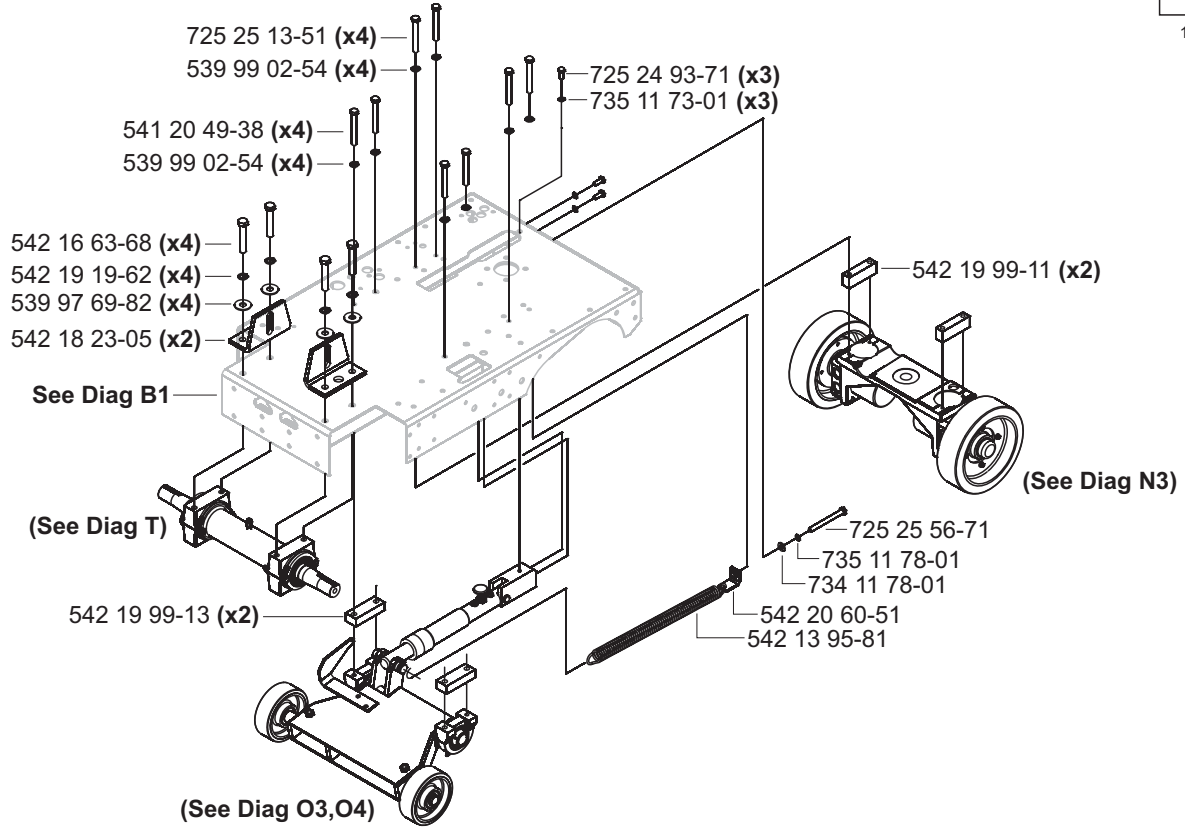


# C2 Lower Frame

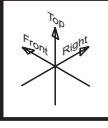
**\*\* Rear Pivot \*\***



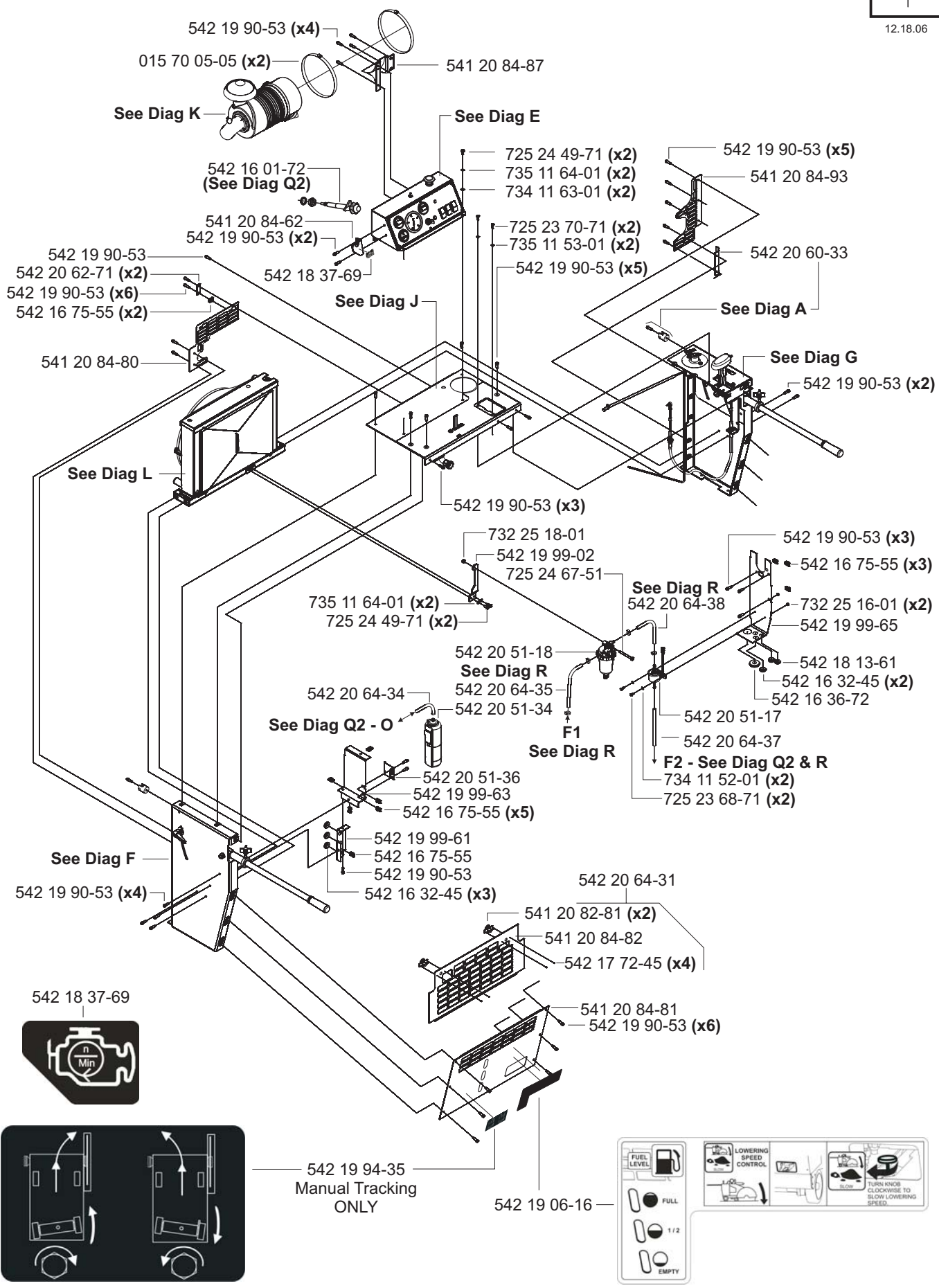
12.01.06



# D Cowling

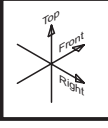


12.18.06



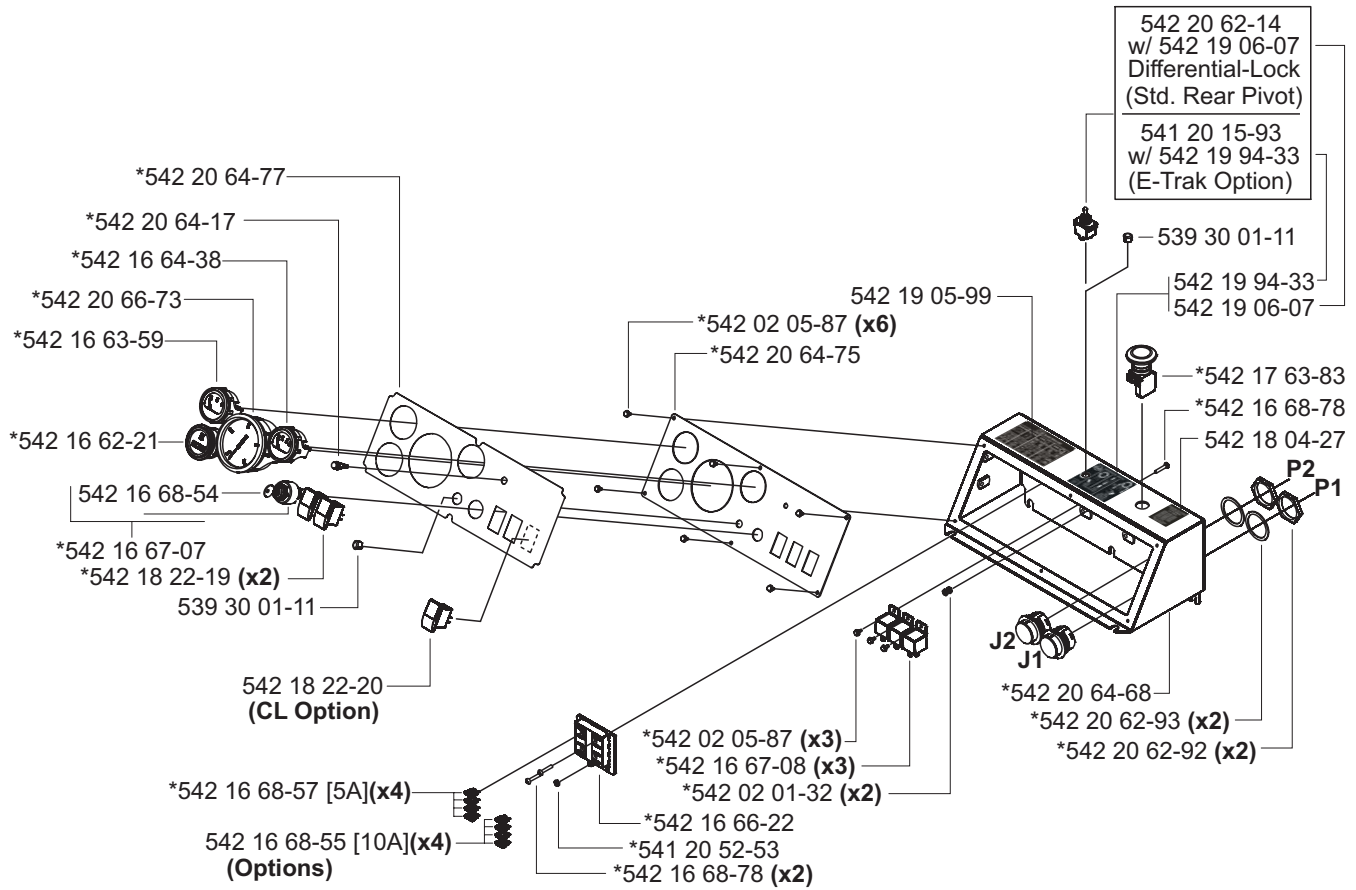
# E1 Instrument Panel - Husqvarna Gray

**\*\* 1-Speed \*\***



\*542 20 64-72 Husqvarna Gray - Compl

12.15.06

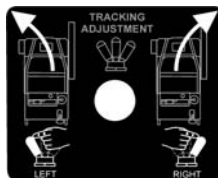


**P1 - Engine Harness 542 18 22-78**  
**P2 - Cowling Harness 542 18 22-63**  
 See 542 20 10-97 Operator's Manual for Wiring Diagrams

542 18 04-27



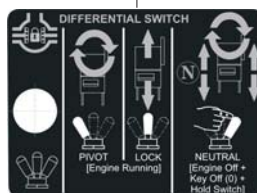
542 19 94-33



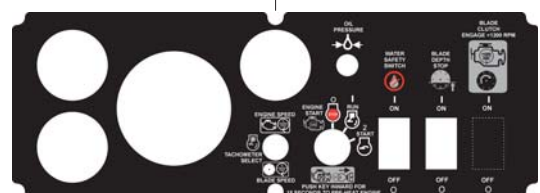
542 19 05-99

BLADE RPM & SIZE					
BLADE SIZE	FLANGE SIZE	BLADE	ENGINE	ENGINE	ENGINE
		RPM	PULLEY DIA.	PULLEY DIA.	RPM
14" / 350 mm	4.50" / 114 mm	3200	4.12" / 105 mm	6.00" / 152 mm	3200
16" / 400 mm	4.50" / 114 mm	2500	4.12" / 105 mm	4.75" / 120 mm	3250
20" / 507 mm	5.00" / 127 mm	1600	4.25" / 108 mm	3.50" / 89 mm	3000
26" / 660 mm	5.00" / 127 mm	1300	5.00" / 127 mm	3.50" / 89 mm	3000
36" / 900 mm	6.00" / 152 mm	1300	5.00" / 127 mm	3.50" / 89 mm	3000

542 19 06-07

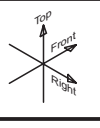


542 20 64-77



# E2 Instrument Panel - Husqvarna Gray

**\*\* 3-Speed \*\***

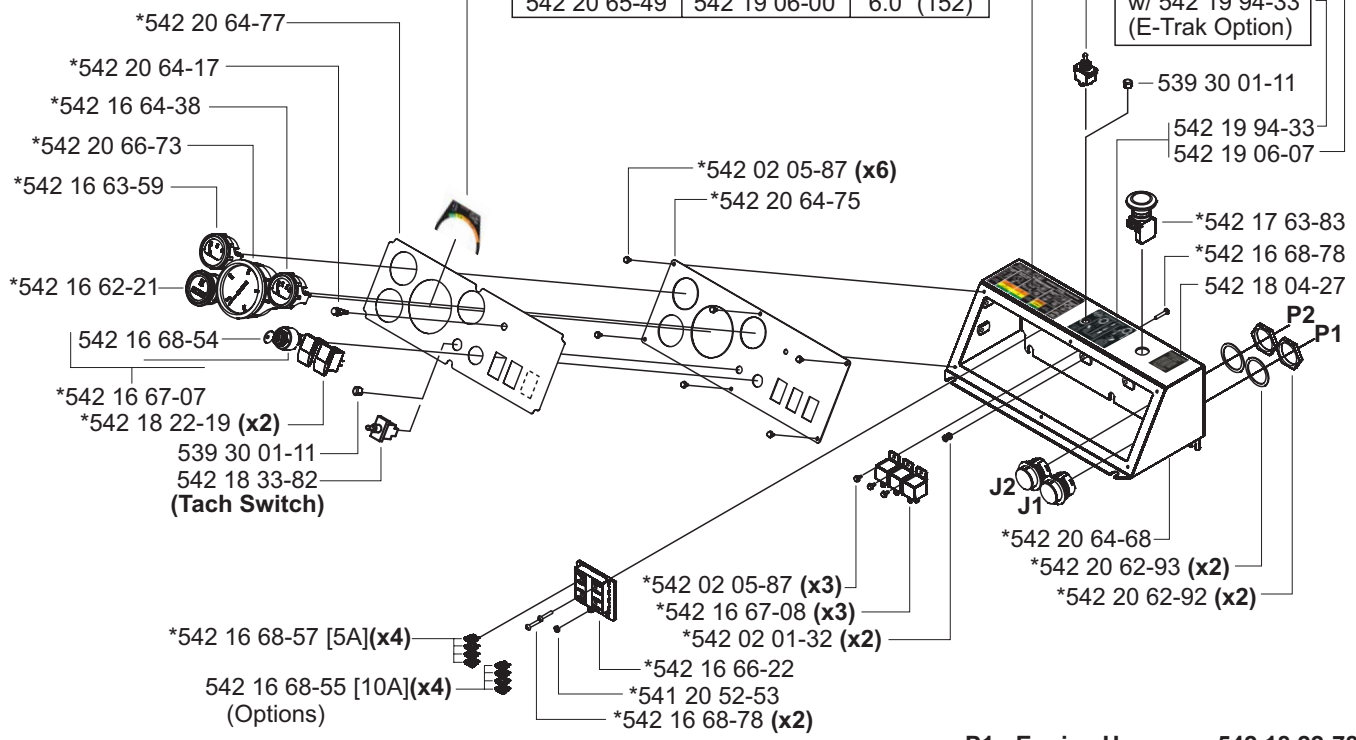


12.15.06

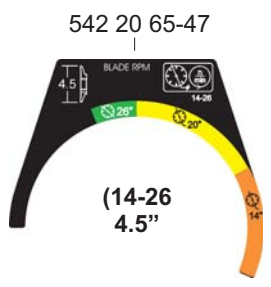
\*542 20 64-72 Husqvarna Gray - Compl

Tachometer Blade RPM Decal No	G-Box Range Engine RPM Decal No	Flange Dia Inch (mm)
542 20 65-47	542 19 05-96	4.5" (114)
542 20 65-48	542 19 05-98	5.0" (127)
542 20 65-49	542 19 06-00	6.0" (152)

542 20 62-14 w/ 542 19 06-07 Differential-Lock (Std. Rear Pivot)  
541 20 15-93 w/ 542 19 94-33 (E-Trak Option)

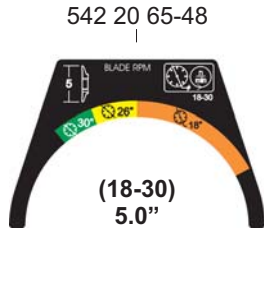


**P1 - Engine Harness 542 18 22-78**  
**P2 - Cowling Harness 542 18 22-63**  
See 542 20 10-97 Operator's Manual for Wiring Diagrams



542 19 05-96

GEARBOX RANGE / BLADE RPM (14-26)					
FLANGE SIZE	BLADE SIZE (Maximum)	GEARBOX RANGE	BLADE RPM	PULLEY	ENGINE RPM
4.50" 114 mm	14" 350 mm	3	3100	4.12" 105 mm	3250 (Maximum)
	20" 500 mm	2	2180	4.12" 105 mm	3000 (Loaded)
	26" 650 mm	1	1570		



542 19 05-98

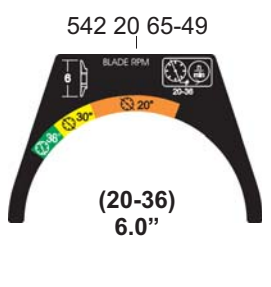
GEARBOX RANGE / BLADE RPM (18-30)					
FLANGE SIZE	BLADE SIZE (Maximum)	GEARBOX RANGE	BLADE RPM	PULLEY	ENGINE RPM
5.00" 127 mm	18" 450 mm	3	2600	4.50" 114 mm	3250 (Maximum)
	26" 650 mm	2	1800	4.50" 114 mm	3000 (Loaded)
	30" 750 mm	1	1570		

542 18 04-27

Covered By One Or More Of The Following U.S. Patents:

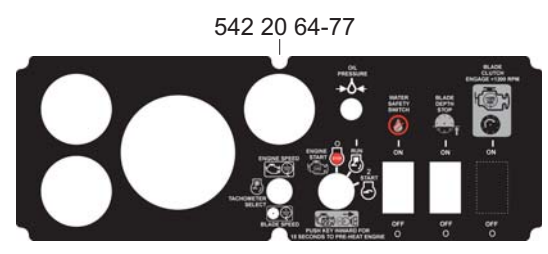
4333695, 4333696, 4744604, 4827559, 4921308, 4968099, 4969504, 5241940, 5381780, 5477844, 5668254, 5669391, 5743247, 5859985, 5810448, 6333027, 6348104, 6366816, 6371373, 6379094

Other U.S. And Foreign Patents Pending



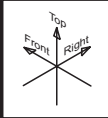
542 19 06-00

GEARBOX RANGE / BLADE RPM (20-36)					
FLANGE SIZE	BLADE SIZE (Maximum)	GEARBOX RANGE	BLADE RPM	PULLEY	ENGINE RPM
6.00" 152 mm	20" 500 mm	3	2260	4.12" 105 mm	3250 (Maximum)
	30" 750 mm	2	1580	5.20" 132 mm	3000 (Loaded)
	38" 950 mm	1	1380		

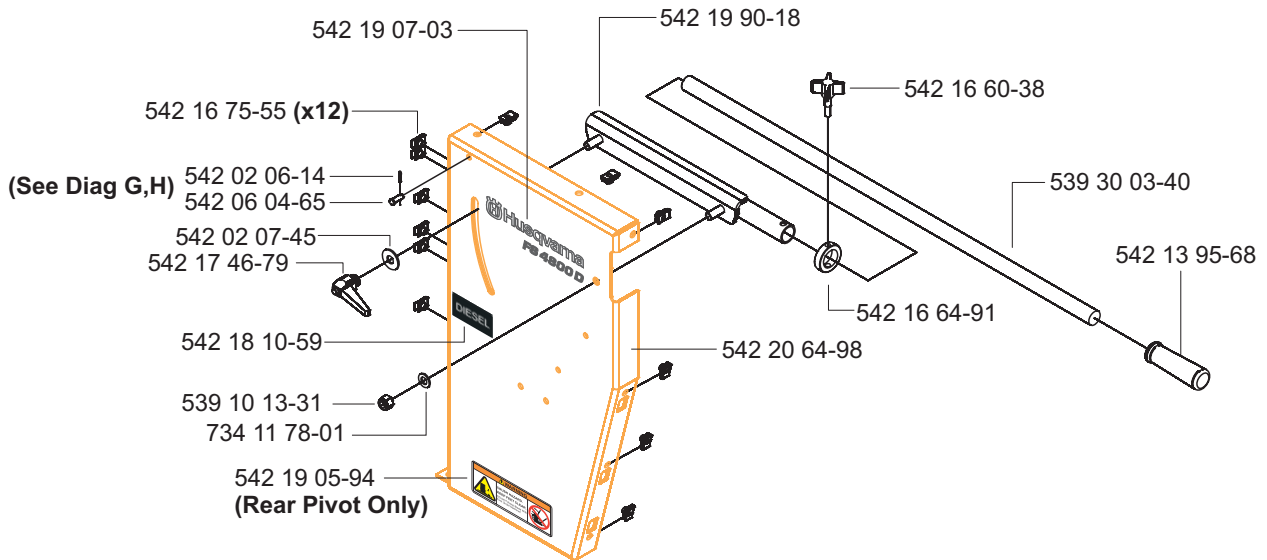


# F Cowling Side, L.H - Husq. Orange

See Diag D



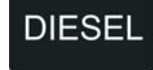
12.11.06



542 19 05-94



542 18 10-59

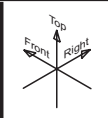


542 19 07-03

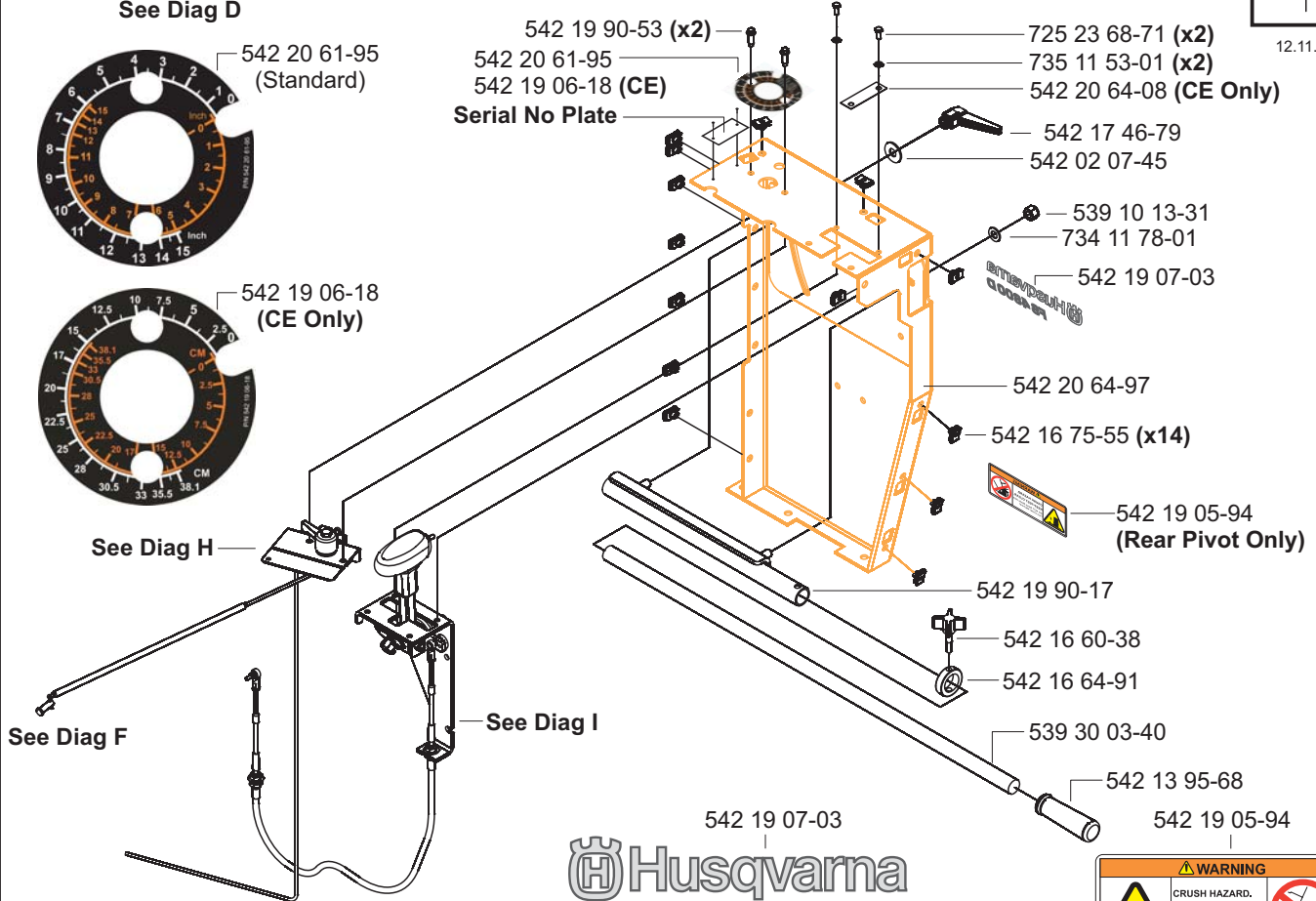


# G Cowling Side, R.H - Husq. Orange

See Diag D



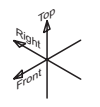
12.11.06



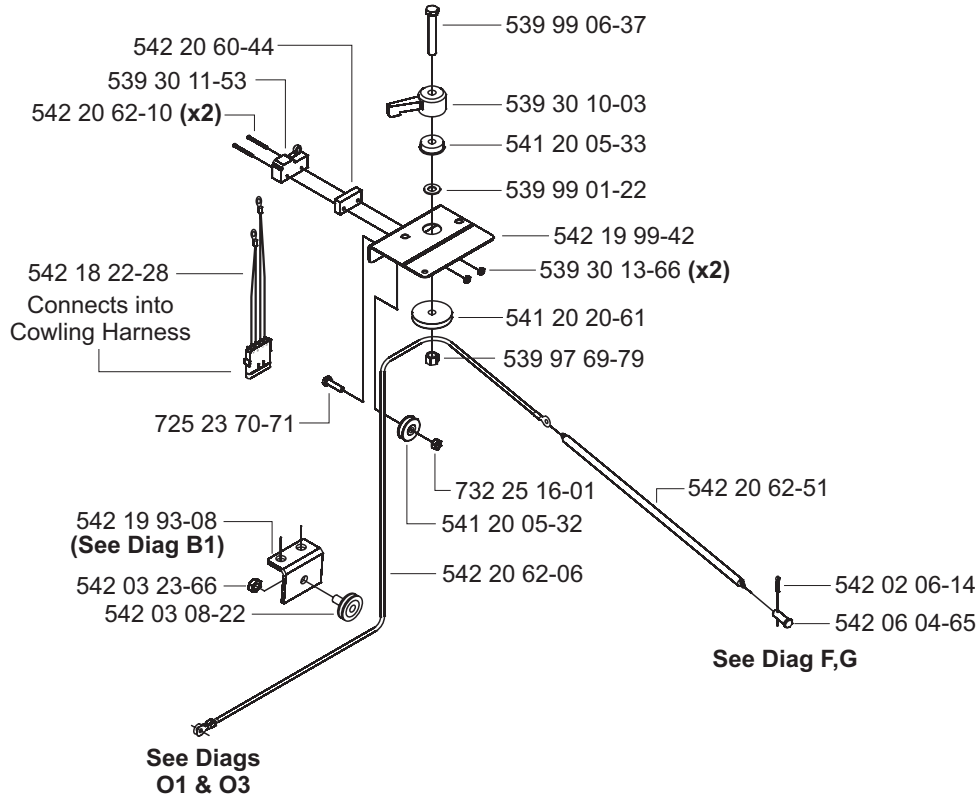


# H Depth Indicator

See Diag G

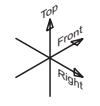


12.04.06

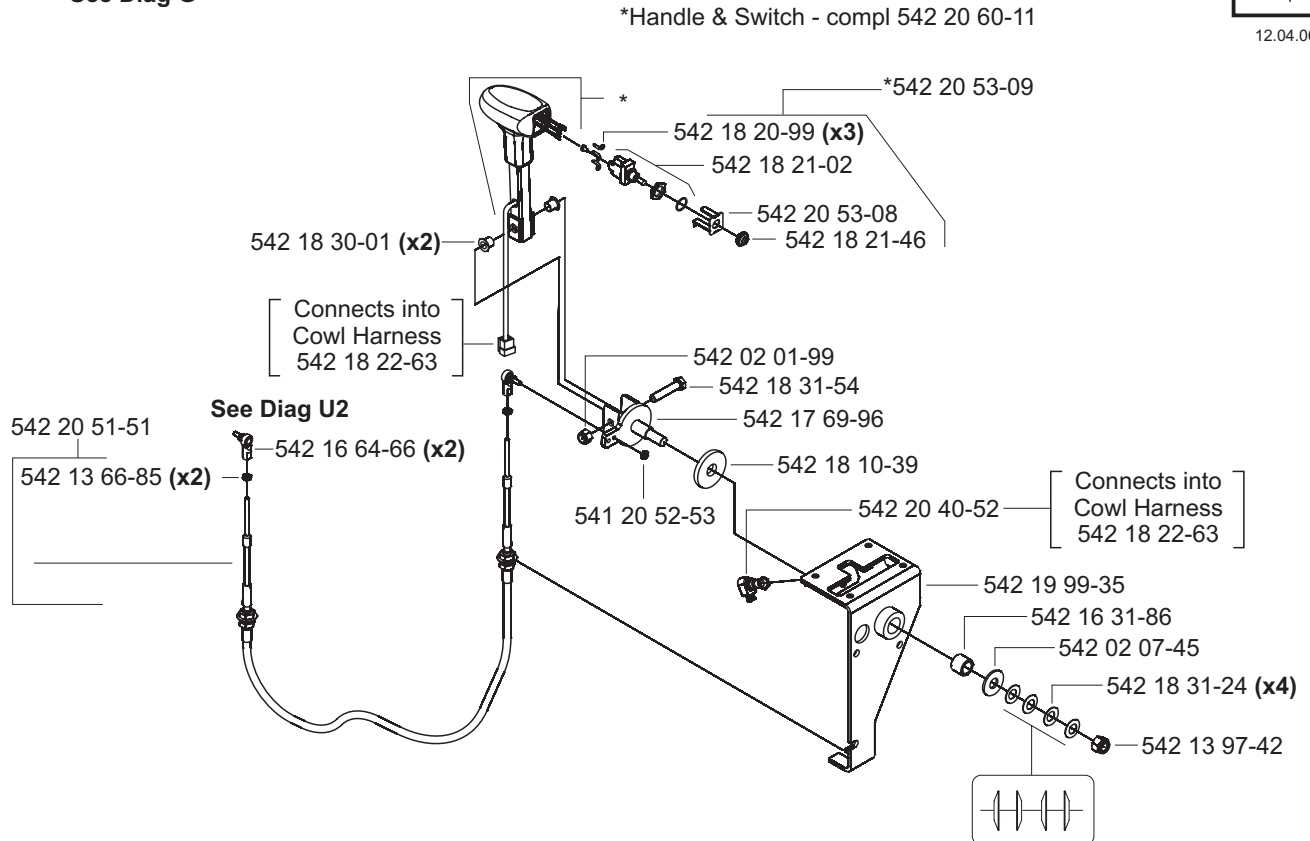


# I Speed Control

See Diag G



12.04.06

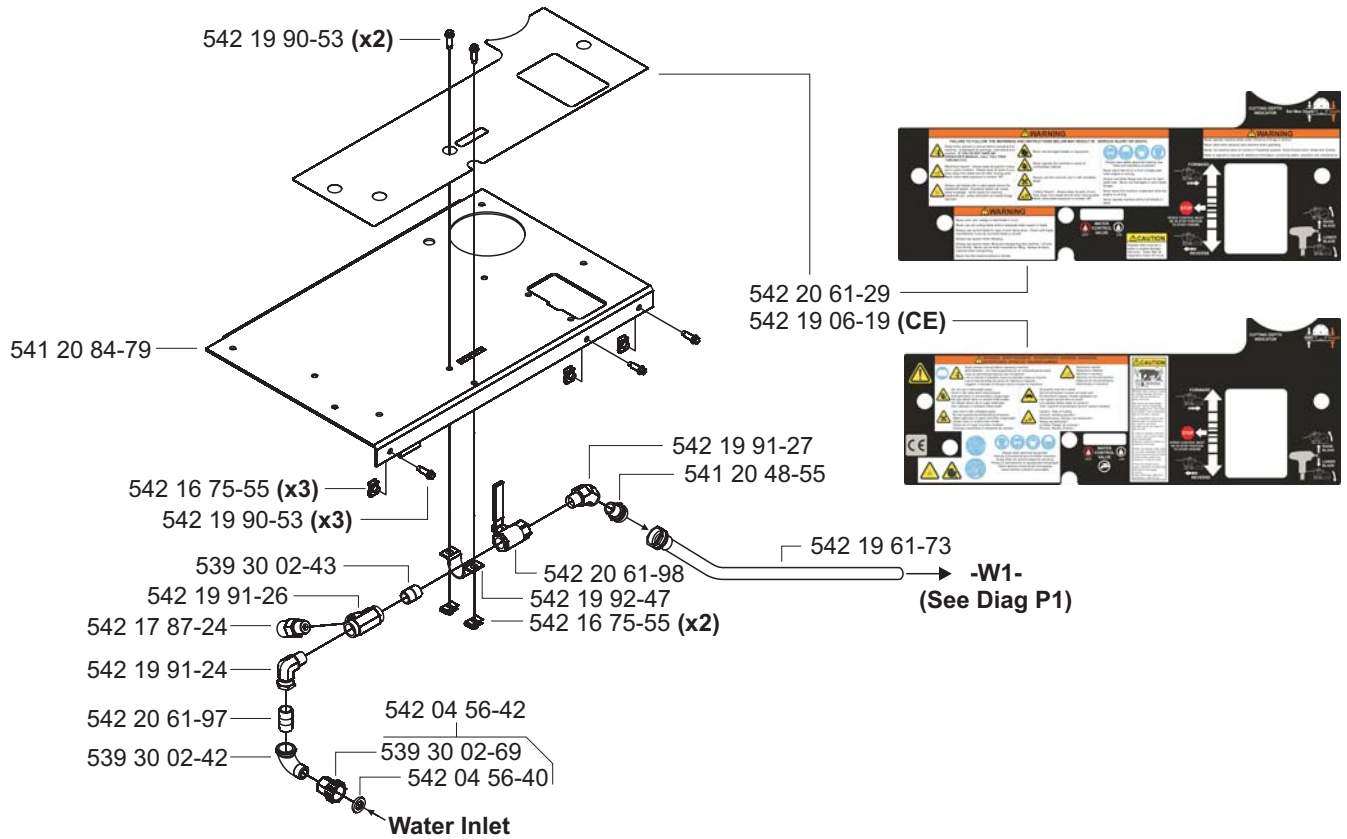


# J Top Cover - Husqvarna Gray

See Diag D



12.04.06



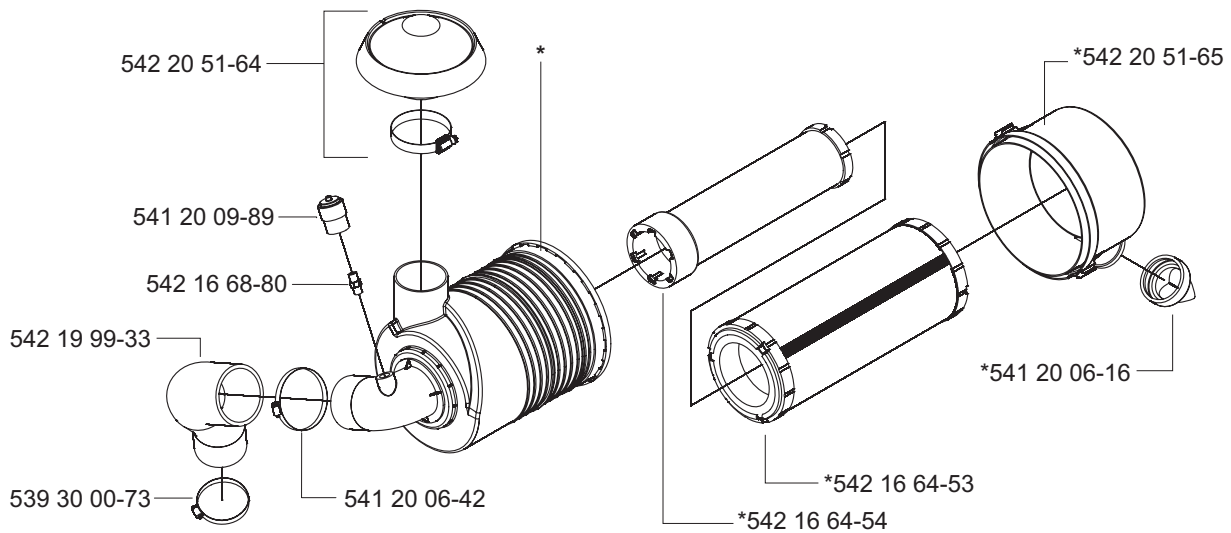
# K Air Filter Assy

See Diag D



12.04.06

\*Compl Air Filter 542 20 51-66

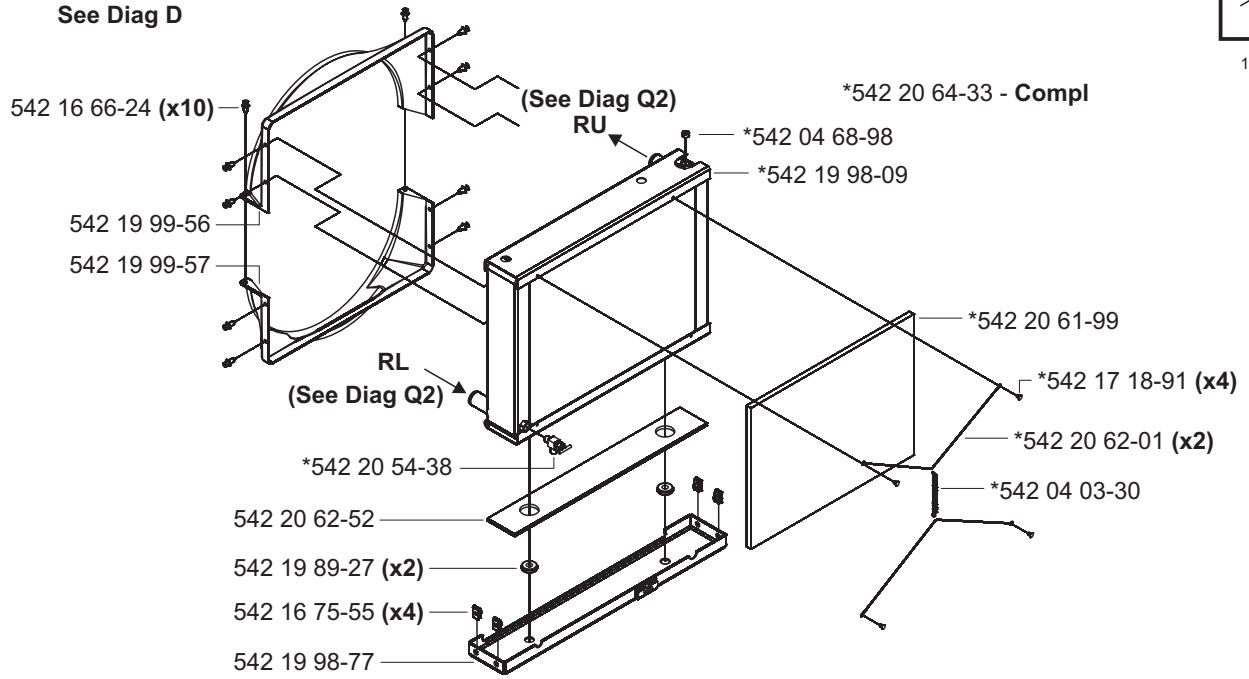


# L Radiator

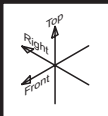
See Diag D



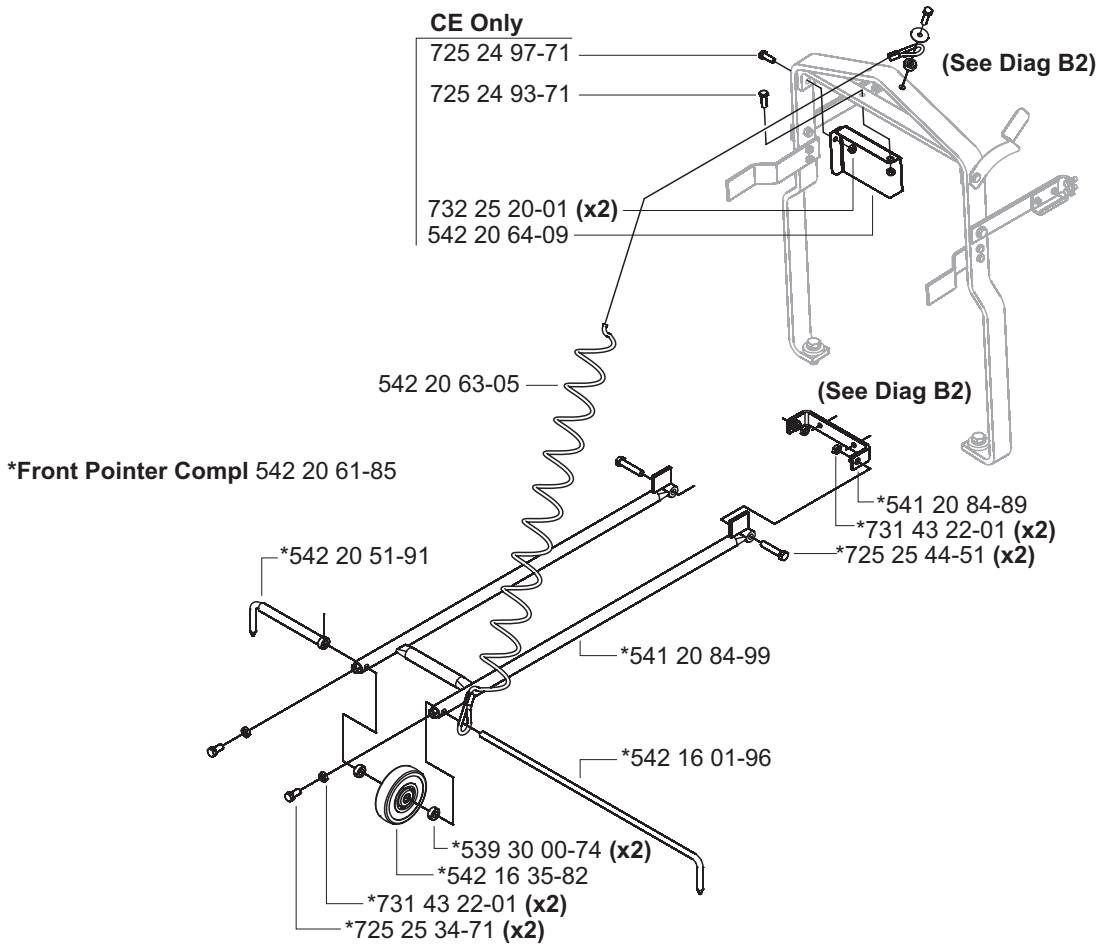
12.01.06



# M Pointer - Lift Bail - CE



12.01.06

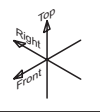


# N1

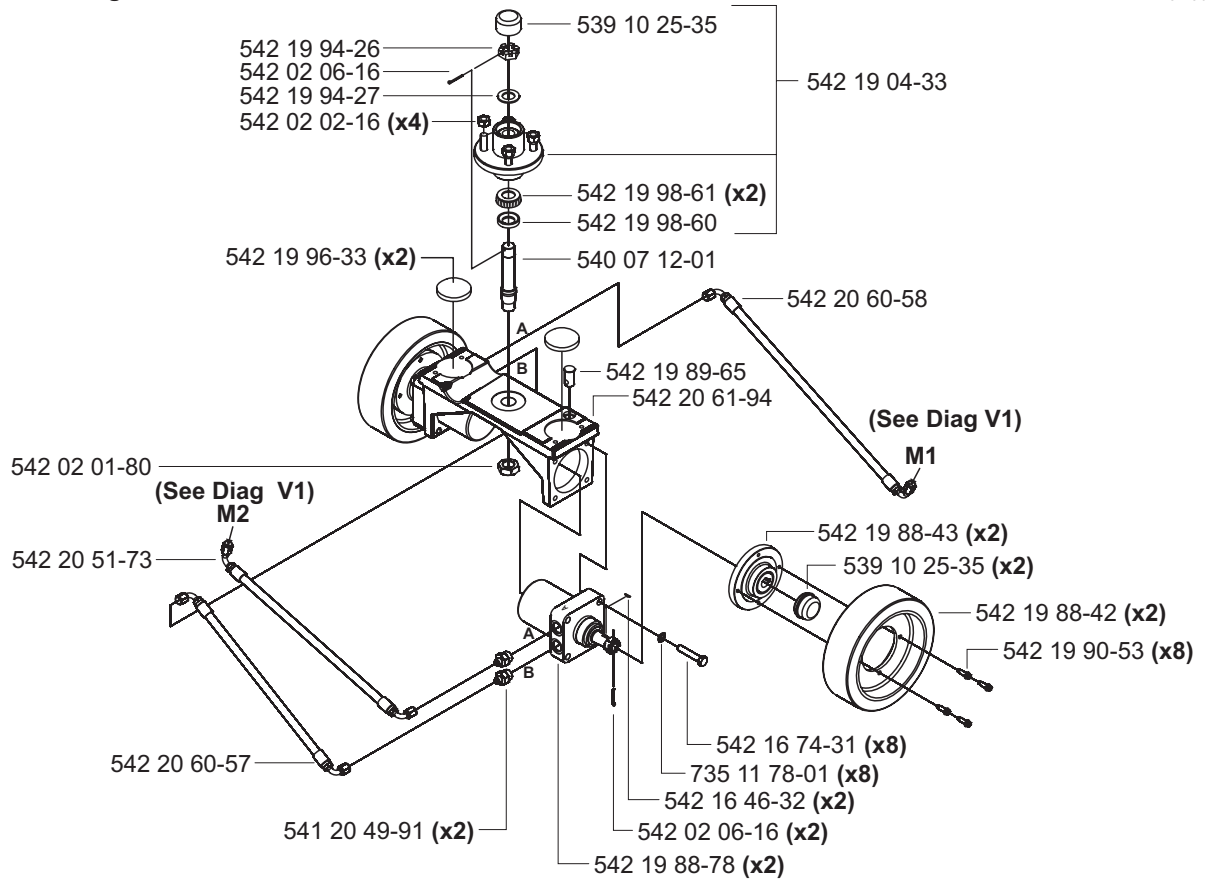
## Rear Axle - Manual

\*\* Front Pivot \*\*

See Diag C1



12.04.06

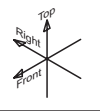


# N2

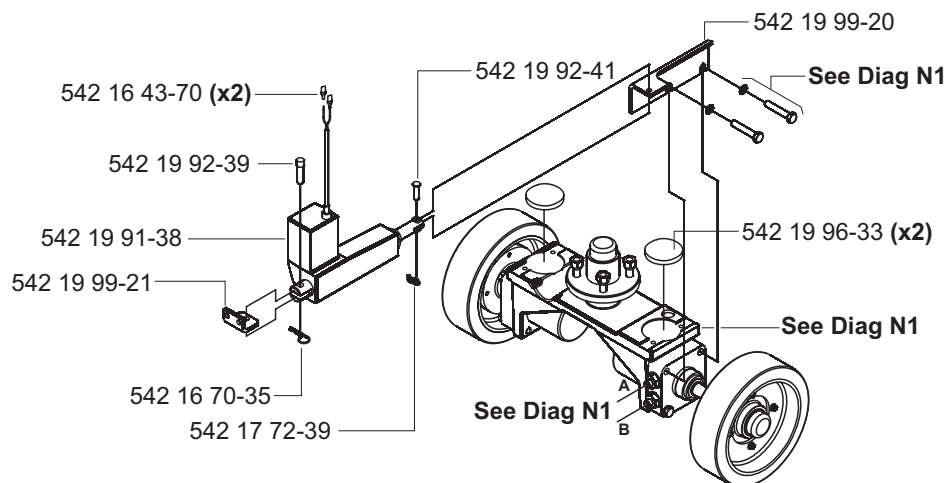
## Rear Axle - E-Track

\*\* Front Pivot \*\*

See Diag C1



12.04.06

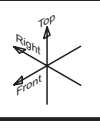


# N3 Rear Axle - Fixed

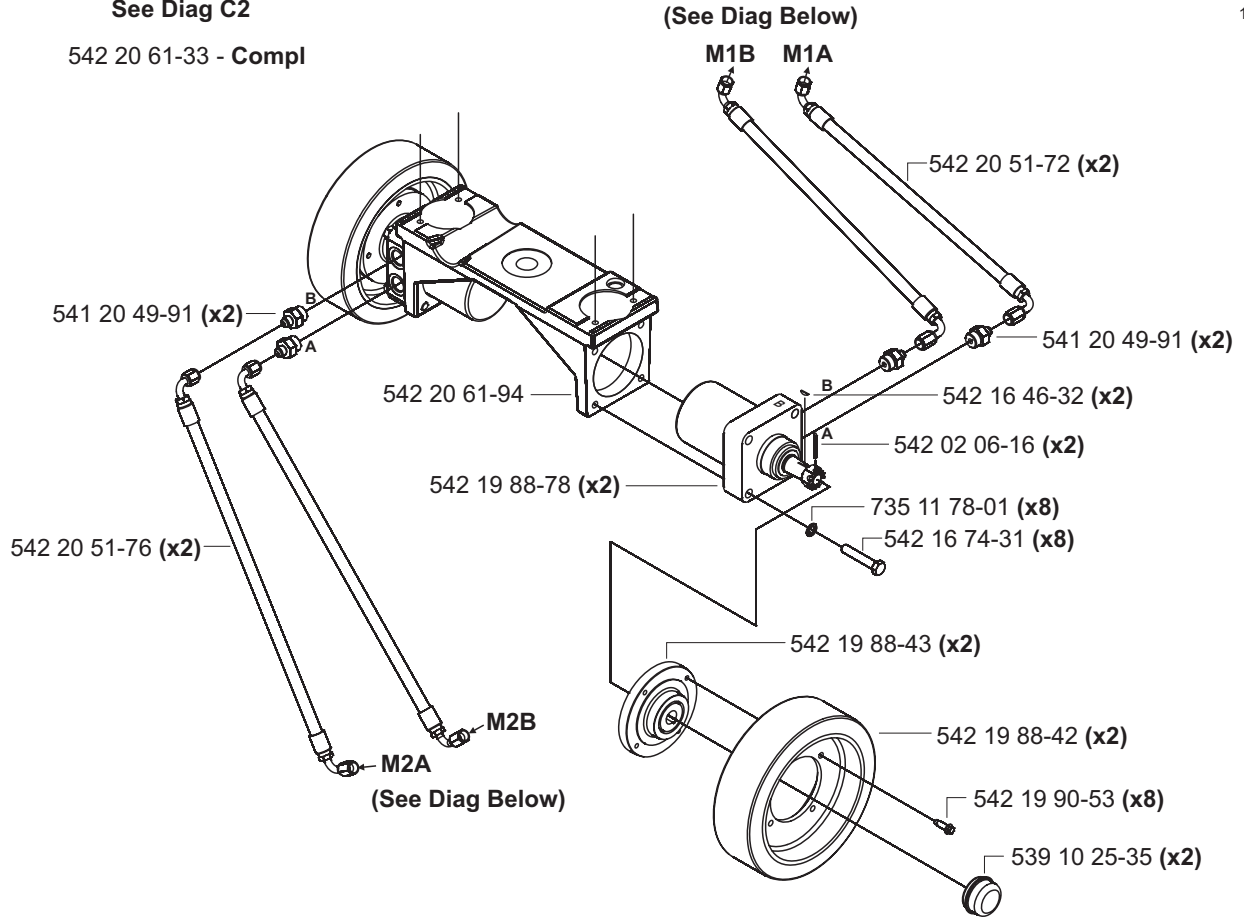
**\*\* Rear Pivot \*\***

See Diag C2

542 20 61-33 - Compl



12.04.06



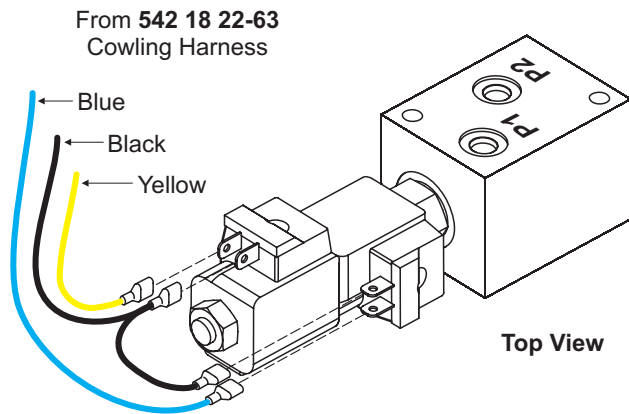
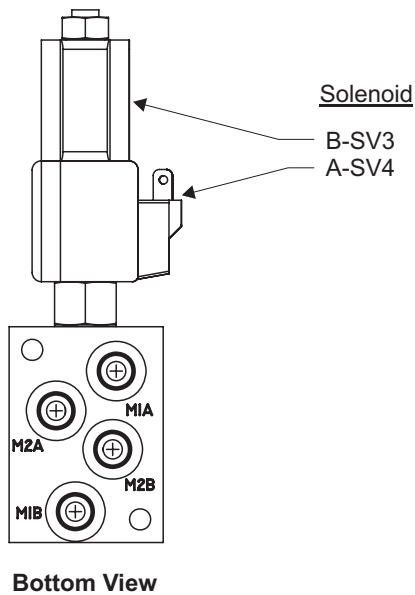
## Connection Diagrams - Differential Lock Valve

**\*\* Rear Pivot \*\***

See Diags B2 & V2

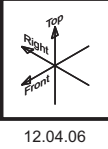
12.04.06

542 20 60-20 Valve - Compl

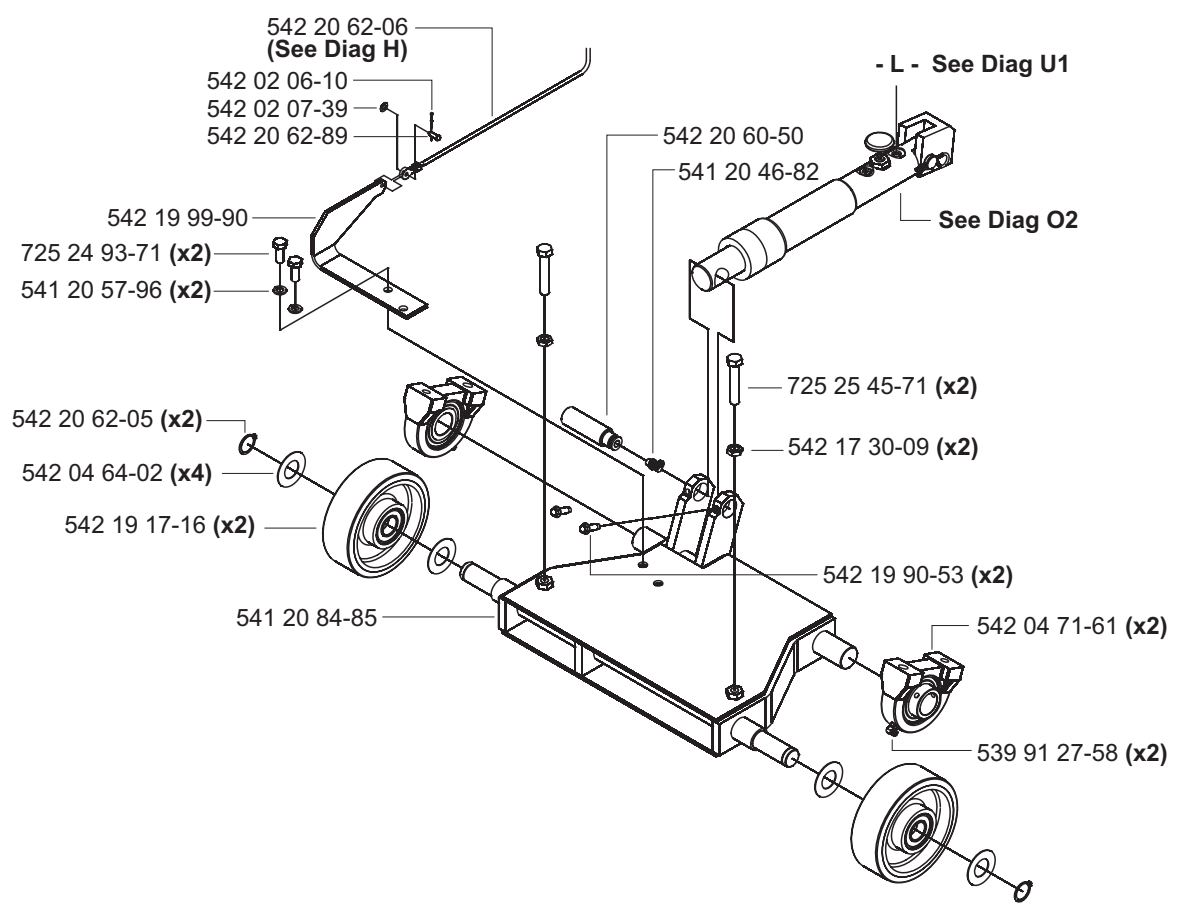


# O1 Front Axle

**\*\* Front Pivot \*\***  
(See Diag C1)



12.04.06



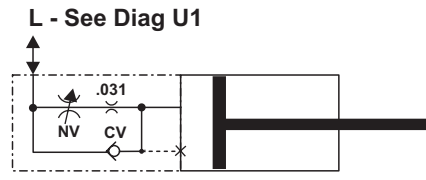
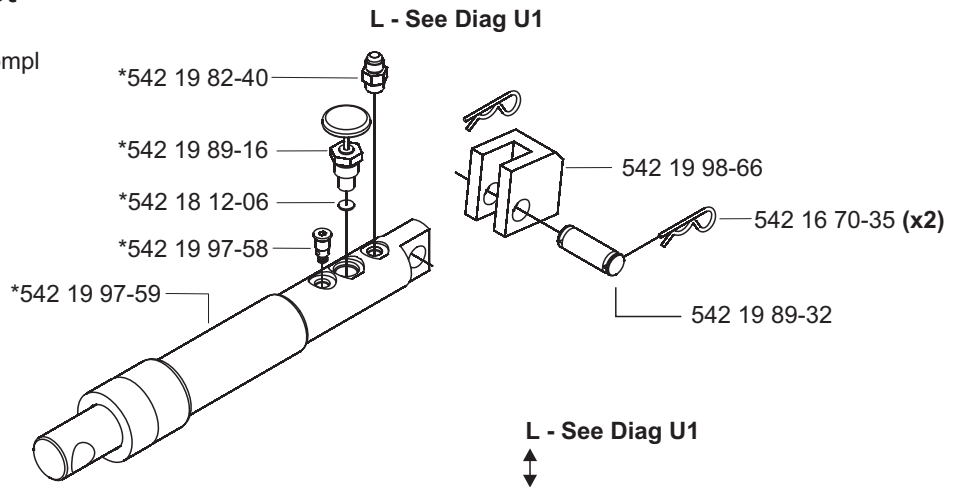
# O2 Hydraulic Lift Cylinder

**\*\* Front Pivot \*\***



12.04.06

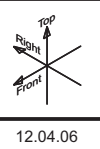
\* 542 19 97-61 compl



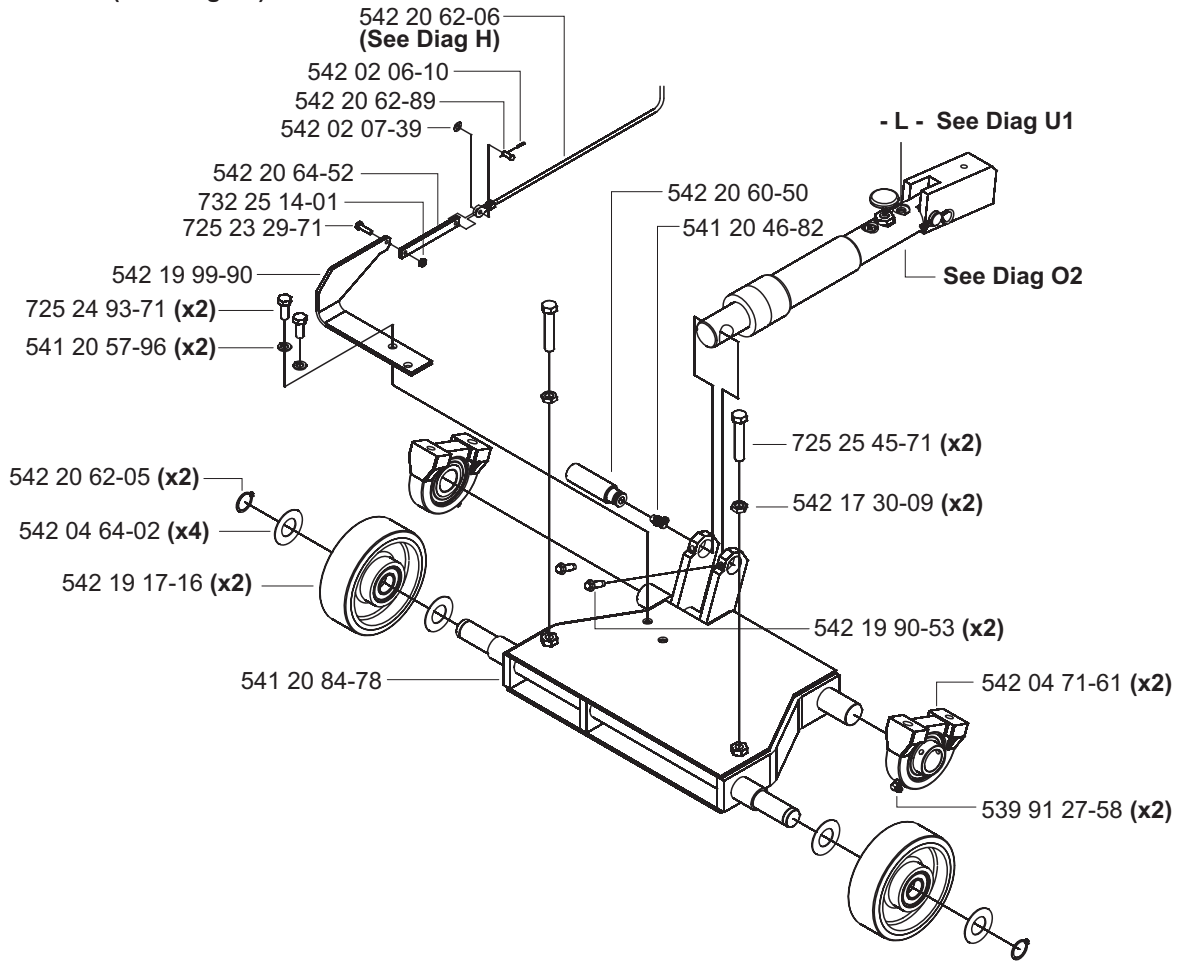
**HYDRAULIC SCHEMATIC**  
(See Operators Manual)

# O3 Front Axle

**\*\* Rear Pivot \*\***  
(See Diag C2)



12.04.06



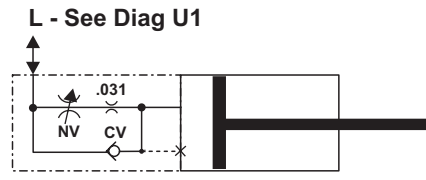
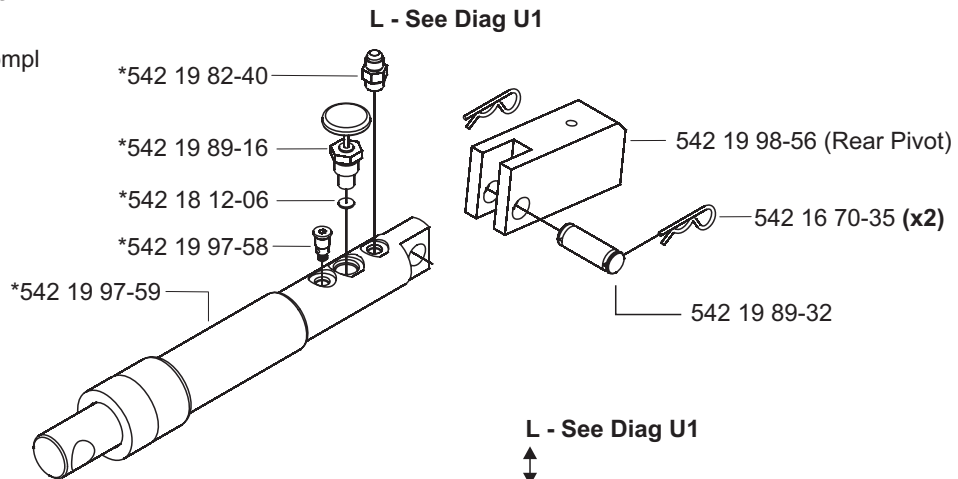
# O4 Hydraulic Lift Cylinder

**\*\* Rear Pivot \*\***



12.04.06

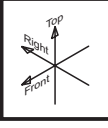
\* 542 19 97-61 compl



**HYDRAULIC SCHEMATIC**  
(See Operators Manual)

# P1 Engine - Gearbox Standard

\*\* 1 & 3-Speed \*\*



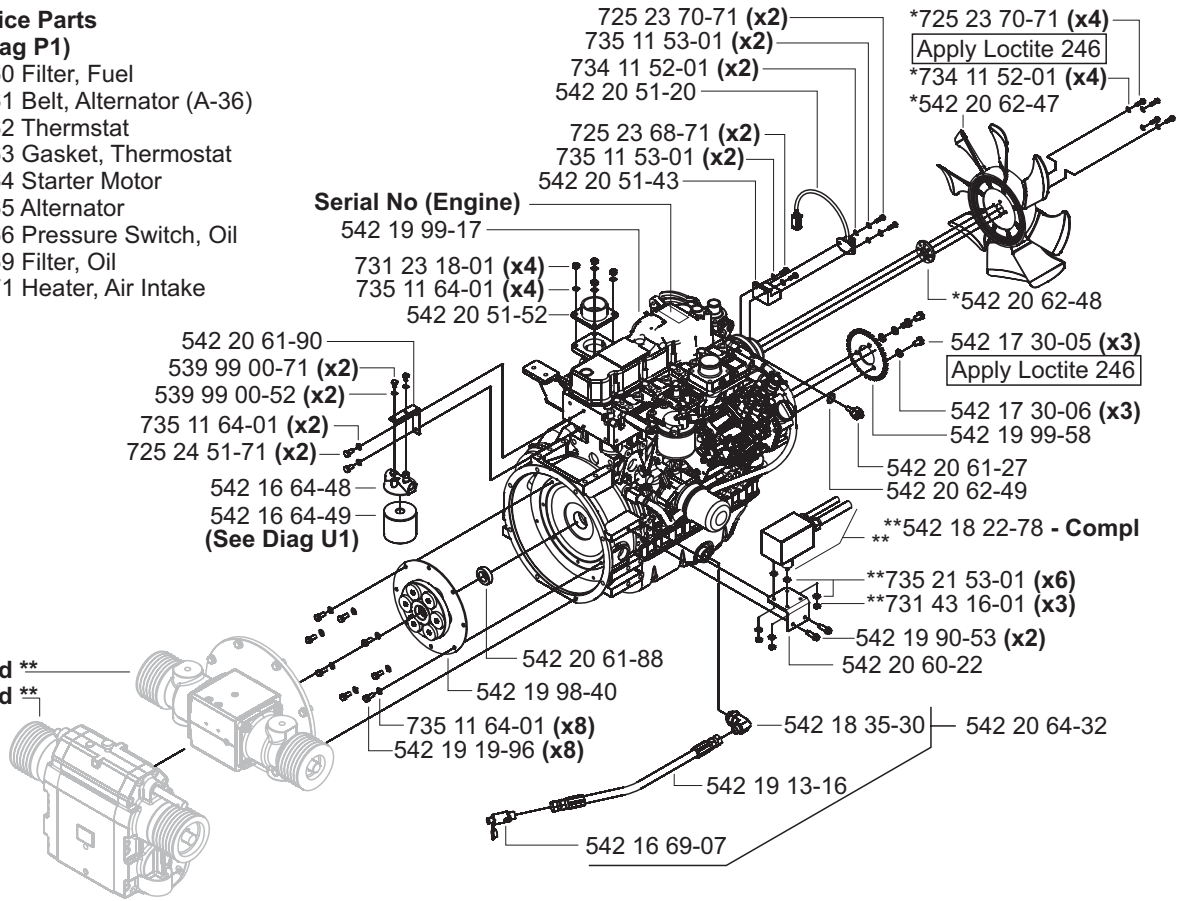
12.18.06

## Engine Service Parts

- \* (See in Diag P1)
- 542 20 63-60 Filter, Fuel
- 542 20 63-61 Belt, Alternator (A-36)
- 542 20 63-62 Thermostat
- 542 20 63-63 Gasket, Thermostat
- 542 20 63-64 Starter Motor
- 542 20 63-65 Alternator
- 542 20 63-66 Pressure Switch, Oil
- 542 20 63-69 Filter, Oil
- 542 20 63-71 Heater, Air Intake

## Serial No (Engine)

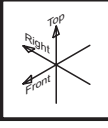
- 542 19 99-17
- 731 23 18-01 (x4)
- 735 11 64-01 (x4)
- 542 20 51-52



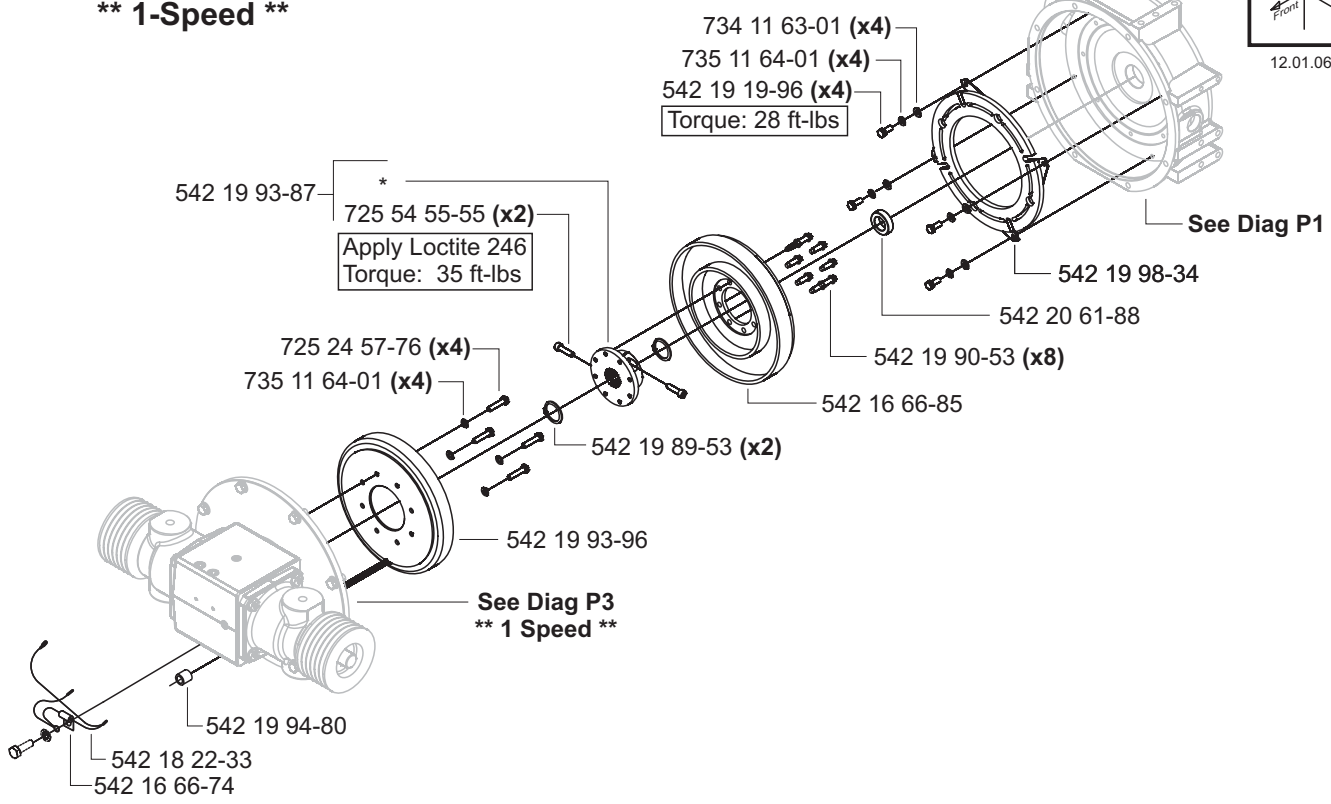
See Diag:  
**P3 \*\* 1-Speed \*\***  
**P4 \*\* 3-Speed \*\***

# P2 Engine - Gearbox with Clutch

\*\* 1-Speed \*\*



12.01.06

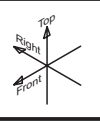


See Diag P3  
**\*\* 1 Speed \*\***

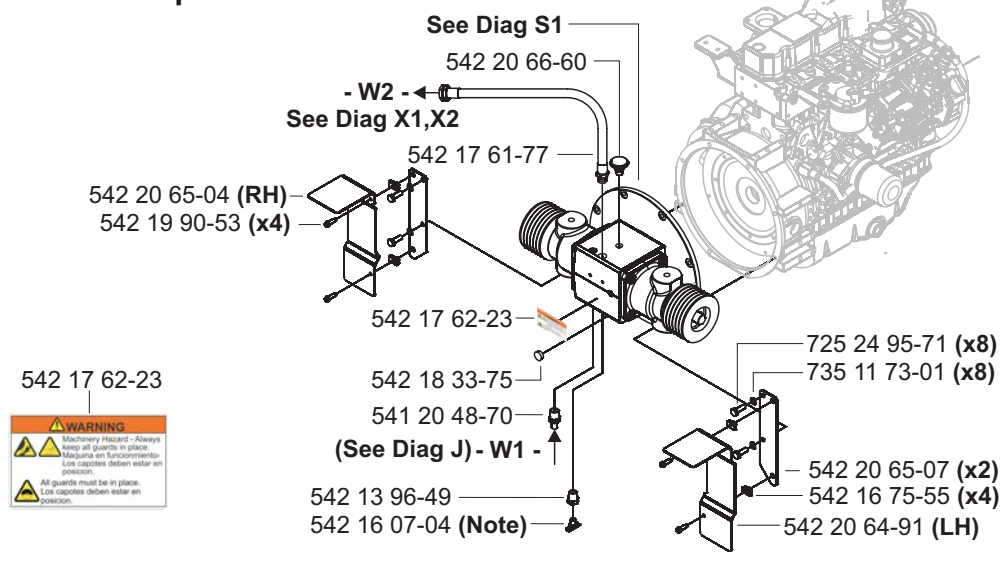


# P3 Gearbox & Belt Guard

**\*\* 1 - Speed \*\***



12.01.06



542 17 62-23

**WARNING**

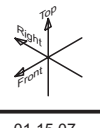
Machinery Hazard - Always keep all guards in place.   
 Manos y pies deben estar en posición.   
 Los capotes deben estar en posición.

All guards must be in place.   
 Los capotes deben estar en posición.

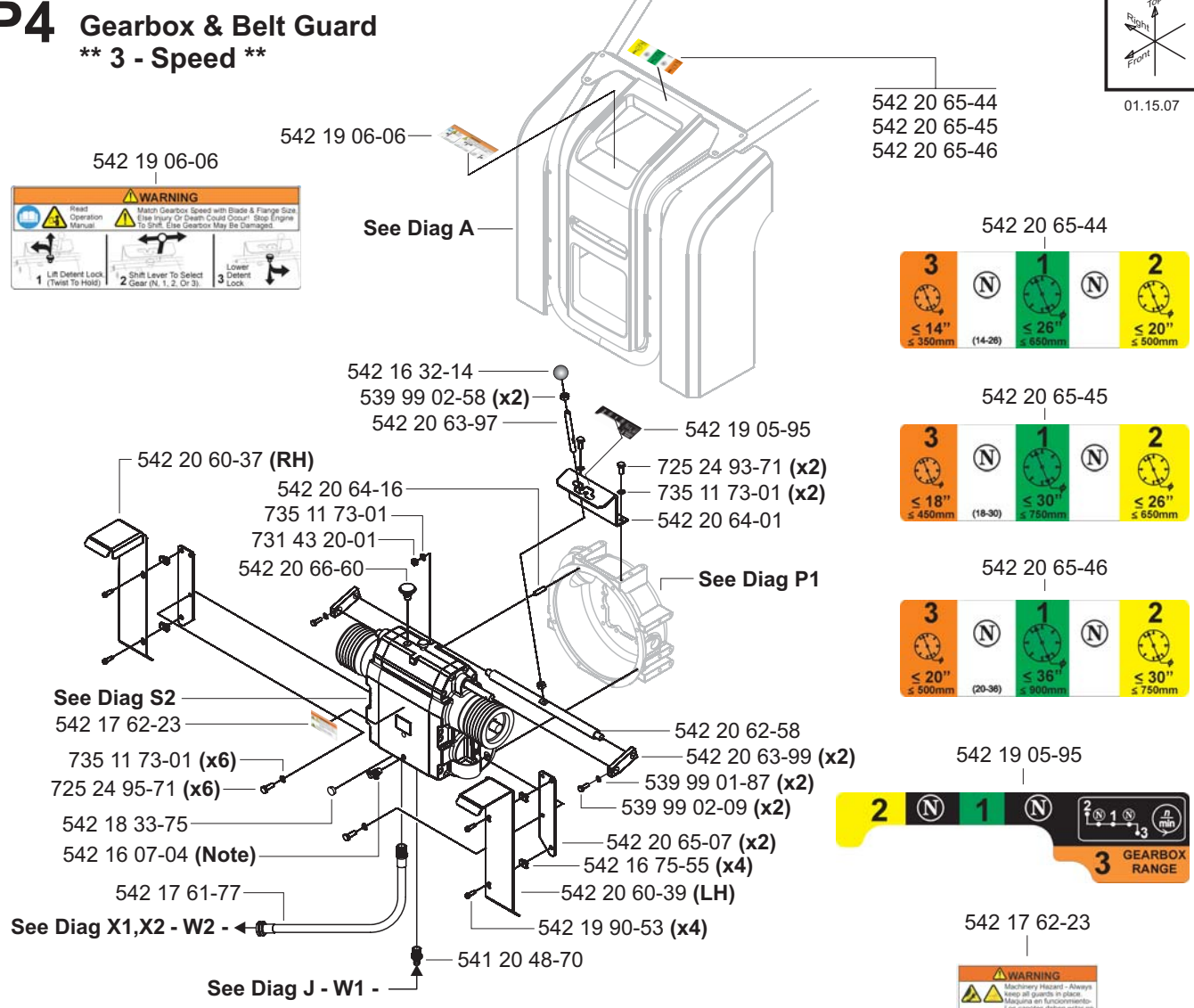
**NOTE:** Drain water when Temperature below 32°F (0°C).

# P4 Gearbox & Belt Guard

**\*\* 3 - Speed \*\***



01.15.07



542 19 06-06

**WARNING**

Read Operation Manual.   
 Match Gearbox Speed with Blade & Flange Size.   
 Use Heavy Or Small Chisel Count.   
 Stop Engine To Shift.   
 Else Gearbox May Be Damaged.

1 Lift Detent Lock (Twist To Hold)   
 2 Shift Lever To Select Gear (N, 1, 2, Or 3)   
 3 Lower Detent Lock.

542 20 65-44

3	N	1	N	2
≤ 14" ≤ 350mm	(14-26)	≤ 26" ≤ 650mm		≤ 20" ≤ 500mm

542 20 65-45

3	N	1	N	2
≤ 18" ≤ 450mm	(18-30)	≤ 30" ≤ 750mm		≤ 26" ≤ 650mm

542 20 65-46

3	N	1	N	2
≤ 20" ≤ 500mm	(20-36)	≤ 36" ≤ 900mm		≤ 30" ≤ 750mm

542 19 05-95

2	N	1	N	2	3
GEARBOX RANGE					

542 17 62-23

**WARNING**

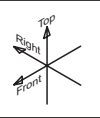
Machinery Hazard - Always keep all guards in place.   
 Manos y pies deben estar en posición.   
 Los capotes deben estar en posición.

All guards must be in place.   
 Los capotes deben estar en posición.

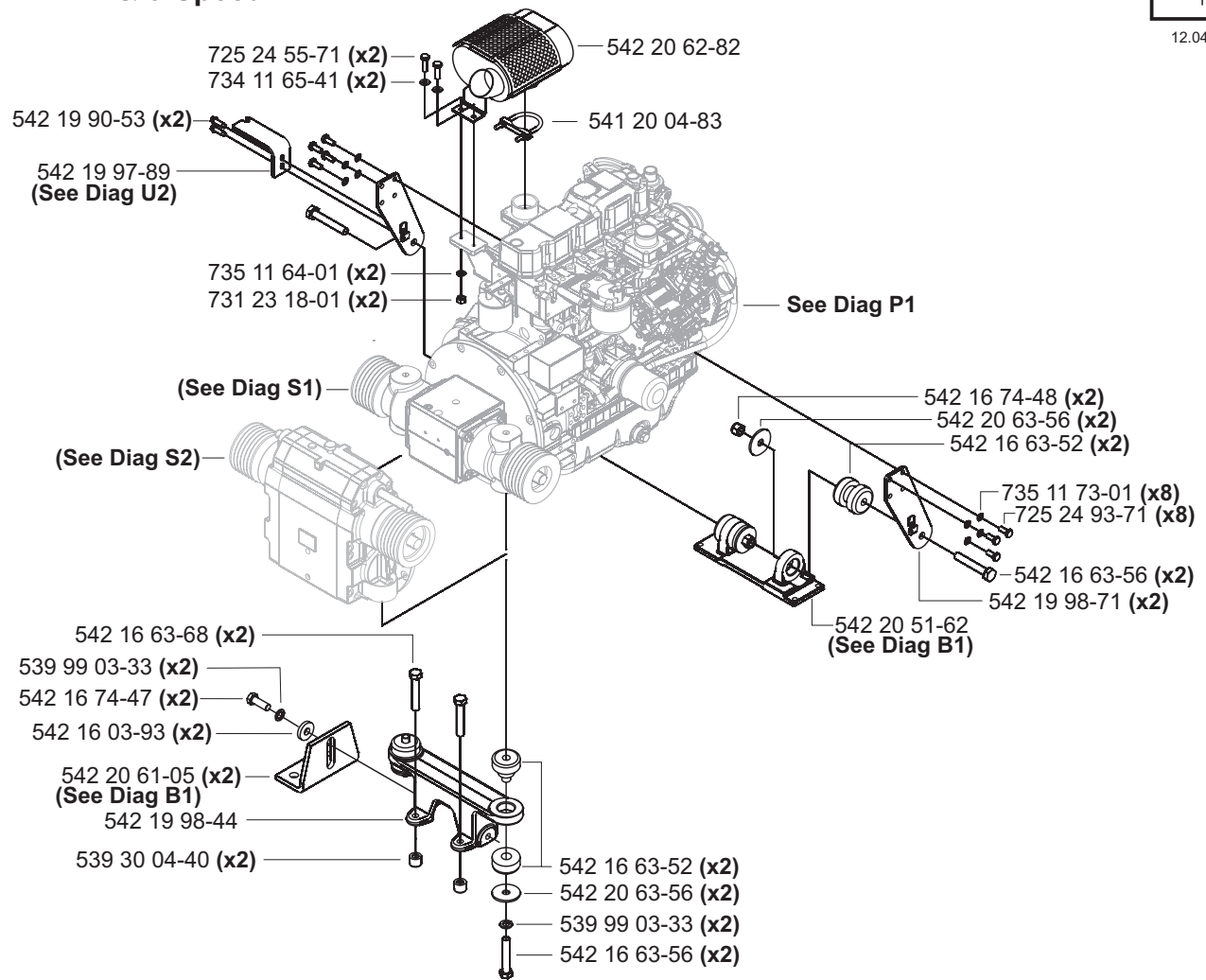
**NOTE:** Drain water when Temperature below 32°F (0°C).

# Q1 Engine-Gearbox Mounting & Muffler

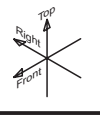
**\*\* 1 & 3-Speed \*\***



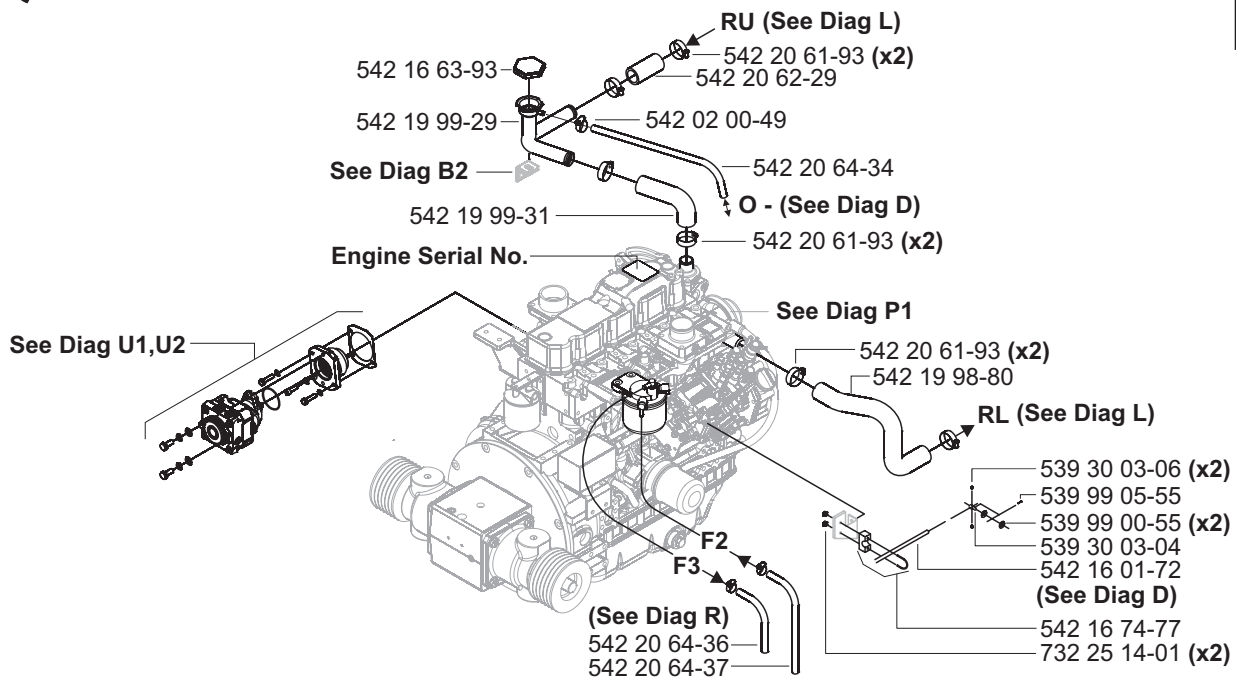
12.04.06



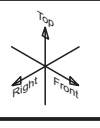
# Q2 Engine Hose & Pump



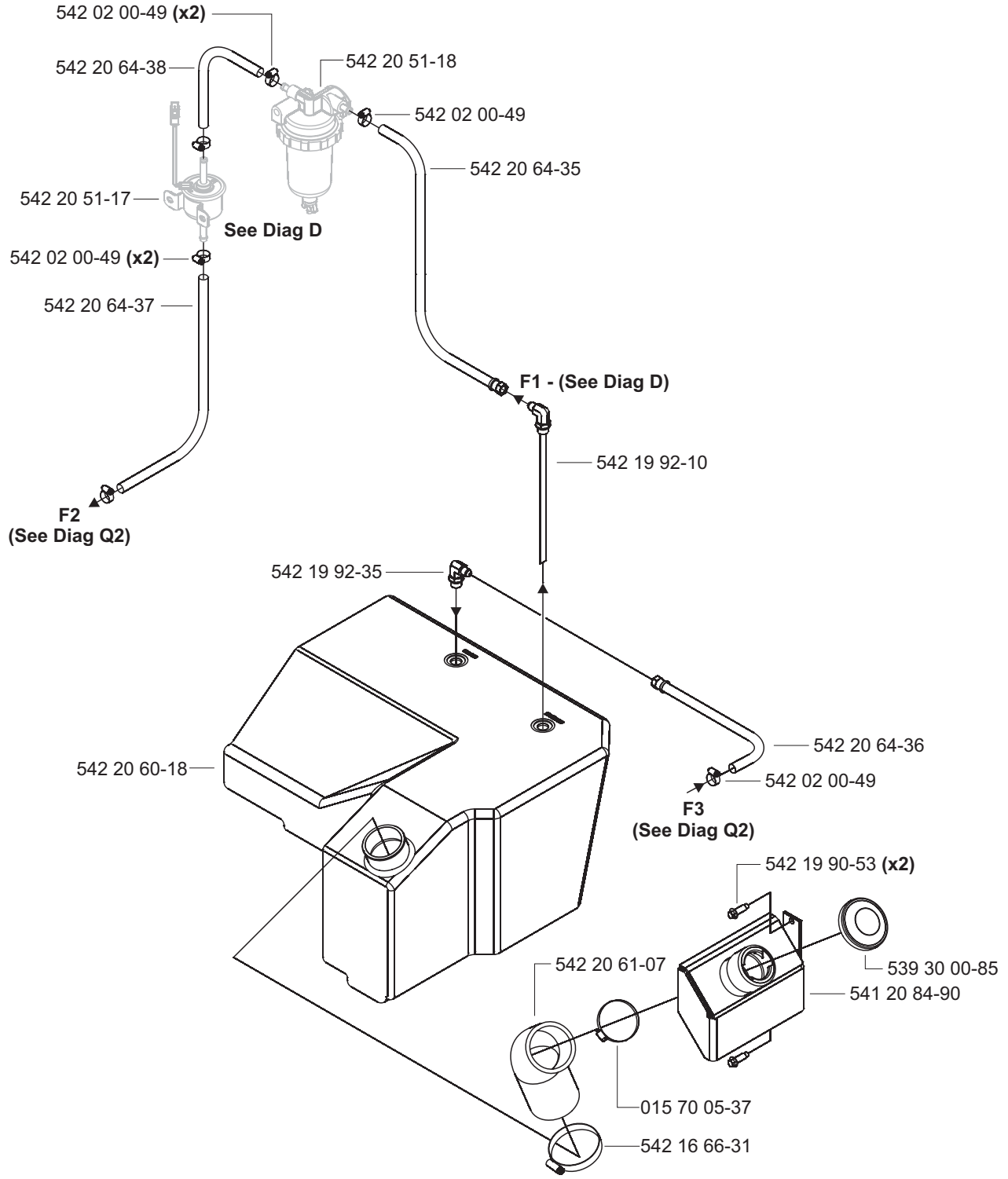
12.04.06



# R Fuel Tank

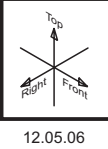


12.05.06



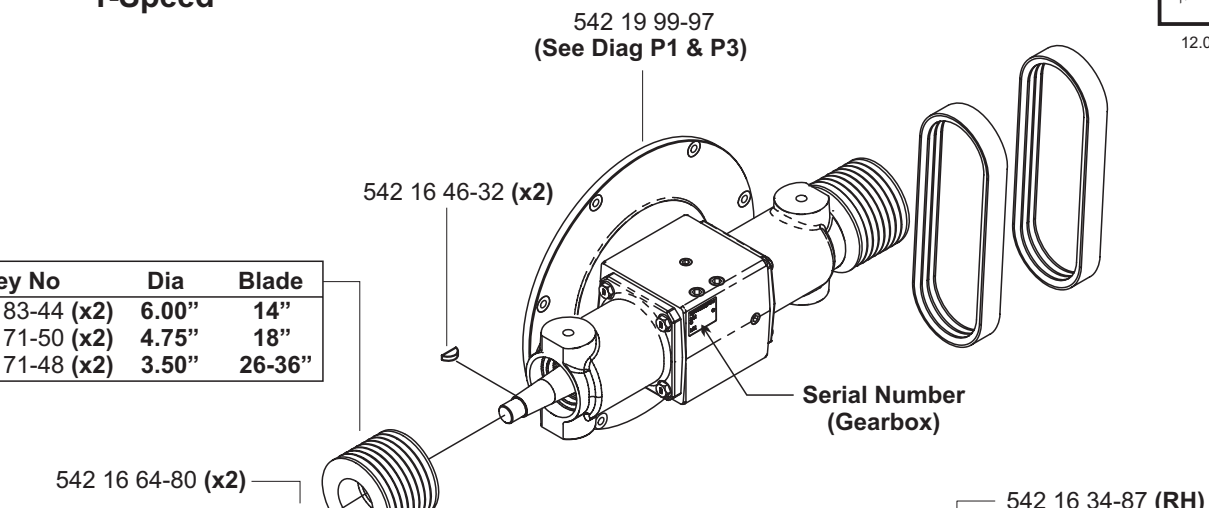
# S1 Gearbox-Blade Shaft

**\*\* 1-Speed \*\***

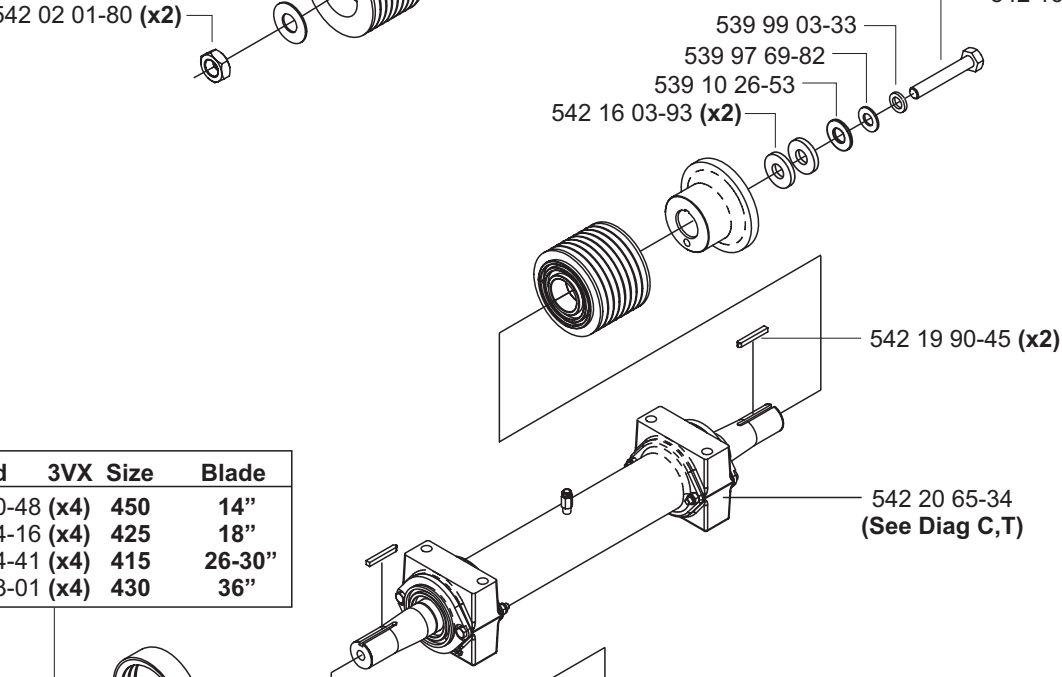


12.05.06

Pulley No	Dia	Blade
541 20 83-44 (x2)	6.00"	14"
541 20 71-50 (x2)	4.75"	18"
541 20 71-48 (x2)	3.50"	26-36"



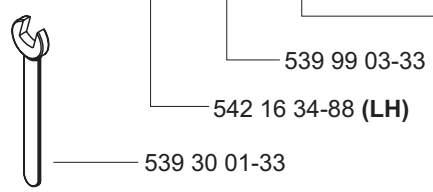
3-Band	3VX Size	Blade
542 18 60-48 (x4)	450	14"
542 19 04-16 (x4)	425	18"
542 19 84-41 (x4)	415	26-30"
542 20 63-01 (x4)	430	36"



Pulley No	Dia	Blade
542 19 88-66 (x2)	4.12"	14-18"
542 19 88-58 (x2)	4.75"	26-30"
542 19 88-65 (x2)	5.60"	36"

Inner Flange	Dia	Blade
542 20 62-02 (x2)	4.5"	14-18"
541 20 68-88 (x2)	5.0"	26-30"
542 19 88-64 (x2)	6.0"	36"

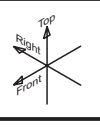
Outer Flange w/ Dowel Pin	Dia	Blade	Dowel Pin	Dia x Lg
542 16 31-72	4.5"	14-18"	542 02 03-04	.375 x 1.50"
542 16 63-07	5.0"	26-30"	542 02 03-04	.375 x 1.50"
542 16 32-72	6.0"	36"	542 16 34-85	.375 x 1.75"



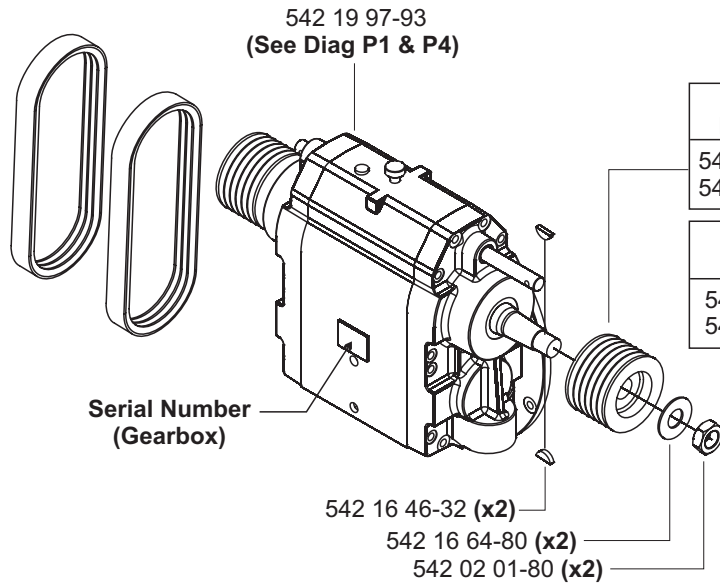
541 20 71-00 Sheave Puller Kit (Optional)

# S2 Gearbox-Blade Shaft

**\*\* 3 - Speed \*\***

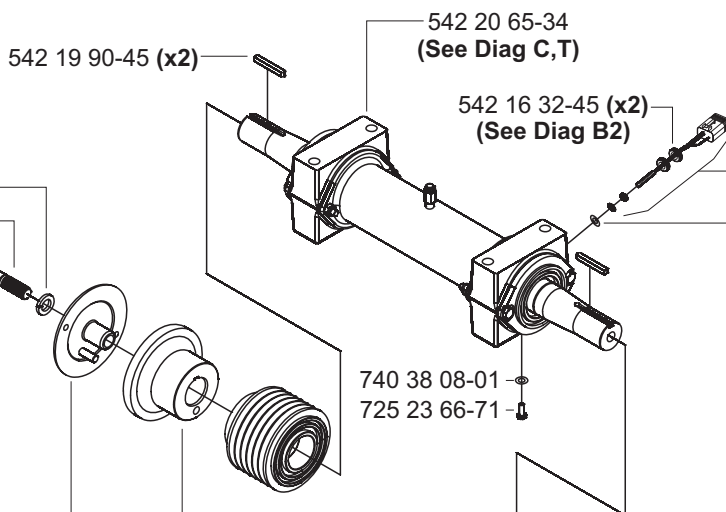


12.05.06



Engine Pulley No	Pulley Dia	Flange Dia
541 20 71-46 (x2)	4.12	5.0" - 6.0"
541 20 71-49 (x2)	4.50	4.5"

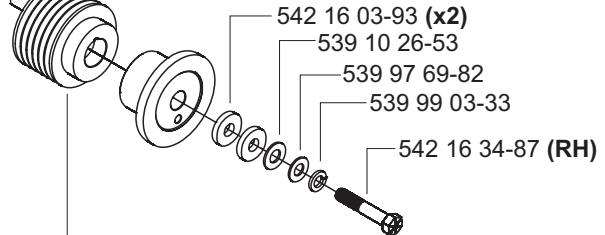
3-Band V-Belt	3VX Size	Flange Dia
542 20 64-47 (x4)	520	4.5" - 5.0"
541 20 08-48 (x4)	530	6.0"



\*542 20 66-34 Kit, Prox Switch  
(Includes: \*Proximity Switch w/ Con,  
\*542 20 11-13 Instruction Sheet &  
\*542 20 64-78 Alignment Tool)

Inner Flange	Dia
542 20 62-02 (x2)	4.5"
541 20 68-88 (x2)	5.0"
542 19 88-64 (x2)	6.0"

Outer Flange w/ Dowel Pin	Dia	Dowel Pin	Dia x Lg
542 16 31-72	4.5"	542 02 03-04	.375 x 1.50"
542 16 63-07	5.0"	542 02 03-04	.375 x 1.50"
542 16 32-72	6.0"	542 16 34-85	.375 x 1.75"

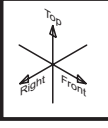


Bladeshaft Pulley No	Pulley Dia	Flange Dia
542 19 88-66 (x2)	4.12"	4.5"
541 20 71-36 (x2)	4.50"	5.0"
541 20 71-34 (x2)	5.20"	6.0"

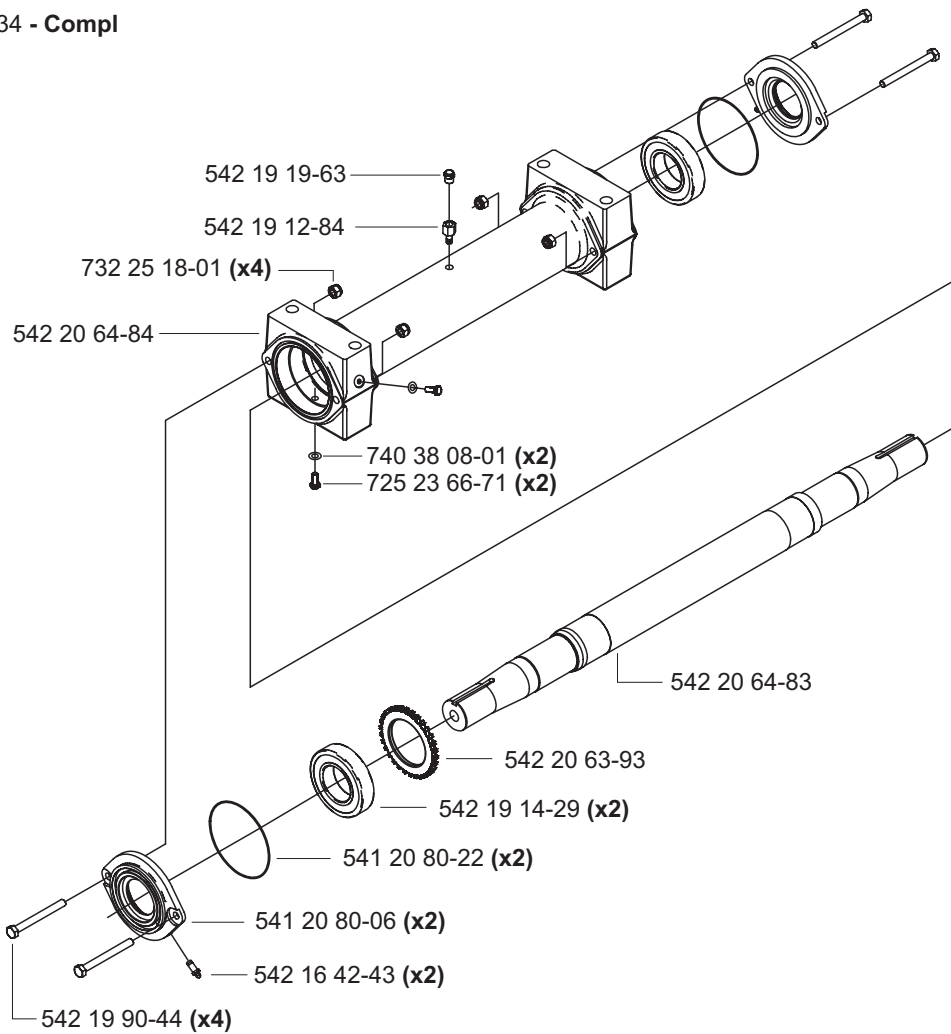
541 20 71-00 Kit, Sheave Puller  
(Optional)

# T Blade Shaft

542 20 65-34 - Compl



12.05.06



### 1-Speed Blade Shaft Assemblies - Complete with: Pulleys, Flanges & Mounting Fasteners

12.05.06

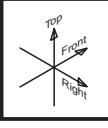
Complete Assy No	Blade Dia Inch [mm]	Blade Shaft Pulley (x2)	Pulley Dia Inch [mm]	Inner Flange	Outer Flange (w/ Pin)	Flange Dia Inch [mm]
542 20 63-38	14" [350]	542 19 88-66	4.12" [105]	542 20 62-02	542 16 31-72	4.5" [114]
"	18" [450]					
542 20 63-39	26" [650]	542 19 88-58	4.75" [121]	541 20 68-88	542 16 63-07	5.0" [127]
"	30" [750]					
542 20 63-40	36" [900]	542 19 88-65	5.60" [142]	542 19 88-64	542 16 32-72	6.0" [152]

### 3-Speed Blade Shaft Assemblies - Complete with: Pulleys, Flanges, Proximity Switch, 3-Speed Decals & Mounting Fasteners

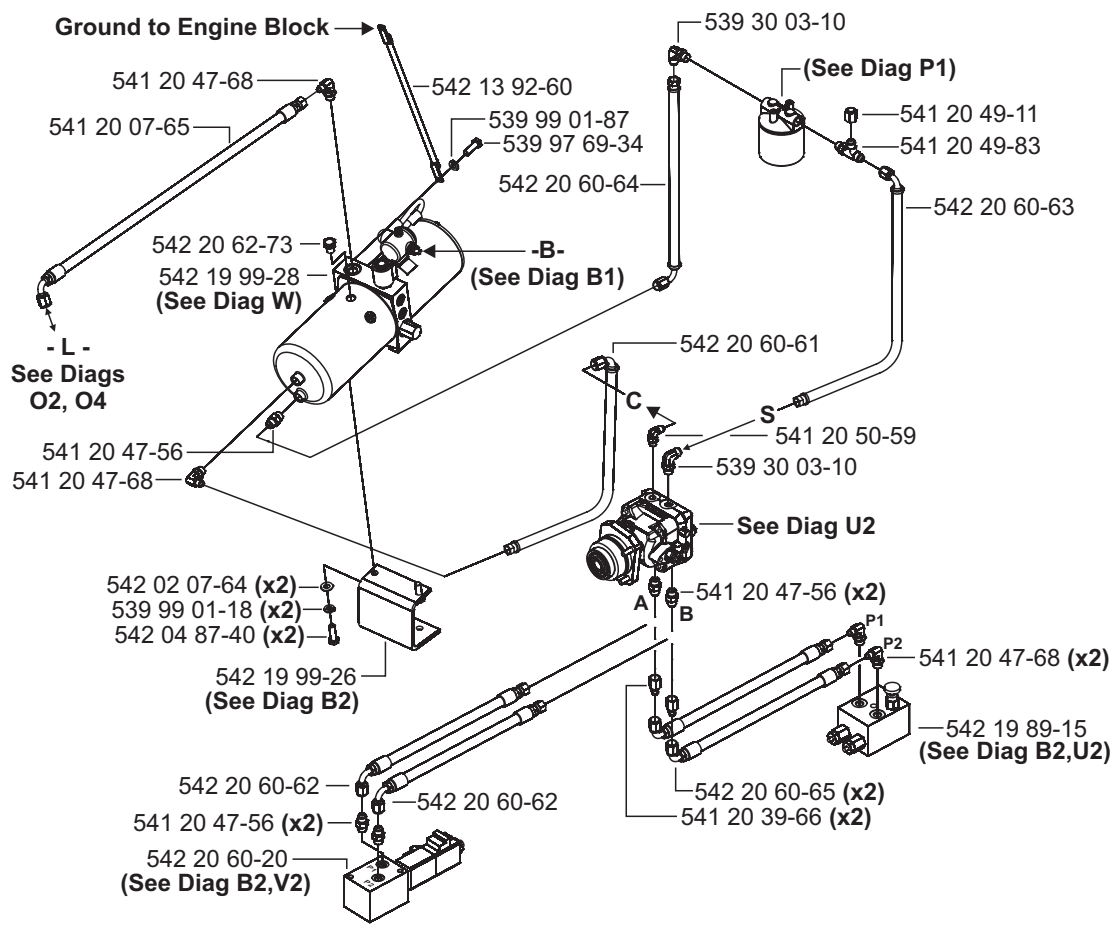
12.05.06

Complete Assy No	Blade Dia Inch [mm]	Blade Shaft Pulley (x2)	Pulley Dia Inch [mm]	Inner Flange	Outer Flange (w/ Pin)	Flange Dia Inch [mm]
542 20 63-82	14" [350]	542 19 88-66	4.12" [105]	542 20 62-02	542 16 31-72	4.5" [114]
"	20" [500]					
"	26" [650]					
542 20 63-79	18" [450]	541 20 71-36	4.50" [114]	541 20 68-88	542 16 63-07	5.0" [127]
"	26" [650]					
"	30" [750]					
542 20 63-80	20" [500]	541 20 71-34	5.20" [132]	542 19 88-64	542 16 32-72	6.0" [152]
"	30" [750]					
"	36" [900]					

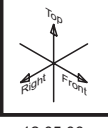
# U1 Lift Pump, Valve & Filter Assy



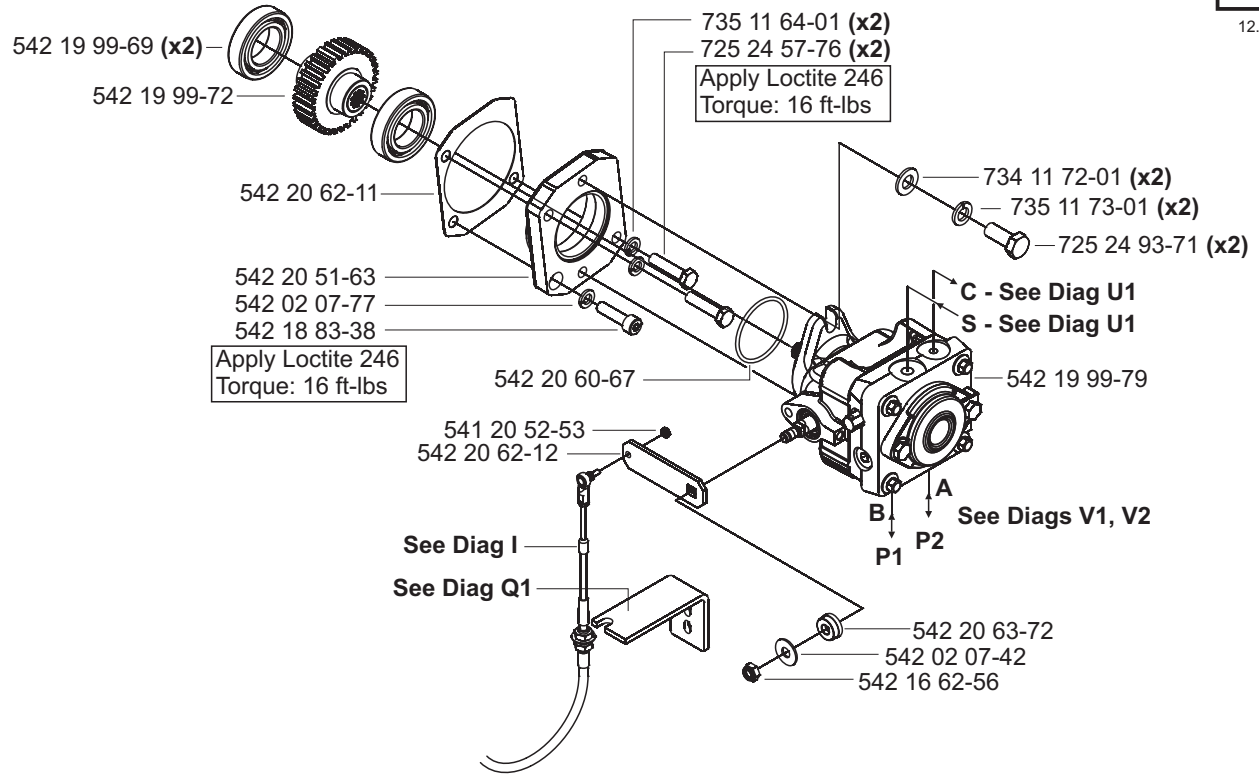
12.05.06

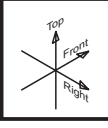


# U2 Hydraulic Drive Pump Assy See Diag Q2



12.05.06



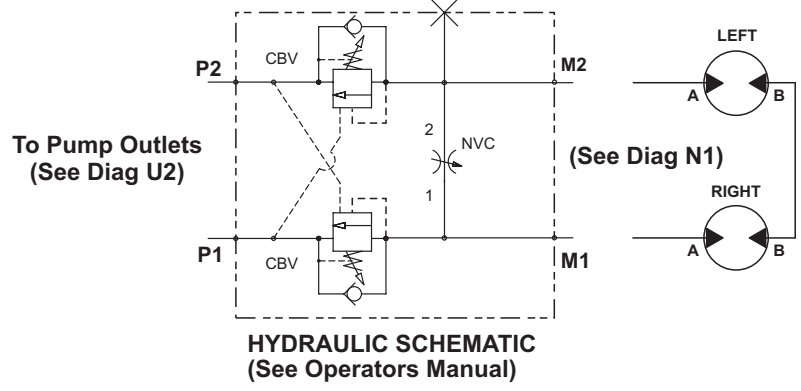
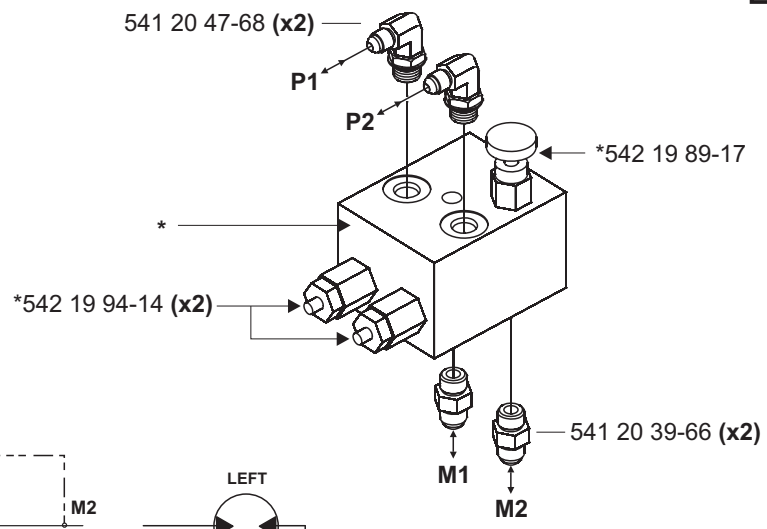


12.05.06

# V1 Bypass / C'-Balance Valve

**\*\* Front Pivot \*\***  
(See Diag B2)

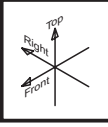
\*542 19 89-15 Valve - Compl



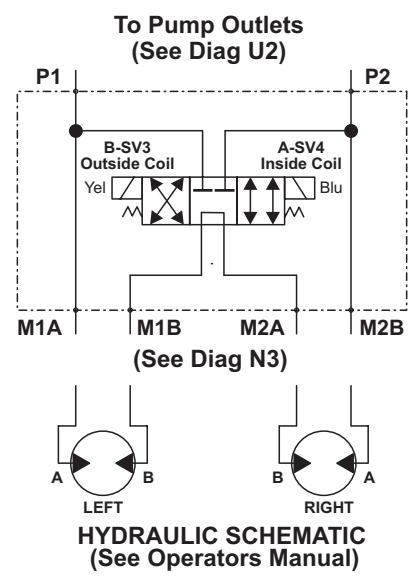
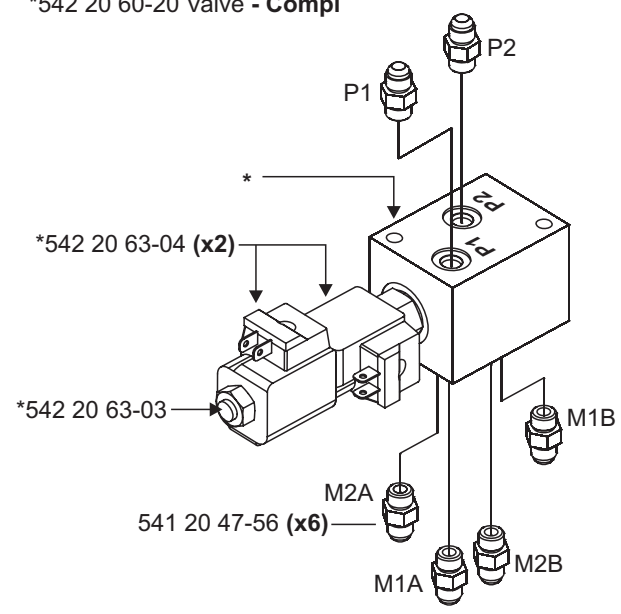
# V2 Differential Lock Valve

**\*\* Rear Pivot \*\***  
(See Diag B2 & N3)

\*542 20 60-20 Valve - Compl



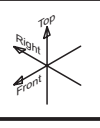
12.05.06



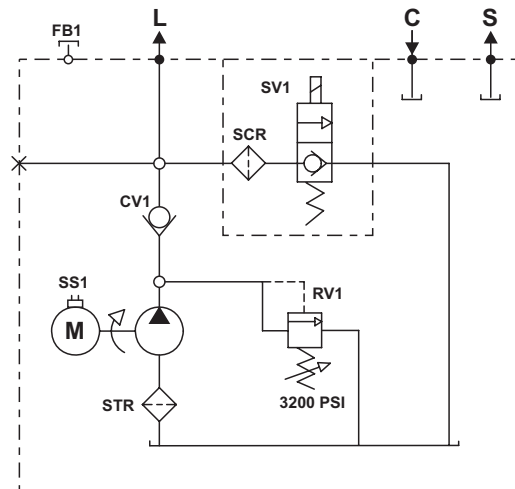
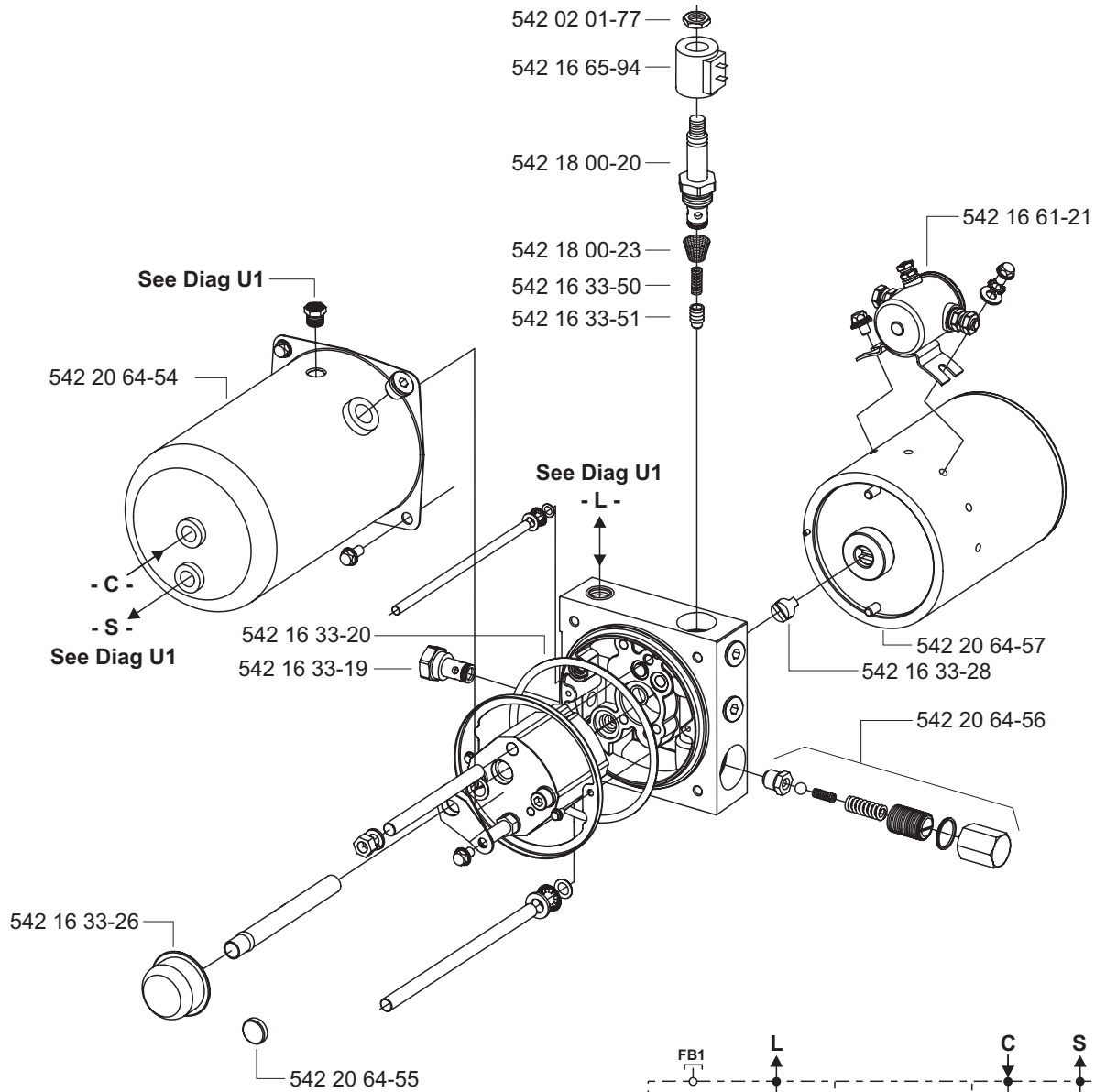


# W Lift Pump

542 19 99-28 - Compl

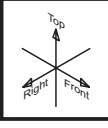


12.05.06



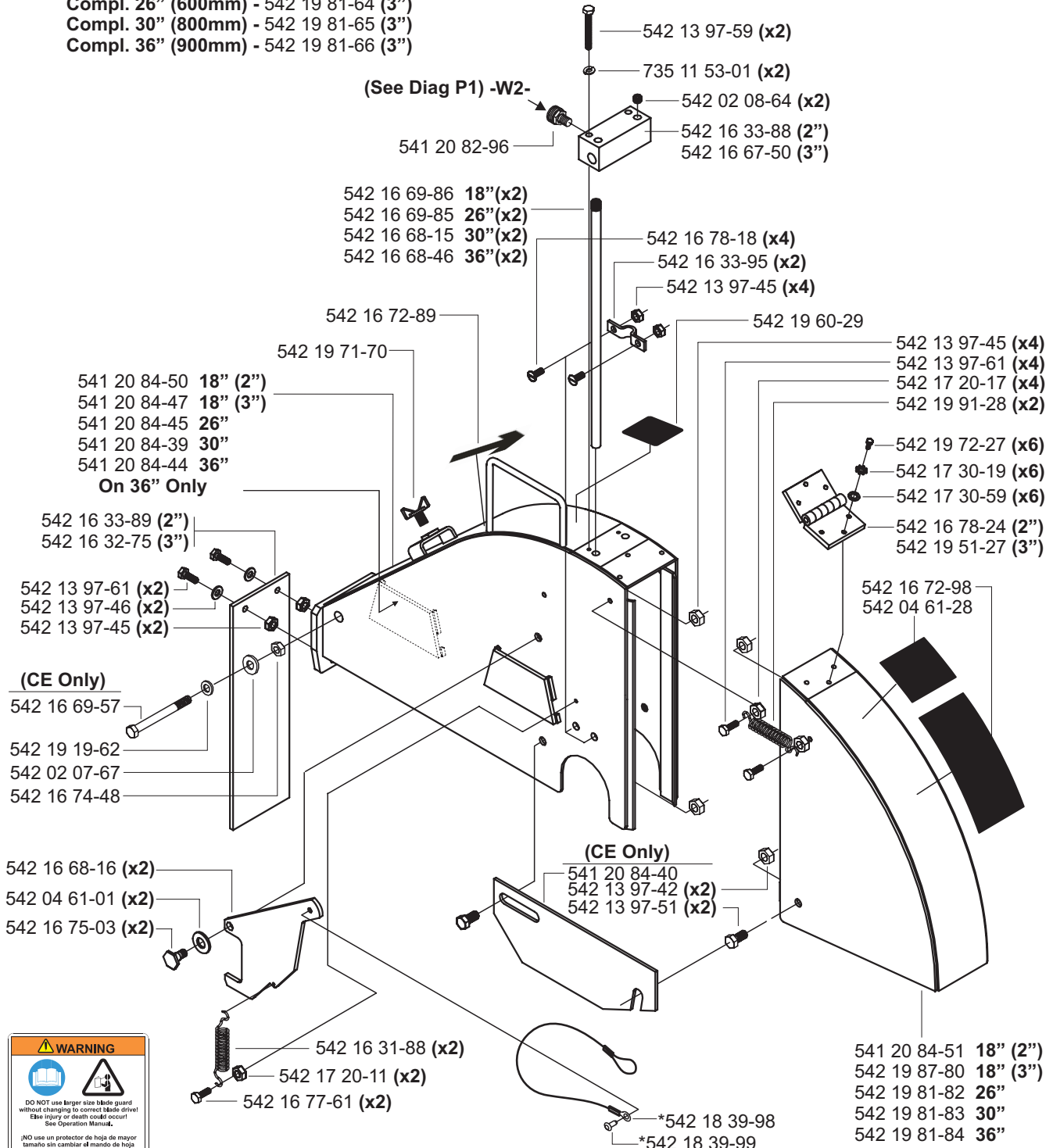
**HYDRAULIC SCHEMATIC**  
See Operator's Manual

# X1 Blade Guard Assy - Slip-On - Gray



12.11.06

- Compl. 18" (450mm) - 542 19 81-63 (2") Non-CE
- Compl. 18" (450mm) - 542 19 87-78 (3")
- Compl. 26" (600mm) - 542 19 81-64 (3")
- Compl. 30" (800mm) - 542 19 81-65 (3")
- Compl. 36" (900mm) - 542 19 81-66 (3")



**WARNING**

DO NOT use larger size blade guard without changing to correct blade drive! Eye injury or death could occur! See Operator Manual.

(NO use un protector de hoja de mayor tamaño sin cambiar el mando de hoja correcto!)

(De lo contrario se pueden producir lesiones graves o mortales! Ver el manual de operación.)

NE PAS utiliser une protection de disque de plus grande taille sans changer en même temps le courroie d'entraînement! Risque de blessures graves, voire mortelles! Voir le manuel.

Bei Verwendung einer größeren Sägeblattabdeckung MUSS der entsprechende Antrieb installiert werden! Andernfalls besteht Verletzungs- oder Lebensgefahr! Siehe Betriebsanleitung.

Gebruik GEEN grotere bladafdekking zonder de aandrijving aan te passen! Indien dit niet gebeurt, zou dit tot een letsel of de dood kunnen leiden! Zie bedieningshandleiding.

NON usare un riparo del disco di dimensioni più grandi senza cambiare anche la trasmissione del disco nella misura corretta!

In caso contrario, si possono verificare infortuni o morti. Vedere il Manuale d'uso.

ANVÄND INTE ett bladskydd som är större utan att byta till rätt bladdriv!

Det kan orsaka personskada eller död! Se bruksanvisningen.

**WARNING**

DO NOT CHANGE TO A LARGER BLADE GUARD SIZE WITHOUT CHANGING TO PROPER BELT DRIVE, ENGINE SPEED AND BLADE FLANGES. FAILURE TO COMPLY COULD RESULT IN DEATH OR SERIOUS BODILY INJURY. SEE OPERATOR'S MANUAL FOR INSTRUCTIONS. IF YOU DO NOT HAVE AN OPERATOR'S MANUAL, CALL TOLL FREE 1-800-288-5040

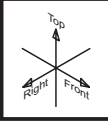


\*Latch Kit - 542 19 11-42 (x2)  
(Standard on: 26", 30" & 36")

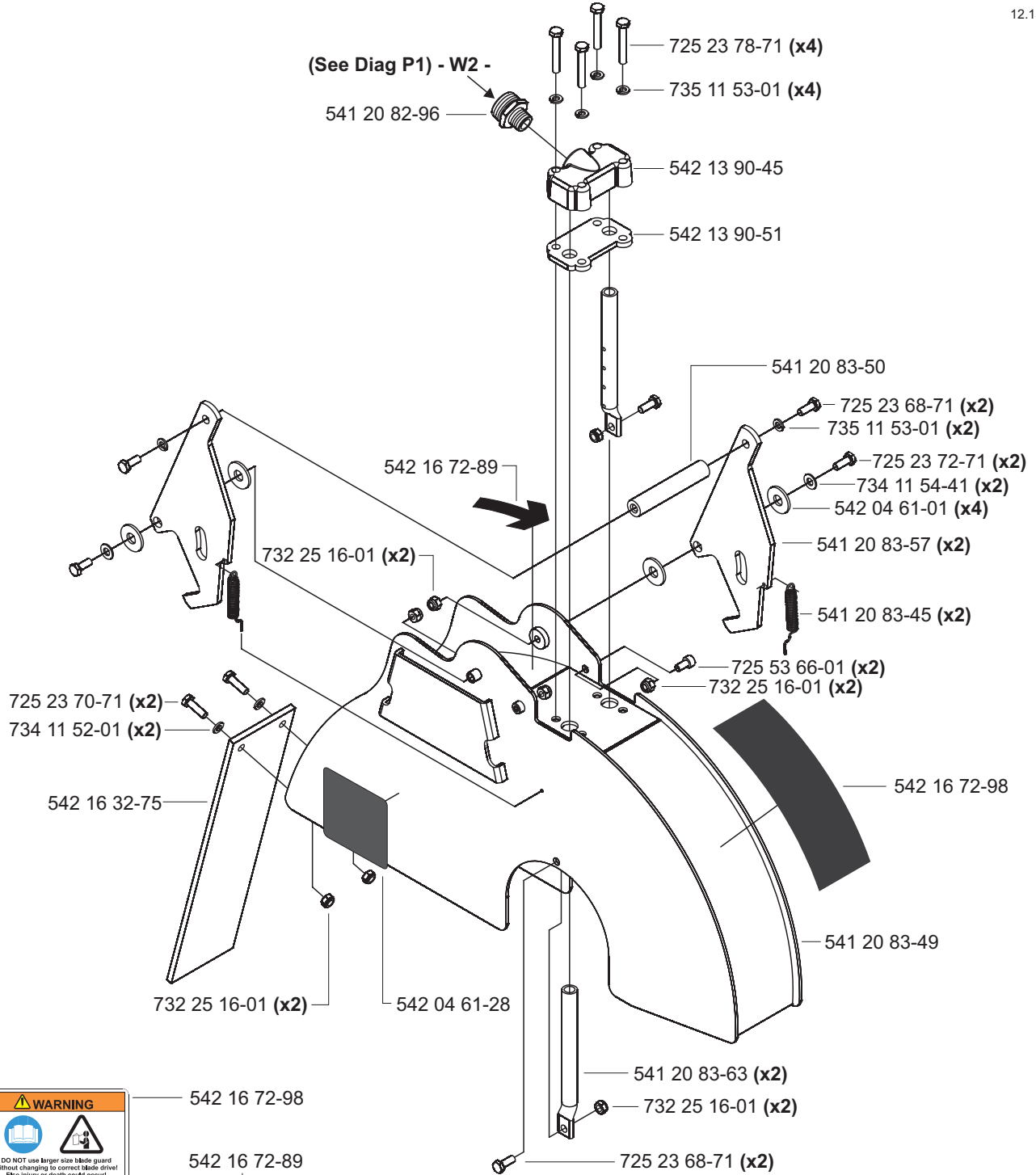


# X2 Blade Guard, Husqvarna Gray - Slip-On

Compl. 14" - 541 20 83-66



12.15.06



**WARNING**

DO NOT use larger size blade guard without changing to correct blade drive! Else injury or death could occur! See Operation Manual.

(NO use un protector de hoja de mayor tamaño sin cambiar el mando de hoja correcto!)

(De lo contrario se pueden producir lesiones graves o mortales! Ver el manual de operación.)

NE PAS utiliser une protection de disque de plus grande taille sans changer en même temps le courroie d'entraînement! Risque de blessures graves, voire mortelles! Voir le manuel.

Bei Verwendung einer größeren Sägeblattabdeckung MUSS der entsprechende Antrieb installiert werden! Andernfalls besteht Verletzungs- oder Lebensgefahr! Siehe Betriebsanleitung.

Gebruik GEEN grotere bladafdekking zonder de aandrijving aan te passen! Andernzins kan ernstige verwondingen of de dood kunnen leiden! Zie bedieningshandleiding.

NON usare un riparo del disco di dimensioni più grandi senza cambiare anche la trasmissione del disco nella misura corretta! In caso contrario, si possono verificare infortuni o morti. Vedere il Manuale d'uso.

ANVÄND INTE ett bladskydd som är större utan att byta till rätt bladdriv! Det kan orsaka personskada eller död! Se bruksanvisningen.

542 16 72-98

542 16 72-89

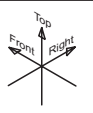
542 04 61-28

**WARNING**

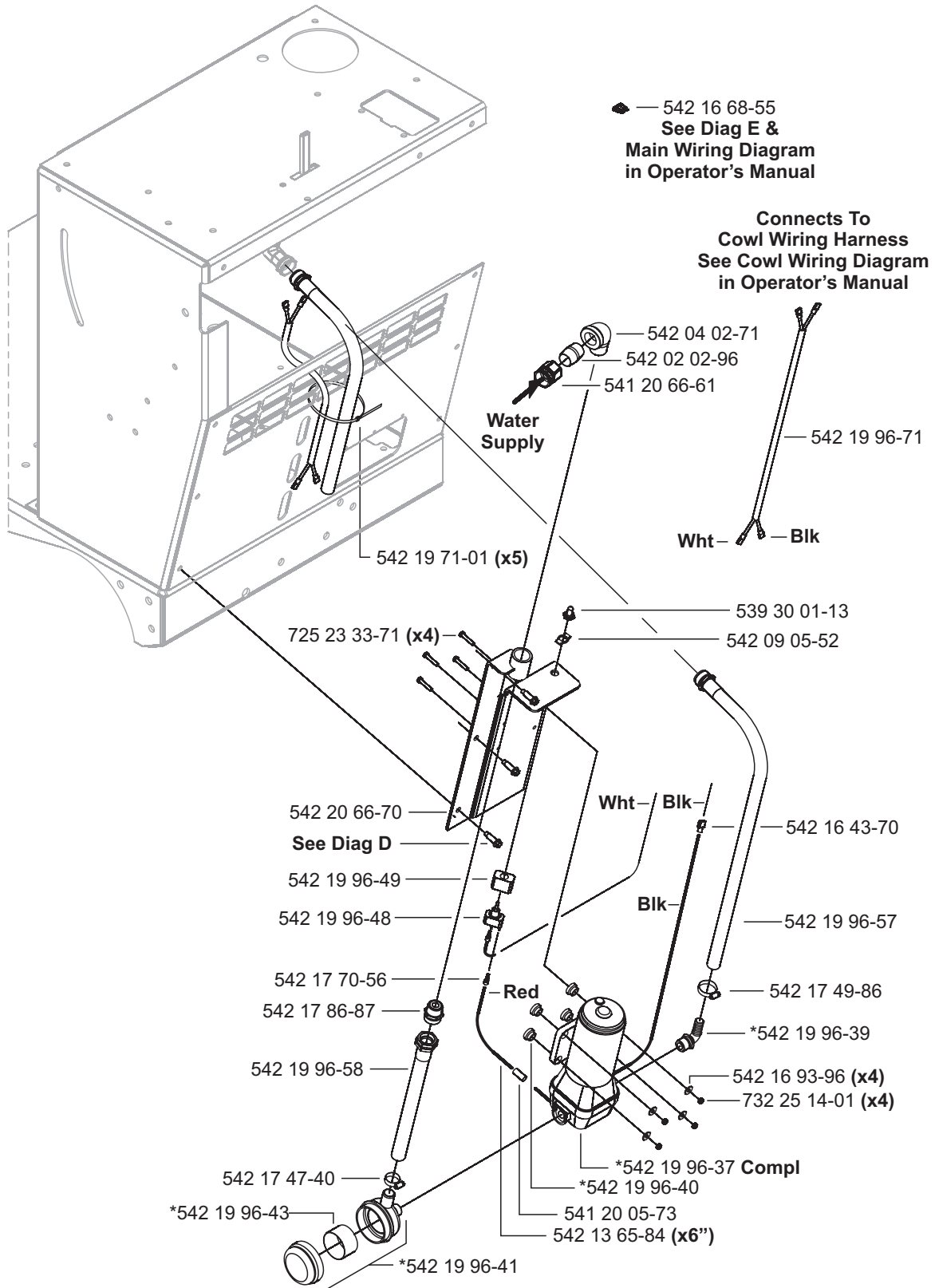
DO NOT CHANGE TO A LARGER BLADE GUARD SIZE WITHOUT CHANGING TO PROPER BELT DRIVE, ENGINE SPEED AND BLADE FLANGES. FAILURE TO COMPLY COULD RESULT IN DEATH OR SERIOUS BODILY INJURY. SEE OPERATOR'S MANUAL FOR INSTRUCTIONS. IF YOU DO NOT HAVE AN OPERATOR'S MANUAL, CALL TOLL FREE 1-800-288-5040

# Y Water Pump Kit

Compl Kit - 542 20 66-72



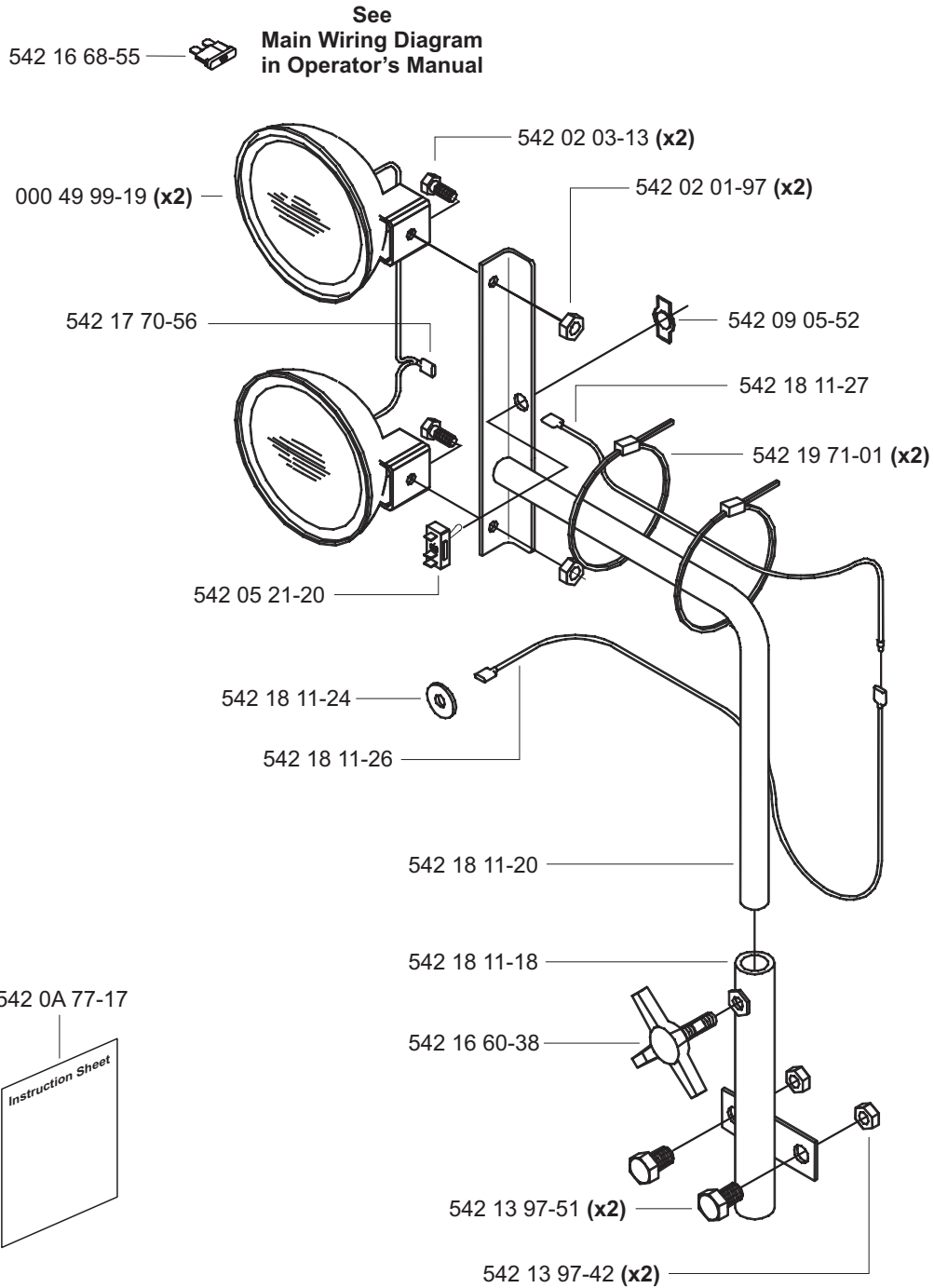
12.05.06



# Z Dual Work Light Kit

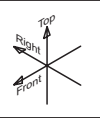
Compl Kit - 542 18 11 -17

12.15.06

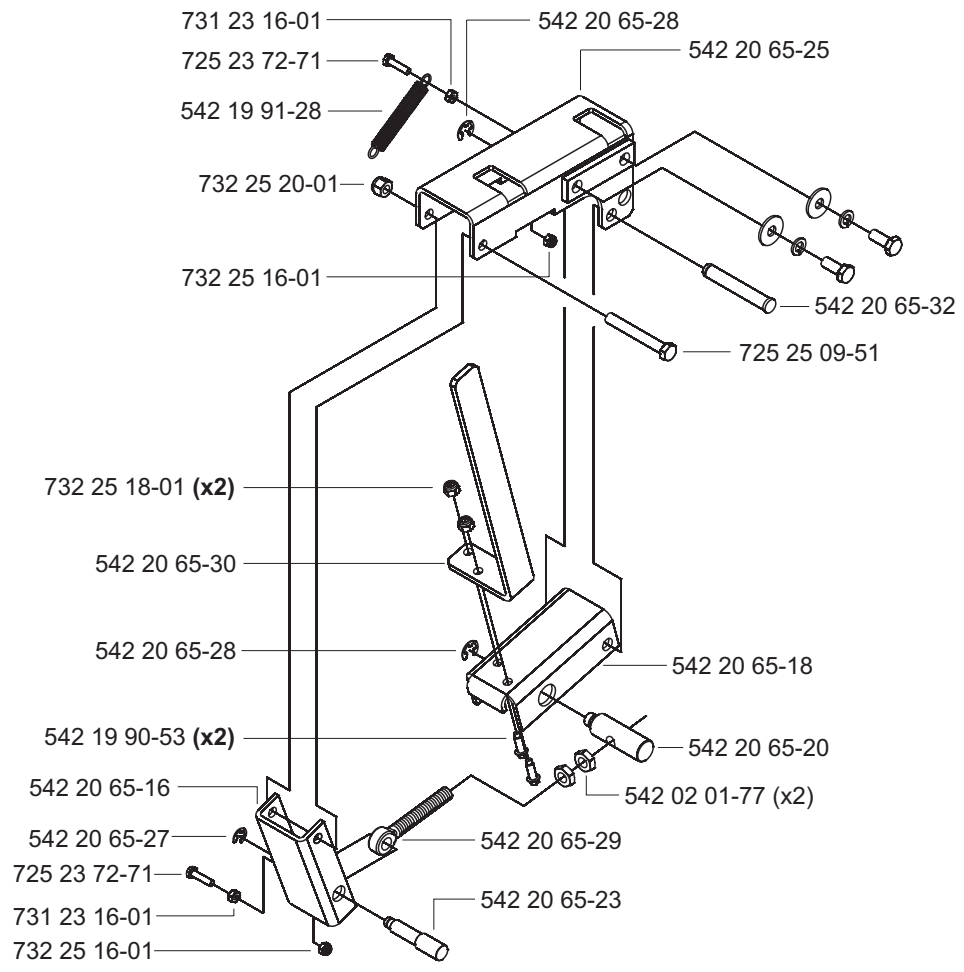


# AA Parking Brake

**\*\* Rear Pivot Only \*\***



12.18.06

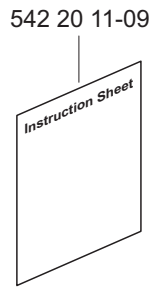


## Parking Brake Installation

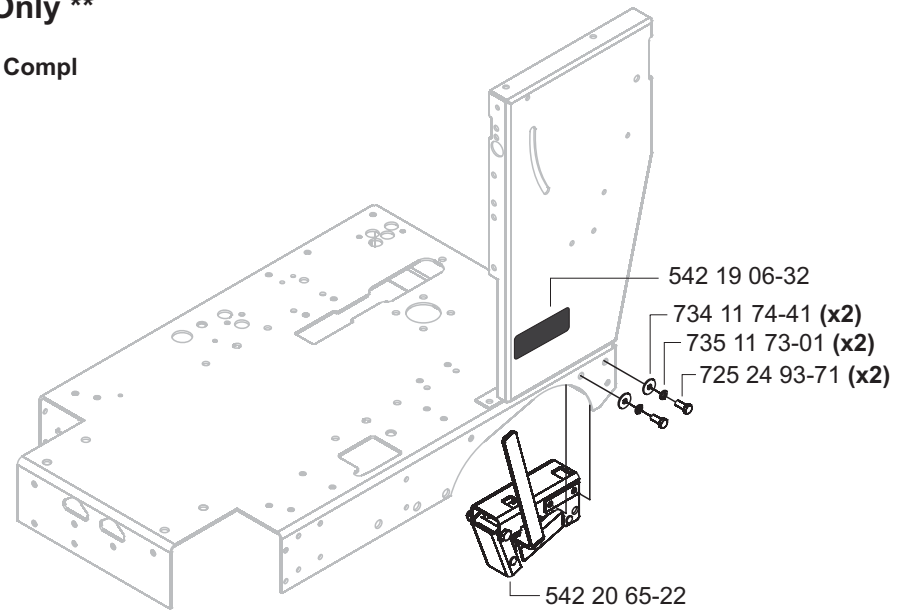
**\*\* Used for Rear Pivot Only \*\***

12.05.06

542 20 65-15 Parking Brake - Compl



542 19 06-32





**Husqvarna Construction Products N. A.**  
**Corporate Office**  
17400 West 119th Street  
Olathe, Kansas 66061  
Tel. 913-928-1000  
Fax 913-438-7951

Customer Service: 800-288-5040  
Customer Serv. Fax: 800-825-0028



### **DUST WARNING**



**Cutting, especially when DRY cutting, generates dust that comes from the material being cut, which frequently contains silica.** Silica is a basic component of sand, quartz, brick clay, granite and numerous other minerals and rocks. Exposure to excessive amount of such dust can cause:

- Respiratory diseases (affecting your ability to breath), including chronic bronchitis, silicosis and pulmonary fibrosis from exposure to silica. These diseases may be fatal;
- Skin irritation and rash; and
- Cancer according to NTP\* and IARC\*  
\* National Toxicology Program / International Agency for Research on Cancer

Take precautionary steps

- Avoid inhalation of and skin contact with dust, mist and fumes;
- Wet cut when feasible, to minimize dust;
- Wear and ensure that all bystanders wear appropriate respiratory protection such as dust masks designed to filter out microscopic particles. (See OSHA 29 CFR Part 1910.1200)

**California Prop 65 Warning:**

Use of this product can cause exposure to materials known to the State of California to cause cancer and/or birth defects or other reproductive harm.



Printed in the USA