



 **Husqvarna**[®]



ST 424, ST 427, ST 430, ST 424T, ST
427T, ST 430T

EN Operator's manual
ES-MX Manual del usuario
FR-CA Manuel d'utilisation

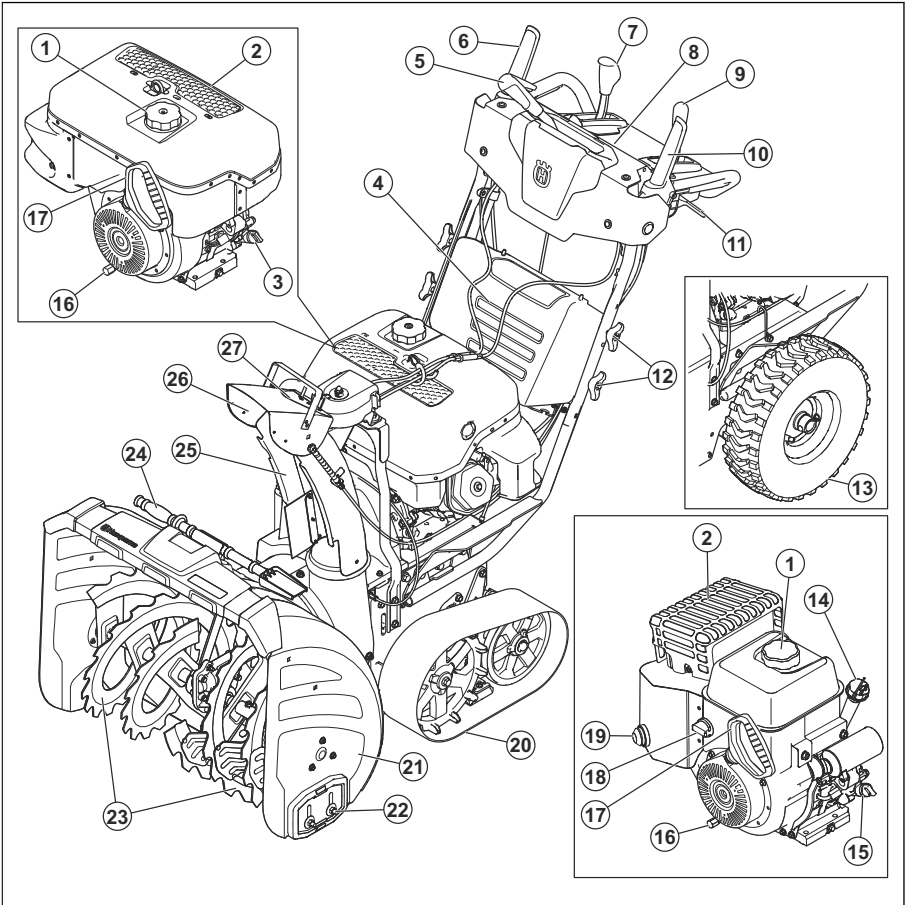
2-28
29-58
59-88

Contents

Introduction.....	2	Maintenance.....	15
Safety.....	4	Troubleshooting.....	25
Assembly.....	8	Transportation, storage and disposal.....	27
Operation.....	11	Technical data.....	28

Introduction

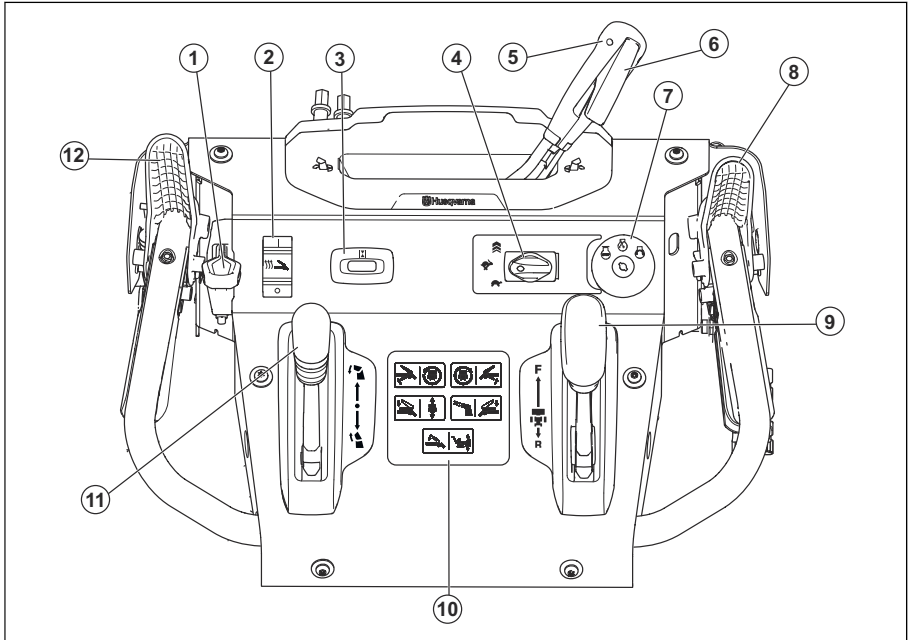
Product overview



- | | |
|---|-------------------------|
| 1. Fuel tank cap | 7. Drive speed lever |
| 2. Muffler | 8. Control panel |
| 3. Oil fill/dipstick (for ST 424T/427T/430T only) | 9. Remote control lever |
| 4. Battery cover | 10. Drive engagement |
| 5. Discharge chute lever | 11. Steering triggers |
| 6. Auger engagement | 12. Handle knobs |

- 13. Wheel (for ST 424/427/430 only)
- 14. Dipstick (for ST 424/427/430 only)
- 15. Oil fill (for ST 424/427/430 only)
- 16. Oil drain
- 17. Starter rope handle
- 18. Fuel ON/OFF switch (for ST 424/427/430 only)
- 19. Primer (for ST 424/427/430 only)
- 20. Continuous track (for ST 424T/427T/430T only)
- 21. Auger bucket
- 22. Skid plate
- 23. Augers
- 24. Tool for cleaning
- 25. Discharge chute
- 26. Discharge chute deflector
- 27. LED light

Product overview



- 1. Adjustment lever for the auger bucket
- 2. ON/OFF switch for the heated grip
- 3. Hour meter and oil change reminder
- 4. Throttle
- 5. Discharge chute lever
- 6. Release lever
- 7. Ignition slot
- 8. Auger engagement
- 9. Drive speed lever
- 10. Symbols label
- 11. Remote control lever for the discharge chute deflector
- 12. Drive engagement

Product description

The product is a snow thrower that is used to remove snow from the ground.

Intended use

This product can be used to remove snow from fields, roads, walkways and driveways. Do not use it on slopes that are greater than 20°. Do not use the product in areas where there is much debris, dirt and protruding stones.

Symbols on the product

Note: If the decals on the product are damaged, contact the distributor to replace them.



Warning.



Read the operator's manual.



Power on.



Start the engine.



Engine off.



Boost.



Fast.



Slow.



Oil change reminder.



Heated handles.



Remove key before maintenance.



Hot surface.



Risk of fire.



Beware of thrown objects.



Keep bystanders away.



Do not breathe in exhaust fumes.



Move slowly rearward.



Risk of falling.



Turn left.



Turn right.



Throw snow.



Change auger bucket height.

Product liability

As referred to in the product liability laws, we are not liable for damages that our product causes if:

- the product is incorrectly repaired.
- the product is repaired with parts that are not from the manufacturer or not approved by the manufacturer.
- the product has an accessory that is not from the manufacturer or not approved by the manufacturer.
- the product is not repaired at an approved service center or by an approved authority.

Safety

Safety definitions

The definitions below give the level of severity for each signal word.



WARNING: Injury to persons.



CAUTION: Damage to the product.

Note: This information makes the product easier to use.

General safety instructions

- Use the product correctly. Injury or death is a possible result of incorrect use. Only use the product for the tasks found in this manual. Do not use the product for other tasks.
- Obey the instructions in this manual. Obey the safety symbols and the safety instructions. If the operator does not obey the instructions and the

symbols, injury, damage or death is a possible result.

- Do not discard this manual. Use the instructions to assemble, to operate and to keep your product in good condition. Use the instructions for correct installation of attachments and accessories. Only use approved attachments and accessories.
- Do not use a damaged product. Obey the maintenance schedule. Only do the maintenance work that you find an instruction about in this manual. An approved service center must do all other maintenance work.
- This manual cannot include all situations that can occur when you use the product. Be careful and use your common sense. Do not operate the product or do maintenance to the product if you are not sure about the situation. Speak to a product expert, your dealer, service agent or approved service center for information.
- Disconnect the spark plug cable before you assemble the product, put the product into storage or do maintenance.
- Do not use the product if it is changed from its initial specification. Do not change a part of the product without approval from the manufacturer. Only use parts that are approved by the manufacturer. Injury or death is a possible result of incorrect maintenance.
- Do not breathe in the fumes from the engine. Long term inhalation of the engine's exhaust fumes is a health risk.
- Do not start the product indoors or near flammable material. The exhaust fumes are hot and can contain a spark which can start a fire. Not sufficient airflow can cause injury or death because of asphyxiation or carbon monoxide.
- When you use this product the engine makes an electromagnetic field. The electromagnetic field can cause damage to medical implants. Speak to your physician and medical implant manufacturer before you operate the product.
- Do not let a child operate the product. Do not let a person, without knowledge of the instructions operate the product.
- Make sure that you always monitor a person, with decreased physical capacity or mental capacity, that uses the product. A responsible adult must be there at all times.
- Lock the product in an area that children and unapproved persons cannot access.
- The product can eject objects and cause injuries. Obey the safety instructions to decrease the risk of injury or death.
- Do not go away from the product when the engine is on.
- The operator of the product is responsible if an accident occurs.
- Before and while you walk rearward, look behind and down for small children, animals or other risks that can cause you to fall.

- Make sure that parts are not damaged before you use the product.
- Make sure that you are at a minimum 15 m (50 ft) away from other persons or animals before you use the product. Make sure that a person in adjacent area knows that you will use the product.
- Refer to national or local laws. They can prevent or decrease the operation of the product in some conditions.

Safety instructions for operation

- Do not put hands or feet near or under rotating parts. Keep clear of the discharge opening at all times.
- Exercise extreme caution when operating on or crossing gravel drives, walks, or roads. Stay alert for hidden hazards or traffic.
- After striking a foreign object, stop the engine (motor), remove the wire from the spark plug, disconnect the cord on electric motors, thoroughly inspect the product for any damage, and repair the damage before restarting and operating the product.
- If the product starts to vibrate abnormally, stop the engine (motor) and check immediately for the cause. Vibration is generally a warning of trouble.
- Stop the engine (motor) whenever you leave the operating position, before unclogging the auger housing or chute deflector, and when making any repairs, adjustments or inspections.
- When cleaning, repairing or inspecting the product, stop the engine and make certain the augers and all moving parts have stopped. Disconnect the spark plug wire and keep the wire away from the plug to prevent someone from accidentally starting the engine.
- Do not run the engine indoors, except when starting the engine and for transporting the product in or out of the building. Open the outside doors; exhaust fumes are dangerous.
- Exercise extreme caution when operating on slopes.
- Never operate the product without proper guards, and other safety protective devices in place and working.
- Never direct the chute deflector toward people or areas where property damage can occur. Keep children and others away.
- Do not overload the product capacity by attempting to clear snow at too fast a rate.
- Never operate the product at high transport speeds on slippery surfaces. Look behind and use care when operating in reverse.
- Disengage power to the augers when the product is transported or not in use.
- Use only attachments and accessories approved by the manufacturer of the product (such as wheel weights, counterweights, or cabs).

- Never operate the product without good visibility or light. Always be sure of your footing, and keep a firm hold on the handles. Walk; never run.
- Never touch a hot engine or muffler.

Work area safety

- Thoroughly inspect the area where the equipment is to be used and remove all doormats, sleds, boards, wires, and other foreign objects.
- Disengage all clutches and shift into neutral before starting the engine (motor).
- Do not operate the product without wearing adequate winter garments. Avoid loose fitting clothing that can get caught in moving parts. Wear footwear that will improve footing on slippery surfaces.
- Handle fuel with care; it is highly flammable.
 - Use an approved fuel container.
 - Never add fuel to a running engine or hot engine.
 - Fill fuel tank outdoors with extreme care. Never fill fuel tank indoors.
 - Never fill containers inside a vehicle or on a truck or trailer bed with a plastic liner. Always place containers on the ground, away from your vehicle, before filling.
 - When practical, remove gas-powered equipment from the truck or trailer and refuel it on the ground. If this is not possible, then refuel such equipment on a trailer with a portable container, rather than from a gasoline dispenser nozzle.
 - Keep the nozzle in contact with the rim of the fuel tank or container opening at all times, until refueling is complete. Do not use a nozzle lock-open device.
 - Replace gasoline cap securely and wipe up spilled fuel.
 - If fuel is spilled on clothing, change clothing immediately.
- Use extension cords and receptacles as specified by the manufacturer for all units with electric drive motors or electric starting motors.
- Adjust the auger housing height to clear gravel or crushed rock surface.
- Never attempt to make any adjustments while the engine (motor) is running (except when specifically recommended by the manufacturer).
- Always wear safety glasses or eye shields during operation or while performing an adjustment or repair to protect eyes from foreign objects that may be thrown from the machine.

Personal protective equipment

Always use the correct personal protective equipment when you operate the product. This includes, at minimum, sturdy footwear, eye protection and hearing protection. Personal protective equipment does not erase the risk of injury

but may decrease the grade of injury if an accident occurs.

- Always wear safety glasses or eye protection while you operate the product or do maintenance or repairs.
- Always wear appropriate winter garments when you operate the product.
- Always use heavy-duty slip-resistant boots with good ankle support while you operate the product.
- Do not wear loose fitting clothing that can get caught in moving parts.
- Use approved protective gloves, if necessary. For example, when attaching, examining or cleaning the blade.
- Always use approved ear protection while you operate the product. Noise for a long period can cause noise-induced hearing loss.

Safety devices on the product

- Make sure that you regularly do the maintenance to the product.
 - The life of the product increases.
 - The risk of accidents decreases.

Let an approved dealer or an approved service center regularly examine the product to do adjustments or repairs.

- Do not use a product with damaged protective equipment. If the product is damaged, speak to an approved service center.

Muffler

The muffler keeps the noise levels to a minimum and sends the exhaust fumes away from the operator.

Do not use the product if the muffler is missing or defective. A defective muffler increases the noise level and the risk of fire.

Examine the muffler regularly to make sure that it is attached correctly and not damaged.



CAUTION: The muffler becomes very hot during and after use and when the engine operates at idle speed. Be careful near flammable materials and/or fumes to prevent fire.

Fuel safety




WARNING: Read the warning instructions that follow before you use the product.


- Do not start the product if there is fuel or engine oil on the product. Remove the unwanted fuel/oil and let the product dry.
- If you spill fuel on your clothing, change clothing immediately.


- Do not get fuel on your body, it can cause injury. If you get fuel on your body, use soap and water to remove the fuel.
- Do not start the product if the engine has a leak. Examine the engine for leaks regularly.
- Be careful with fuel. Fuel is flammable and the fumes are explosive and can cause injuries or death.
- Do not breathe in the fuel fumes, it can cause injury. Make sure that there is a sufficient airflow.
- Do not smoke near the fuel or the engine.
- Do not put warm objects near the fuel or the engine.
- Do not add the fuel when the engine is on.
- Make sure that the engine is cool before you refuel.
- Before you refuel, open the fuel tank cap slowly and release the pressure carefully.
- Do not add fuel to the engine in an indoor area. Not sufficient airflow can cause injury or death because of asphyxiation or carbon monoxide.
- Tighten the fuel tank cap fully. If the fuel tank cap is not tightened, there is a risk of fire.
- Move the product a minimum of 3 m (10 ft) from the position where you filled the tank before a start.
- Do not put too much fuel in the fuel tank.

Proposition 65

 <b style="font-size: 1.2em;">WARNING
<p>The engine exhaust from this product contains chemicals known to the State of California to cause cancer, birth defects or other reproductive harm.</p>


Battery safety

	<p>WARNING: A damaged battery can cause an explosion and cause injury. If the battery has a deformation or is damaged, speak to an approved Husqvarna service agent.</p>
--	---


	<p>WARNING: Read the warning instructions that follow before you use the product.</p>
--	--

- Use protective glasses when you are near batteries.
- Do not wear watches, jewelry or other metal objects near the battery.
- Keep the battery out of reach for children.
- Charge the battery in a space with good airflow.
- Keep flammable materials at a minimum clearance of 1 m when you charge the battery.
- Discard replaced batteries. See *Disposal on page 28*.
- Explosive gases can come from the battery. Do not smoke near the battery. Keep the battery away from open flames and sparks.


Proposition 65

 <b style="font-size: 1.2em;">WARNING
<p>This product contains or emits a chemical known to the State of California to cause cancer or birth defects or other reproductive harm.</p>

Proposition 65

 <b style="font-size: 1.2em;">WARNING
<p>Battery posts, terminals and related accessories contain lead and lead compounds, chemicals known to the State of California to cause cancer and birth defects or other reproductive harm. Wash hands after handling.</p>

Safety instructions for maintenance

	<p>WARNING: Read the warning instructions that follow before you use the product.</p>
---	--

- The exhaust fumes from the engine contain carbon monoxide, an odorless, poisonous and

very dangerous gas. Do not start the engine indoors or in closed spaces.

- Before you do the maintenance on the product, stop the engine and remove the ignition cable from the spark plug.
- Use protective gloves when you do maintenance on the blades. The blades are very sharp and cuts can easily occur.
- Accessories and changes to the product that are not approved by the manufacturer, can cause serious injury or death. Do not change the

product. Always use accessories that are approved by the manufacturer.

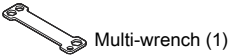
- If the maintenance is not done correctly and regularly, the risk of injury and damage to the product increases.
- Only do the maintenance as given in this operator's manual. All other servicing must be done by an approved service agent.
- Let an approved service agent do servicing on the product regularly.
- Replace damaged, worn or broken parts.

Assembly

To remove the product from the carton

1. Remove loose parts included with the product. Cut the four corners of the carton and put the end panels down flat.
2. Remove the two screws that attach the auger housing to the pallet. Remove the steel brackets from the skid plates if they have it.
3. Cut the cable ties that hold the product to the pallet and remove them.
4. Remove all package materials.
5. Remove the product from the carton and make sure no loose parts are left in the carton.

Loose parts



Multi-wrench (1)



Discharge chute (1)



ON/OFF key (s)



Carriage bolts 5/16-18 x 2 1/4" (2)



Handle knobs (2)



Locknut 3/8 (1)



Locknut 3/18-16 (1)



(ST 424/427/430) Cable holder (1)



Shear pins 1/4-20 x 1.81 (6)



Locknuts 1/4-20 (6)



Locknut 5/16-18 (1)



Locknut 1/4-20 (1)



Nylon washer (1)



Carriage bolt 5/16-18 x 5/8 (1)



Roll pin (1)



Release lever (1)



Discharge chute lever



Spring (1)



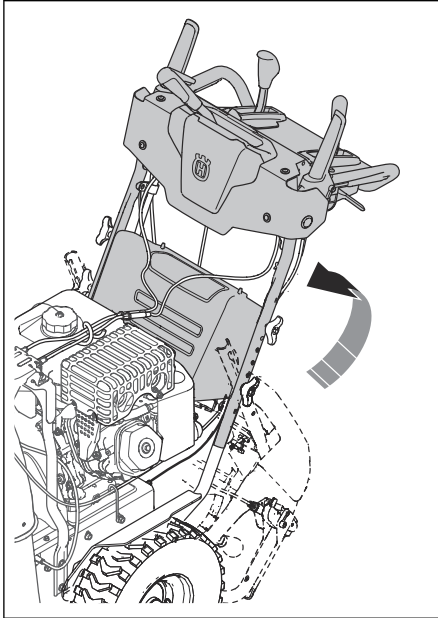
Shoulder bolt 1/4-20 (1)

Tools required

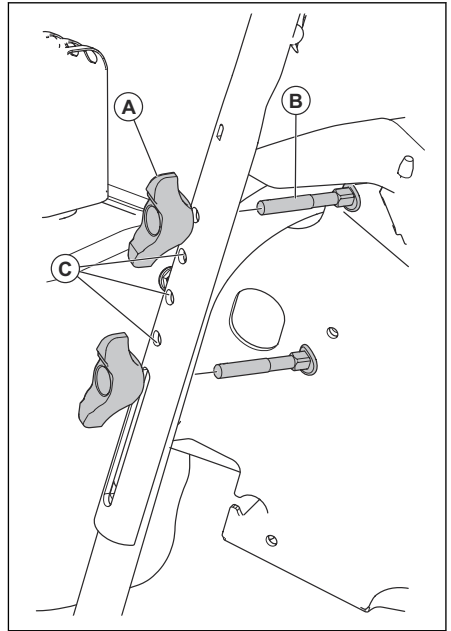
- 3/8 in. wrench (1)
- 7/16 in. wrench (1)
- 1/2 in. wrench (1)
- 9/16 in. deep socket (1)

To install the handle

1. Lift the upper handle to the operation position.



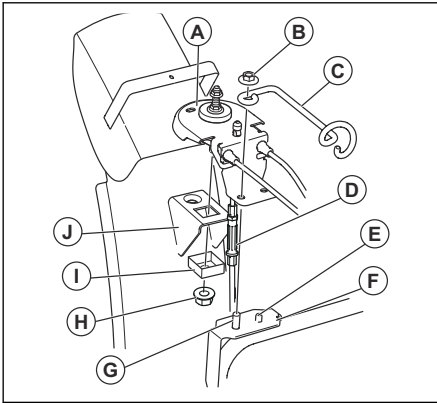
2. Adjust the handle position to one of the holes (C).



3. Put the bolt (B) through the hole (C).
4. Attach the knob (A) to the bolt and tighten the knob.
5. Attach more carriage bolts (B) and handle knobs (A) to attach the upper handle to the lower handle.

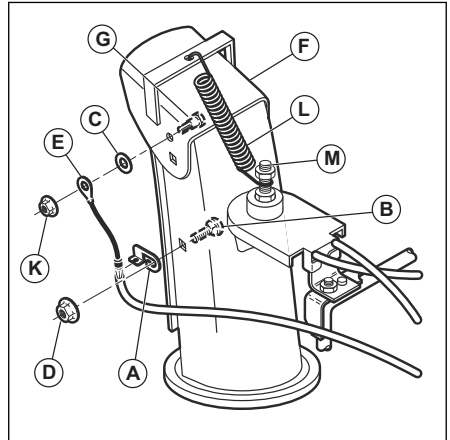
To install the discharge chute

1. Put the deflector assembly for the discharge chute on the top of the discharge chute. The discharge opening must point to the front of the product.
2. Put the rotator head (A) on the discharge chute bracket (J).
3. Align the pins below the rotator head with the holes in the discharge chute bracket.
4. Put the rotator head on the pin (E), and the threaded stud (G) on the bracket (E).



To install the remote control for the discharge chute deflector

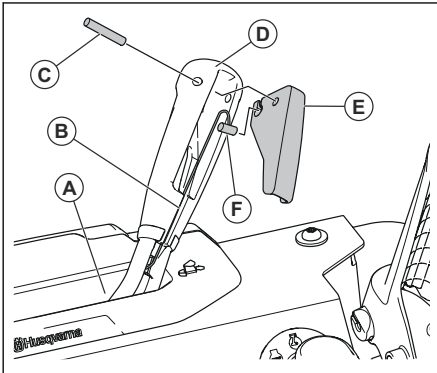
1. Attach the cable bracket (A) to the discharge chute with a carriage bolt (B) and a 5/16-18 locknut (D). Tighten the bolt.
2. Install the cable eyelet (E) to the discharge chute deflector (F). Use a shoulder bolt (G), a nylon washer (C), and tighten with a ¼-20 locknut (H). The cable eyelet will be loose on the shoulder bolt.
3. Attach the spring (L) between the hex nut (M) on the rotator head and the hole on the discharge chute deflector.



5. Attach a locknut (B) on the threaded stud and tighten.
6. Attach the square retainer (I) with a locknut (H).
7. For ST 424/427/430 only: Put the cables through the cable holder (C)

To install the discharge chute lever and the release cable

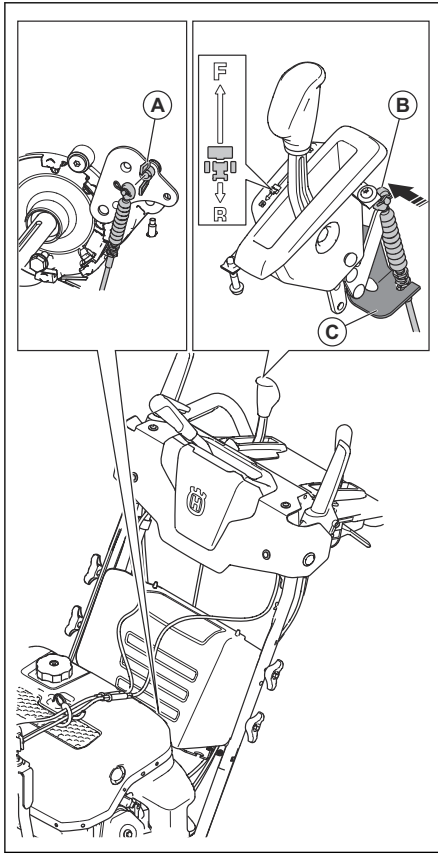
1. Push the knob (D) down on the discharge chute lever. Use a rubber mallet if it is necessary.
2. Attach the release cable to the discharge chute lever at connection (A).



3. Put the release cable in the groove (B) on the discharge chute lever.
4. Install the cable barrel fitting (F) to the release lever (E).
5. Install the release lever (E) to the discharge chute lever and attach it with the roll pin (C).
6. Adjust the release cable. See *To adjust the release cable of the discharge chute on page 23*.
7. Adjust the left and right discharge chute cables. See *To adjust the left and right discharge chute cables on page 24*.

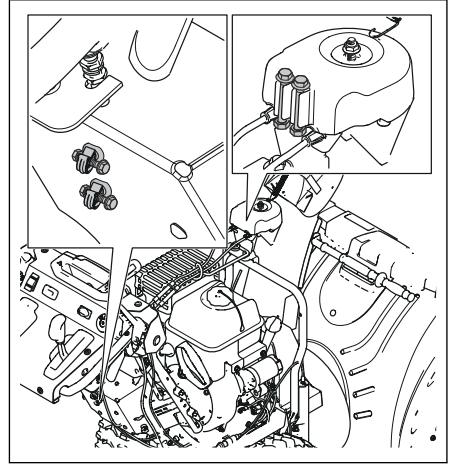
To install the speed control cable

1. Put the drive speed lever in the neutral position.
2. Attach the speed control cable (B) to the drive speed lever with a retaining pin.
3. Attach the speed control cable to the bracket (C) with 2 ½ in wrenches. Make sure that the drive speed lever stays in the neutral position.
4. Remove the screw and wing nut (A) on the bellcrank to let the bellcrank move.



To attach replacement shear pins

- Attach the replacement shear pins on the cover of the remote control or on the battery box.



Operation

Before you start the product

- Keep persons and animals away from the work area.
- Do daily maintenance. See *Maintenance schedule on page 16*.
- Make sure the ignition lead fits correctly on the spark plug.
- Add oil or gasoline, if necessary. See *To fill fuel on page 11*.

To fill the engine with oil



CAUTION: Do not rotate the dipstick when you check the oil. Do not fill above the mark.

1. Remove the oil cap and clean the dipstick. See *Product overview on page 2* for the location of the dipstick.

2. Add oil to the top mark on the dipstick. Use the dipstick to do a check of the oil level at regular intervals.
3. Put the oil cap back.

To fill fuel

If available, use low-emission/alkylate gasoline. If low-emission/alkylate gasoline is not available, use good quality unleaded gasoline or leaded gasoline. Use gasoline with an octane number of 90 RON out of North America (87 AKI in North America) or higher, and with a maximum of 10% ethanol (E10).



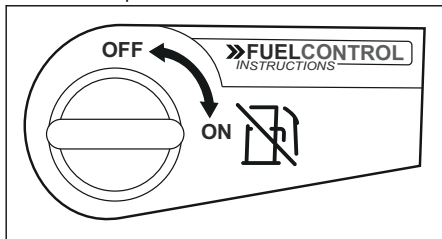
CAUTION: Do not use gasoline with an octane number less than 90 RON out of North America (87 AKI in North America). This can cause damage to the product.

1. Open the fuel tank cap slowly to release the pressure.

2. Fill slowly with a fuel can. If you spill fuel, remove it with a cloth and let remaining fuel dry off.
3. Clean the area around the fuel tank cap.
4. Tighten the fuel tank cap fully. If the fuel tank cap is not tightened, there is a risk of fire.
5. Move the product a minimum of 3 m (10 ft) from the position where you filled the tank, before a start.

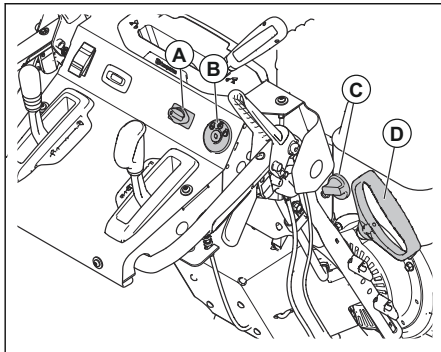
To use the fuel switch (for ST 424/427/430 only)

- Turn the fuel switch to open or close the fuel valve. Operate the product with the fuel switch in the OPEN position.



To start the engine, manual start

1. Put the ON/OFF key into the ignition slot (B). Do not turn the key.



2. For ST 424/427/430 only: Turn the fuel ON/OFF switch (C) to the ON position.
3. Put the throttle control (A) to the FAST position.
4. Turn the ON/OFF key to the ON position.
5. For ST 424/427/430 only: If the temperature is lower than -17°C (0°F), push the primer 3 times. See *Product overview on page 2* for primer position.



CAUTION: Do not push the primer too many times. It can prevent the engine from starting. If the engine is flooded, wait some minutes before you try to start. Do not push the primer.

6. Pull the starter rope handle (D).



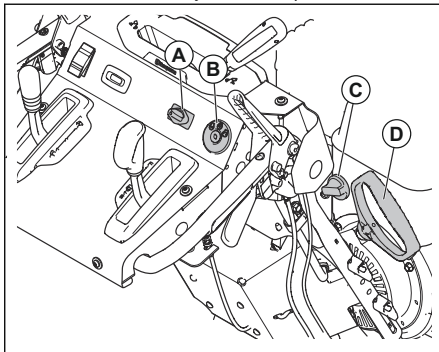
CAUTION: Do not release the starter rope handle quickly. Move it slowly to the start position.

Note: If the starter rope is frozen, slowly pull out as much rope out of the starter as you can. Release the starter rope handle. If the engine does not start, do the procedure again or use the electric starter.

7. Run the engine 2-3 minutes at very low speed before you start to throw snow.
8. If the engine does not run smoothly, turn it off.

To start the engine, electric start

1. Put the ON/OFF key into the ignition slot (B). Do not turn the key.
2. For ST 424/427/430 only: Turn the fuel ON/OFF switch (C) to the ON position.
3. Put the throttle control (A) to the FAST position.
4. Put the ON/OFF key to the ON position.



5. For ST 424/427/430 only: If the temperature is lower than -17°C (0°F), push the primer 3 times. See *Product overview on page 2* for primer position.



CAUTION: Do not push the primer too many times. It can prevent the engine from starting. If the engine is flooded, wait some minutes before you try to start. Do not push the primer.

6. Turn the ON/OFF key to START. When the engine starts, release the key.



CAUTION: Do not run the starter for more than 5 seconds each time you try to start. Wait 5 to 10 seconds between each try.

7. Run the engine 2-3 minutes at very low speed before you start to throw snow.

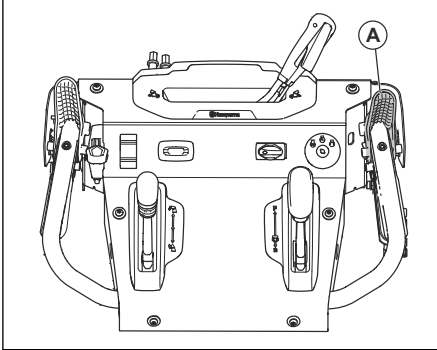
To operate the product



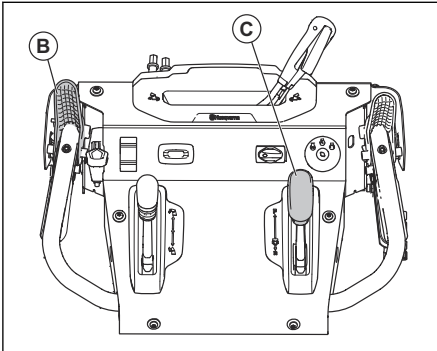
CAUTION: Do not partially engage drive or auger levers for an extended period of time; this can lead to premature wear or burning of the belts.

Note: When both the drive engagement and auger engagement are engaged, the drive engagement will lock the auger engagement in position. Use the right hand to control the snow discharge chute.

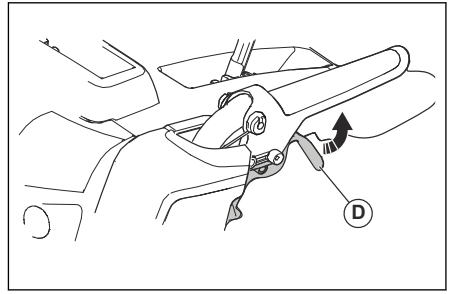
1. To engage the auger blades, push the auger engagement (A) to the handle to engage the auger and throw snow.



2. Raise the drive speed control lever (C) from the middle position to make the product move forward when the drive engagement (B) is engaged.
3. Lower the drive speed control lever from the middle position to make the product move rearward when the drive engagement is engaged.



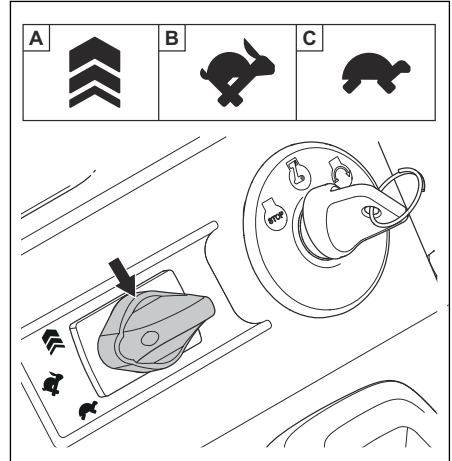
4. To make the product move in the selected direction, hold the drive engagement against the handle.
5. If the product has power steering, hold the left steering trigger (D) to turn left. Hold the right steering trigger to turn right.



Throttle control

Note: If the snow is wet or heavy, use the fast or boost modes.

The throttle control adjusts the engine speed. It has 3 modes: boost, fast and slow.



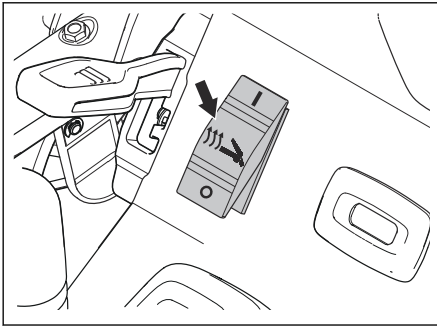
- Boost (A): to increase speed when the product is operated but does not throw snow, or to increase the distance that snow is thrown.
- Fast (B): standard operation
- Slow (C): to decrease the distance that snow is thrown, or to decrease engine noise

To use the throttle control

- Turn the throttle control to change the engine speed.

To use the heated handles

- Push the switch to I to start the heated handles.
- Push the switch to O to stop the heated handles.



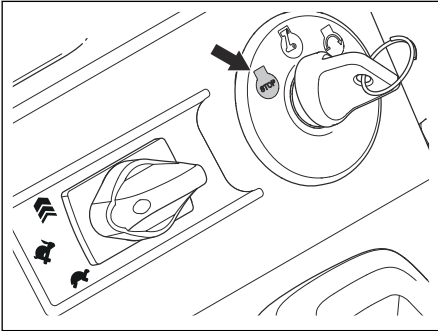
To adjust the skid plates

The skid plates prevent damage to the bottom of the snow thrower. Adjust the skid plates (A) when the locknut (B) is loose, or the skid plate is not at the correct distance from the ground. No adjustment is necessary for standard installation.

- Loosen the locknut (B) with a 13 mm (½ in.) open wrench.
- Move the skid plates (A) up or down.
 - On flat surfaces set the distance between the scraper bar and the ground to 5-6 mm (0.2-0.25 in).
 - On rough surfaces set the skid plates (A) in a position where the scraper bar is above the top of the ground.

To stop the product

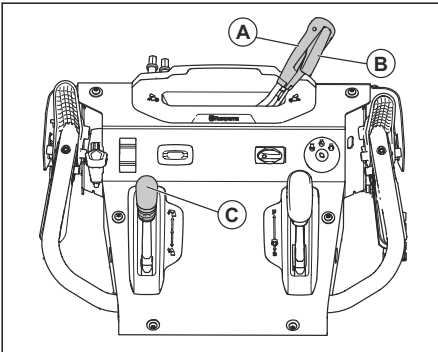
- Turn the key to the STOP position.



- Remove the ON/OFF key.

To adjust the discharge chute and the discharge chute deflector

- Push the release lever (B) on the discharge chute lever (A) and adjust the discharge chute to the left or right position.

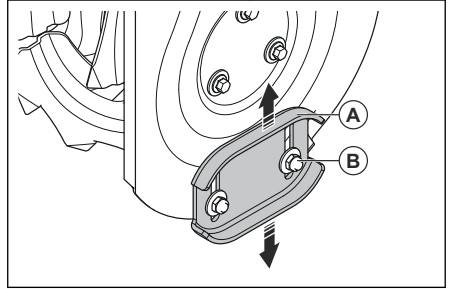


- Move the remote control lever (C) to adjust the snow throwing distance.
 - Move the remote control lever up to decrease the snow throwing distance.
 - Move the remote control lever down to increase the snow throwing distance.



WARNING: Make sure that gravel and stones do not go into the product. Objects that eject at high speed can cause injury.

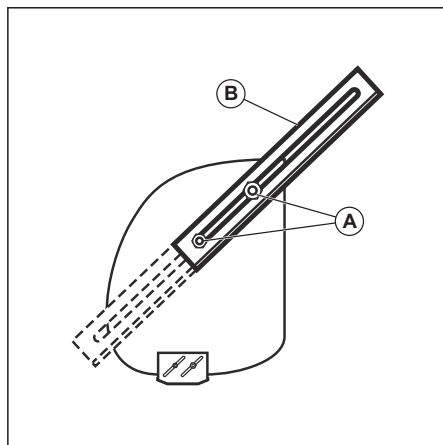
- Tighten the locknut (B).



To use the drift cutters (if equipped)

Use the drift cutters to cut through snowdrifts deeper than the front of the product.

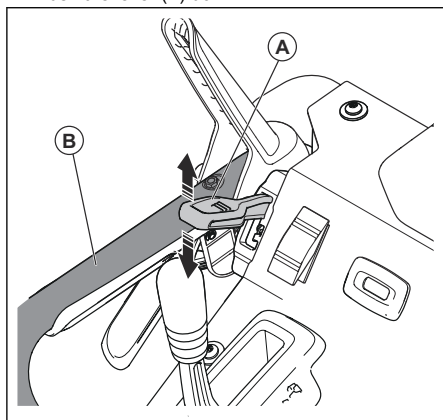
- Loosen the adjustment nuts (A) on both sides of the product to allow each drift cutter (B) to be raised to its highest position.



2. Tighten the nuts.
3. Lower the drift cutters after use.

To adjust the height of the auger bucket (for ST 424T/427T/430T only)

1. Push the lever (A) down.



2. Move the handles (B) up or down to adjust the height of the auger bucket .
3. Release the lever (A) to lock the auger bucket in position.

Note: The auger bucket can be set to an unlocked position. This lets the auger bucket adapt to the

terrain. To set the auger bucket to the unlocked position, push the lever (A) down and to the right.

To prevent freeze-up after use

Note: Controls and moving parts can be blocked by ice. Do not apply much force to the controls. If you cannot operate a control or a part, start the engine and let it operate for some minutes.

1. Start the engine and let it operate for some minutes. Stop the engine and wait for all moving parts to stop.
2. Remove snow and loose ice from the product.
3. Remove snow and loose ice from the base of the discharge chute.
4. Turn the discharge chute deflector to the left direction and to the right direction to remove ice and water.
5. Set the key to the "OFF" position.
6. If the product does not have an electric starter, pull the starter rope handle several times to remove ice and water.

To get a good result

- Always run the engine at full throttle or near full throttle.
- Always adapt the speed of the product to the snow situation and adjust the speed with the drive speed control lever. Make sure that the product throws snow evenly.
- It is easier and more efficient to remove snow immediately after it falls.
- Always throw snow downwind whenever possible.
- On flat surfaces, like asphalt roads, raise the skid plates up to 5-6 mm (0.2-0.25 in) off the ground.
- The scraper bar is reversible. When it becomes worn almost to the edge of the housing, reverse it. Replace the scraper bar if it is damaged, or if both sides are worn.
- Do not dispatch the chute deflector if it is clogged.
- If the product does not move forward due to unforeseen circumstances, release the drive engagement immediately or move the ON/OFF key to the "OFF" position.

Maintenance

Introduction

When the product is in use, bolts can loosen and components can become worn. This can cause

malfunction like incorrect tolerance clearance, increased oil consumption, or misalignment of various components. Do regular maintenance on the product to prevent malfunction.

Maintenance schedule

Maintenance	Daily	At 15 hour intervals	At 20 hour intervals	At 40 hour intervals	At 100 hour intervals
Tighten nuts and screws	X				
Do a check of the engine oil level	X				
Replace the engine oil			X		
Do a check of and adjust the track tension (only ST 424T/427T/430T)		X			
Make sure that there are no fuel or oil leaks	X				
Remove obstacles in the auger	X				
Lubricate the interlock catches ¹			X		
Lubricate the cable attachments ²			X		
Do a check of the tire pressure (only ST 424/427/430) ³				X	
Inspect and replace the spark plug before use at the start of a season and at recommended interval					X

Note: The gearbox does not need maintenance.

after 20 hours of operation. The oil can symbol is then on for 2 hours or until a manual reset is done.

To do a general inspection

- Make sure that the nuts and screws on the product are tightened.

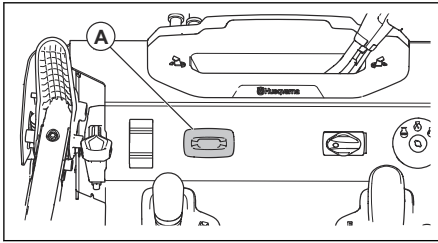
Oil change reminder

The oil change reminder (A) is a function that points out that an oil change is necessary. The oil change reminder lights up the oil can symbol on the display

¹ Also lubricate at the beginning of each season.

² Also lubricate at the beginning of each season.

³ See Technical data for correct tire pressure.



To reset the oil change reminder

1. Turn the ON/OFF key to the ON position, and keep it in the ON position for 1 second.
2. Turn the ON/OFF key to the STOP position, and keep it in the STOP position for 1 second.
3. Do this procedure 4 more times.

To do a check of the oil level



CAUTION: A too low oil level can do damage to the engine. Do a check of the oil level before you start the product.

1. Put the product on level ground.
2. Remove the oil tank cap with the attached dipstick.
3. Clean the oil from the dipstick.
4. Put the dipstick fully into the oil tank to give a correct picture of the oil level.
5. Remove the dipstick.
6. Examine the oil level on the dipstick.
7. If the oil level is low, fill with engine oil and do a check of the oil level again.

To replace the engine oil

1. Run the engine a few minutes to make the oil warm. Warm oil flows better and includes more contaminants.



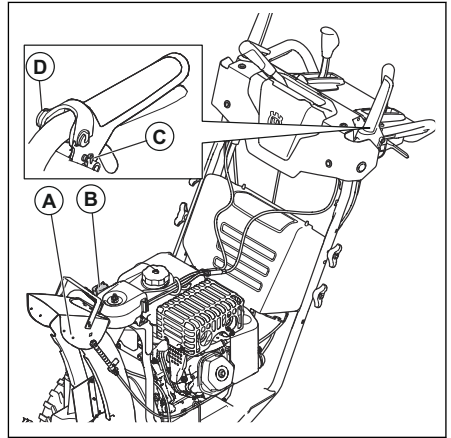
WARNING: The engine oil is hot. Avoid skin contact with the used engine oil.

2. Put the product on level ground.
3. Remove the ON/OFF key.
4. Put a container below the oil drain plug.
5. Remove the oil drain plug, tip the product and drain the used oil in the container.
6. Put the product back to the operating position.
7. Install the oil drain plug and tighten it by hand.
8. Fill the engine with oil, see *To fill the engine with oil on page 11*.

To lubricate the product

- Lubricate the pivot points (A) with oil.
- Lubricate the engine (B) with oil.

- Lubricate the interlock catches (C) with a small quantity of lithium grease.
- Lubricate the cable connections for the drive and auger levers (D) with oil.



Battery

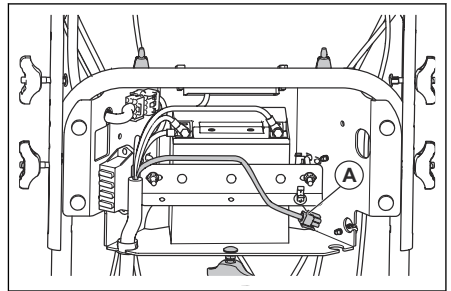
Battery maintenance

Note: The battery on your product is maintenance free. Do not open or remove the caps or the covers.

To charge the battery

Note: Before long term storage, charge the battery with a battery charger to extend the life of the battery.

1. Remove the battery cover. Refer to *To replace the battery on page 18*.
2. Clean the terminals. Refer to *To clean the battery and the terminals on page 18*.
3. Connect the battery charger to the battery charger connector (A).



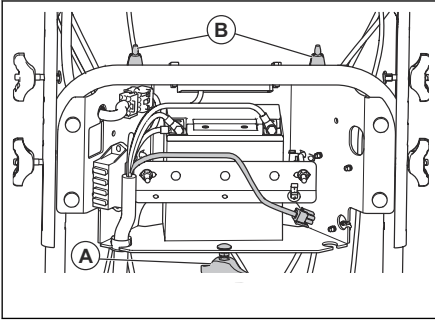
4. When the battery is charged, disconnect the battery charger.
5. Install the battery cover.

To replace the battery



WARNING: Risk of electrical shock. Do not let metal objects touch the 2 battery terminals. This can cause a short circuit of the battery.

1. Loosen the knob (A), then tilt the bottom of the cover in the direction of the engine. Lift the battery cover off the holders (B).



2. Disconnect the BLACK battery cable.



WARNING: The BLACK cable must be disconnected first.

3. Disconnect the RED battery cable.
4. Loosen the nuts and remove the battery strap.
5. Carefully remove the battery from the product.
6. Install a new battery.
7. Connect the RED battery cable and tighten the bolt.



WARNING: Risk of sparks. The RED cable must be connected first.

8. Connect the BLACK cable and tighten the bolt.
9. Install the battery cover.

To clean the battery and the terminals

1. Remove the battery. Refer to *To replace the battery on page 18*.
2. Flush the battery with plain water and let it become dry.
3. Clean the terminals and battery cable ends with a wire brush until they are bright.
4. Lubricate the terminals with grease.
5. Install the battery. See *To replace the battery on page 18*.
6. Install the battery cover.

Muffler

The muffler keeps the noise levels to a minimum and sends the exhaust fumes away from the operator.

Do not use the product if the muffler is missing or defective. A defective muffler increases the noise level and the risk of fire.

Examine the muffler regularly to make sure that it is attached correctly and not damaged.



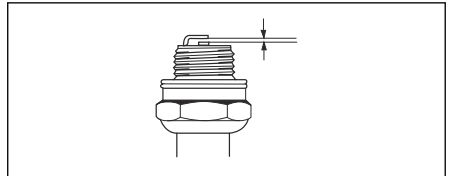
CAUTION: The muffler becomes very hot during and after use and when the engine operates at idle speed. Be careful near flammable materials and/or fumes to prevent fire.

To examine the spark plug



CAUTION: Always use the recommended spark plug type. Incorrect spark plug type can cause damage to the product.

- Examine the spark plug if the engine is low on power, is not easy to start or does not operate correctly at idle speed.
- To decrease the risk of unwanted material on the spark plug electrodes, obey these instructions:
 - a) Make sure that the idle speed is correctly adjusted.
 - b) Make sure that the fuel mixture is correct.
 - c) Make sure that the air filter is clean.
- If the spark plug is dirty, clean it and make sure that the electrode gap is correct, see *Technical data on page 28*.



- Replace the spark plug if it is necessary.

To inspect the augers and the scraper bar

1. Before each use, inspect the augers and the scraper bar for wear.
2. If the edge of the scraper bar is worn, reverse the scraper bar. If the scraper bar has damages or is worn on both edges, replace it.
3. If the edges of the augers are worn, contact an authorized service center to replace them.

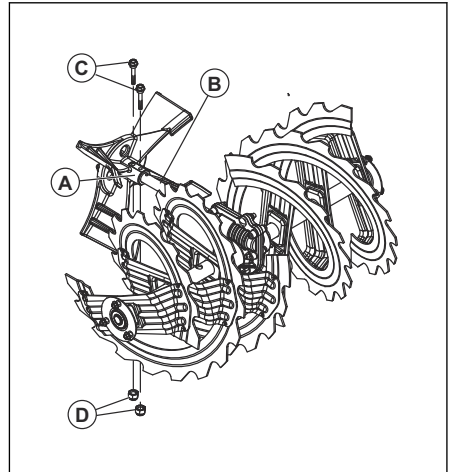
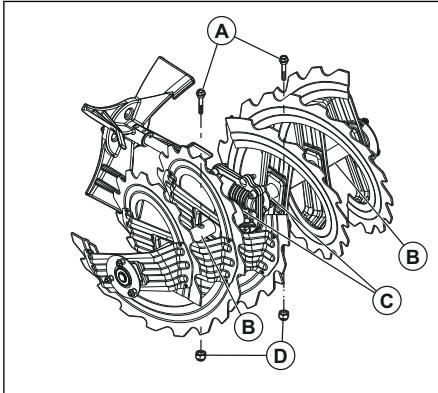
To replace the auger shear pins

The auger shear pins protect the product from damage. The auger shear pins break if an object comes into the moving parts.



CAUTION: Use only original equipment shear pins supplied with the product.

1. If an auger shear pin breaks, stop the engine and wait for the moving parts to stop.
2. Remove the ON/OFF key and disconnect the spark plug cable.
3. Align the hole in the auger hub (B) with the hole in the auger shaft (C) and install a new ¼ - 20 x 2 shear pin (A).
4. Install a ¼-20 locknut (D) on the shear pin and tighten.



5. Put the ON/OFF key in the ignition and connect the spark plug cable to the spark plug.

5. Put the ON/OFF key in the ignition and connect the spark plug cable to the spark plug.

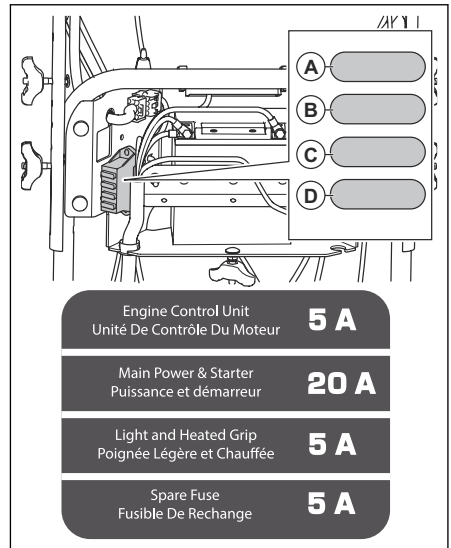
To replace the impeller shear pins

The impeller shear pins protect the product from damage. The impeller shear pins break if an object comes into the moving parts.



CAUTION: Use only original equipment shear pins supplied with the product.

1. If an impeller shear pin breaks, stop the engine and wait for the moving parts to stop.
2. Remove the ON/OFF key and disconnect the spark plug cable.
3. Align the hole in the impeller hub (A) with the holes in the impeller shaft (B) and install a new ¼-20 shear pin (C).
4. Install a ¼-20 locknut (D) on the shear pin and tighten.



- Replace the fuse for engine control unit (A) with a 5 A fuse.
- Replace the fuse for the starter solenoid (B) with a 20 A fuse.
- Replace the fuse for the LED and the heated grip (C) with a 5 A fuse.
- Position (D) contains a backup 5 A fuse.

To examine the tires

- Keep the tires free of fuel, oil and chemicals to prevent damage to the rubber.
- Keep the tires away from stumps, stones, ruts, sharp objects and other objects which can cause damage to the tires.
- Keep the tire pressure correct, see *Technical data on page 28*.

To clear a clogged discharge chute deflector

Do not unclog the discharge chute deflector before the following operations are made.

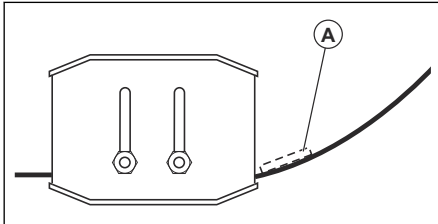
1. Release the auger engagement and the drive engagement at the same time.
2. Wait 10 seconds to make sure that the augers have stopped.
3. Stop the product.
4. Use the tool for cleaning (at least 37 cm (15 in.) long, included in some models) to remove the clog.



WARNING: Do not put your hands into the discharge chute deflector or inside the auger bucket.

To replace the scraper bar

1. Put the scraper bar (A) in a reversed position when it is worn to the edge of the housing.



2. Replace the scraper bar if it is worn on both sides or if it is damaged.

Drive belts



WARNING: The v-belts on your product are of special construction and should be replaced by original equipment manufacturer (OEM) belts available from your nearest service center. To use other belts than OEM can cause personal injury or damage to the product.

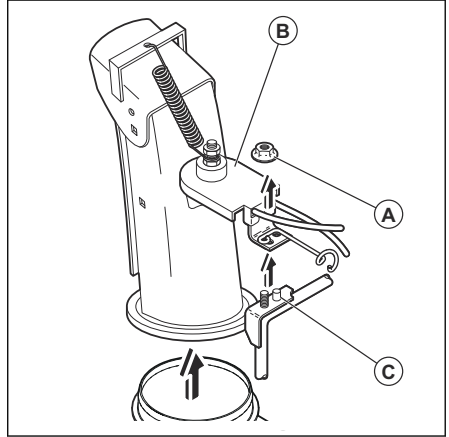


WARNING: The belt replacement requires separation of the product. While separating the auger housing from the frame, it is important that an assistant stands in the operating position and

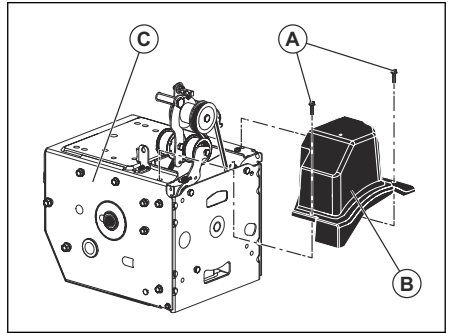
holds the product handles. Serious personal injury and/or damage to the product could occur if the product falls during the belt replacement process.

To prepare for replacement of the belts

1. Remove the fuel from the fuel tank.
2. Loosen the lock nut (A) that secures the chute rotator head (B) to the mounting bracket (C) to remove the discharge chute.

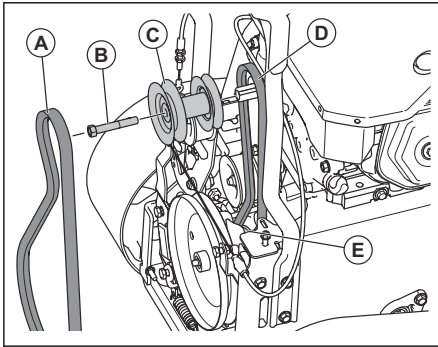


3. Loosen the two screws (A) that secure the belt cover (B) to the frame (C) and remove the belt cover.



To remove the drive belt

1. Remove the auger belt (A). See *To remove the auger belt (for ST 424/427/430 only) on page 21*.
2. Remove the 9/16 in. pulley bolt (B) and remove the engine pulley (C) from the engine.



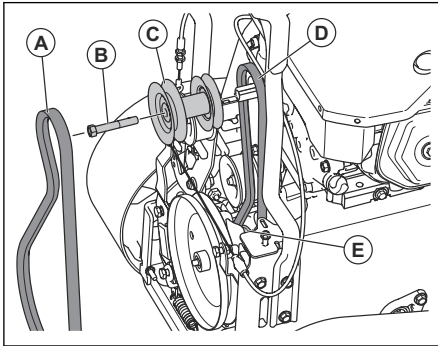
3. Remove the drive belt (D) from the lower pulley (E).

To install the drive belt

1. Put the drive belt onto the lower pulley (E).

Note: Make sure that the drive belt is put in the lower pulley groove properly.

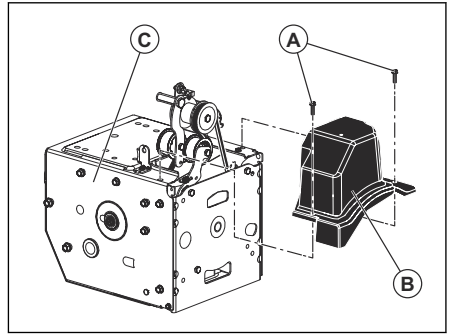
2. Put the drive belt in the groove of the engine pulley (C).



3. Install the 9/16 in. pulley bolt (B) and attach the engine pulley (C) on the engine. Tighten the pulley bolt (41-47 Nm/30-35 Ft. Lbs).
4. Install the auger belt (A). See *To install the auger belt on page 22*.
5. Operate all controls to make sure that the drive belt is installed correctly and that all components move correctly.

To install the belt cover

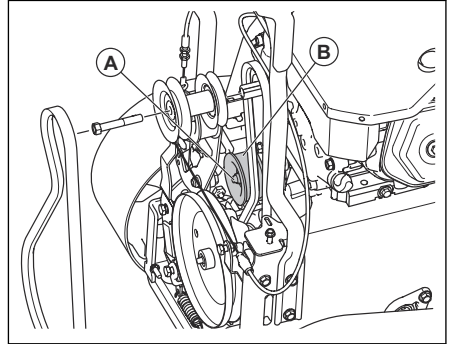
1. Install the belt cover (B) on the frame (C) and tighten the two screws (A).



2. Install the discharge chute.

To adjust the drive belt tension

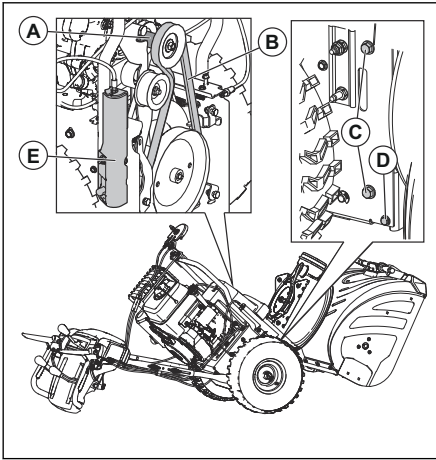
1. Remove the belt cover. See *To prepare for replacement of the belts on page 20*.
2. Loosen the idler pulley nut (A).
3. Move the idler pulley (B) in the direction of the belt to increase the belt tension. Move it away from the belt to decrease the belt tension.



4. Tighten the idler pulley nut (A).
5. Press and then release the drive speed control lever. If the drive belt has tension when the drive speed control lever is released, move the idler pulley away from the drive belt to release the belt tension.
6. Install the belt cover. See *To install the belt cover on page 21*.

To remove the auger belt (for ST 424/427/430 only)

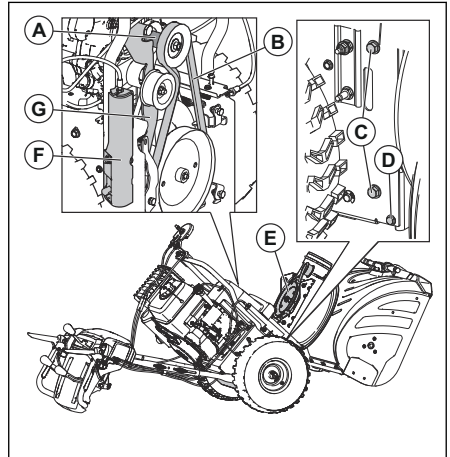
1. Remove the 5/16" nut and the cable cover (E) from the frame.



2. Remove the top 5/16" bolts from the 2 sides of the frame. Do not discard the bolts.
3. Remove the lower 5/16" bolts (C) on the 2 sides of the frame.
4. Remove the auger belt (B) from the engine pulley (A).
5. Use the adjustment lever for the auger bucket to tilt the rear section down. The front section tilts forward at the same time. The bottom bolt is a hinge between the front and rear sections.
6. Put a wooden block below the hinge point to set the product in the tilted position.
7. Move the auger brake arm and remove the auger belt (B) from around the auger brake arm.

To install the auger belt

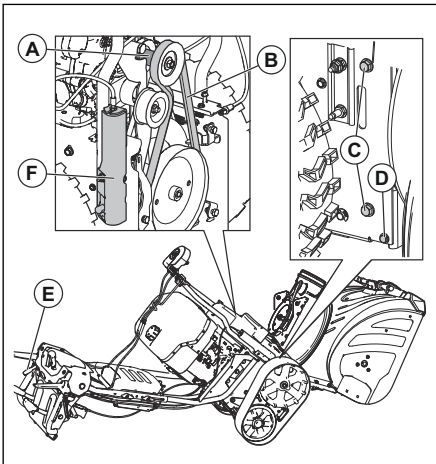
1. Move the auger brake arm (G). Put the auger belt around and in the groove of the auger pulley (E).



2. Remove the top 5/16" bolts and the lower 1/4" bolts (D) from the 2 sides of the frame. Do not discard the bolts.
3. Loosen but do not remove the lower 5/16" bolts (C) on the 2 sides of the frame.
4. Remove the auger belt (B) from the engine pulley (A).
5. Tilt the rear section down. The front section tilts forward at the same time. The bottom bolt is a hinge between the front and rear sections.
6. Put a wooden block below the hinge point to set the product in the tilted position.
7. Move the auger brake arm and remove the auger belt (B) from around the auger brake arm.

To remove the auger belt (for ST 424T/427T/430T only)

1. Remove the 5/16" nut and the cable cover (E) from the frame.



CAUTION: Make sure that the belt is not caught between the frame and auger housing as you put the unit together.

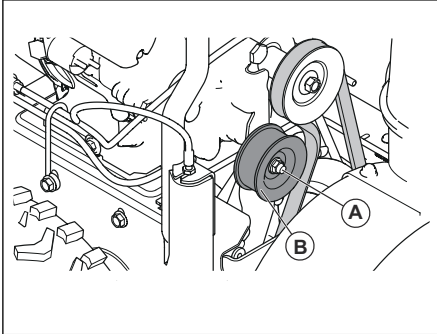
2. Remove the wooden block from below the product.
3. Lift the handles to tilt the rear section up. The front section tilts back and pivots to attach to the rear section.
4. Make sure that the belt is put in the auger pulley (E) groove correctly.
5. Install the 5/16" bolts (C), and tighten (11-16 Nm).
6. For ST 424/427/430 only: Install the 1/4" bolts (D) and tighten (5-8 Nm).
7. Install the auger belt (B) on the engine pulley (A). Make sure that the belt is put correctly around the idler pulley and installed correctly in the engine pulley groove.

8. Install the cable cover (F) and the 5/16" nut on the frame.
9. Operate all controls to make sure that the auger belt is installed correctly and that all components are moving correctly.

To adjust the auger belt tension

Note: An assistant is necessary to do this task.

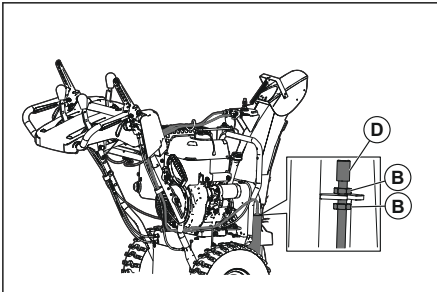
1. Remove the belt cover. See *To prepare for replacement of the belts on page 20.*
2. Loosen the idler pulley nut (A).



3. Move the idler pulley (B) in the direction of the auger belt to increase the belt tension. Move it away from the auger belt to decrease the belt tension.
4. Tighten the idler pulley nut (A).
5. Have the assistant stay 3 m (10 feet) in front of the product to monitor the movement of the auger.
6. Push and then release the auger engagement to start and stop the auger.
7. Measure the time for the auger to stop moving. If the auger stops after more than 5 seconds, release the belt tension.
8. When the auger stops moving after less than 5 seconds, install the belt cover. See *To install the belt cover on page 21.*

To adjust the auger control cable

1. Remove the cable cover on the right hand side of the frame (D).

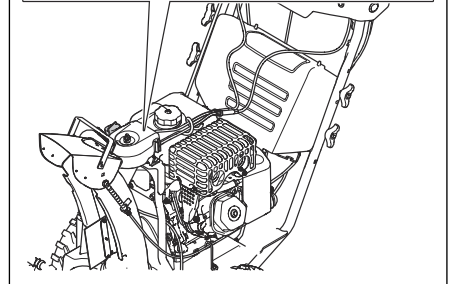
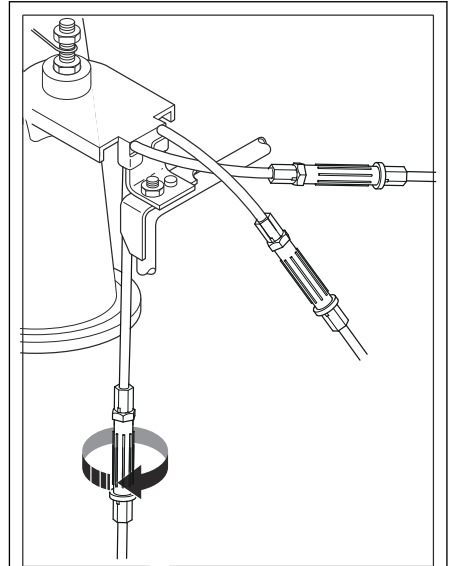


2. To remove slack from the auger control cable, unscrew the bottom jam nut (B) and tighten the top jam nut (B) until the auger belt tension has increased.
3. Retest the auger engagement. Repeat adjustment as needed until only a small amount of slack remains in the cable when the lever is disengaged.
4. Tighten the bottom jam nut to lock in the tension.

Note: You may also tension the auger belt by adjusting the idler pulley as a secondary option. If the adjustment does not resolve the problem, replace the auger belt. See *To install the auger belt on page 22.*

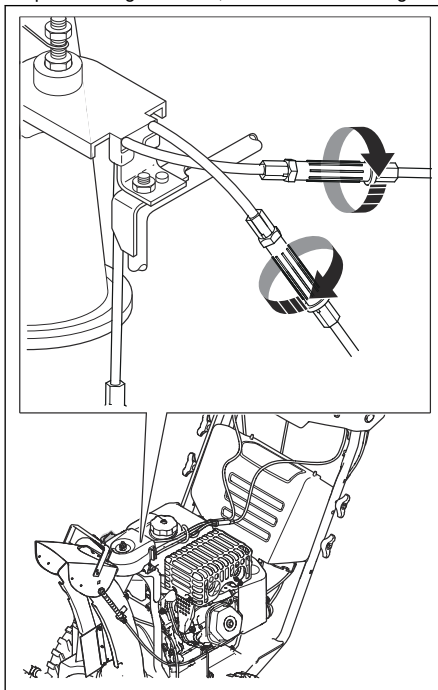
To adjust the release cable of the discharge chute

1. To adjust the release cable, turn the cable adjuster until the release lever of the discharge chute does not move freely.



To adjust the left and right discharge chute cables

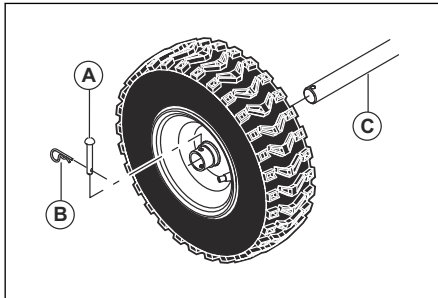
1. Put the discharge chute lever in the center position.
2. Turn the cable adjusters until the discharge chute points straight forward, and the cables are tight.



3. Loosen the cable adjusters $\frac{1}{4}$ turn to make the cables less tight.

To remove the wheels

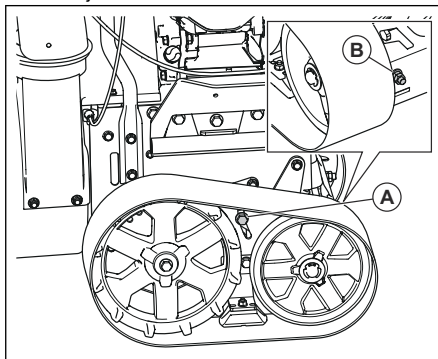
1. Remove the wheel pin (A) and the retainer pin (B).
2. Remove the wheel from the axle (C).



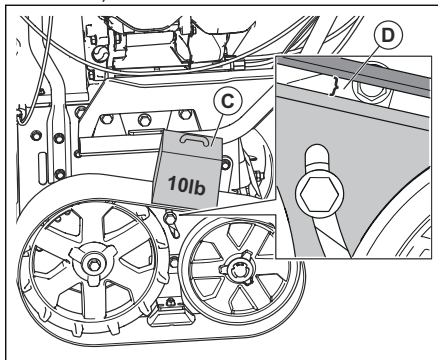
To adjust the tension of the continuous tracks (for ST 424T/427T/430T only)

Note: Tools that are necessary for this task: a 9/16" deep socket, a 9/16" wrench and a 5 kg (10 lbs) weight.

1. Loosen the locking screw (A) 1 turn.
2. Remove the rear locknut (B) to give access to the adjustment nut.



3. Put a 5 kg (10 lbs) weight (C) on top of the continuous track, in the center between the 2 wheels.
4. Turn the adjustment nut (B) until the distance (D) between the continuous track and the steel plate is between 3.175 and 6.350 mm (0.125 and 0.250 in.) wide.



5. Attach the locking screw (A) and then the rear locknut (B).

To clean the product

- Clean plastic parts with a clean and dry cloth.
- Do not use a high pressure washer to clean the product.
- Do not flush water directly on the motor.
- Use a brush to remove leaves, grass and dirt.

Troubleshooting

Problem	Possible cause	Solution
The product does not start	The safety ignition key is not inserted.	Insert the safety ignition key.
	The product is out of fuel.	Fill the fuel tank with fresh, clean gasoline.
	The ON/OFF key is OFF.	Move the ON/OFF key to ON position.
	The engine is not primed.	Prime the engine.
	The engine is flooded.	Wait a few minutes before restarting, DO NOT prime. Restart the engine while full throttle and the choke in OFF (CLOSE) position.
	The spark plug cable is not connected.	Connect the cable to the spark plug.
	The spark plug is bad.	Replace the spark plug.
	There is water in the fuel or the fuel is too old.	Empty the fuel tank and carburetor. Fill the fuel tank with fresh, clean gasoline.
	There is vapor locked in the fuel line.	Make sure that all the fuel line is below the outlet of the fuel tank. The fuel line should run continuously down from fuel tank to carburetor.
	Other causes.	Inspect the starting procedures carefully in this manual.
	The fuel switch (if equipped) is in CLOSE (OFF) position.	Turn the fuel switch to OPEN (ON) position.
	The throttle is in STOP position.	Move the throttle to FAST position.
	The starting battery is not charged.	Charge the starting battery.
	The starting battery needs to be replaced.	Replace the starting battery.
	The engine control unit does not receive power.	Inspect the ECU fuse and wiring.
	The starter solenoid does not engage.	Inspect the starter fuse and wiring.
	The fuel injector does not trigger. (For ST 424T/427T/430T only)	Contact an authorized service center.
The fuel pump does not receive power. (For ST 424T/427T/430T only)	Contact an authorized service center.	

Problem	Possible cause	Solution
Decreased power	The spark plug cable is not connected.	Connect the cable to the spark plug.
	The product throws too much snow.	Decrease the speed and the width of the swath.
	The fuel tank cap is covered with ice or snow.	Remove the ice and the snow on and around the fuel tank cap.
	The muffler is dirty or clogged.	Clean or replace the muffler.
	Improper cable length.	Adjust the cable.
	The muffler is blocked.	Make sure that the engine is cool. Clear the blockage.
	The air intake of the carburetor is blocked.	Make sure that the engine is cool. Clear the blockage.
	The fuel injector does not trigger.	Contact an authorized service center.
The engine idles or runs roughly	The fuel line is blocked.	Clean the fuel line.
	There is water in the fuel or the fuel is too old.	Empty the fuel tank and carburetor. Fill the fuel tank with fresh, clean gasoline.
	The carburetor needs to be replaced.	Contact an authorized service center.
	The fuel injector does not trigger.	Contact an authorized service center.
Excessive vibration / Handle movement	Some parts are loose. The augers are damaged.	Tighten all fasteners. Replace the damaged parts. If vibration remains, contact an authorized service center.
	The handles are not positioned correctly.	Make sure that the handles are locked into position.
	The adjustment lever nuts are loose.	Tighten the nuts until the handle feels safe.
The starter rope handle is hard to pull	The starter rope handle is frozen.	Slowly pull out as much rope out of the starter as possible and release the starter rope handle. If the engine does not start, repeat the procedure or use the electrical starter.
	The starter rope is interfering with components.	The starter rope should not touch any cables or hoses.

Problem	Possible cause	Solution
Loss of traction drive/ slowing of drive speed Loss of snow discharge or slowing of snow discharge	The belt slips.	Adjust the cable. Adjust the belt.
	The belt is worn.	Check / replace the belt. Adjust the pulley.
	The belt is off the pulley.	Check / reinstall the belt. Adjust the pulley.
	The chute deflector is clogged.	Clean the chute deflector.
	Foreign objects clog the augers.	Remove the debris or the foreign object from the augers.
	The shear pin is broken.	Replace the broken shear pin.
	Excessive snow and ice build up in between continuous track components.	Remove snow and ice build up from in between continuous track components.
The lights are not on (if so equipped)	The engine is not running.	Start the engine.
	The cable connection is loose.	Do a check of the cable connections at the engine and the lights.
	The LED is burnt out.	Replace the LED light module. Individual LEDs can not be replaced.
	The fuse is blown.	Replace the fuse. Make sure that there is no short circuit.
The chute rotator is difficult to move	There is debris in the chute rotator mechanism.	Clean the internal parts of the chute rotator mechanism.
	The cables are kinked or damaged.	Make sure that the cables are not kinked. Replace the cables that are damaged.
	The release cable needs adjustment.	Adjust the release cable.
The product turns to one side	The tire pressure is not equal.	Adjust the tire pressure and fill the tire.
	The product drives with only one wheel.	Inspect the tire lock pin.
	Uneven sled adjustment.	Adjust the skid plates and the sledge.
	Uneven skid plates adjustment.	Adjust the skid plates and the sledge.

Transportation, storage and disposal

Transportation and storage

- For storage and transportation of the product and fuel, make sure that there are no leaks or fumes. Sparks or open flames, for example from electrical devices or boilers, can start a fire.
- Always use approved containers for storage and transportation of fuel.
- Empty the fuel tank before you put the product in storage for a long period of time. Discard the fuel at an applicable disposal location
- Safely attach the product during transportation to prevent damage and accidents.
- Keep the product in a locked area to prevent access for children or persons that are not approved.
- Keep the product in a dry and frost free area.
- Charge the battery during long-term storage. Examine and clean the battery terminals before long-term storage.

Disposal

- Obey the local recycling requirements and applicable regulations.
- Discard all chemicals, such as engine oil or antifreeze, at a service center or at an applicable disposal location.
- When the product is no longer in use, send it to a Husqvarna dealer or discard it at a recycling location.
- Discard the battery at a service center or discard it at a disposal location for used batteries.

Technical data

Technical data

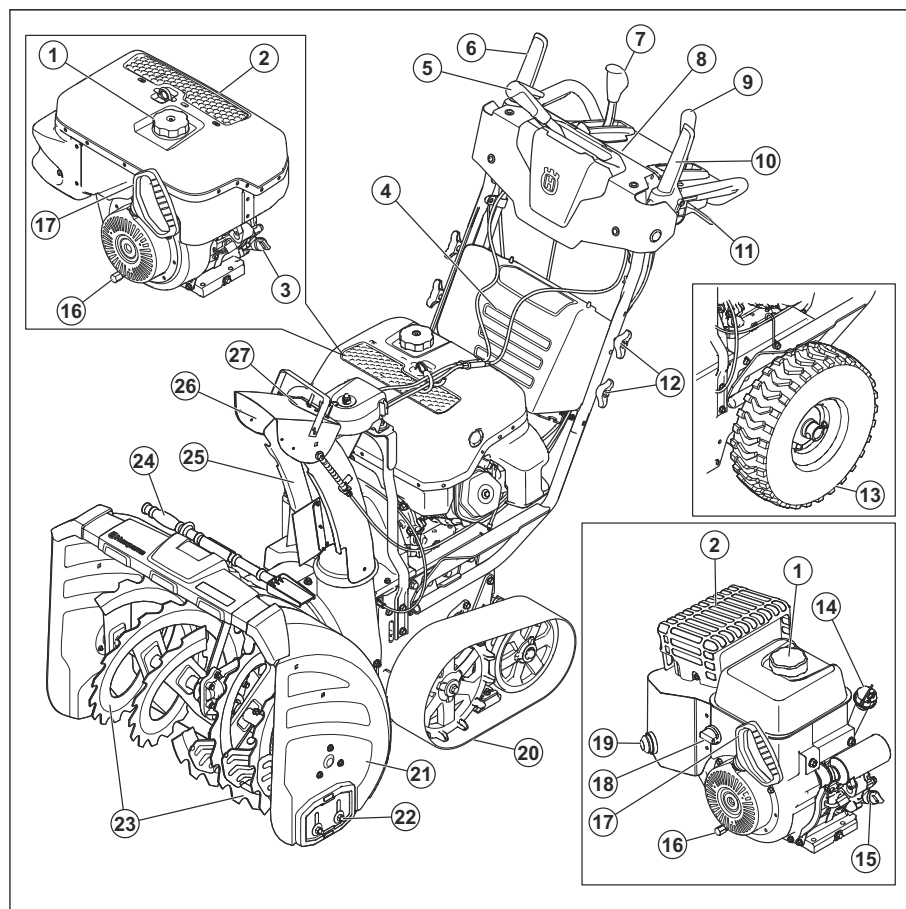
	ST 424	ST 427	ST 430	ST 424T	ST 427T	ST 430T
Dimensions						
Weight, with empty tanks, kg	140	145	150	160	165	170
Max. operating tire pressure, PSI	18	18	20	N/A	N/A	N/A
Engine						
Brand	Husqvarna	Husqvarna	Husqvarna	Husqvarna	Husqvarna	Husqvarna
Displacement, cc	291	369	414	306	369	420
Fuel type	Unleaded regular (maximum 10% ethanol)					
Fuel capacity, gal / l	0.62 / 2.35	0.62 / 2.35	0.62 / 2.35	0.95 / 3.60	0.95 / 3.60	0.95 / 3.60
Oil type (API SJ-SN)	SAE 5W30 (below 0°C (32°F))					
Oil capacity fl. oz. / l	32 / 0.95	38 / 1.12	38 / 1.12	32 / 0.95	38 / 1.12	38 / 1.12
Electrical system						
Spark plug	F6RTC					
Spark plug electrode gap (in. / mm)	0.027 / 0.686					

Contenido

Introducción.....	29	Mantenimiento.....	44
Seguridad.....	31	Solución de problemas.....	55
Montaje.....	35	Transporte, almacenamiento y eliminación de residuos.....	57
Funcionamiento.....	39	Datos técnicos.....	58

Introducción

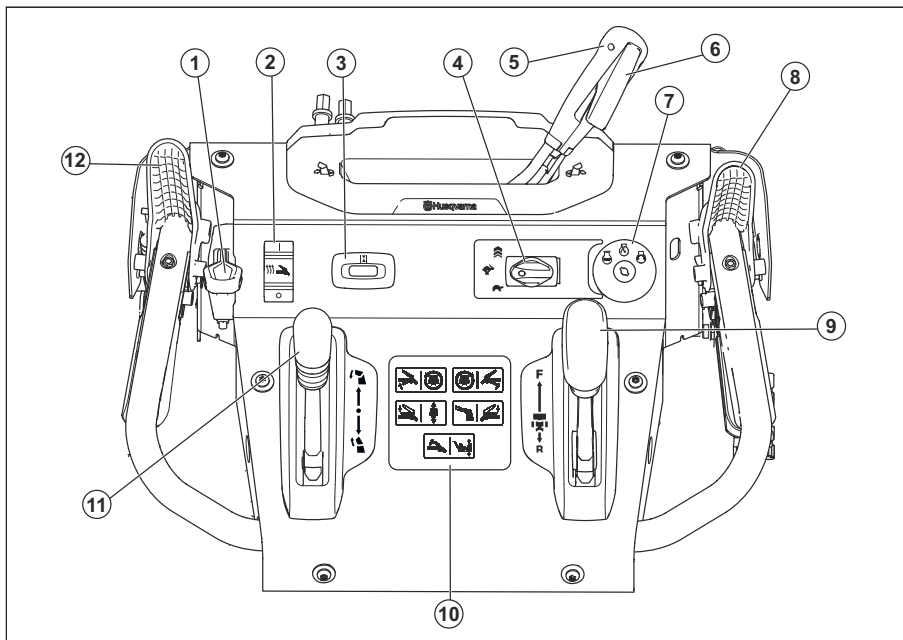
Descripción general de la máquina



1. Tapa del depósito de combustible
2. Silenciador
3. Llenado de aceite/varilla de nivel (solo para ST 424T/427T/430T)
4. Cubierta de la batería
5. Palanca del conducto de expulsión
6. Acoplamiento del barreno
7. Palanca de régimen de velocidad
8. Panel de control
9. Palanca de control remoto

10. Acoplamiento de la transmisión
11. Gatillos de dirección
12. Perillas de la empuñadura
13. Rueda (solo para ST 424/427/430)
14. Varilla de nivel (solo para ST 424/427/430)
15. Llenado de aceite (solo para ST 424/427/430)
16. Drenaje de aceite
17. Empuñadura de la cuerda de arranque
18. Interruptor de encendido/apagado (ON/OFF) de combustible (solo para ST 424/427/430)
19. Cebador (solo para ST 424/427/430)
20. Banda continua (solo para ST 424T/427T/430T)
21. Tolva sinfín
22. Plancha protectora
23. Barrenos
24. Herramienta de limpieza
25. Conducto de expulsión
26. Deflector del conducto de expulsión
27. Luz LED

Descripción general de la máquina



1. Palanca de ajuste de la tolva sinfín
2. Interruptor de encendido/apagado (ON/OFF) de las manillas térmicas
3. Contador horario y recordatorio de cambio de aceite
4. Acelerador
5. Palanca del conducto de expulsión
6. Palanca de liberación
7. Ranura de encendido
8. Acoplamiento del barreno
9. Palanca de régimen de velocidad
10. Etiqueta de símbolos
11. Palanca de control remoto del deflector del conducto de expulsión
12. Acoplamiento de la transmisión

Descripción de la máquina

El producto es una quitanieve utilizada para retirar la nieve del suelo.

Uso específico

Este producto puede utilizarse para retirar la nieve de campos, caminos, senderos y accesos. No lo utilice en pendientes superiores a 20°. No utilice el producto en áreas con muchos residuos, suciedad y piedras protuberantes.

Símbolos en el producto

Tenga en cuenta: Si las etiquetas del producto están dañadas, comuníquese con el distribuidor para sustituirlas.



¡Advertencia!



Lea el manual de instrucciones.



Encendido.



Arranque el motor.



Motor apagado.



Impulso.



Rápido.



Lento.



Recordatorio de cambio de aceite.



Mangos térmicos.



Retire la llave antes del mantenimiento.



Superficie caliente.



Riesgo de incendio.



Tenga cuidado con los objetos expulsados.



Manténgase alejado de los transeúntes.



No inhale los gases de escape.



Muévase lentamente hacia atrás.



Riesgo de caídas.



Gire a la izquierda.



Gire a la derecha.



Expulse la nieve.



Cambie la altura de la tolva sinfin.

Responsabilidad del fabricante

Como se menciona en las leyes de responsabilidad del fabricante, no nos hacemos responsables de los daños que cause nuestro producto si:

- el producto se repara incorrectamente
- el producto se repara con piezas que no son del fabricante o que este no autoriza
- el producto tiene un accesorio que no es del fabricante o que este no autoriza
- el producto no se repara en un centro de servicio autorizado o por una autoridad aprobada.

Seguridad

Definiciones de seguridad

Las siguientes definiciones proporcionan el nivel de gravedad de cada palabra clave.



ADVERTENCIA: Lesiones a personas.



AVISO: Daños en el producto.

Tenga en cuenta: Esta información hace que el producto sea más fácil de usar.

Instrucciones generales de seguridad

- Utilice el producto correctamente. Las lesiones graves o fatales son un posible resultado de un uso incorrecto. Solo utilice el producto para las tareas que aparecen en este manual. No utilice el producto para otras tareas.
- Obedezca las instrucciones contenidas en este manual. Obedezca los símbolos y las instrucciones de seguridad. Si el usuario no obedece las instrucciones y los símbolos, es posible que se produzcan daños y lesiones tanto graves como fatales.
- No deseche este manual. Utilice las instrucciones para montar, operar y mantener el producto en buen estado. Utilice las instrucciones para la correcta instalación de piezas y accesorios. Utilice solamente piezas y accesorios homologados.
- No use un producto dañado. Cumpla con el programa de mantenimiento. Realice solamente las tareas de mantenimiento en las que se detallan instrucciones en este manual. Un centro de servicio autorizado debe realizar todos los demás trabajos de mantenimiento.
- En este manual no se pueden abarcar todas las situaciones que pueden ocurrir cuando se utiliza el producto. Tenga cuidado y use el sentido común. No haga funcionar el producto ni realice mantenimientos si no está seguro acerca de la situación. Hable con un experto en el producto, su distribuidor, el agente de servicio o un centro de servicio autorizado para obtener más información.
- Desconecte el cable de la bujía antes de montar o almacenar el producto, o realizar tareas de mantenimiento.
- No utilice el producto si cambia su especificación inicial. No cambie una parte del producto sin la aprobación del fabricante. Utilice solamente las piezas que están aprobadas por el fabricante. Las lesiones graves o fatales son un posible resultado de un mantenimiento incorrecto.
- No respire los humos del motor. La inhalación prolongada de los gases de escape es un riesgo para la salud.
- No encienda el producto en interiores o cerca de materiales inflamables. Los gases de escape están muy calientes y pueden crear incendios debido a la creación de chispas. Un flujo de aire insuficiente puede causar lesiones graves o fatales por asfixia o debido al monóxido de carbono.
- Cuando utilice este producto, el motor crea un campo electromagnético. El campo electromagnético puede causar daños a implantes médicos. Hable con su médico y fabricante del implante antes de utilizar el producto.

- No deje que un niño utilice el producto. No permita que una persona que no conozca las instrucciones utilice el producto.
- Asegúrese de supervisar siempre a una persona con capacidades físicas o mentales limitadas que utilice el producto. Debe haber un adulto responsable en todo momento.
- Mantenga el producto en un área a la cual los niños y las personas no autorizadas no puedan acceder.
- El producto puede expulsar objetos y causar lesiones. Siga las instrucciones de seguridad para reducir el riesgo de lesiones graves o fatales.
- No se aleje del producto cuando el motor esté en marcha.
- El operador del producto es responsable en caso de un accidente.
- Antes de caminar hacia atrás y mientras lo hace, mire hacia atrás y hacia abajo para cerciorarse de que no haya niños pequeños, animales u otros riesgos que puedan provocar caídas.
- Asegúrese de que las piezas no estén dañadas antes de utilizar el producto.
- Asegúrese de estar al menos 15 m (50 pies) de distancia de otras personas o animales antes de utilizar el producto. Asegúrese de que una persona en el área adyacente sepa que utilizará el producto.
- Consulte las leyes locales o nacionales. Estas pueden evitar o disminuir el funcionamiento del producto en algunas condiciones.

Instrucciones de seguridad para el funcionamiento

- No ponga las manos ni los pies cerca o debajo de las piezas giratorias. Manténgase alejado de la abertura de descarga en todo momento.
- Tenga extremo cuidado cuando trabaje en caminos, pasos o accesos de grava o pase por ellos. Manténgase alerta para detectar riesgos ocultos o tránsito.
- Después de golpear un objeto extraño, detenga el motor, desconecte el cable de la bujía o desconecte el hilo en los motores eléctricos. Inspeccione atentamente la máquina para detectar daños y repárelos antes de volver a encender y ocupar el producto.
- Si el equipo comienza a vibrar de manera anormal, detenga el motor y revise de inmediato para encontrar la causa. La vibración es generalmente una advertencia de problemas.
- Detenga el motor siempre que abandone la posición de operación, antes de destapar la carcasa del barreno o el deflector del conducto y también cuando realice reparaciones, ajustes o inspecciones.
- Cuando realice la limpieza, reparación o inspección del producto, detenga el motor y asegúrese de que los barrenos y todas las piezas móviles se detuvieron. Desconecte el

cable de la bujía y manténgalo lejos de la bujía para evitar que alguien arranque el motor accidentalmente.

- No haga funcionar el motor en interiores, excepto cuando arranque el motor y para el transporte del producto dentro o fuera del edificio. Abra las puertas externas; los gases de escape son peligrosos.
- Ponga extrema atención cuando trabaje en pendientes.
- Nunca haga funcionar el producto sin las debidas protecciones ni los dispositivos protectores de seguridad en su lugar y en funcionamiento.
- Nunca dirija el deflector del conducto hacia las personas o hacia zonas donde puedan ocurrir daños a la propiedad. Mantenga alejados a los niños y a otras personas.
- No sobrecargue la capacidad del producto intentando retirar nieve a una velocidad demasiado rápida.
- Nunca haga funcionar el producto a una alta velocidad de transporte en superficies resbaladizas. Mire hacia atrás y tenga cuidado cuando retroceda.
- Desconecte la alimentación de los barrenos para transportar el producto o cuando no esté en uso.
- Utilice solamente los implementos y accesorios homologados por el fabricante del producto, por ejemplo, los pesos de las ruedas, contrapesos o cabinas.
- Nunca haga funcionar el producto sin buena visibilidad o luz. Preste atención mientras camina y mantenga firmes las empuñaduras. Camine, nunca corra.
- Nunca toque un motor o silenciador calientes.

Seguridad en el área de trabajo

- Inspeccione atentamente el área donde se va a utilizar el equipo y retire todos los tapetes, trineos, tablas, cables y otros objetos extraños.
- Desacople todos los embragues y ponga el cambio en neutro antes de arrancar el motor.
- No maneje el producto sin usar la indumentaria de invierno adecuada. Evite usar ropa floja que pueda quedar atrapada en las piezas móviles. Utilice calzado que mejore la postura en superficies resbaladizas.
- Manipule el combustible con cuidado; es altamente inflamable.
 - Use un recipiente de combustible aprobado.
 - Nunca agregue combustible a un motor en marcha o caliente.
 - Llene el depósito de combustible en el exterior, con máximo cuidado. Nunca llene el depósito de combustible en interiores
 - Nunca llene los recipientes de combustible dentro de un vehículo, en un camión o sobre la plataforma de un remolque con revestimiento plástico. Siempre coloque los

recipientes en el suelo, alejados del vehículo, antes de rellenar.

- Cuando sea posible, retire el equipo a gasolina del camión o tráiler y reabastézcalo en el suelo. Si no es posible, entonces reabastezca el equipo en un tráiler con un recipiente portátil, en lugar de hacerlo directamente con la boquilla del dispensador de gasolina.
- Mantenga la boquilla en contacto con el borde del depósito o recipiente de combustible abriéndolo siempre hasta que el abastecimiento de combustible esté completo. No use un dispositivo que mantenga abierto el seguro de la boquilla.
- Vuelva a colocar la tapa de la gasolina con seguridad y limpie todo el combustible que se haya derramado.
- Si el combustible se derrama sobre la ropa, cámbiesela de inmediato.
- Utilice los cables de extensión y receptáculos especificados por el fabricante para todas las unidades con motores de transmisión eléctrica o de arranque eléctrico.
- Ajuste la altura de la carcasa del barrenos para limpiar superficies rocosas o de grava.
- Nunca intente realizar ajustes con el motor en marcha, excepto si el fabricante lo recomienda específicamente.
- Siempre utilice gafas protectoras o protectores oculares durante el funcionamiento o cuando realice ajustes o reparaciones a fin de proteger los ojos de objetos extraños que puedan ser eyectados de la máquina.

Equipo de protección personal

Utilice siempre el equipo de protección personal adecuado cuando use el producto. Esto incluye, como mínimo, calzado resistente, protección ocular y protectores auriculares. El equipo de protección personal no elimina el riesgo de lesiones, pero puede disminuir el grado de las lesiones en caso de accidente.

- Siempre use gafas de seguridad o protección ocular cuando opere el producto o realice tareas de mantenimiento o reparación.
- Utilice siempre indumentaria de invierno adecuada cuando opere el producto.
- Utilice siempre botas antideslizantes de servicio pesado con buen soporte de tobillo durante el funcionamiento del producto.
- No utilice ropa floja que pueda quedar atrapada en las piezas móviles.
- Utilice guantes protectores homologados, si es necesario. Por ejemplo, al instalar, examinar o limpiar la cuchilla.
- Use siempre protectores auriculares autorizados cuando utilice el producto. Escuchar ruidos durante un largo período puede provocar pérdida de audición inducida por el ruido.

Dispositivos de seguridad en el producto

- Asegúrese de realizar el mantenimiento del producto frecuentemente.

- Esto aumenta la vida útil del producto.
- Disminuye el riesgo de accidentes.

Permita que un concesionario autorizado o un centro de servicio autorizado examinen frecuentemente el producto para realizar ajustes o reparaciones.

- No use un producto con equipo de protección dañado. Si el producto está dañado, comuníquese con un centro de servicio autorizado.

Silenciador

El silenciador mantiene los niveles de ruido al mínimo y envía los gases de escape lejos del operador.

No utilice el producto si el silenciador no está instalado o está defectuoso. Un silenciador defectuoso aumenta el nivel de ruido y el riesgo de incendio.

Examine el silenciador con regularidad para asegurarse de que está instalado correctamente y que no esté dañado.



AVISO: El silenciador se calienta mucho durante y después del uso y cuando el motor funciona en régimen de ralentí. Tenga cuidado cerca de materiales o vapores inflamables para prevenir incendios.


Seguridad de combustible



ADVERTENCIA: Lea atentamente las instrucciones de advertencia siguientes antes de usar el producto.

- No arranque el producto si hay combustible o aceite de motor en el producto. Quite el combustible o aceite no deseado y deje secar el producto.
- Si derrama combustible en su ropa, cámbiese la ropa inmediatamente.
- No permita que le caiga combustible en el cuerpo, ya que puede causar lesiones. Si le cae combustible en el cuerpo, utilice jabón y agua para quitarlo.
- No arranque el producto si el motor tiene una fuga. Examine frecuentemente el motor en busca de fugas.
- Tenga cuidado con el combustible. El combustible es inflamable y los gases son explosivos y pueden causar lesiones graves o fatales.
- No respire los gases del combustible, ya que pueden causar lesiones. Asegúrese de que haya suficiente flujo de aire.
- No fume cerca del combustible o del motor.
- No coloque objetos calientes cerca del combustible o del motor.
- No agregue combustible cuando el motor esté en marcha.
- Asegúrese de que el motor se enfríe antes de llenar el depósito de combustible.
- Antes de llenar el depósito de combustible, abra lentamente la tapa del depósito de combustible y libere la presión con cuidado.
- No agregue combustible al motor en un área interior. Un flujo de aire insuficiente puede causar lesiones graves o fatales por asfixia o debido al monóxido de carbono.
- Apriete bien la tapa del depósito de combustible. Si no aprieta la tapa del depósito de combustible, se genera un riesgo de incendio.
- Mueva el producto a un mínimo de 3 m (10 pies) de la posición en la que se llenó el depósito antes de empezar a usarlo.
- No ponga demasiado combustible en el depósito de combustible.

Propuesta 65

 **¡ADVERTENCIA!**

Los gases de escape del motor de este producto contienen sustancias químicas conocidas en el Estado de California como causantes de cáncer, defectos congénitos y otros daños reproductivos.

Seguridad de la batería



ADVERTENCIA: Una batería dañada puede provocar una explosión y causar lesiones. Si la batería tiene una

deformación o está dañada, hable con un taller de servicio Husqvarna autorizado.



ADVERTENCIA: Lea atentamente las instrucciones de advertencia siguientes antes de usar el producto.

- Utilice gafas protectoras cuando esté cerca de las baterías.
- No use relojes, joyas u otros objetos metálicos cerca de la batería.
- Almacene la batería fuera del alcance de los niños.
- Cargue la batería en un espacio con buena ventilación.
- Mantenga los materiales inflamables a una distancia mínima de 1 m cuando cargue la batería.
- Deseche las baterías que ha reemplazado. Consulte *Eliminación en la página 58*.
- La batería puede generar gases explosivos. No fume cerca de la batería. Mantenga la batería lejos de llamas abiertas y chispas.

Propuesta 65

 **¡ADVERTENCIA!**

Este producto contiene o emite productos químicos que pueden causar cáncer, defectos congénitos u otros daños en el sistema reproductor.

Propuesta 65

 **¡ADVERTENCIA!**

Los postes de batería, terminales y accesorios relacionados contienen plomo y compuestos de plomo, químicos que según el Estado de California provocan cáncer y malformaciones congénitas u otros daños reproductivos. Lávese las manos luego de su uso.

Instrucciones de seguridad para el mantenimiento



ADVERTENCIA: Lea atentamente las instrucciones de advertencia siguientes antes de usar el producto.

- Los gases de escape del motor contienen monóxido de carbono, un gas inodoro, tóxico y muy peligroso. No arranque el motor en interiores o en espacios cerrados.
- Antes de realizar el mantenimiento del producto, detenga el motor y quite el cable de encendido de la bujía.
- Utilice guantes protectores cuando realice las tareas de mantenimiento en las cuchillas. Las cuchillas son muy afiladas y pueden producir cortes con facilidad.
- Accesorios y modificaciones en el producto que no estén aprobados por el fabricante pueden causar lesiones graves o la muerte. No modifique el producto. Siempre utilice accesorios aprobados por el fabricante.
- Si el mantenimiento no se realiza de manera correcta y regular, aumenta el riesgo de sufrir lesiones y causar daños en el producto.
- Solo realice tareas de mantenimiento como se indica en el presente manual del usuario. Todas las demás tareas de mantenimiento se deben realizar en un taller de servicio aprobado.
- Procure realizar las tareas de mantenimiento con regularidad en un taller de servicio aprobado.
- Cambie las piezas dañadas, desgastadas o rotas.

Montaje

Para extraer el producto de la caja de cartón

1. Retire las piezas sueltas que se incluyen con el producto. Recorte las cuatro esquinas de la caja y coloque los paneles del extremo en una superficie plana.
2. Extraiga los dos tornillos que sujetan la carcasa del barreno al palé. Extraiga los soportes de acero de las planchas protectoras, si tienen.
3. Corte las bridas para cable que sujetan el producto al palé y sáquelas.
4. Retire todos los materiales de embalaje.

5. Retire el producto de la caja y asegúrese de que no queden piezas sueltas en la caja.

Piezas sueltas



Llave multiuso (1)



Conducto de expulsión (1)



Palanca de liberación (1)



Palanca del conducto de expulsión



Llave(s) de encendido/apagado (ON/OFF)



Tornillo de 5/16-18 x 2 1/4" (2)



Perillas de la empuñadura (2)



Contratuercas de 3/8 (1)



Contratuercas de 3/18-16 (1)



(ST 424/427/430) Portacables (1)



Pasadores fusibles de 1/4-20 x 1,81 (6)



Contratuercas de 1/4-20 (6)



Contratuercas de 5/16-18 (1)



Contratuercas de 1/4-20 (1)



Arandela de nailon (1)



Tornillo de 5/16-18 x 5/8 (1)



Pasador (1)



Muelle (1)



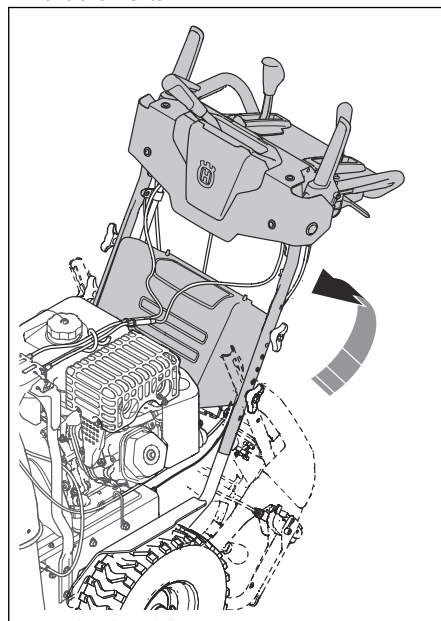
Perno de tope de 1/4-20 (1)

Herramientas necesarias

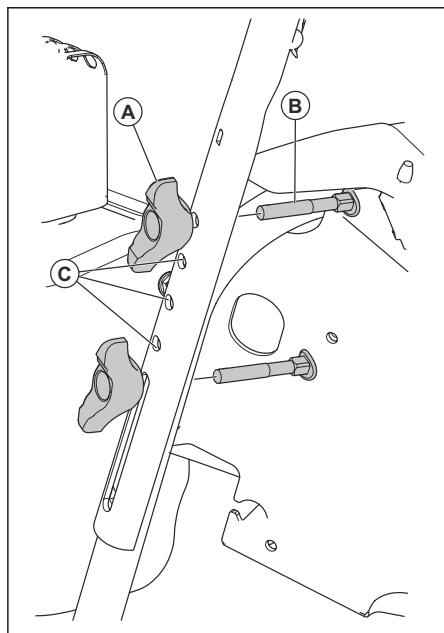
- Llave de 3/8" (1)
- Llave de 7/16" (1)
- Llave de 1/2" (1)
- Enchufe de profundidad de 9/16" (1)

Para instalar la empuñadura

1. Levante la empuñadura superior a la posición de funcionamiento.



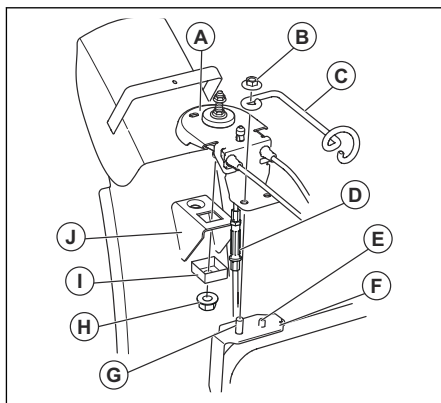
2. Ajuste la posición de la empuñadura a uno de los orificios (C).



3. Pase el perno (B) a través del agujero (C).
4. Fije la perilla (A) en el perno y apriétela.
5. Fije más pernos (B) y perillas de la empuñadura (C) para conectar la empuñadura superior (A) a la empuñadura inferior (E).

Instalación del conducto de expulsión

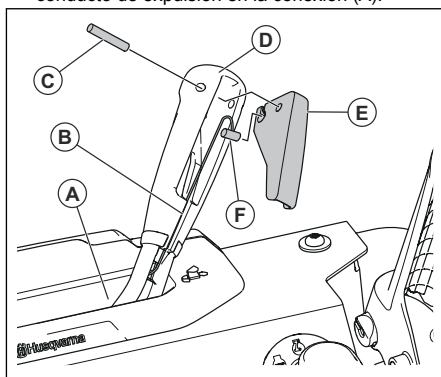
1. Coloque el conjunto de deflector del conducto de expulsión en la parte superior del conducto de expulsión. La compuerta de expulsión debe apuntar hacia la parte delantera del producto.
2. Coloque el cabezal del rotador (A) en el soporte del conducto de expulsión (J).
3. Alinee los pasadores por debajo del cabezal del rotador con los orificios en el soporte del conducto de expulsión.
4. Coloque el cabezal del rotador en el pasador (E) y el espárrago roscado (G) en el soporte (E).



5. Fije una contratuerca (B) en el espárrago roscado y apriétela.
6. Fije el retenedor cuadrado (I) con una contratuerca (H).
7. Solo para ST 424/427/430 : Pase los cables por el soporte del portacables (C).

Instalación de la palanca del conducto de expulsión y el cable de liberación

1. Empuje la perilla (D) hacia abajo en la palanca del conducto de expulsión. Utilice un mazo de goma si es necesario.
2. Fije el cable de liberación a la palanca del conducto de expulsión en la conexión (A).

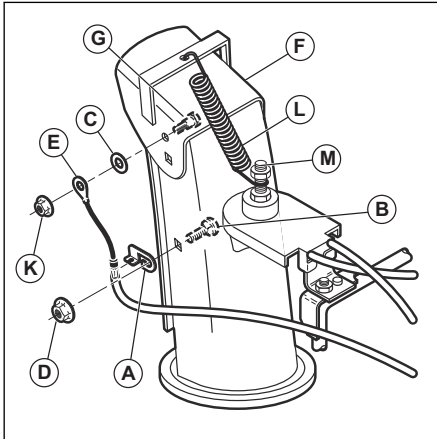


3. Coloque el cable de liberación en la ranura (B) en la palanca del conducto de expulsión.
4. Instale el conector cilíndrico del cable (F) a la palanca de liberación (E).
5. Instale la palanca de liberación (E) en la palanca del conducto de expulsión y fijela con el pasador (C).
6. Ajuste el cable de liberación. Consulte *Ajuste del cable de liberación del conducto de expulsión en la página 52*.

- Ajuste los cables del conducto de expulsión izquierdo y derecho. Consulte *Ajuste de los cables del conducto de expulsión de la izquierda y derecha en la página 52*.

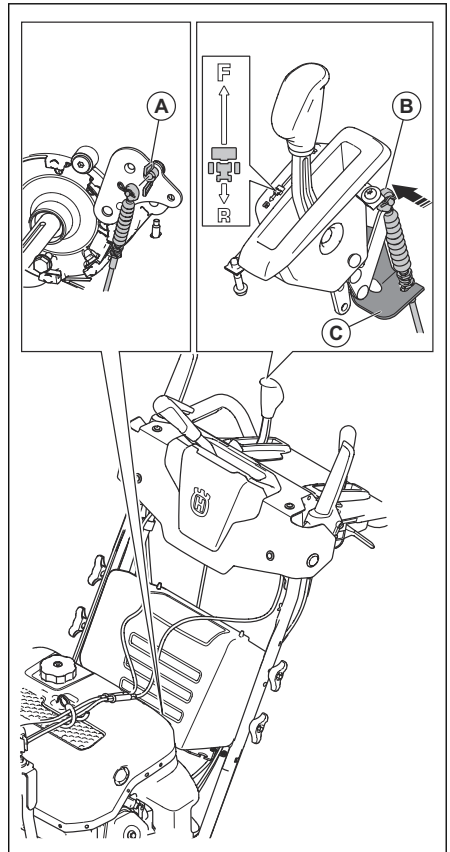
Instalación del control remoto para el conducto de expulsión del deflector

- Fije el soporte del cable (A) al conducto de expulsión izquierdo con un tornillo con una contratuerca de 5/16-18 (D). Apriete el perno.
- Instale el ojal del cable (E) en el deflector del conducto de expulsión (F). Utilice un perno de tope (G), una arandela de nailon (C), y apriete con una contratuerca de ¼-20 (K). El ojal del cable se aflojará en el perno de tope.
- Fije el resorte (L) entre la tuerca hexagonal (M) en el cabezal del rotador y el orificio en el deflector del conducto de expulsión.



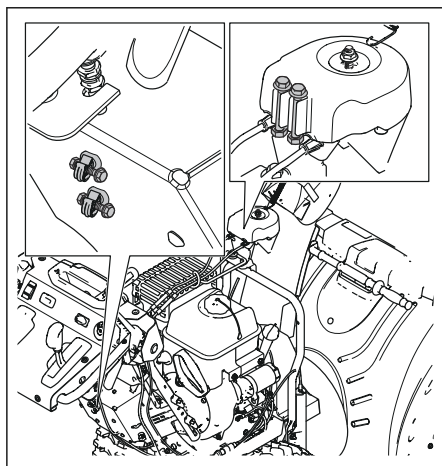
Instalación del cable de control de velocidad

- Coloque la palanca de régimen de velocidad en la posición neutra.
- Fije el cable de control de velocidad (B) a la palanca de régimen de velocidad con el pasador de retención.
- Fije el cable de control de velocidad al soporte (C) con llaves de 2 ½. Asegúrese de que la palanca de régimen de velocidad permanezca en la posición neutra.
- Retire el tornillo y la tuerca de mariposa (A) de la palanca acodada para dejar que esta se mueva.



Fijación de los pasadores de deslizamiento de recambio

- Fije los pasadores de deslizamiento de recambio en la cubierta del control remoto o en la caja de la batería.



Funcionamiento

Antes de arrancar el producto

- Mantenga a las personas y animales alejados de la zona de trabajo.
- Realice un mantenimiento diario. Consulte *Programa de mantenimiento en la página 44*.
- Asegúrese de que el cable de encendido se ajuste correctamente a la bujía.
- Agregue aceite o gasolina, si es necesario. Consulte *Para abastecer de combustible en la página 39*.

Para llenar el motor con aceite:



AVISO: No gire la varilla de nivel cuando revise el aceite. No llene por encima de la marca.

1. Retire el tapón de aceite y limpie la varilla. Consulte *Descripción general de la máquina en la página 29* para ver la ubicación de la varilla de nivel.
2. Llene con aceite hasta la marca superior de la varilla de nivel. Utilice la varilla de nivel para examinar el nivel de aceite en intervalos regulares.
3. Vuelva a colocar el tapón del aceite.

Para abastecer de combustible

Si es posible, utilice gasolina de bajas emisiones/alquilato. Si no dispone de gasolina de bajas emisiones/alquilato, utilice gasolina con o sin plomo de buena calidad. Utilice gasolina con un octanaje de 90 RON fuera de EE. UU. (87 AKI en EE. UU.) o más, y con un máximo de 10 % de etanol (E10).

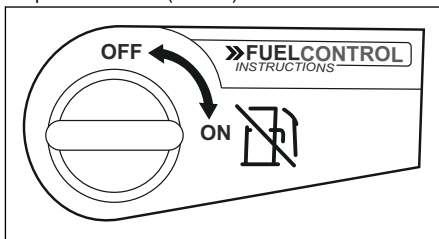


AVISO: No utilice gasolina con un octanaje inferior a 90 RON fuera de EE. UU. (87 AKI en de EE. UU.). Esto puede provocar daños al producto.

1. Abra lentamente la tapa del depósito de combustible para liberar la presión.
2. Llene lentamente con un bidón de combustible. Si derrama combustible, límpielo con un paño y deje que se sequen los restos.
3. Limpie el área alrededor del tapón del depósito de combustible.
4. Apriete bien la tapa del depósito de combustible. Si no aprieta la tapa del depósito de combustible, se genera un riesgo de incendio.
5. Mueva el producto a un mínimo de 3 m (10 pies) de la posición en la que llenó el depósito antes de ponerlo en marcha.

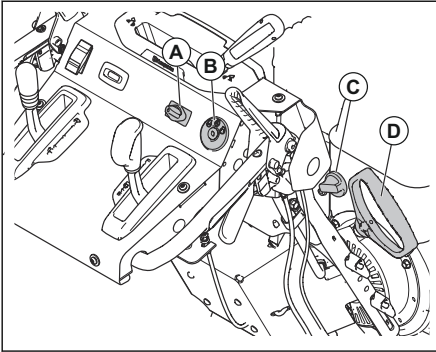
Uso del interruptor de combustible (solo para ST 424/427/430)

- Gire el interruptor de combustible para abrir o cerrar el paso de combustible. Haga funcionar el producto con el interruptor de combustible en la posición OPEN (Abierto).



Para arrancar el motor con arranque manual

1. Coloque la llave de encendido/apagado (ON/OFF) en la ranura de encendido (B). No gire la llave.



2. Solo para ST 424/427/430 : Gire el interruptor de encendido/apagado (ON/OFF) de combustible (C) a la posición de encendido (ON).
3. Coloque el acelerador (A) en la posición FAST (Rápido).
4. Gire la llave de encendido/apagado (ON/OFF) a la posición de encendido (ON).
5. Solo para ST 424/427/430 : Si la temperatura es inferior a -17°C (0°F), presione el cebador 3 veces. Consulte *Descripción general de la máquina en la página 29* para ver la posición del cebador.



AVISO: No empuje el cebador demasiadas veces. Esto puede impedir que el motor arranque. Si el motor se ahoga, espere algunos minutos antes de intentar arrancar. No empuje el cebador.

6. Tire de la empuñadura del cordón de arranque (D).



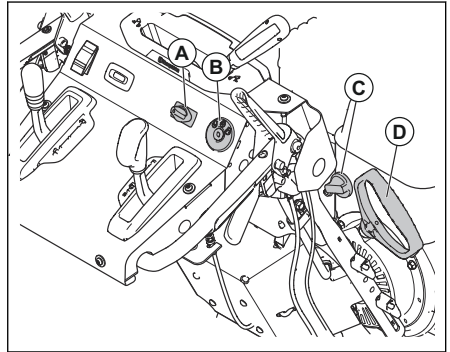
AVISO: No suelte la empuñadura del cordón de arranque en forma rápida. Muévala lentamente a la posición de arranque.

Tenga en cuenta: Si el cordón de arranque se congela, retire lentamente la mayor cantidad de cordón del arranque que pueda. Libere la empuñadura del cordón de arranque. Si el motor no arranca, repita el procedimiento o utilice el arranque eléctrico.

7. Haga funcionar el motor entre 2 y 3 minutos a muy baja velocidad antes de comenzar a quitar la nieve.
8. Si el motor no funciona correctamente, apáguelo.

Para arrancar el motor con arranque eléctrico

1. Coloque la llave de encendido/apagado (ON/OFF) en la ranura de encendido (B). No gire la llave.
2. Solo para ST 424/427/430 : Gire el interruptor de encendido/apagado (ON/OFF) de combustible (C) a la posición de encendido (ON).
3. Coloque el acelerador (A) en la posición FAST (Rápido).
4. Coloque la llave de encendido/apagado (ON/OFF) en la posición de encendido (ON).



5. Solo para ST 424/427/430 : Si la temperatura es inferior a -17°C (0°F), presione el cebador 3 veces. Consulte *Descripción general de la máquina en la página 29* para ver la posición del cebador.



AVISO: No empuje el cebador demasiadas veces. Esto puede impedir que el motor arranque. Si el motor se ahoga, espere algunos minutos antes de intentar arrancar. No empuje el cebador.

6. Gire la llave de encendido/apagado (ON/OFF) para ARRANCAR. Cuando el motor arranque, suelte la llave.



AVISO: No haga funcionar el motor de arranque durante más de 5 segundos cada vez que intenta arrancar. Espere de 5 a 10 segundos entre cada intento.

7. Haga funcionar el motor entre 2 y 3 minutos a muy baja velocidad antes de comenzar a quitar la nieve.

Para hacer funcionar el producto

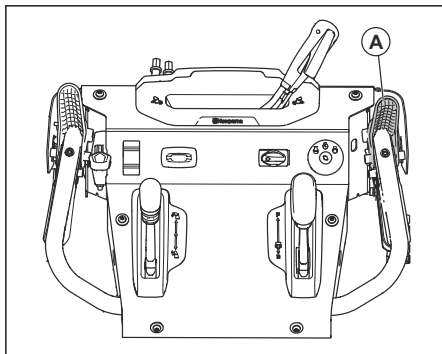


AVISO: No acople parcialmente la palanca de la transmisión o del barreno durante un período prolongado, ya que esto puede provocar un desgaste

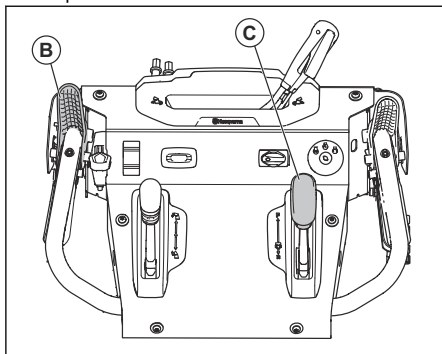
premature de las correas o que estas se quemem.

Tenga en cuenta: Cuando se conectan tanto el acoplamiento de la transmisión como el del barreno, el acoplamiento de la transmisión bloqueará el acoplamiento del barreno en su posición. Utilice la mano derecha para manipular el conducto de expulsión de nieve.

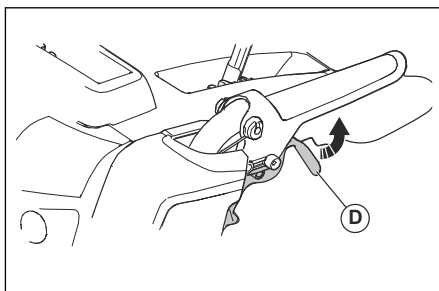
1. Para acoplar las hojas del barreno, presione el acoplamiento del barreno (A) contra la empuñadura para conectar el barreno y quitar nieve.



2. Levante la palanca de control de régimen de velocidad de la transmisión (C) desde la posición central para mover el producto hacia delante cuando esté conectado el acoplamiento de la transmisión (B).
3. Baje la palanca de control de velocidad de la transmisión desde la posición central para mover el producto hacia atrás cuando esté conectado el acoplamiento de la transmisión.



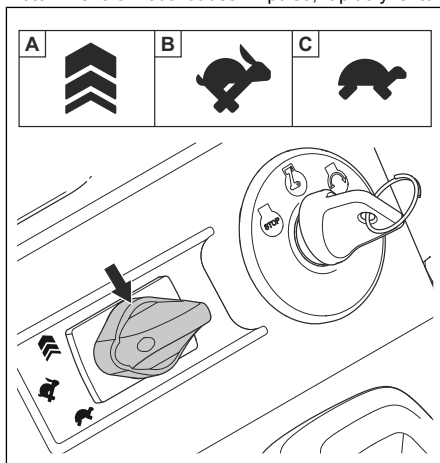
4. Para que el producto se mueva en la dirección seleccionada, sostenga el acoplamiento de la transmisión contra la empuñadura.
5. Si el producto cuenta con dirección asistida, sostenga el gatillo de dirección izquierdo (D) para girar hacia la izquierda. Sujete el gatillo de dirección derecho para girar hacia la derecha.



Control del acelerador

Tenga en cuenta: Si la nieve está mojada o pesada, use los modos de velocidad o impulso.

El control del acelerador se ajusta al régimen del motor. Tiene 3 modalidades: impulso, rápido y lento.



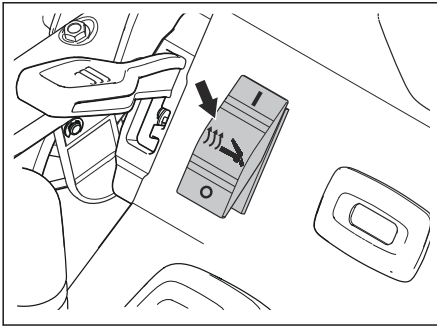
- Impulso (A): para aumentar la velocidad cuando el producto se maneja, pero no para quitar la nieve, ni para aumentar la distancia en que la nieve se expulsa.
- Rápido (B): funcionamiento estándar
- Lento (C): para reducir la distancia a la que la nieve se expulsa, o para disminuir el ruido del motor

Para utilizar el control del acelerador

- Gire el control de régimen del motor para cambiar su velocidad.

Uso de los mangos térmicos

- Mueva el interruptor a "I" para iniciar la calefacción de las empuñaduras.
- Mueva el interruptor a "O" para detener la calefacción de las empuñaduras.



- b) Mueva la palanca de control remoto hacia abajo para disminuir la distancia de expulsión de la nieve.

Para ajustar las planchas protectoras:

Las placas protectoras previenen los daños en la parte inferior de la quitanieves. Ajuste las placas protectoras (A) cuando la contratuerca (B) se afloje, o cuando las placas protectoras no se encuentren en la distancia correcta desde el suelo. No es necesario realizar ajustes en el caso de una instalación normal.

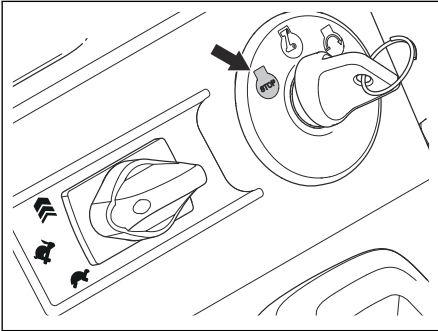
1. Afloje la contratuerca (B) con una llave mixta de 13 mm (½ pulg.).
2. Mueva las placas protectoras (A) hacia arriba o hacia abajo.
 - a) En superficies planas, establezca la distancia entre la espada del rascador y el suelo en entre 5 a 6 mm (0,2 a 0,25 pulg.).
 - b) En superficies irregulares, establezca las placas protectoras (A) en una posición donde la espada del rascador esté por encima de la superficie del suelo.



ADVERTENCIA: Asegúrese de que no entren piedras o grava al producto. Los objetos que se expulsan a alta velocidad pueden causar lesiones.

Para detener la máquina

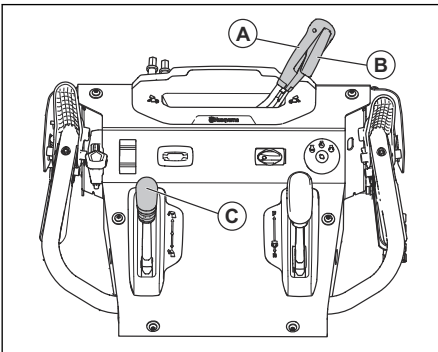
1. Gire la llave a la posición STOP (Detener).



2. Retire la llave de encendido/apagado (ON/OFF).

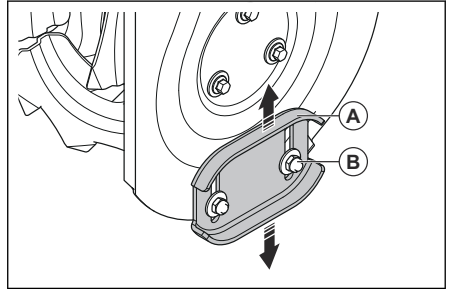
Ajuste del conducto de expulsión y de su deflector

1. Empuje la palanca de liberación (B) en la palanca del conducto de expulsión (A) y ajuste el conducto de expulsión a la posición izquierda o derecha.



2. Mueva la palanca de control remoto (C) para ajustar la distancia de expulsión de la nieve.
 - a) Mueva la palanca de control remoto hacia arriba para disminuir la distancia de expulsión de la nieve.

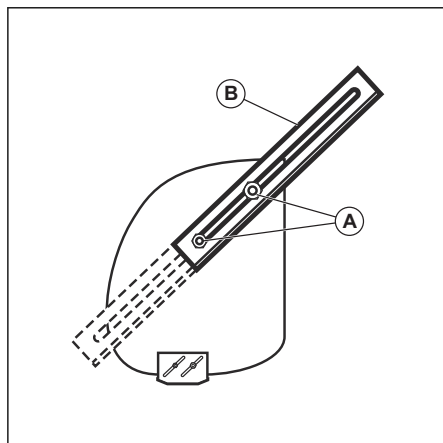
3. Apriete la contratuerca (B).



Para utilizar las cortadoras de deriva (si están equipadas)

Utilice las cortadoras de deriva para cortar pasada la parte delantera del producto a través de los ventisqueros.

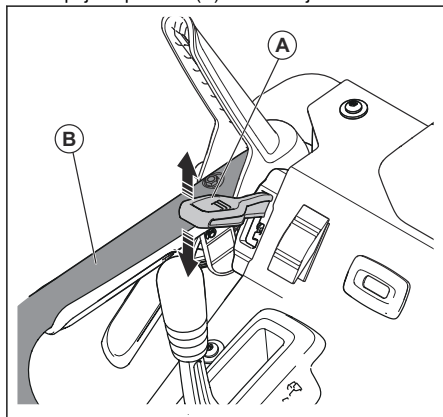
1. Afloje las tuercas de ajuste (A) en ambos lados del producto para permitir que cada cortadora de deriva (B) se suba a su posición más alta.



2. Apriete las tuercas.
3. Baje las cortadoras de deriva después de usarlas.

Ajuste de la altura de la tolva sinfín (solo para ST 424T/427T/430T)

1. Empuje la palanca (A) hacia abajo.



2. Mueva las manillas (B) hacia arriba o hacia abajo para ajustar la altura de la tolva sinfín.
3. Suelte la palanca (A) para bloquear la tolva sinfín en su posición.

Tenga en cuenta: La tolva sinfín se puede establecer en una posición de desbloqueo. Esto permite que la tolva sinfín se adapte al terreno. Para establecer la tolva sinfín en la posición de

desbloqueo, empuje la palanca (A) hacia abajo y hacia la derecha.

Para evitar el congelamiento después de su uso

Tenga en cuenta: Los controles y las piezas móviles se pueden obstruir con el hielo. No aplique demasiada fuerza a los controles. Si no puede manipular un control o una pieza, arranque el motor y déjelo funcionar durante unos minutos.

1. Arranque el motor y déjelo funcionar durante unos minutos. Detenga el motor y espere a que se detengan todas las piezas móviles.
2. Retire la nieve y el hielo suelto del producto.
3. Retire la nieve y el hielo suelto de la base del conducto de expulsión.
4. Gire el deflector del conducto de expulsión hacia la izquierda y hacia la derecha para quitar el hielo y el agua.
5. Coloque la llave en la posición de apagado (OFF).
6. Si el producto no tiene arranque eléctrico, tire la empuñadura del cordón de arranque varias veces para quitar el hielo y el agua.

Para conseguir un buen resultado

- Siempre haga funcionar el motor en aceleración máxima o cerca de la aceleración máxima.
- Adapte siempre la velocidad del producto a la situación de la nieve. Ajuste la velocidad con la palanca de ajuste del régimen de velocidad. Asegúrese de que el producto lance la nieve de manera uniforme.
- Es más fácil y eficiente retirar la nieve inmediatamente después de que cae.
- Siempre que sea posible, arroje la nieve en la dirección del viento.
- En superficies planas, como caminos asfaltados, levante las planchas protectoras entre 5 y 6 mm (0,2 y 0,25") desde el suelo.
- La espada del raspador es reversible. Cuando se desgasta casi hasta el borde de la carcasa, úsela por el otro lado. Reemplace la espada del raspador si está dañada o si ambos lados están desgastados.
- No despache el deflector del conducto si está obstruido.
- Si el producto no avanza debido a circunstancias imprevistas, suelte el acoplamiento de la transmisión inmediatamente o mueva la llave de encendido/apagado (ON/OFF) a la posición de apagado (OFF).

Mantenimiento

Introducción

Cuando el producto esté en uso, los pernos se pueden aflojar y los componentes se pueden desgastar. Esto puede causar alteraciones, como

una holgura de tolerancia incorrecta, mayor consumo de aceite o la alineación incorrecta de los diversos componentes. Realice un mantenimiento periódico al producto para evitar que funcione de manera incorrecta.

Programa de mantenimiento

Mantenimiento	Diario	A intervalos de 15 horas	A intervalos de 20 horas	A intervalos de 40 horas	A intervalos de 100 horas
Apriete todas las tuercas y tornillos.	X				
Compruebe el nivel de aceite del motor	X				
Cambie el aceite del motor			X		
Compruebe y ajuste la tensión de la banda (solo ST 424T/427T/430T)		X			
Asegúrese de que no haya fugas de combustible o aceite	X				
Retire los obstáculos del barreno	X				
Lubrique los ganchos de interbloqueo ⁴			X		
Lubrique los accesorios de cables ⁵			X		
Compruebe la presión de los neumáticos (solo para ST 424/427/430) ⁶				X	

⁴ Lubrique también al comienzo de cada temporada.

⁵ Lubrique también al comienzo de cada temporada.

⁶ Consulte Datos técnicos para conocer la presión correcta de los neumáticos.

Mantenimiento	Diario	A intervalos de 15 horas	A intervalos de 20 horas	A intervalos de 40 horas	A intervalos de 100 horas
Inspeccione y cambie las bujías antes de usar, al inicio de cada temporada, y en los intervalos recomendados					X

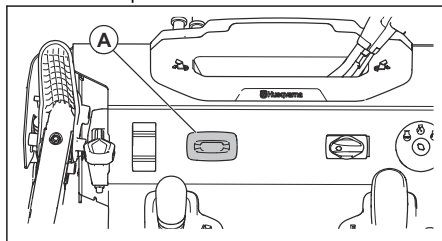
Tenga en cuenta: La caja de cambios no necesita mantenimiento.

Para hacer una inspección general

- Asegúrese de que las tuercas y los tornillos en el producto estén apretados.

Recordatorio de cambio de aceite

El recordatorio de cambio de aceite (A) es una función que señala que un cambio de aceite es necesario. El recordatorio de cambio de aceite enciende un símbolo de lata de aceite en la pantalla después de 20 horas de funcionamiento. Este símbolo de lata de aceite está encendido durante 2 horas o hasta que se reinicie de forma manual.



Restablecimiento del recordatorio de cambio de aceite

1. Gire la llave de encendido/apagado (ON/OFF) a la posición de encendido (ON) y manténgala en esa posición durante 1 segundo.
2. Gire la llave de encendido/apagado (ON/OFF) a la posición de parada (STOP) y manténgala en esa posición durante 1 segundo.
3. Realice este procedimiento 4 veces más.

Para comprobar el nivel de aceite



AVISO: Un nivel de aceite demasiado bajo puede dañar el motor. Revise el nivel de aceite antes de utilizar el producto.

1. Coloque el producto en un terreno plano.

2. Retire el tapón del depósito de aceite junto con la varilla de nivel incluida.
3. Limpie el aceite de la varilla de nivel.
4. Vuelva a colocar la varilla de nivel completa en el depósito de aceite para tener una idea correcta del nivel de aceite.
5. Quite la varilla de nivel.
6. Examine el nivel de aceite con la varilla de nivel.
7. Si el nivel de aceite es bajo, llene con aceite de motor y revise nuevamente.

Para cambiar el aceite del motor:

1. Haga funcionar el motor durante unos minutos para entibiar el aceite. El aceite tibio fluye mejor y transporta menos contaminantes.

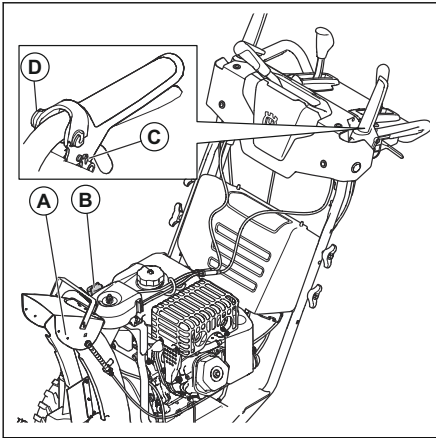


ADVERTENCIA: El aceite del motor está caliente. Evite que el aceite de motor usado entre en contacto con la piel.

2. Coloque el producto en un terreno plano.
3. Retire la llave de encendido/apagado (ON/OFF).
4. Coloque un recipiente debajo del tapón de vaciado de aceite.
5. Quite el tapón de vaciado de aceite, incline el producto y drene el aceite utilizado en el recipiente.
6. Vuelva a poner el producto en la posición de funcionamiento.
7. Coloque el tapón de vaciado de aceite y apriételo con la mano.
8. Llene el motor con aceite; consulte *Para llenar el motor con aceite: en la página 39* para obtener más información.

Para lubricar el producto

- Lubrique los puntos de pivote (A) con aceite.
- Lubrique el motor (B) con aceite.
- Lubrique el enclavamiento de enganches (C) con una pequeña cantidad de grasa de litio.
- Lubrique las conexiones del cable de la transmisión y la tolva sinfín (D) con aceite.



Batería

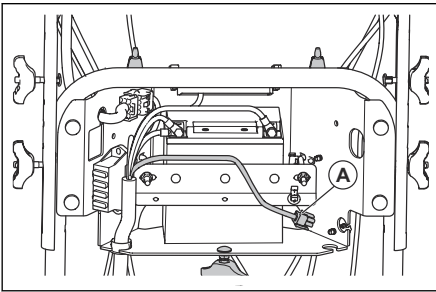
Mantenimiento de la batería

Tenga en cuenta: La batería de su producto no requiere mantenimiento. No abra ni retire las tapas ni las cubiertas.

Para cargar la batería

Tenga en cuenta: Antes del almacenamiento prolongado, cargue la batería regularmente con un cargador de batería para prolongar su vida útil.

1. Retire la cubierta de la batería. Consulte *Para reemplazar la batería en la página 46*.
2. Limpie los terminales. Consulte *Para limpiar la batería y los terminales en la página 46*.
3. Conecte el cargador de la batería a un conector del cargador de baterías.



4. Cuando la batería esté cargada, desconecte el cargador.
5. Instale la cubierta de la batería.

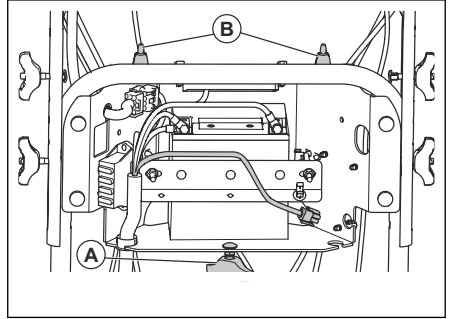
Para reemplazar la batería



ADVERTENCIA: Riesgo de sacudida eléctrica. No permita que los objetos metálicos hagan contacto con los 2

terminales de la batería. Esto puede provocar un cortocircuito de la batería.

1. Afloje la perilla (A) y luego incline la parte inferior de la cubierta en dirección del motor. Levante la cubierta de la batería de las sujeciones (B).



2. Desconecte el cable NEGRO de la batería.



ADVERTENCIA: El cable NEGRO se debe desconectar primero.

3. Desconecte el cable ROJO de la batería.
4. Suelte las tuercas y retire los tirantes de la batería.
5. Retire con cuidado la batería del producto.
6. Instale una batería nueva.
7. Conecte el cable ROJO de la batería y apriete el perno.



ADVERTENCIA: Riesgo de chispas. El cable ROJO se debe conectar primero.

8. Conecte el cable NEGRO y apriete el perno.
9. Instale la cubierta de la batería.

Para limpiar la batería y los terminales

1. Extraiga la batería. Consulte *Para reemplazar la batería en la página 46*.
2. Enjuague la batería con agua limpia y deje secar.
3. Limpie los terminales y los extremos de los cables de la batería con un cepillo hasta que estén brillantes.
4. Lubrique los terminales con grasa.
5. Instale la batería. Consulte *Para reemplazar la batería en la página 46*.
6. Instale la cubierta de la batería.

Silenciador

El silenciador mantiene los niveles de ruido al mínimo y envía los gases de escape lejos del operador.

No utilice el producto si el silenciador no está instalado o está defectuoso. Un silenciador defectuoso aumenta el nivel de ruido y el riesgo de incendio.

Examine el silenciador con regularidad para asegurarse de que está instalado correctamente y que no esté dañado.



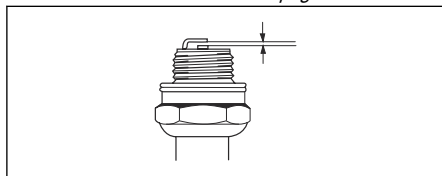
AVISO: El silenciador se calienta mucho durante y después del uso y cuando el motor funciona en régimen de ralentí. Tenga cuidado cerca de materiales o vapores inflamables para prevenir incendios.

Para examinar la bujía



AVISO: Utilice siempre el tipo de bujía recomendada. El tipo de bujía incorrecto puede causar daños en el producto.

- Examine la bujía si el motor tiene una potencia demasiado baja, no arranca fácilmente o no funciona correctamente al régimen de ralentí.
- Para disminuir el riesgo de material no deseado en los electrodos de la bujía, siga estas instrucciones:
 - a) Asegúrese de que el régimen de ralentí esté ajustado correctamente.
 - b) Asegúrese de que la mezcla de combustible es la correcta.
 - c) Asegúrese de que el filtro de aire esté limpio.
- Si la bujía está sucia, límpiela y asegúrese de que la distancia entre los electrodos es correcto, consulte *Datos técnicos en la página 58*.



- Reemplace la bujía si es necesario.

Para inspeccionar los barrenos y la espada del raspador:

1. Antes de cada uso, inspeccione los barrenos y la espada del raspador para ver si muestras signos de desgaste.
2. Si el borde de la espada del raspador está desgastado, úsela por el otro lado. Si la espada del raspador tiene daños o desgaste en ambos bordes, reemplácela.
3. Si los bordes de los barrenos están desgastados, comuníquese con un centro de servicio autorizado para reemplazarlos.

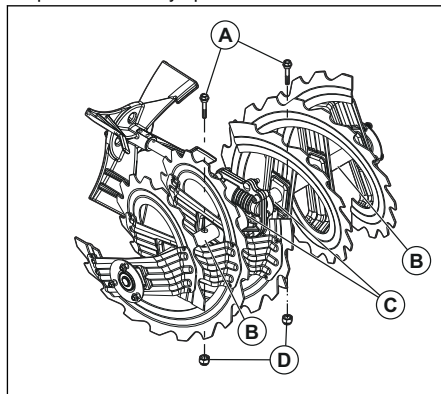
Para reemplazar los pasadores fusibles del barreno

Los pasadores fusibles protegen el producto de daños. Los pasadores fusibles del barreno se rompen si un objeto entra en contacto con las piezas móviles.



AVISO: Utilice únicamente los pasadores fusibles originales que se suministran con el producto.

1. Si un pasador fusible del barreno se rompe, detenga el motor y espere a que las piezas móviles se detengan.
2. Retire la llave de encendido/apagado (ON/OFF) y desconecte el cable de la bujía.
3. Alinee el orificio del cubo del barreno (B) con el orificio del eje del barreno (C) e instale un nuevo pasador fusible de ¼-20 x 2 (A).
4. Instale una contratuerca de ¼-20 (D) en el pasador fusible y apriétela.



5. Coloque la llave de encendido/apagado (ON/OFF) en el encendido y conecte el cable de la bujía a la bujía.

Para reemplazar los pasadores fusibles del propulsor

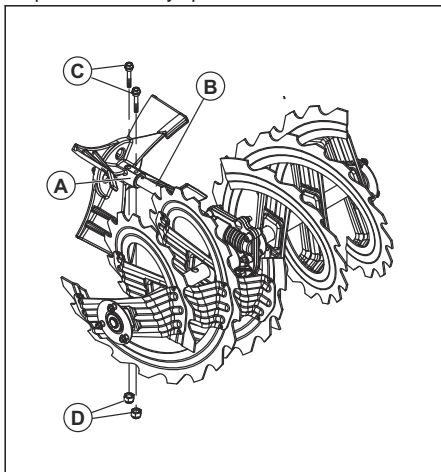
Los pasadores fusibles del propulsor protegen el producto de daños. Los pasadores fusibles del propulsor se rompen si un objeto entra en contacto con las piezas móviles.



AVISO: Utilice únicamente los pasadores fusibles originales que se suministran con el producto.

1. Si un pasador fusible del propulsor se rompe, detenga el motor y espere a que las piezas móviles se detengan.
2. Retire la llave de encendido/apagado (ON/OFF) y desconecte el cable de la bujía.

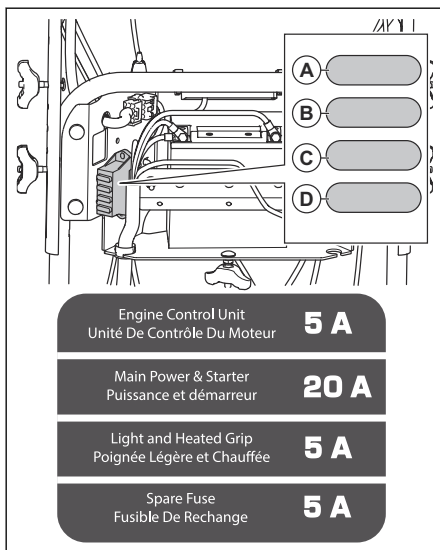
3. Alinee el orificio del cubo del propulsor (A) con los orificios del eje del barreno (B) e instale un nuevo pasador fusible de ¼-20 (C).
4. Instale una contratuerca de ¼-20 (D) en el pasador fusible y apriétela.



5. Coloque la llave de encendido/apagado (ON/OFF) en el encendido y conecte el cable de la bujía a la bujía.

Para reemplazar el fusible

Los portafusibles se instalan detrás de la cubierta de la batería.



- Cambie el fusible de la unidad de control del motor (A) por un fusible de 5 A.
- Cambie el fusible del solenoide de arranque (B) por un fusible de 20 A.

- Cambie el fusible del LED y de las manillas térmicas (C) por un fusible de 5 A.
- La posición (D) contiene un fusible de 5 A de respaldo.

Para examinar los neumáticos

- Mantenga los neumáticos libres de combustible, aceite y productos químicos para evitar dañar el caucho.
- Mantenga los neumáticos alejados de tocones, piedras, baches, objetos filosos y otros objetos que puedan dañarlos.
- Mantenga la presión de los neumáticos correcta; consulte *Datos técnicos en la página 58* para obtener más información.

Eliminación de obstrucciones del deflector del conducto de expulsión:

No elimine la obstrucción del deflector del conducto de expulsión sin haber realizado las siguientes operaciones:

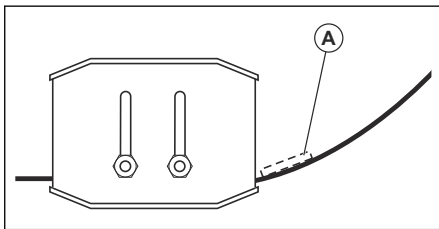
1. Libere el acoplamiento del barreno y de la transmisión al mismo tiempo.
2. Espere 10 segundos para asegurarse de que los barrenos se detuvieron.
3. Detenga la máquina.
4. Utilice la herramienta de limpieza (de al menos 37 cm [15"] de longitud, que se incluye en algunos modelos) para eliminar la obstrucción.



ADVERTENCIA: No ponga las manos en el deflector del conducto de expulsión o en la tolva sin fin.

Para reemplazar la espada del raspador

1. Coloque la espada del raspador (A) invertida cuando se haya desgastado hasta el borde de la carcasa.



2. Reemplace la espada del raspador si está desgastada en ambos lados o si está dañada.

Correas de transmisión



ADVERTENCIA: Las correas trapecoidales del producto son de fabricación especial y deben cambiarse

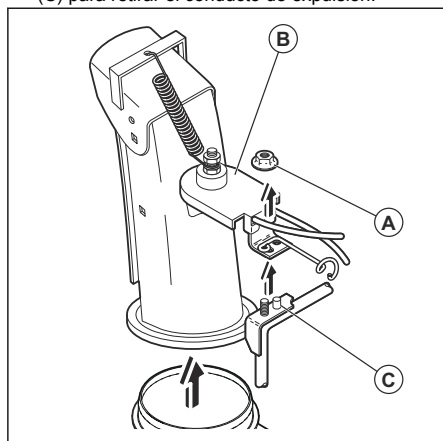
por correas del fabricante del equipo original (OEM, por su sigla en inglés) disponibles en su centro de servicio más cercano. Usar correas no fabricadas por el OEM puede conllevar a daños personales o daños al producto.



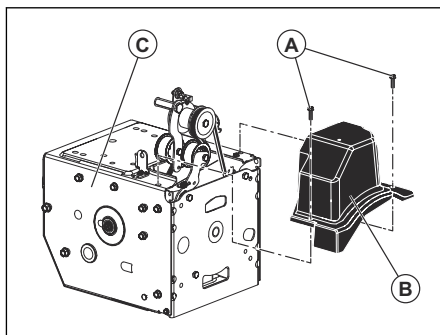
ADVERTENCIA: Para reemplazar las correas, es necesario desmontar el producto. Al desmontar la carcasa del barreno del bastidor, es importante que un ayudante se ubique en la posición de manipulación del producto y sostenga las empuñaduras. Pueden producirse daños personales graves o daños al producto si este se cae durante el reemplazo de las correas.

Para preparar el reemplazo de las correas

1. Vacíe el combustible del depósito de combustible.
2. Afloje la contratuerca (A) que fija el cabezal del rotador del conducto (B) al soporte de montaje (C) para retirar el conducto de expulsión.

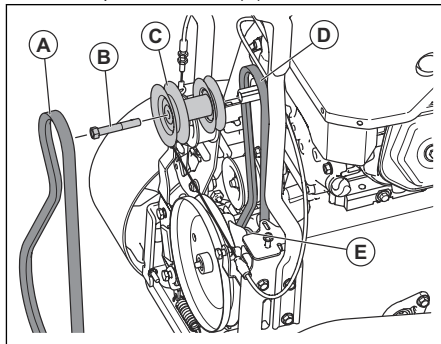


3. Afloje los dos tornillos (A) que fijan la cubierta de la correa (B) al bastidor (C) y retire la cubierta de la correa.



Para retirar la correa de transmisión

1. Retire la correa del barreno (A). Consulte *Retiro de la correa del barreno (solo para ST 424/427/430)* en la página 50.
2. Retire el perno de la plega de 9/16 pulg. (B) y retire la plega del motor (C) del motor.



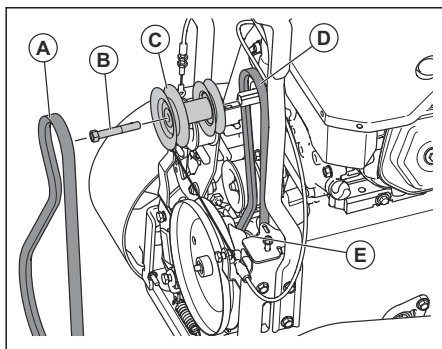
3. Retire la correa de transmisión (D) de la plega inferior (E).

Para instalar la correa de transmisión

1. Coloque la correa de transmisión en la plega inferior (E).

Tenga en cuenta: Asegúrese de colocar correctamente la correa de transmisión en la ranura de la plega inferior.

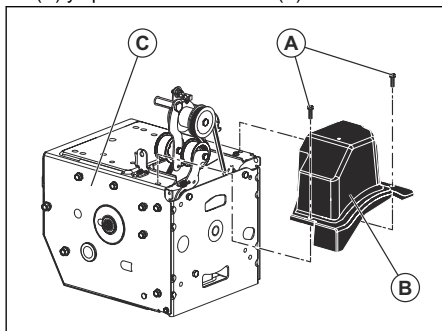
2. Coloque la correa de transmisión en la ranura de la plega del motor (C).



3. Instale el perno de la polea de 9/16 (B) y fije la polea del motor (C) en el motor. Apriete el perno de la polea (41 - 47 Nm/30-35 pies-lb).
4. Instale la correa del barreno (A). Consulte *Para instalar la correa del barreno en la página 51*.
5. Haga funcionar todos los controles para asegurarse de que la correa de transmisión esté correctamente instalada y de que todos los componentes se muevan correctamente.

Para instalar la cubierta de la correa

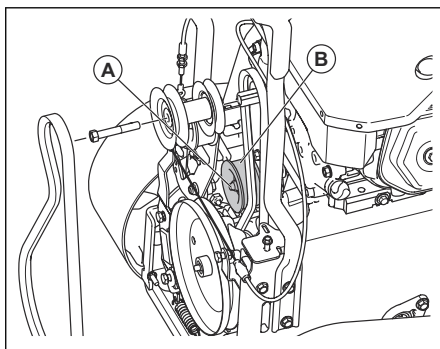
1. Instale la cubierta de la correa (B) en el bastidor (C) y apriete los dos tornillos (A).



2. Instale el conducto de expulsión.

Ajuste de la tensión de la correa de transmisión

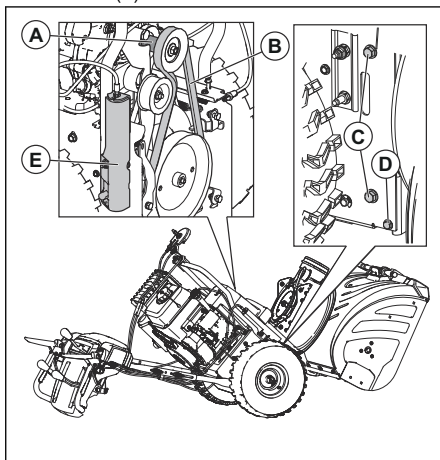
1. Retire la cubierta de la correa. Consulte *Para preparar el reemplazo de las correas en la página 49*.
2. Afloje la tuerca de la polea tensora (A).
3. Mueva la polea tensora (B) en dirección de la correa para aumentar la tensión de la correa. Aléjela de la correa para disminuir la tensión de la correa.



4. Apriete la tuerca de la polea tensora (A).
5. Presione y suelte la palanca de ajuste del régimen de velocidad. Si la correa de transmisión tiene tensión cuando se suelta la palanca de ajuste del régimen de velocidad, aleje la polea tensora de la correa de transmisión para liberar la tensión de la correa.
6. Instale la cubierta de la correa. Consulte *Para instalar la cubierta de la correa en la página 50*.

Retiro de la correa del barreno (solo para ST 424/427/430)

1. Retire la tuerca de 5/16" la tuerca y la cubierta del cable (E) del bastidor.

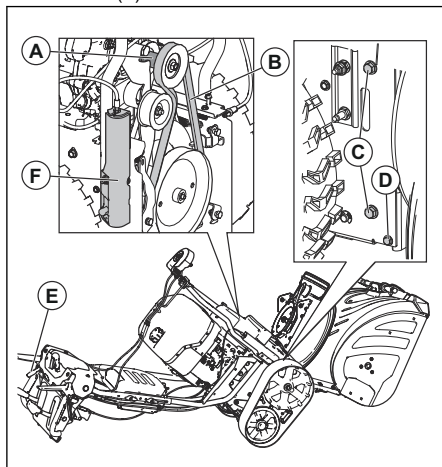


2. Retire los pernos de 5/16" superiores y los pernos de 1/4" inferiores (D) de los 2 lados del bastidor. No bote los pernos.
3. Afloje, sin retirar, los pernos inferiores de 5/16" (C) de los dos lados del bastidor.
4. Retire la correa del barreno (B) de la polea del motor (A).
5. Incline la sección trasera hacia abajo. La sección delantera se inclinará hacia delante al mismo tiempo. El perno inferior es una bisagra entre las secciones delantera y trasera.

- Coloque un bloque de madera debajo del punto de bisagra para mantener el producto inclinado.
- Mueva el brazo de freno del barreno y retire la correa del barreno (B) de alrededor del brazo del freno del barreno.

Retiro de la correa del barreno (solo para ST 424T/427T/430T)

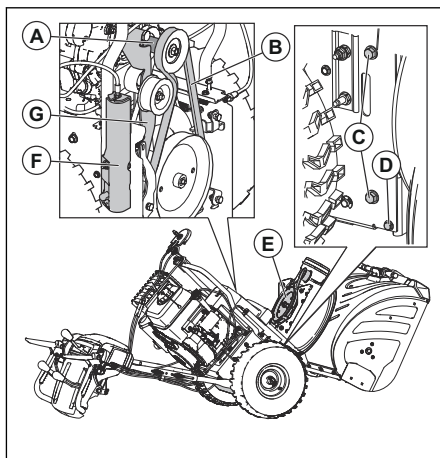
- Retire la tuerca de 5/16" la tuerca y la cubierta del cable (E) del bastidor.



- Retire los pernos de 5/16" superiores de los 2 lados del bastidor. No bote los pernos.
- Retire los pernos de 5/16" (C) inferiores de los 2 lados del bastidor.
- Retire la correa del barreno (B) de la polea del motor (A).
- Utilice la palanca de ajuste de la tolva sinfin para inclinar la sección trasera hacia abajo. La sección delantera se inclinará hacia delante al mismo tiempo. El perno inferior es una bisagra entre las secciones delantera y trasera.
- Coloque un bloque de madera debajo del punto de bisagra para mantener el producto inclinado.
- Mueva el brazo de freno del barreno y retire la correa del barreno (B) de alrededor del brazo del freno del barreno.

Para instalar la correa del barreno

- Mueva el brazo del freno del barreno (G). Coloque la correa del barreno alrededor y en la ranura de la polea de barreno (E).



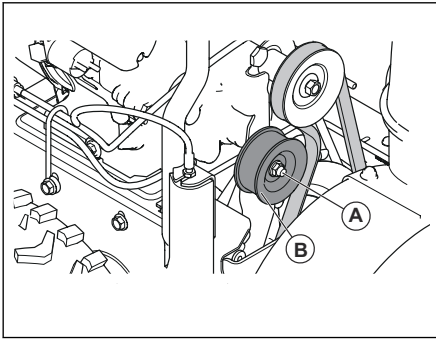
AVISO: Asegúrese de que la correa no quede atrapada entre el bastidor y la carcasa del barreno cuando junte la unidad.

- Retire el bloque de madera de abajo del producto.
- Levante las empuñaduras para inclinar la sección trasera hacia arriba. La sección delantera se inclinará hacia atrás y pivotará para unirse a la sección trasera.
- Asegúrese de colocar correctamente la correa en la ranura de la polea del barreno (E).
- Instale los pernos de 5/16" (C) y apriételos (11-16 Nm).
- Solo para ST 424/427/430 : Instale los pernos de 1/4" (D) y apriételos (5-8 Nm).
- Instale la correa del barreno (B) en la polea del motor (A). Asegúrese de que la correa se coloque correctamente alrededor de la polea tensora e instale adecuadamente en la ranura de la polea del motor.
- Instale la cubierta del cable (F) y la tuerca de 5/16" en el bastidor.
- Haga funcionar todos los controles para asegurarse de que la correa del barreno esté correctamente instalada y de que todos los componentes se muevan correctamente.

Ajuste de la tensión de la correa del barreno

Tenga en cuenta: Se necesita un asistente para realizar esta tarea.

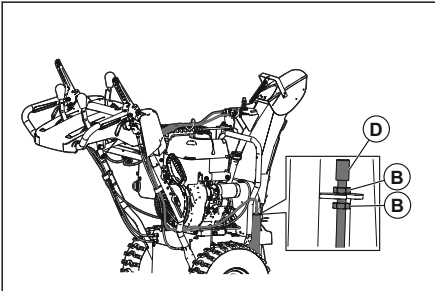
- Retire la cubierta de la correa. Consulte *Para preparar el reemplazo de las correas en la página 49*.
- Afloje la tuerca de la polea tensora (A).



3. Mueva la polea tensora (B) en dirección de la correa del barreno para aumentar la tensión de la correa. Aléjela de la correa del barreno para disminuir la tensión de la correa.
4. Apriete la tuerca de la polea tensora (A).
5. Posicione el asistente a 3 m (10 pies) delante del producto para controlar el movimiento del barreno.
6. Presione y suelte la conexión del barreno para arrancar y detener el barreno.
7. Mida el tiempo en que el barreno deja de moverse. Si el barreno se detiene antes de 5 segundos, suelte la tensión de la correa.
8. Cuando el barreno se detenga antes de los 5 segundos, instale la cubierta de la correa. Consulte *Para instalar la cubierta de la correa en la página 50*.

Para ajustar el cable de control del barreno

1. Retire la cubierta del cable del lado derecho del bastidor (D).



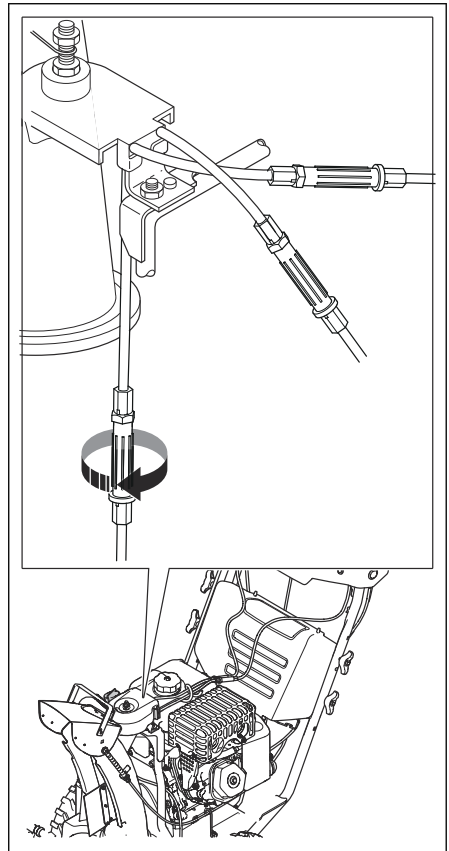
2. Para eliminar la holgura del cable de control del barreno, desatornille la tuerca de inmovilización inferior (B) y apriete la tuerca de inmovilización superior (B) hasta que aumente la tensión de la correa del barreno.
3. Vuelva a probar el acoplamiento del barreno. Repita el ajuste según sea necesario hasta que la holgura del cable sea poca cuando la palanca esté desacoplada.

4. Apriete la tuerca de inmovilización inferior para bloquear la tensión.

Tenga en cuenta: También puede tensar la correa del barreno ajustando la polea tensora como segunda opción. Si el ajuste no resuelve el problema, cambie la correa del barreno. Consulte *Para instalar la correa del barreno en la página 51*.

Ajuste del cable de liberación del conducto de expulsión

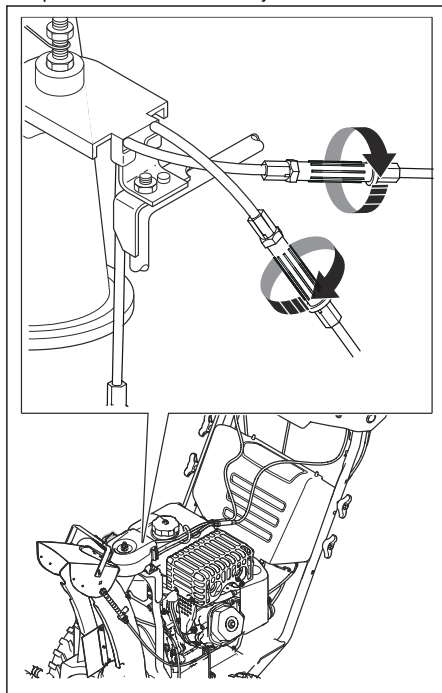
1. Para ajustar el cable de liberación, gire el ajustador del cable hasta que la palanca de liberación de la canaleta de expulsión no se mueva libremente.



Ajuste de los cables del conducto de expulsión de la izquierda y derecha

1. Coloque la palanca del conducto de expulsión en la posición central.

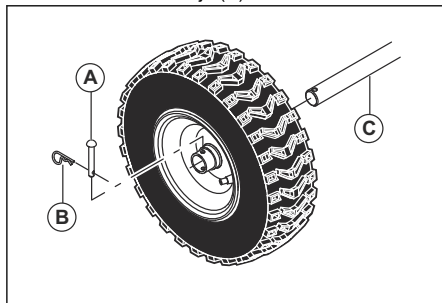
2. Gire los ajustadores de cables hasta que el conducto de expulsión apunte hacia delante y que los cables estén bien ajustados.



3. Afloje los ajustadores de cables de $\frac{1}{4}$, gírelos para que los cables estén menos apretados.

Para quitar las ruedas

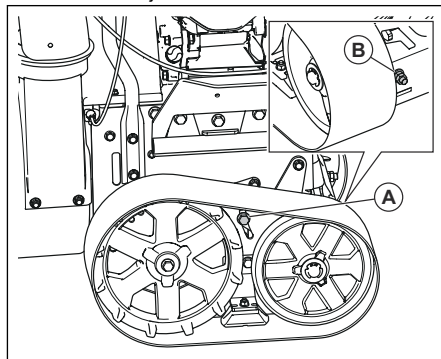
1. Extraiga el pasador de la rueda (A) y el pasador de retención (B).
2. Quite la rueda del eje (C).



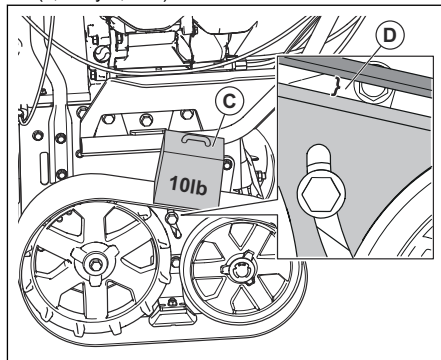
Ajuste de la tensión de la banda continua (solo para ST 424T/427T/430T)

Tenga en cuenta: Las herramientas necesarias para esta tarea: un enchufe de profundidad de 9/16", una llave de 9/16" y un peso de 5 kg (10 lb).

1. Afloje el tornillo de fijación (A) 1 vuelta.
2. Retire la contratuerca trasera (B) para acceder a la tuerca de ajuste.



3. Ponga un peso de 5 kg (10 lb) (C) en la parte superior de la banda continua, en el centro entre las 2 ruedas.
4. Gire la tuerca de ajuste (B) hasta que la distancia (D) entre la banda continua y la placa de acero se encuentre entre 3,175 y 6,350 mm (0,125 y 0,250") de ancho.



5. Fije el tornillo de fijación (A) y, luego, la contratuerca trasera (B).

Para limpiar el producto

- Limpie las piezas de plástico con un paño limpio y seco.
- No use limpiadores de alta presión para limpiar el producto.
- No arroje agua directamente sobre el motor.

- Utilice un cepillo para retirar las hojas, el césped y la suciedad.

Solución de problemas

Problema	Causa posible	Solución
El producto no arranca	La llave de encendido de seguridad no se encuentra inserta.	Inserte la llave de encendido de seguridad.
	El producto no tiene combustible.	Llene el depósito de combustible con gasolina nueva y limpia.
	La llave de encendido/apagado (ON/OFF) está en la posición OFF (Apagado).	Mueva la llave de encendido/apagado (ON/OFF) a la posición ON (Encendido).
	El motor no está cebado.	Cebe el motor.
	El motor está inundado.	Espera unos minutos antes de volver a arrancar, NO presione el cebador. Vuelva a arrancar el motor con la aceleración máxima y el estrangulador en la posición OFF (CLOSE) (Apagado [Cerrado]).
	El cable de la bujía no está conectado.	Conecte el cable a la bujía.
	La bujía está defectuosa.	Reemplace la bujía.
	Hay agua en el combustible o el combustible es demasiado antiguo.	Vacíe el depósito de combustible y el carburador. Llene el depósito de combustible con gasolina nueva y limpia.
	Hay vapor en la tubería de combustible.	Asegúrese de que toda la tubería de combustible esté por debajo de la salida del depósito de combustible. La tubería de combustible debe fluir de forma continua hacia abajo desde el depósito de combustible hasta el carburador.
	Otras causas.	Inspeccione con cuidado los procedimientos de arranque de este manual.
	El interruptor de combustible (si está equipado) está en la posición CLOSE (Cerrado) (OFF [Apagado]).	Coloque el interruptor de combustible en la posición OPEN (ON) (Abierto [Encendido]).
	El acelerador está en la posición STOP (Detención).	Mueva el acelerador hasta la posición FAST (Rápido).
	La batería de arranque no está cargada.	Cargue la batería de arranque.
	Se debe reemplazar la batería de arranque.	Cambie la batería de arranque.
	La unidad de control del motor no recibe alimentación.	Inspeccione el fusible ECU y el cableado.
	El solenoide de arranque no se conecta.	Inspeccione el fusible de arranque y el cableado.
	El inyector de combustible no se activa. (Solo para ST 424T/427T/430T)	Comuníquese con un centro de servicio autorizado.
La bomba de combustible no recibe alimentación. (Solo para ST 424T/427T/430T)	Comuníquese con un centro de servicio autorizado.	

Problema	Causa posible	Solución
Potencia reducida	El cable de la bujía no está conectado.	Conecte el cable a la bujía.
	El producto lanza demasiada nieve.	Disminuya la velocidad y el ancho de la hilera.
	La tapa del depósito de combustible está cubierta de hielo o nieve.	Retire el hielo y la nieve del tapón del depósito de combustible y alrededor de él.
	El silenciador está sucio u obstruido.	Limpie o reemplace el silenciador.
	Longitud incorrecta del cable.	Ajuste el cable.
	El silenciador está obstruido.	Asegúrese de que el motor esté frío. Limpie la obstrucción.
	La toma de aire del carburador está obstruida.	Asegúrese de que el motor esté frío. Limpie la obstrucción.
	El inyector de combustible no se activa.	Comuníquese con un centro de servicio autorizado.
El motor funciona en ralentí o de forma irregular	La tubería de combustible está obstruida.	Limpie la tubería de combustible.
	Hay agua en el combustible o el combustible es demasiado antiguo.	Vacíe el depósito de combustible y el carburador. Llene el depósito de combustible con gasolina nueva y limpia.
	Se debe reemplazar el carburador.	Comuníquese con un centro de servicio autorizado.
	El inyector de combustible no se activa.	Comuníquese con un centro de servicio autorizado.
Movimiento del manillar o vibración excesiva	Algunas piezas están sueltas. Los barrenos están dañados.	Apriete todas las sujeciones. Reemplace todas las piezas dañadas. Si la vibración persiste, comuníquese con un centro de servicio autorizado.
	Los manillares no están colocados de manera correcta.	Asegúrese de que los manillares estén trabados en su posición.
	Las tuercas de la palanca de ajuste están sueltas.	Apriete las tuercas hasta que el manillar se sienta firme.
Cuesta extraer la empuñadura del cordón de arranque	La empuñadura del cordón de arranque está congelada.	Tire lentamente hacia afuera la mayor cantidad de cordón posible del mecanismo de arranque y suelte la empuñadura del cordón de arranque. Si el motor no arranca, repita el procedimiento o utilice el mecanismo de arranque eléctrico.
	El cordón de arranque interfiere en los componentes.	El cordón de arranque no debe tocar cables ni mangueras.

Problema	Causa posible	Solución
Pérdida de tracción o ralentización de la velocidad de transmisión.	La correa patina.	Ajuste el cable. Ajuste la correa.
	La correa está desgastada.	Revise o reemplace la correa. Ajuste la polea.
	La correa se salió de la polea.	Revise o vuelva a instalar la correa. Ajuste la polea.
	El deflector del conducto está obstruido.	Limpie el deflector del conducto.
Pérdida o ralentización de la descarga de nieve.	Objetos extraños obstruyen los barrenos.	Retire la suciedad o los objetos extraños de los barrenos.
	El pasador fusible está roto.	Reemplace el pasador fusible roto.
	Exceso de hielo y nieve acumulados entre los componentes de la banda continua.	Retire el hielo y nieve acumulados entre los componentes de la banda continua.
Las luces no están encendidas (si están equipadas)	El motor no está en marcha.	Arranque el motor.
	La conexión de los cables está suelta.	Compruebe las conexiones de los cables del motor y las luces.
	El LED está quemado.	Reemplace el módulo de luz LED. Los LED individuales no se pueden reemplazar.
	El fusible está fundido.	Reemplace el fusible. Asegúrese de que no haya un cortocircuito.
Es difícil mover el rotador del conducto	Hay suciedad en el mecanismo del rotador del conducto.	Limpie las piezas internas del mecanismo del rotador del conducto.
	Los cables están torcidos o dañados.	Asegúrese de que los cables no estén torcidos. Reemplace los cables dañados.
	El cable de liberación necesita un ajuste.	Ajuste el cable de liberación.
El producto se gira hacia un lado.	La presión de los neumáticos no es igual.	Ajuste la presión de los neumáticos y llene los neumáticos.
	El producto se mueve con una sola rueda.	Inspeccione el pasador de bloqueo de los neumáticos.
	Ajuste del trineo irregular.	Ajuste las planchas protectoras y el trineo.
	Planchas protectoras con ajuste no uniforme.	Ajuste las planchas protectoras y el trineo.

Transporte, almacenamiento y eliminación de residuos

Transporte y almacenamiento

- Para el almacenamiento y el transporte del producto y del combustible, asegúrese de que no haya fugas o vapores. Las chispas o llamas, por ejemplo, de dispositivos eléctricos o calderas, pueden iniciar un incendio.
- Siempre use contenedores aprobados para el almacenamiento y el transporte del combustible.
- Vacíe el depósito de combustible antes de almacenar el producto durante un largo tiempo.
- Deseche el combustible en un sitio adecuado para tal propósito.
- Asegure bien el producto durante el transporte para evitar daños y accidentes.
- Mantenga el producto en un área cerrada para evitar que los niños u otras personas sin autorización puedan acceder a él.
- Mantenga el producto en un lugar seco y sin escarcha.
- Cargue la batería durante un almacenamiento prolongado. Examine y limpie los terminales de

la batería antes de un almacenamiento prolongado.

Eliminación

- Obedezca las regulaciones vigentes y requisitos de reciclaje locales.
- Deseche todos los productos químicos, como el combustible o el aceite del motor, en un centro

de servicio o en un sitio adecuado para tal propósito.

- Cuando el producto se deja de utilizar, envíelo a un distribuidor de Husqvarna o deséchelo en un sitio de reciclaje.
- Envíe la batería a un taller de servicio o deséchela en un lugar para eliminación de baterías usadas.

Datos técnicos

Datos técnicos

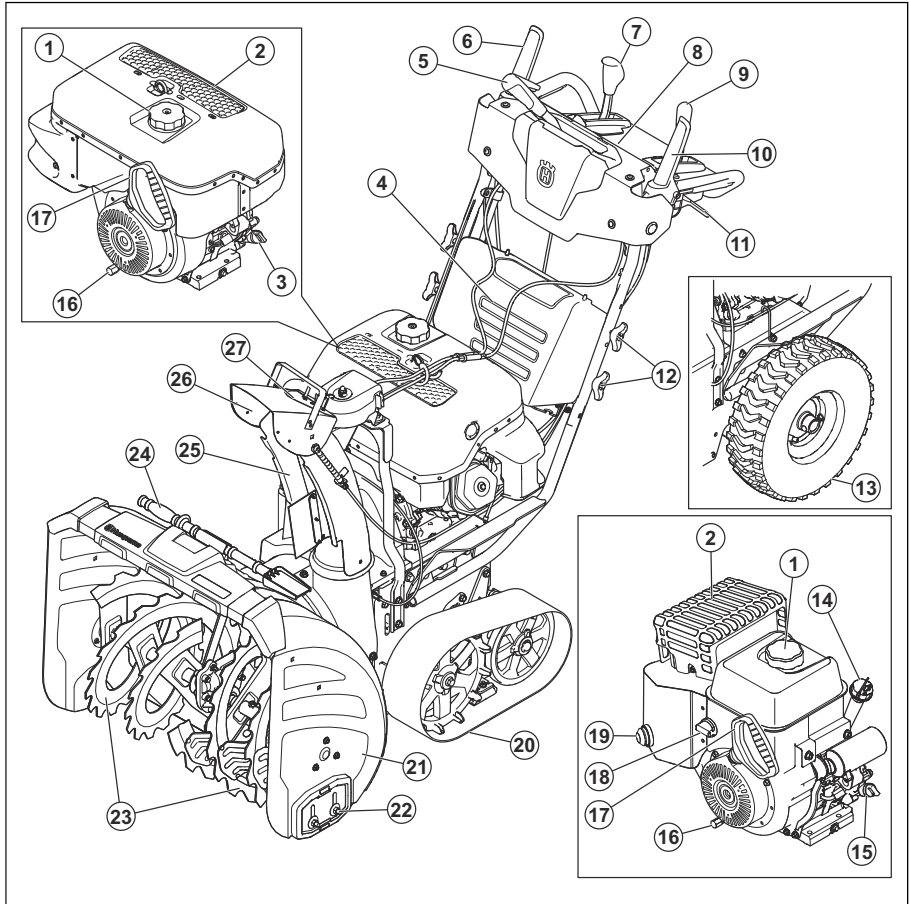
	ST 424	ST 427	ST 430	ST 424T	ST 427T	ST 430T
Dimensiones						
Peso con tanques vacíos, kg	140	145	150	160	165	170
Presión de funcionamiento máxima de los neumáticos, psi	18	18	20	N/D	N/D	N/D
Motor						
Marca	Husqvarna	Husqvarna	Husqvarna	Husqvarna	Husqvarna	Husqvarna
Cilindrada, cc	291	369	414	306	369	420
Tipo de combustible	Regular sin plomo (con un máximo de un 10 % de etanol)					
Capacidad de combustible, gal/L	0,62/2,35	0,62/2,35	0,62/2,35	0,95/3,60	0,95/3,60	0,95/3,60
Tipo de aceite (API SJ-SN)	SAE 5W30 (inferior a 0 °C [32 °F])					
Capacidad de aceite fl. oz./L	32/0,95	38/1,12	38/1,12	32/0,95	38/1,12	38/1,12
Sistema eléctrico						
Bujía	F6RTC					
Distancia entre los electrodos de la bujía (pulg./mm)	0,027/0,686					

Table des matières

Introduction.....	59	Entretien.....	74
Sécurité.....	61	Dépannage.....	85
Montage.....	66	Transport, entreposage et mise au rebut.....	87
Fonctionnement.....	69	Données techniques.....	88

Introduction

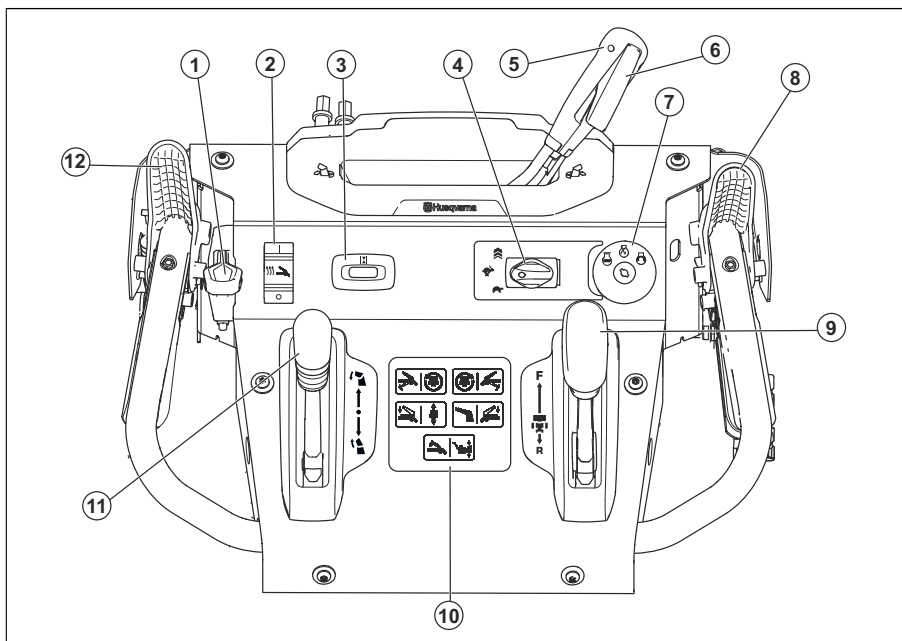
Présentation de la machine



- | | |
|--|--|
| 1. Bouchon du réservoir de carburant | 6. Engagement de tarière |
| 2. Silencieux | 7. Levier de vitesse de l'entraînement |
| 3. Remplissage/jauge d'huile (pour ST 424T/427T/
430T uniquement) | 8. Panneau de commande |
| 4. Couvercle de batterie | 9. Levier de commande à distance |
| 5. Levier de la goulotte d'éjection | 10. Engagement de l'entraînement |
| | 11. Leviers de direction |

- | | |
|--|---|
| 12. Boutons de poignée | 20. Chenille continue (pour ST 424T/427T/430T uniquement) |
| 13. Roue (pour ST 424/427/430 uniquement) | 21. Godet à tarière |
| 14. Jauge d'huile (pour ST 424/427/430 uniquement) | 22. Plaque de protection |
| 15. Remplissage d'huile (pour ST 424/427/430 uniquement) | 23. Tarière |
| 16. Vidange d'huile | 24. Outil de nettoyage |
| 17. Corde du lanceur | 25. Goulotte de décharge |
| 18. Interrupteur de marche/arrêt du carburant (pour ST 424/427/430 uniquement) | 26. Déflecteur de la goulotte d'éjection |
| 19. Poire d'amorçage (pour ST 424/427/430 uniquement) | 27. Éclairage DEL |

Présentation de la machine



1. Levier de réglage du godet à tarière
2. Interrupteur de marche/arrêt de poignée chauffante
3. Compteur horaire et rappel de changement d'huile
4. Accélérateur
5. Levier de la goulotte d'éjection
6. Levier de déverrouillage
7. Fente d'allumage
8. Engagement de tarière
9. Levier de vitesse de l'entraînement
10. Étiquette de symboles
11. Levier de commande à distance pour le déflecteur de la goulotte d'éjection
12. Engagement de l'entraînement

Description de l'outil

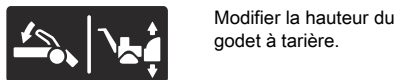
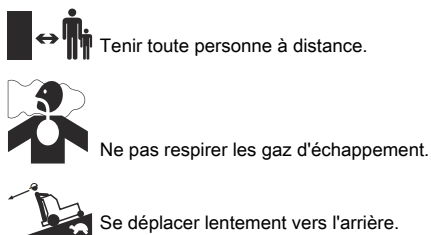
Le produit est une fraise à neige pour débayer la neige du sol.

Utilisation prévue

Cet appareil peut être utilisé pour retirer la neige des champs, des routes, des allées et des trottoirs. Ne pas l'utiliser sur les pentes supérieures à 20°. Ne pas utiliser ce produit dans des zones où il y a beaucoup de débris, de saleté et de pierres qui dépassent.

Symboles figurant sur la machine

Remarque : Si les autocollants sur le produit sont endommagés, communiquer avec le concessionnaire pour les remplacer.



Responsabilité concernant le produit

Comme indiqué dans les lois en vigueur sur la responsabilité concernant les produits, nous ne serons pas tenus responsables des dommages que notre produit causerait dans les situations suivantes :

- Le produit n'est pas réparé de façon adéquate.
- Le produit est réparé avec des pièces qui ne sont pas fournies ou homologuées par le fabricant.
- Le produit comprend un accessoire qui n'est pas fourni ou homologué par le fabricant.
- Le produit n'est pas réparé par un centre de service après-vente agréé ou par une autorité homologuée.

Sécurité

Définitions relatives à la sécurité

Les définitions ci-dessous indiquent le niveau de gravité pour chaque mot signal.



AVERTISSEMENT : Blessures aux personnes.



MISE EN GARDE : Dommages causés à l'outil.

Remarque : Cette information facilite l'utilisation de l'outil.

Consignes générales de sécurité

- Utiliser l'outil correctement. Des blessures graves ou mortelles peuvent résulter d'une utilisation non adéquate. Utiliser l'outil seulement pour les tâches décrites dans le présent manuel. Ne pas utiliser cet outil pour d'autres tâches.
- Suivre les instructions de ce manuel. Respecter les symboles et les instructions de sécurité. Si l'opérateur ne respecte pas les instructions et les symboles, il pourrait en résulter des blessures, des dommages ou la mort.
- Ne pas jeter ce manuel. Utiliser les instructions pour assembler l'outil, le faire fonctionner et le conserver en bon état. Suivre les instructions pour l'installation correcte des équipements et accessoires. Utiliser uniquement des pièces et accessoires homologués.
- Ne pas utiliser l'outil s'il est endommagé. Respecter le calendrier d'entretien. N'effectuer que les travaux d'entretien prescrits dans ce manuel. Un centre agréé doit effectuer tous les autres travaux d'entretien.
- Ce manuel ne décrit pas toutes les situations qui peuvent se produire lorsqu'on utilise l'outil. Rester prudent et faire preuve de bon sens. Ne pas faire fonctionner l'outil ni effectuer un entretien sur l'outil si vous n'êtes pas sûr de la situation. Pour obtenir plus d'information, s'adresser à un spécialiste de l'outil, à votre revendeur, à un atelier de réparation ou à un centre de service après-vente agréé.
- Débrancher le câble d'allumage avant d'installer, de stocker ou de procéder à l'entretien de l'outil.
- Ne pas utiliser l'outil si des modifications contraires à ses caractéristiques initiales y ont été apportées. Ne pas modifier une partie de l'outil sans l'approbation du fabricant. Utiliser seulement des pièces homologuées par le fabricant. Des blessures graves ou mortelles peuvent résulter d'un entretien non adéquat.
- Ne pas respirer les vapeurs du moteur. L'inhalation à long terme des produits d'échappement du moteur représente un danger pour la santé.
- Ne pas démarrer l'outil dans un local clos ou à proximité de matériaux inflammables. Les gaz d'échappement sont très chauds et peuvent contenir des étincelles qui peuvent causer un incendie. Un débit d'air insuffisant peut entraîner des blessures ou la mort en raison d'une asphyxie ou du monoxyde de carbone.
- Lors de l'utilisation de ce produit, le moteur génère un champ électromagnétique. Le champ

électromagnétique peut endommager les implants médicaux. Parler à votre médecin et au fabricant de l'implant avant d'utiliser l'outil.

- Ne pas laisser un enfant utiliser l'outil. Ne pas laisser une personne utiliser le produit sans connaître les instructions.
- S'assurer de toujours surveiller les personnes avec des capacités physiques ou mentales réduites qui utilisent le produit. Un adulte responsable doit être présent à tout moment.
- Enfermer le produit dans un endroit verrouillé auquel les enfants et les personnes non autorisées ne peuvent pas accéder.
- Le produit peut projeter des objets et causer des blessures. Respecter les consignes de sécurité afin de réduire le risque de blessures graves ou mortelles.
- Ne pas s'éloigner de l'outil lorsque le moteur est sous tension.
- Tout accident avec cet outil engage la responsabilité de l'opérateur.
- Avant de reculer, regarder derrière et vers le bas pour vérifier la présence éventuelle de petits enfants, d'animaux ou autres risques de chute.
- Avant d'utiliser l'outil, vérifier que les pièces ne sont pas endommagées.
- S'assurer d'être à au moins 15 m (50 pi) d'autres personnes ou d'animaux avant d'utiliser le produit. S'assurer que toutes les personnes dans les environs immédiats sont informées que vous allez utiliser le produit.
- Consulter les lois nationales ou locales. Elles peuvent interdire ou limiter l'utilisation de l'outil dans certaines conditions.

Consignes de sécurité pour l'utilisation

- Ne pas placer les mains ou les pieds près ou sous les pièces en rotation. Toujours se tenir à l'écart de l'ouverture d'éjection.
- Faire preuve d'extrême prudence à proximité des routes, des allées ou des chemins en gravier. Faire attention aux dangers non évidents et à la circulation.
- Après avoir heurté un objet étranger, arrêter le moteur, enlever le câble de la bougie d'allumage (ou débrancher le fil des appareils électriques), bien inspecter le produit pour vérifier qu'il n'y a pas de dommage et réparer la défaillance avant de redémarrer et d'utiliser le produit.
- Si le produit se met à vibrer anormalement, arrêter le moteur et en rechercher immédiatement la cause. Les vibrations indiquent généralement l'existence de problèmes.
- Arrêter le moteur à chaque fois qu'on quitte la zone de travail, avant de débloquer la tarière ou le déflecteur de goulotte, et lorsqu'on effectue un réglage, une réparation ou une inspection de la machine.

- Lorsqu'on veut nettoyer, réparer ou inspecter le produit, arrêter le moteur et vérifier que les tarières et toutes les pièces en mouvement s'arrêtent. Débrancher le fil de la bougie et tenir le fil à l'écart de la bougie pour éviter tout démarrage accidentel.
- Ne pas mettre le moteur en marche à l'intérieur, sauf lors du démarrage du moteur et le transport du produit dans ou hors de l'immeuble. Ouvrir les portes; les gaz d'échappement du moteur sont dangereux.
- Faire preuve d'extrême prudence lorsqu'on travaille dans les pentes.
- Ne jamais faire fonctionner la machine sans ses grilles, plaques et autres dispositifs de protection en place et en bon état de fonctionnement.
- Ne jamais diriger le déflecteur de goulotte vers des personnes ou vers des endroits où les éventuelles projections pourraient causer des dégâts. Tenir les enfants et autres personnes à l'écart.
- Ne pas dépasser la capacité du produit en tentant de retirer la neige trop rapidement.
- Ne pas utiliser le produit à des vitesses trop élevées sur des surfaces glissantes. Lorsqu'on recule, regarder derrière soi et se déplacer lentement.
- Désengager l'alimentation des tarières lorsque le produit est en cours de transport quand il n'est pas en cours d'utilisation.
- Utiliser les appareils et accessoires approuvés par le fabricant du produit (tels que les poids de roue, contrepoids ou cabine).
- Ne jamais utiliser le produit sans une bonne visibilité ou lumière. Garder les pieds toujours bien d'aplomb sur le sol et tenir la poignée avec fermeté. Toujours marcher; ne jamais courir.
- Ne jamais toucher le moteur ou le silencieux quand il est chaud.
- Remplir le réservoir de carburant à l'extérieur avec une extrême prudence. Ne jamais faire l'appoint en essence à l'intérieur
- Ne jamais remplir des contenants de carburant à l'intérieur d'un véhicule ou sur la plateforme d'un camion ou d'une remorque avec une garniture en plastique. Toujours placer les contenants sur le sol loin d'un véhicule avant le remplissage.
- Autant que possible, retirer tout équipement à essence du camion ou de la remorque et faire le remplissage sur le sol. Quand cela n'est pas possible, faire le remplissage de tels équipements sur une remorque à l'aide d'un bidon portable plutôt qu'à l'aide d'un pistolet distributeur d'essence.
- Garder le pistolet distributeur en contact avec le bord du réservoir de carburant ou de l'ouverture du bidon à tout moment jusqu'à obtention du plein. Ne pas utiliser de dispositif à ouverture bloquée du pistolet distributeur.
- Remettre le bouchon de carburant solidement en place et nettoyer le carburant déversé.
- En cas de déversement de carburant sur les vêtements, changer immédiatement de vêtement.
- Utiliser rallonges et réceptacles conformes à celles spécifiées par le fabricant pour tous les appareils à moteur électrique ou à démarrage électrique.
- Régler la hauteur du carter de tarière afin d'éviter le gravier et les pierres en surface.
- Ne jamais essayer de faire des réglages pendant que le moteur est en marche (sauf là où spécifié par recommandation du fabricant).
- Toujours porter des lunettes ou un masque de protection pour les yeux pendant l'utilisation de la machine ou lorsqu'on effectue un réglage ou une réparation, de sorte à protéger les yeux en cas de projection de corps étrangers.

Sécurité de l'aire de travail

- Inspecter minutieusement l'endroit où l'équipement doit être utilisé et retirer tout paillason, traîneau, planche, fil ou autre objet.
- Désengager tous les embrayages et mettre au point mort avant de démarrer le moteur.
- Ne pas faire fonctionner le produit l'hiver sans porter des vêtements adéquats. Éviter les vêtements amples pouvant se prendre dans les pièces en mouvement. Le port de chaussures adéquates améliorera la stabilité sur des surfaces glissantes.
- Manipuler l'essence avec précaution, car elle est hautement inflammable.
 - Utiliser des récipients de carburant approuvés.
 - Ne jamais faire l'appoint en essence lorsque le moteur est en marche ou chaud.

Équipement de protection personnelle

Toujours s'équiper d'un équipement de protection personnelle approprié lors de l'utilisation de l'outil. Cela comprend, à tout le moins, des souliers résistants, des lunettes de sécurité et un protecteur auriculaire. Cet équipement de protection personnelle n'élimine pas les risques de blessures, mais peut réduire la gravité en cas d'accident.

- Toujours porter des lunettes de sécurité ou tout autre dispositif de protection des yeux lors de l'utilisation de l'outil ou des opérations d'entretien ou de réparations.
- Toujours porter des vêtements hiver approprié lorsqu'on fait fonctionner le produit.
- Utiliser toujours des bottes antidérapantes robustes qui offrent un bon support aux chevilles lors de l'utilisation du produit.

- Ne pas porter de vêtements amples pouvant se prendre dans les pièces en mouvement.
- Utiliser des gants de protection homologués, au besoin. Par exemple, lors de la fixation, de l'examen ou du nettoyage de la lame.
- Toujours utiliser un dispositif de protection homologué pour les oreilles lorsqu'on utilise la machine. Le fait d'entendre du bruit pendant une longue période peut engendrer une perte auditive.
- Ne pas démarrer l'outil s'il y a du carburant ou de l'huile moteur sur l'outil. Nettoyer le carburant ou l'huile et laisser sécher l'outil.
- Si du carburant se déverse sur les vêtements, changer immédiatement de vêtement.
- Ne pas déverser du carburant sur le corps; cela pourrait causer des blessures. Si du carburant se déverse sur le corps, se nettoyer au savon doux et à l'eau.
- Ne pas démarrer l'outil si le moteur présente une fuite. Vérifier régulièrement le moteur à la recherche de fuites.

Dispositifs de sécurité sur l'outil

- Faire régulièrement l'entretien sur le produit.
 - Cette précaution augmente la durée de vie utile du produit.
 - Cette précaution réduit le risque d'accident.
- Communiquer régulièrement avec un concessionnaire agréé ou à un centre de service après-vente agréé d'examiner le produit pour effectuer les réglages et les réparations.
- Ne pas utiliser un produit avec un équipement de protection endommagé. Si l'outil est endommagé, communiquer avec un centre de service après-vente agréé.
 - Faire preuve de prudence lors de la manipulation du carburant. Celui-ci est inflammable et ses vapeurs sont explosives et peuvent causer des blessures ou la mort.
 - Ne pas respirer les vapeurs de carburant, car elles peuvent causer des blessures. Vérifier que la ventilation est suffisante.
 - Ne pas fumer à proximité du carburant ou du moteur.
 - Ne pas placer des objets chauds à proximité du carburant ou du moteur.
 - Ne pas faire le plein de carburant lorsque le moteur tourne.
 - Vérifier que le moteur est froid avant de faire le plein.
 - Avant de faire le plein, ouvrir lentement le couvercle du réservoir de carburant et relâcher la pression avec précaution.
 - Ne pas faire le plein dans une pièce fermée. Un débit d'air insuffisant peut entraîner des blessures ou la mort en raison d'une asphyxie ou du monoxyde de carbone.
 - Serrer fermement le couvercle du réservoir de carburant. Si le couvercle du réservoir de carburant n'est pas bien serré, il y a un risque d'incendie.
 - Avant de démarrer l'outil, le déplacer à au moins 3 m (10 pi) de la position où le plein de carburant a été fait.
 - Ne pas mettre trop de carburant dans le réservoir de carburant.

Silencieux

Le silencieux maintient le niveau de bruit au minimum et dirige les gaz d'échappement loin de l'utilisateur.

Ne pas utiliser l'outil si le silencieux est manquant ou défectueux. Un silencieux défectueux augmente le niveau sonore et le risque d'incendie.

Examiner régulièrement le silencieux pour s'assurer qu'il est correctement raccordé et en bon état.



MISE EN GARDE : Le silencieux devient très chaud pendant et après utilisation et lorsque le moteur tourne au ralenti. Faire attention à proximité des matériaux inflammables ou des fumées afin d'éviter tout risque d'incendie.

Sécurité – carburant



AVERTISSEMENT : Lire les messages d'avertissement qui suivent avant d'utiliser l'outil.

Proposition 65

ATTENTION!

Les émissions du moteur de cet outil contiennent des produits chimiques qui, d'après l'État de Californie, peuvent causer le cancer, des malformations congénitales ou autre danger pour la reproduction.

Sécurité en matière de batteries



AVERTISSEMENT : Une batterie endommagée peut engendrer une explosion et des blessures. Si la batterie est détériorée ou endommagée, communiquer avec un agent d'entretien Husqvarna agréé.



AVERTISSEMENT : Lire les messages d'avertissement qui suivent avant d'utiliser l'outil.

- Utiliser des lunettes de protection en cas de présence à proximité des batteries.
- Ne pas porter des montres, des bijoux ou d'autres objets métalliques à côté de la batterie.
- Entreposer la batterie hors de portée des enfants.
- Charger la batterie dans un endroit avec une bonne ventilation.
- Conserver les matériaux inflammables à une distance minimale d'un mètre lors du chargement de la batterie.
- Mettre au rebut les batteries remplacées. Voir *Mise au rebut à la page 88*.
- Les gaz explosifs peuvent provenir de la batterie. Ne pas fumer à proximité de la batterie. Maintenir la batterie à l'écart de flammes nues et d'étincelles.

Proposition 65

ATTENTION!

Ce produit contient ou émet un produit chimique qui, d'après l'État de Californie, peuvent causer le cancer, des malformations congénitales ou autre danger pour la reproduction.

Proposition 65

ATTENTION!

Les cosses et les bornes de la batterie, ainsi que les accessoires connexes, contiennent du plomb et des composés de plomb, des produits chimiques reconnus par l'État de la Californie comme pouvant causer des cancers, des malformations du fœtus ou tout autre problème lié à la reproduction. Lavez-vous les mains après la manipulation.

Consignes de sécurité pour la maintenance



AVERTISSEMENT : Lire les messages d'avertissement qui suivent avant d'utiliser l'outil.

- Les gaz d'échappement du moteur contiennent du monoxyde de carbone, un gaz inodore, toxique et très dangereux. Ne pas démarrer le moteur à l'intérieur ou dans des espaces fermés.
- Avant d'effectuer un entretien sur le produit, arrêter le moteur et retirer le câble d'allumage de la bougie.
- Utiliser des gants de protection lors des opérations d'entretien sur le produit. Les lames sont affûtées et des coupures peuvent se produire facilement.
- Les accessoires et les modifications apportées au produit qui ne sont pas approuvés par le fabricant peuvent causer des blessures graves, voire mortelles. Ne pas modifier l'outil. Toujours utiliser des accessoires homologués par le fabricant.
- Si l'entretien n'est pas effectué correctement et régulièrement, le risque de blessures et de dommages sur l'outil augmente.
- N'effectuer que les travaux d'entretien indiqués dans ce manuel d'utilisation. Tous les autres travaux d'entretien doivent être effectués par un agent d'entretien agréé.
- Demander à un agent d'entretien agréé d'effectuer régulièrement l'entretien de l'outil.

- Remplacer les pièces endommagées, usées ou brisées.

Montage

Retrait du produit du carton

1. Retirer toutes les pièces desserrées incluses avec l'outil. Couper les quatre coins du carton et placer les panneaux d'extrémité à plat.
2. Retirer les deux vis qui fixent le carter de la tarière à la palette. Retirer les supports en acier des plaques de protection, le cas échéant.
3. Couper les attaches de câble qui maintiennent le produit à la palette et les retirer.
4. Retirer tous les matériaux d'emballage.
5. Retirer le produit du carton et s'assurer qu'aucune pièce libre n'est laissée dans le carton.

Pièces libres



Multi-clé (1)



Couvercle de goulotte d'éjection (1)



Clé ON/OFF (marche/arrêt)



Boulons de carrosserie 5/16-18 x 2 1/4 po (2)



Boutons de poignée (2)



Contre-écrou 3/8 (1)



Contre-écrou 3/18-16 (1)



(ST 424/427/430) Support de câble (1)



Goupilles de tonte 1/4-20 x 1,81 (6)



Contre-écrou 1/4-20 (6)



Contre-écrou 5/16-18 (1)



Contre-écrou 1/4-20 (1)



Rondelle en nylon(1)



Boulon de carrosserie 5/16-18 x 5/8 (1)



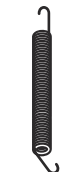
Goupille cylindrique (1)



Levier de déverrouillage (1)



Levier de la goulotte d'éjection



Ressort (1)



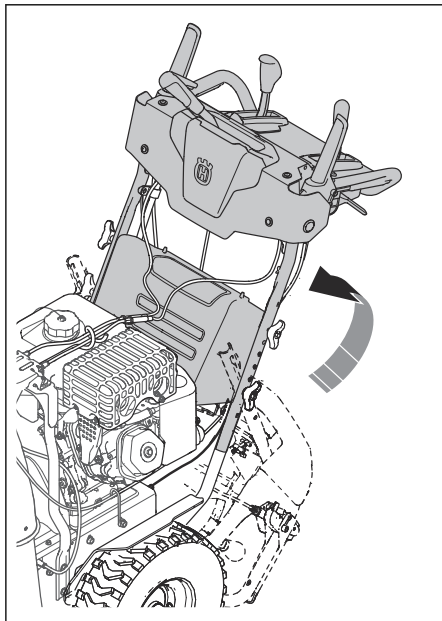
Boulon à épaulement 1/4-20 (1)

Outils nécessaires

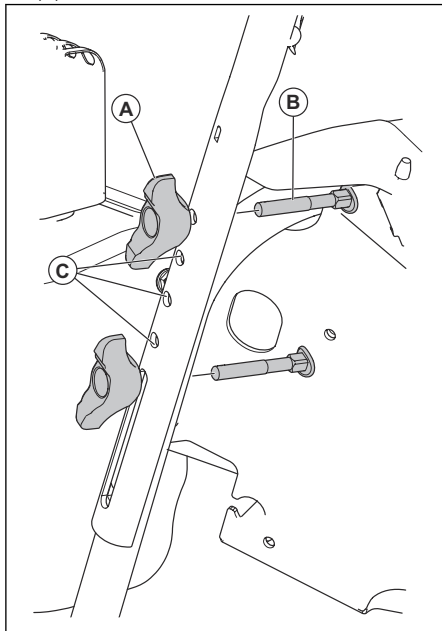
- Clé de 3/8 po (1)
- Clé de 7/16 po (1)
- Clé de 1/2 po (1)
- Douille profonde de 9/16 po (1)

Installation de la poignée

1. Soulever la poignée supérieure à la position d'utilisation.



2. Régler la position de la poignée à l'un des trous (C).

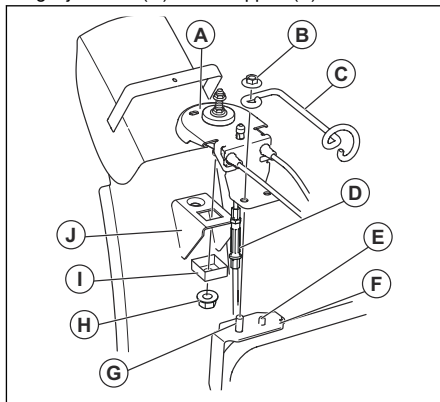


3. Insérer le boulon (B) à travers le trou (C).

4. Fixer le bouton (A) sur le boulon et serrer le bouton.
5. Fixer d'autres boulons de carrosserie (B) et boutons de poignée (A) pour fixer la poignée supérieure sur la poignée inférieure.

Installation de la goulotte d'éjection

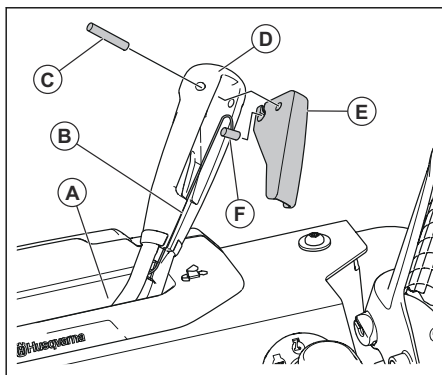
1. Placer l'ensemble du déflecteur de la goulotte d'éjection sur la partie supérieure de la goulotte d'éjection. L'ouverture d'éjection doit pointer vers l'avant de l'appareil.
2. Placer la tête du rotateur (A) sur le support de la goulotte d'éjection (B).
3. Aligner les goupilles sous la tête du rotateur avec les trous dans le support de la goulotte d'éjection.
4. Placer la tête du rotateur sur la goupille (E), et le goujon fileté (G) sur le support (E).



5. Fixer un contre-écrou (B) sur le goujon fileté et serrer.
6. Fixer la retenue carrée (I) à l'aide d'un contre-écrou (H).
7. Pour ST 424/427/430 uniquement : Placer les câbles à travers le support de câble (C)

Installation du levier de la goulotte d'éjection et du câble de déverrouillage

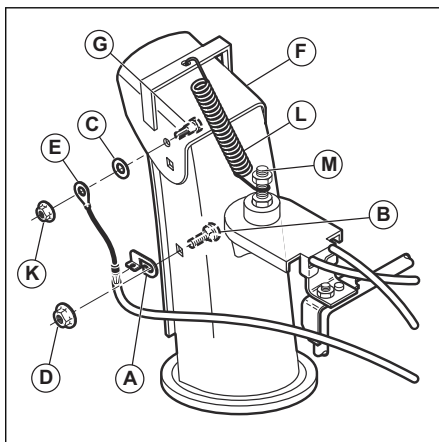
1. Pousser le bouton (D) vers le bas sur le levier de la goulotte d'éjection. Utiliser un maillet en caoutchouc si nécessaire.
2. Fixer le câble de déverrouillage sur le levier de la goulotte d'éjection au raccord (A).



3. Placer le câble de déverrouillage dans la rainure (B) sur le levier de la goulotte d'éjection.
4. Monter le raccord en seringue de câble (F) sur le levier de déverrouillage (E).
5. Installer le levier de déverrouillage (E) sur le levier de la goulotte d'éjection et le fixer avec la goupille cylindrique (C).
6. Régler le câble de déverrouillage. Voir *Réglage du câble de déverrouillage de la goulotte d'éjection à la page 83*.
7. Régler les câbles gauche et droit de la goulotte d'éjection. Voir *Réglage des câbles gauche et droit de la goulotte d'éjection à la page 83*.

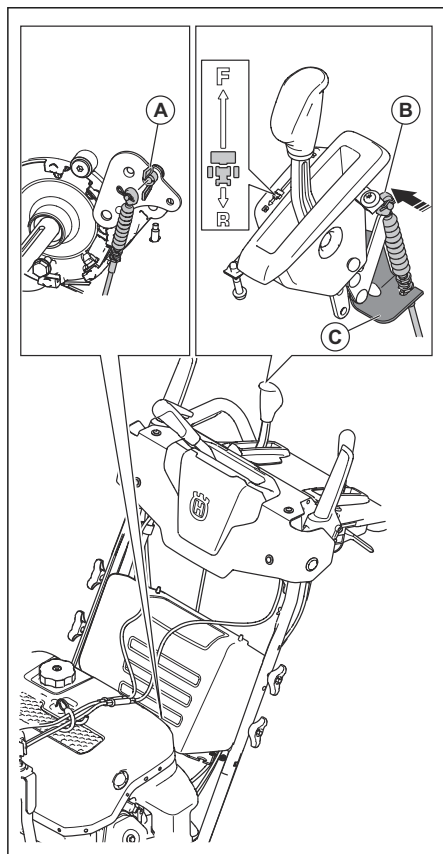
Installation de la commande à distance du déflecteur de la goulotte d'éjection

1. Fixer la console du câble (A) sur la goulotte d'éjection au moyen d'un boulon de carrosserie (B) et d'un contre-écrou 5/16-18 (D). Serrer le boulon.
2. Installer l'œillet du câble (E) sur le déflecteur de la goulotte d'éjection (F). Utiliser un boulon à épaulement (G), une rondelle en nylon (C), et serrez-les à l'aide d'un contre-écrou ¼-20 (K). L'œillet du câble ne sera pas serré sur le boulon à épaulement.
3. Fixer le ressort (L) entre l'écrou hexagonal (M) de la tête du rotateur et le trou sur le déflecteur de la goulotte d'éjection.



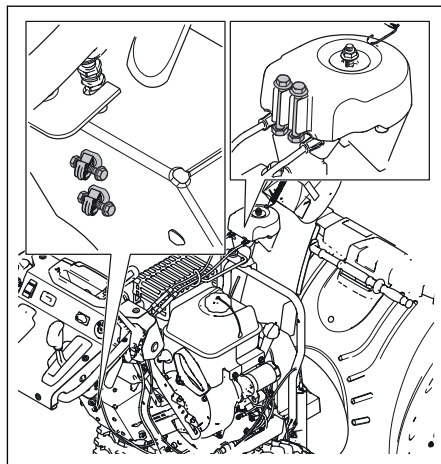
Installation du câble de commande de vitesse

1. Placer le levier de vitesse d'entraînement à la position neutre.
2. Fixer le câble de commande de vitesse (B) sur le levier de vitesse d'entraînement avec une goupille de fixation.
3. Fixer le câble de commande de vitesse sur le support (C) à l'aide de clés de 2 ½ po. Veiller à ce que le levier de vitesse de l'entraînement reste dans la position neutre.
4. Retirer la vis et l'écrou à ailettes (A) sur le levier coudé pour laisser le levier coudé se déplacer.



Fixation des goupilles de tonte de rechange

- Fixer les goupilles de tonte de rechange sur le couvercle de la commande à distance ou sur le boîtier de batterie.



Fonctionnement

Avant de démarrer le produit

- Tenir les personnes et les animaux à l'écart de la zone de travail.
- Effectuer l'entretien quotidien. Voir *Calendrier d'entretien à la page 74*.
- S'assurer que le câble d'allumage se loge correctement sur la bougie.
- Ajouter de l'huile ou de l'essence, au besoin. Voir *Faire le plein à la page 69*.

Remplissage du moteur avec de l'huile



MISE EN GARDE : Ne pas tourner la jauge d'huile lorsqu'on vérifie l'huile. Ne pas remplir au-dessus du repère.

1. Retirer le bouchon d'huile et nettoyer la jauge d'huile. Voir *Présentation de la machine à la page 59* pour l'emplacement de la jauge.

2. Remplir d'huile jusqu'à la marque supérieure de la jauge d'huile. Utiliser la jauge pour vérifier le niveau d'huile périodiquement.
3. Remettre le bouchon du réservoir d'huile en place.

Faire le plein

Si disponible, utiliser de l'essence à faibles émissions ou un alkylat. Si une essence à faibles émissions ou un alkylat n'est pas disponible, utiliser de l'essence sans plomb ou de l'essence au plomb de bonne qualité. Utiliser de l'essence avec un indice d'octane de 90 RON hors de l'Amérique du Nord (87 AKI en Amérique du Nord) ou plus élevé, et avec un maximum de 10 % d'éthanol (E10).

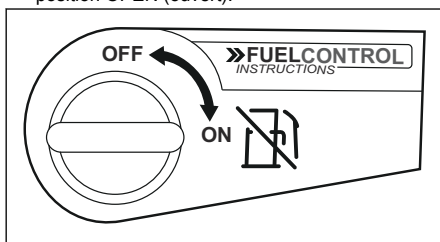


MISE EN GARDE : Ne pas utiliser d'essence avec un indice d'octane inférieur à 90 RON hors de l'Amérique du Nord (87 AKI en Amérique du Nord). Cela pourrait endommager le produit.

1. Ouvrir le bouchon du réservoir de carburant lentement pour libérer la pression.
2. Remplir le réservoir lentement avec un bidon de carburant. En cas de déversement de carburant, le nettoyer avec un chiffon et laisser le reste du carburant sécher.
3. Nettoyer la zone autour du bouchon du réservoir de carburant.
4. Serrer fermement le couvercle du réservoir de carburant. Si le couvercle du réservoir de carburant n'est pas bien serré, il y a un risque d'incendie.
5. Avant de démarrer l'outil, le déplacer à au moins 3 m (10 pi) de la position où le plein de carburant a été fait.

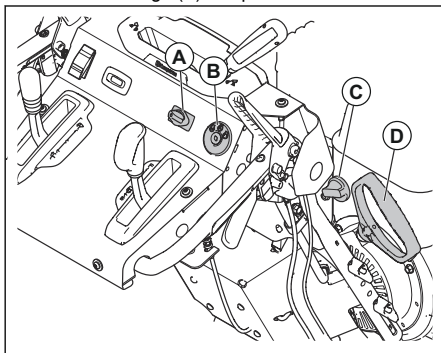
Utilisation du commutateur de carburant (pour ST 424/427/430 uniquement)

- Tourner le commutateur de carburant ou fermer le robinet de carburant. Utiliser le produit lorsque le commutateur de carburant se trouve à la position OPEN (ouvert).



Démarrage du moteur (manuel)

1. Placer la clé ON/OFF (marche/arrêt) (A) dans la fente d'allumage (B). Ne pas tourner la clé.



2. Pour ST 424/427/430 uniquement : Tourner le commutateur de marche/arrêt du carburant (C) à la position ON (marche).
3. Déplacer la commande d'accélération (A) à la position FAST (rapide).

4. Tourner la clé ON/OFF (marche/arrêt) à la position ON (marche).
5. Pour ST 424/427/430 uniquement : Si la température est inférieure à -17°C (0°F), appuyer trois fois sur la poire d'amorçage. Voir *Présentation de la machine à la page 59* pour l'emplacement de la poire d'amorçage.



MISE EN GARDE : Ne pas appuyer sur la poire d'amorçage à de trop nombreuses reprises. Cela peut nuire au démarrage du moteur. Si le moteur est noyé, attendre quelques minutes avant de tenter de nouveau de démarrer. Ne pas appuyer sur la poire d'amorçage.

6. Tirer la poignée à corde du lanceur (D).



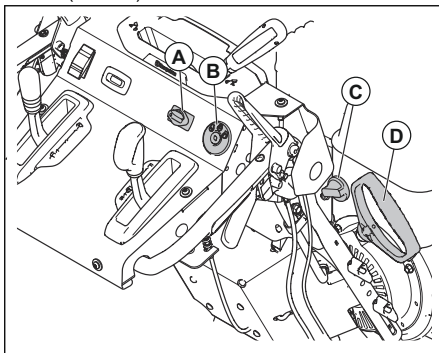
MISE EN GARDE : Ne pas relâcher brusquement la poignée du lanceur. La ramener délicatement à la position de départ.

Remarque : Si le câble du démarreur est gelé, tirer lentement le maximum possible de corde du lanceur. Tenir la poignée de poignée de la corde du lanceur. Si le moteur ne démarre pas, répéter la procédure ou utiliser le démarreur électrique.

7. Faire tourner le moteur 2 à 3 minutes au grand ralenti avant de commencer à projeter la neige.
8. Si le moteur ne démarre pas correctement, le couper.

Démarrage du moteur (électrique)

1. Placer la clé ON/OFF (marche/arrêt) (A) dans la fente d'allumage (B). Ne pas tourner la clé.
2. Pour ST 424/427/430 uniquement : Tourner le commutateur de marche/arrêt du carburant (C) à la position ON (marche).
3. Déplacer la commande d'accélération (A) à la position FAST (rapide).
4. Mettre l'interrupteur de marche/arrêt à la position ON (marche).



5. Pour ST 424/427/430 uniquement : Si la température est inférieure à -17°C (0°F), appuyer trois fois sur la poire d'amorçage. Voir *Présentation de la machine à la page 59* pour l'emplacement de la poire d'amorçage.



MISE EN GARDE : Ne pas appuyer sur la poire d'amorçage à de trop nombreuses reprises. Cela peut nuire au démarrage du moteur. Si le moteur est noyé, attendre quelques minutes avant de tenter de nouveau de démarrer. Ne pas appuyer sur la poire d'amorçage.

6. Tourner la clé ON/OFF (marche/arrêt) à la position START (démarrer). Quand le moteur démarre, relâcher la clé.



MISE EN GARDE : Ne pas utiliser le démarreur plus de cinq (5) secondes à la fois. Attendre 5 à 10 secondes entre chaque tentative.

7. Faire tourner le moteur 2 à 3 minutes au grand ralenti avant de commencer à projeter la neige.

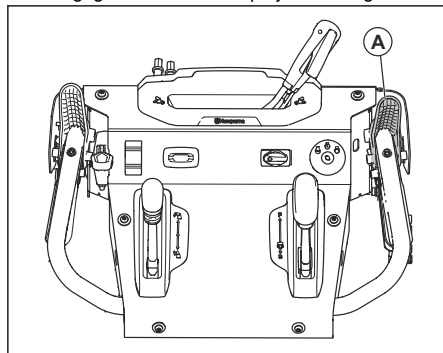
Utilisation de la machine



MISE EN GARDE : Ne pas engager partiellement les leviers d'entraînement ou de la tarière pendant une durée prolongée, car cela risque d'entraîner une usure prématurée des courroies.

Remarque : Lorsque l'engagement de l'entraînement et l'engagement de la tarière sont actionnés, l'engagement de l'entraînement verrouille la tarière en place. Utiliser la main droite pour manœuvrer la goulotte d'éjection à neige.

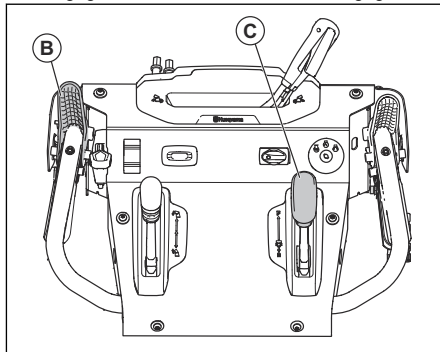
1. Pour engager les lames de la tarière, pousser sur la poignée d'engagement de la tarière afin d'engager la tarière et de projeter la neige.



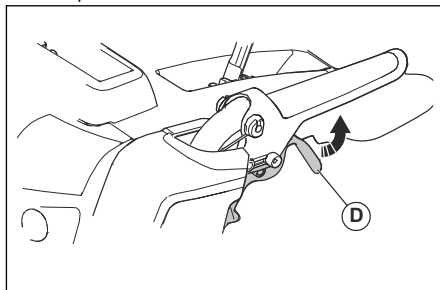
2. Relever le levier de commande de vitesse d'entraînement (C) de la position centrale afin que le produit puisse se déplacer vers l'avant

lorsque l'engagement de l'entraînement (B) est engagé.

3. Abaisser le levier de commande de vitesse d'entraînement de la position centrale afin que le produit puisse se déplacer vers l'arrière lorsque l'engagement de l'entraînement est engagé.



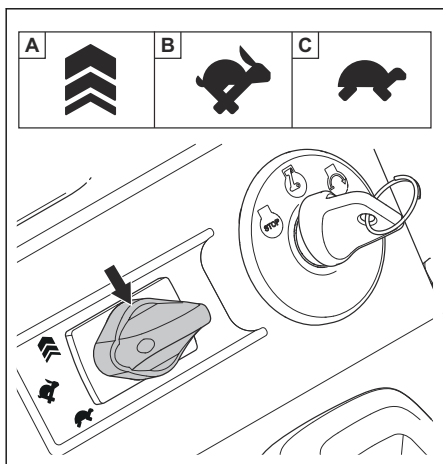
4. Pour que le produit se déplace dans la direction sélectionnée, maintenir l'engagement de l'entraînement contre la poignée.
5. Si le produit est équipé d'une direction assistée, maintenir le levier de direction gauche (D) pour tourner à gauche. Maintenir le levier de direction droit pour tourner à droite.



Commande d'accélérateur

Remarque : Si la neige est humide ou lourde, utiliser les modes rapide ou très rapide.

La commande d'accélérateur permet de modifier le régime du moteur. Trois modes sont possibles : très rapide, rapide et lent.



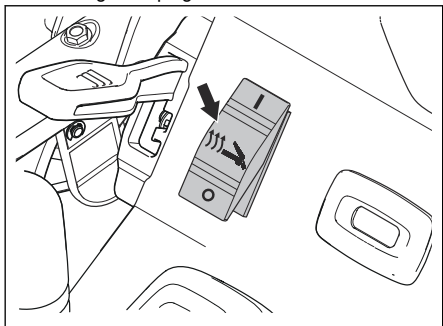
- Très rapide (A) : pour augmenter la vitesse lorsque le produit est utilisé, mais ne souffle pas de neige, ou pour augmenter la distance d'éjection de la neige.
- Rapide (B) : fonctionnement normal
- Lent (C) : pour diminuer la distance d'éjection de la neige ou pour réduire le bruit du moteur

Utilisation de la commande d'accélérateur

- Tourner la commande d'accélérateur pour modifier le régime du moteur.

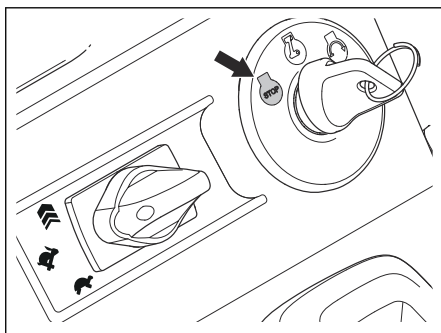
Utilisation des poignées chauffantes

- Placer le commutateur sur I pour démarrer le chauffage des poignées.
- Placer le commutateur sur O pour arrêter le chauffage des poignées.



Arrêt de la machine

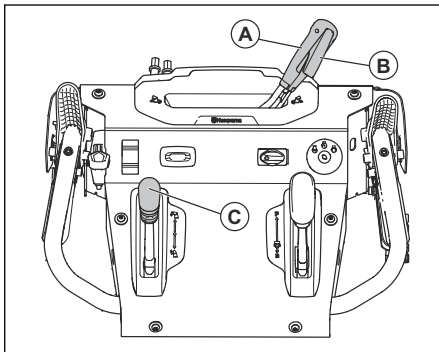
1. Tourner la clé de contact à la position STOP (ARRÊT).



2. Retirer la clé ON/OFF (marche/arrêt).

Réglage de la goulotte d'éjection et du déflecteur de la goulotte d'éjection

1. Pousser le levier de déverrouillage (B) sur le levier de la goulotte d'éjection (A) et régler la goulotte d'éjection vers la gauche ou vers la droite.



2. Déplacer le levier de commande à distance (C) pour régler la distance d'éjection de la neige.
 - a) Déplacer le levier de commande à distance vers le haut pour réduire la distance d'éjection de la neige.
 - b) Déplacer le levier de commande à distance vers le bas pour augmenter la distance d'éjection de la neige.

Réglage des plaques de protection

Les plaques de protection préviennent les dommages à la partie inférieure de la souffeuse à neige. Régler les plaques de protection (A) lorsque le contre-écrou (B) est desserré, ou si la plaque de protection n'est pas à la bonne distance du sol. Aucun réglage n'est nécessaire pour l'installation normale.

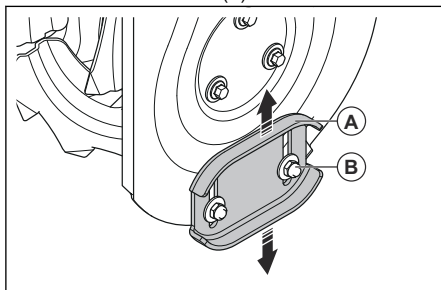
1. Desserrer le contre-écrou (B) à l'aide d'une clé plate de 13 mm (1/2 po).

2. Déplacer les plaques de protection (A) vers le haut ou vers le bas.
 - a) Sur des surfaces planes, régler la distance entre la barre de racleur et le sol à 5 à 6 mm (0,2 à 0,25 po).
 - b) Sur les surfaces rugueuses, régler les plaques de protection (A) de telle manière que la barre de racleur se situe au-dessus du haut du sol.



AVERTISSEMENT : Veiller à que du gravier et des pierres n'entrent pas dans le produit. Les objets éjectés à grande vitesse peuvent causer des blessures.

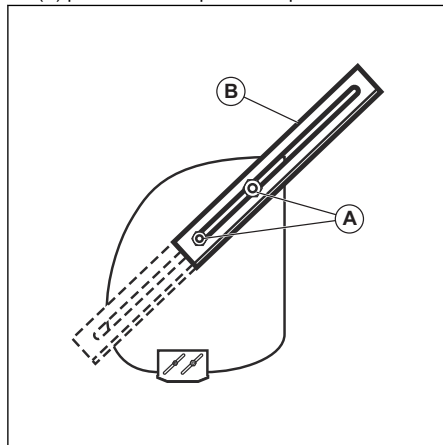
3. Serrer le contre-écrou (B).



Utilisation des coupe-bancs (selon équipement)

Utiliser les coupe-bancs pour couper plus profondément les bancs de neige, par rapport à l'avant du produit.

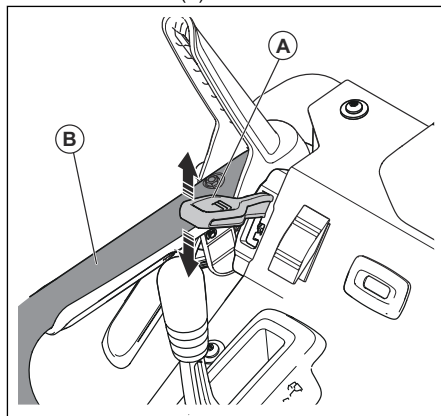
1. Desserrer les écrous de réglage (A) des deux côtés du produit afin que chaque barre de coupe (B) puisse être à la position la plus haute.



2. Serrer les écrous.
3. Abaisser les coupe-bancs après usage.

Réglage de la hauteur du godet à tarière (pour ST 424T/427T/430T uniquement)

1. Pousser le levier (A) vers le bas.



2. Déplacer les poignées (B) vers le haut ou vers le bas pour régler la hauteur du godet à tarière.
3. Relâcher le levier (A) pour bloquer le godet à tarière en position.

Remarque : Le godet à tarière peut être réglé dans une position déverrouillée. Cela permet au godet à tarière de s'adapter au terrain. Pour placer le godet à tarière en position déverrouillée, pousser le levier (A) vers le bas et vers la droite.

Prévention du gel après utilisation

Remarque : Les commandes et les pièces mobiles peuvent être bloquées par la glace. Ne pas appliquer une force excessive aux commandes. S'il n'est pas possible d'actionner une commande ou de manœuvrer une pièce, démarrer le moteur et le laisser fonctionner pendant quelques minutes.

1. Démarrer le moteur et le laisser tourner au ralenti pendant quelques minutes. Arrêter le moteur et attendre que toutes les pièces mobiles soient immobilisées.
2. Retirer la neige et les morceaux de glace du produit.
3. Retirer la neige et les morceaux de glace à la base de la goulotte d'éjection.
4. Tourner le déflecteur de la goulotte d'éjection vers la gauche et vers la droite pour enlever la glace et l'eau.
5. Mettre la clé à la position OFF (arrêt).
6. Si le produit n'est pas doté d'un démarreur électrique, tirer la poignée du lanceur à plusieurs reprises afin de retirer la glace et l'eau.

Pour obtenir un bon résultat

- Toujours faire tourner le moteur à plein régime ou presque à plein régime.
- Toujours adapter la vitesse du produit aux circonstances relatives à la neige et adapter la vitesse au moyen du levier de commande de vitesse d'entraînement. S'assurer que le produit projette la neige de façon uniforme.
- Il est plus facile et plus efficace d'éliminer la neige immédiatement après la chute.
- Toujours projeter la neige dans la direction du vent autant que possible.
- Sur les surfaces planes, comme les routes asphaltées, relever la barre de protection de 5 à 6 mm (de 0,2 à 0,25 po) à partir du sol.
- La barre de racleur est réversible. Quand elle est usée et s'approche de l'extrémité du carter, l'inverser. Remplacer la barre de racleur si elle est endommagée ou si les deux côtés sont usés.
- Ne pas régler le déflecteur de goulotte s'il est encrassé.
- Si le produit ne se déplace pas vers l'avant en raison de circonstances exceptionnelles, relâcher immédiatement l'engagement de l'entraînement ou tourner la clé ON/OFF (marche/arrêt) en position OFF (arrêt).

Entretien

Introduction

Lorsque le produit est en utilisation, les boulons peuvent se desserrer et des composants peuvent s'user. Cela peut entraîner un dysfonctionnement,

comme un mauvais espacement, une augmentation de la consommation d'huile ou un problème d'alignement de différents éléments. Procéder à un entretien régulier du produit afin d'éviter tout dysfonctionnement.

Calendrier d'entretien

Entretien	Quotidien	À intervalles de 15 heures	À intervalles de 20 heures	À intervalles de 40 heures	À intervalles de 100 heures
Serrer les écrous et les vis.	X				
Vérifier le niveau d'huile moteur	X				
Vidanger l'huile moteur			X		
Vérifier et régler la tension de la chenille (pour ST 424T/427T/430T uniquement)		X			
S'assurer qu'il n'y a pas de fuites de carburant ou d'huile	X				
Retirer les obstacles dans la tarière.	X				
Lubrifier les crans d'interrouillage ⁷			X		

⁷ Lubrifier également au début de chaque saison.

Entretien	Quotidien	À intervalles de 15 heures	À intervalles de 20 heures	À intervalles de 40 heures	À intervalles de 100 heures
Lubrifier les attaches de câbles ⁸			X		
Vérifier la pression des pneus (pour ST 424/427/430 uniquement) ⁹				X	
Inspecter et remplacer la bougie d'allumage avant l'usage au début de saison et à intervalles recommandés.					X

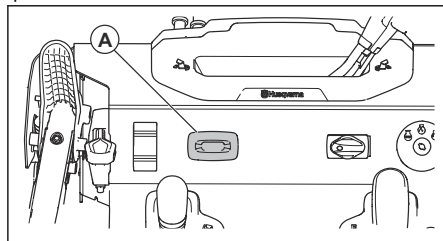
Remarque : La boîte de vitesse n'a pas besoin d'entretien.

Pour effectuer une inspection générale

- S'assurer que les écrous et les vis sur le produit sont serrés.

Rappel de changement d'huile

Le rappel de changement d'huile (A) est une fonction qui indique qu'un changement d'huile est nécessaire. Le rappel de changement d'huile allume le symbole de bidon d'huile sur l'écran après 20 heures de fonctionnement. Le symbole du bidon d'huile s'allume alors pendant 2 heures ou jusqu'à ce qu'une réinitialisation manuelle soit exécutée.



Réinitialisation du rappel de changement d'huile

1. Tourner la clé ON/OFF (marche/arrêt) à la position ON (marche) et la maintenir dans cette position pendant une seconde.
2. Tourner la clé ON/OFF (marche/arrêt) à la position STOP (arrêt) et la maintenir dans cette position pendant une seconde.

⁸ Lubrifier également au début de chaque saison.

⁹ Voir la section sur les caractéristiques techniques pour connaître la bonne pression des pneus.

3. Répéter cette procédure quatre (4) fois de plus.

Vérification du niveau d'huile



MISE EN GARDE : Un niveau d'huile trop faible peut causer des dommages au moteur. Vérifier le niveau d'huile avant d'utiliser le produit.

1. Placer le produit sur un sol plat.
2. Retirer le bouchon du réservoir d'huile avec la jauge d'huile.
3. Nettoyer l'huile sur la jauge d'huile.
4. Insérer entièrement la jauge dans le réservoir d'huile pour obtenir une estimation appropriée du niveau d'huile.
5. Retirer la jauge d'huile.
6. Examiner le niveau d'huile sur la jauge d'huile.
7. Si le niveau d'huile est trop bas, remplir avec de l'huile moteur et vérifier de nouveau le niveau d'huile.

Vidange de l'huile

1. Faire tourner le moteur quelques minutes pour faire chauffer l'huile. L'huile chaude s'écoule plus facilement et emporte avec elle plus de contaminants.



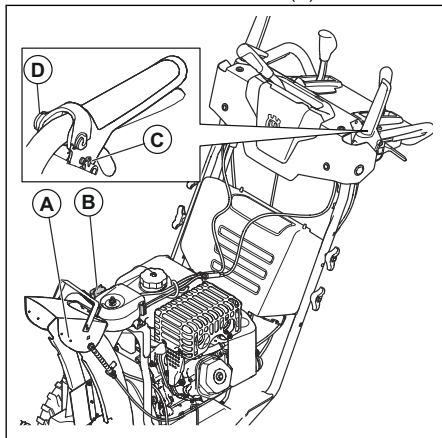
AVERTISSEMENT : L'huile moteur est chaude. Éviter tout contact entre la peau et l'huile moteur usagée.

2. Placer le produit sur un sol plat.
3. Retirer la clé ON/OFF (marche/arrêt).
4. Placer un récipient sous le bouchon de vidange d'huile.

5. Retirer le bouchon de vidange d'huile, basculer le produit et vidanger l'huile usagée dans le conteneur.
6. Replacer le produit à la position de fonctionnement.
7. Installer le bouchon de vidange d'huile et le serrer à la main.
8. Remplir le moteur d'huile, voir *Remplissage du moteur avec de l'huile à la page 69*.

Lubrification de la machine

- Lubrifier les points pivots (A) avec de l'huile.
- Lubrifier le moteur (B) avec de l'huile.
- Lubrifier les crans d'interverrouillage (C) avec une petite quantité de graisse au lithium.
- Lubrifier les raccords de câbles des leviers d'entraînement et de la tarière (D) avec de l'huile.



Batterie

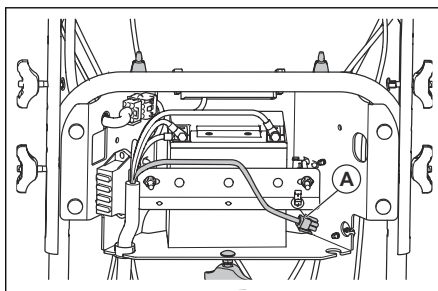
Entretien de la batterie

Remarque : La batterie de votre produit est de type sans entretien. Ne pas ouvrir ou retirer les capuchons ou les couvercles.

Pour charger la batterie

Remarque : Avant un entreposage de longue durée, charger la batterie avec un chargeur de batterie pour prolonger la durée de vie de la batterie.

1. Retirer le couvercle de batterie. Se reporter à la section *Remplacement de la batterie à la page 76*.
2. Nettoyer les bornes. Se reporter à la section *Nettoyage de la batterie et de ses bornes à la page 77*.
3. Brancher le chargeur de batterie au connecteur du chargeur de batterie (A).



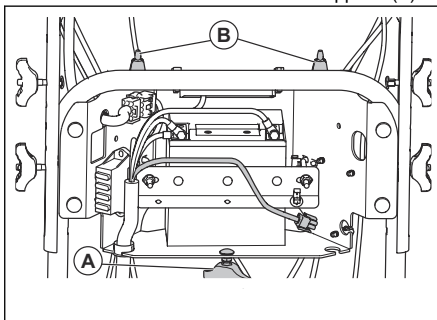
4. Lorsque la batterie est chargée, débranchez le chargeur de batterie.
5. Replacer le couvercle de batterie.

Remplacement de la batterie



AVERTISSEMENT : Risque de décharge électrique. Ne pas laisser des objets métalliques toucher les deux bornes de la batterie. Cela peut provoquer un court-circuit de la batterie.

1. Desserrer le bouton (A), puis basculer le bas du capot en direction du moteur. Soulever le couvercle de batterie hors de ses supports (B).



2. Débrancher le câble NOIR de la batterie.



AVERTISSEMENT : Il faut débrancher le câble NOIR en premier.

3. Débrancher le câble ROUGE de la batterie.
4. Desserrer les écrous et retirer la barre de retenue de la batterie.
5. Retirer prudemment la batterie de la machine.
6. Installer une nouvelle batterie.
7. Brancher le câble de batterie ROUGE et serrer le boulon.



AVERTISSEMENT : Risque de production d'étincelles. Le câble ROUGE doit être branché en premier.

8. Brancher le câble NOIR et serrer le boulon.

9. Remplacer le couvercle de batterie.

Nettoyage de la batterie et de ses bornes

1. Retirer la batterie. Se reporter à la section *Remplacement de la batterie à la page 76*.
2. Rincer la batterie à grande eau et la laisser sécher complètement.
3. Nettoyer les bornes et les cosses des câbles de la batterie à l'aide d'une brosse métallique jusqu'à ce qu'elles brillent.
4. Graisser les bornes avec de la graisse.
5. Installer la batterie. Voir *Remplacement de la batterie à la page 76*.
6. Remplacer le couvercle de batterie.

Silencieux

Le silencieux maintient le niveau de bruit au minimum et dirige les gaz d'échappement loin de l'utilisateur.

Ne pas utiliser l'outil si le silencieux est manquant ou défectueux. Un silencieux défectueux augmente le niveau sonore et le risque d'incendie.

Examiner régulièrement le silencieux pour s'assurer qu'il est correctement raccordé et en bon état.



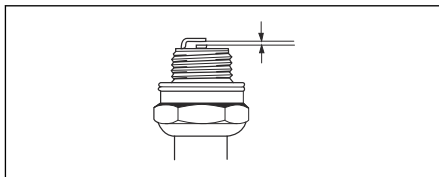
MISE EN GARDE : Le silencieux devient très chaud pendant et après utilisation et lorsque le moteur tourne au ralenti. Faire attention à proximité des matériaux inflammables ou des fumées afin d'éviter tout risque d'incendie.

Vérification de la bougie d'allumage



MISE EN GARDE : Toujours utiliser une bougie d'allumage du type recommandé. Une bougie d'allumage de type inapproprié peut endommager le produit.

- Examiner la bougie d'allumage si le moteur manque de puissance, démarre difficilement ou ne fonctionne pas correctement au régime de ralenti.
- Afin de réduire le risque de matériau indésirable sur les électrodes de la bougie, respecter les consignes suivantes :
 - a) Vérifier que le régime de ralenti est réglé de façon adéquate.
 - b) Vérifier que le mélange de carburant est correct.
 - c) Vérifier que le filtre à air est propre.
- Si la bougie d'allumage est sale, la nettoyer et s'assurer que l'écartement des électrodes est correct, voir la figure *Données techniques à la page 88*.



- Remplacer la bougie d'allumage au besoin.

Inspection des tarières et de la barre de racler

1. Avant chaque utilisation, vérifier la tarière et la barre de racler pour détecter tout signe d'usure.
2. Si le bord de la barre de racler est usé, inverser la barre de racler. Si la barre de racler est endommagée ou est usée des deux côtés, la remplacer.
3. Si les bords de la tarière sont usés, communiquer avec un centre de service agréé pour les remplacer.

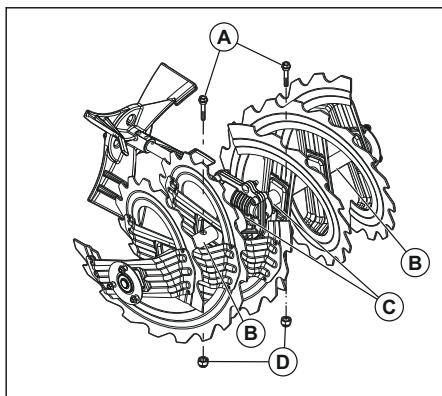
Remplacement des goupilles de tonte de la tarière

La goupille de tonte protège le produit contre les dommages. Les goupilles de tonte de la tarière peuvent se briser si un objet est inséré dans les pièces mobiles.



MISE EN GARDE : N'utiliser que les goupilles de tonte livrées avec le produit.

1. En cas de bris d'une goupille de tonte de la tarière, arrêter le moteur et attendre que les pièces mobiles soient immobiles.
2. Retirer la clé ON/OFF (marche/arrêt) et débrancher le câble d'allumage.
3. Aligner le trou du moyeu de la tarière (B) avec le trou dans l'arbre de la tarière (C) et installer une nouvelle goupille de tonte ¼-20 x 2 (A).
4. Installer un contre-écrou ¼-20 (D) sur la goupille de tonte et serrer.



5. Insérer la clé ON/OFF (marche/arrêt) dans le contact, puis brancher le câble d'allumage de la bougie.

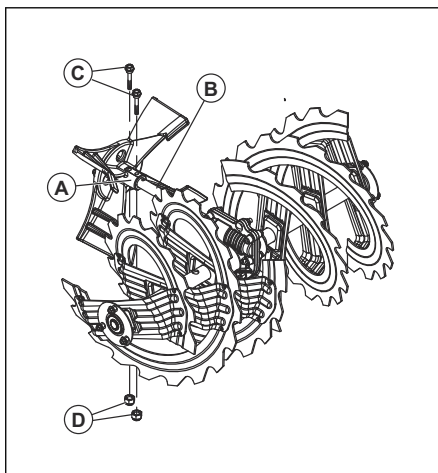
Remplacement des goupilles de tonte de la roue à ailette

La goupille de tonte de la roue à ailette protège le produit contre les dommages. Les goupilles de tonte de la roue à ailette peuvent se briser si un objet est inséré dans les pièces mobiles.



MISE EN GARDE : N'utiliser que les goupilles de tonte livrées avec le produit.

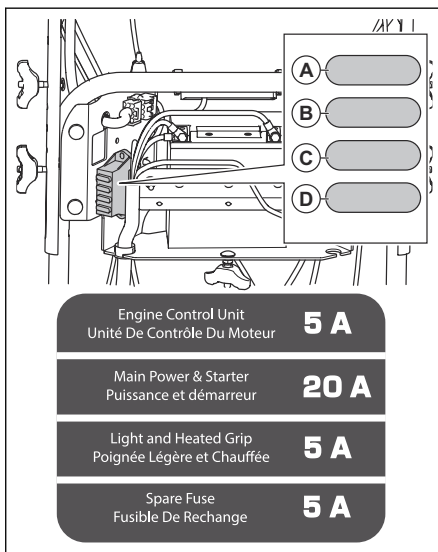
1. En cas de bris d'une goupille de tonte de la roue à ailette, arrêter le moteur et attendre que les pièces mobiles soient immobiles.
2. Retirer la clé ON/OFF (marche/arrêt) et débrancher le câble d'allumage.
3. Aligner le trou du moyeu de la roue à ailette (A) avec les trous de l'arbre de la roue à ailette (B) et installer une nouvelle goupille de tonte ¼-20 (C).
4. Installer un contre-écrou ¼-20 (D) sur la goupille de tonte et serrer.



5. Insérer la clé ON/OFF (marche/arrêt) dans le contact, puis brancher le câble d'allumage de la bougie.

Remplacement du fusible principal

Les porte-fusibles sont placés derrière le couvercle de la batterie.



- Remplacer le fusible de l'unité de commande moteur (A) à l'aide d'un fusible de 5 A.
- Remplacer le fusible du solénoïde du démarreur (B) à l'aide d'un fusible de 20 A.
- Remplacer le fusible de la DEL et de la poignée chauffante (C) par un fusible de 5 A.
- L'emplacement (D) contient un fusible de 5 A de remplacement.

Pour examiner les pneus

- Maintenir les pneus exempts de carburant et d'huile pour éviter d'endommager le caoutchouc.
- Maintenir les pneus à l'écart de souches, de pierres, d'ornières, d'objets pointus et de tout autre objet pouvant les endommager.
- Maintenir la pression correcte des pneus, voir *Données techniques à la page 88*.

Dégagement d'un déflecteur de goulotte d'éjection bouché

Ne pas déboucher le déflecteur de la goulotte d'éjection avant de réaliser les opérations suivantes.

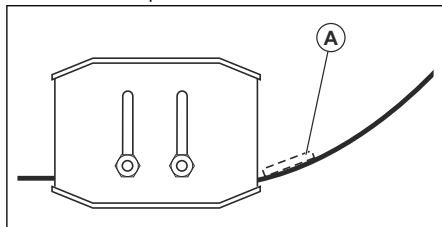
1. Relâcher simultanément l'engagement de la tarière et celui de l'entraînement.
2. Attendre 10 secondes pour s'assurer que les tarières sont arrêtées.
3. Mettre le produit hors tension.
4. Utiliser l'outil de nettoyage (au moins 37 cm [15 po] de long, inclus avec certains modèles) pour retirer l'obstruction.



AVERTISSEMENT : Ne pas placer les mains dans le déflecteur de la goulotte d'éjection ou à l'intérieur du godet à tarière.

Remplacement de la barre de racleur

1. Placer la barre de racleur (A) dans la position inversée lorsqu'elle est usée du côté du carter.



2. Remplacer la barre de racleur si elle est usée des deux côtés ou si elle est endommagée.

Courroies d'entraînement



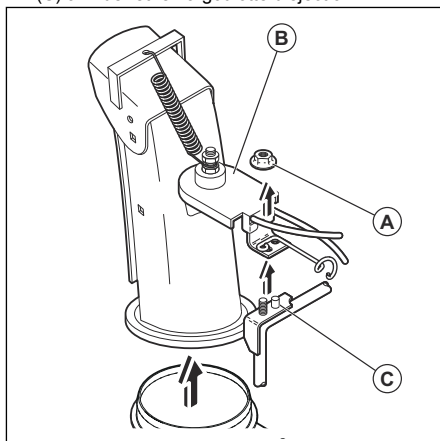
AVERTISSEMENT : Les courroies en V sont spécialement conçues pour le produit et doivent être remplacées par des pièces du fabricant d'origine disponibles auprès de votre centre de services le plus proche. L'utilisation de courroies autres que celles du fabricant d'origine peut causer des blessures personnelles ou endommager le produit.



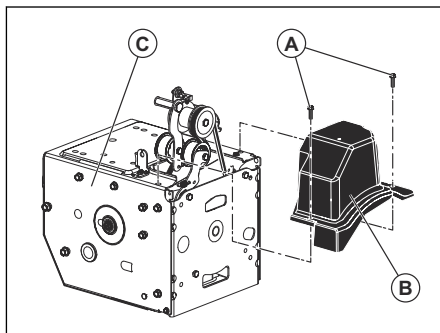
AVERTISSEMENT : Le remplacement de la courroie nécessite le démontage du produit. Pour séparer le carter de la tarière du châssis, il est important qu'un assistant se tienne debout dans la position de fonctionnement et qu'il tienne les poignées du produit. Des blessures corporelles graves ou un endommagement du produit pourraient se produire si le produit est échappé pendant le remplacement de la courroie.

Préparation du remplacement des courroies

1. Retirer le carburant du réservoir de carburant.
2. Desserrer le contre-écrou (A) qui fixe la tête du rotateur de goulotte (B) au support de montage (C) afin de retirer la goulotte d'éjection.



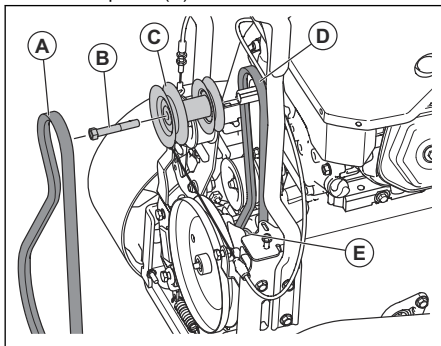
3. Desserrer les deux vis (A) qui maintiennent le carter de la courroie (B) sur le châssis (C) et enlever le carter de la courroie.



Retrait de la courroie d'entraînement

1. Retirer la courroie de la tarière (A). Voir *Retrait de la courroie de la tarière (pour ST 424/427/430 uniquement) à la page 80*.

2. Déposer le boulon de poulie de 9/16 po (B) et retirer la poulie (C) du moteur.



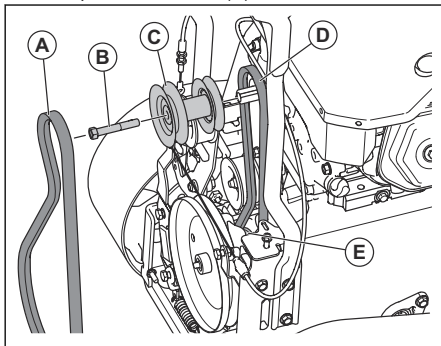
3. Retirer la courroie d'entraînement (D) de la poulie inférieure (E).

Installation de la courroie d'entraînement

1. Placer la courroie d'entraînement (H) sur la poulie inférieure (J).

Remarque : Veiller à positionner correctement la courroie dans la gorge de la poulie inférieure.

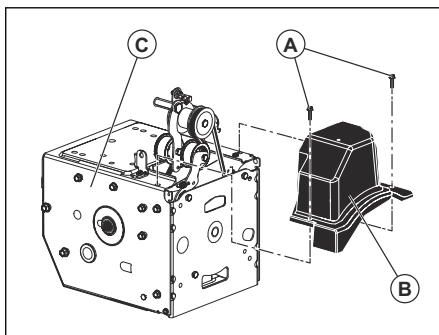
2. Placer la courroie d'entraînement dans la gorge de la poulie du moteur (C).



3. Installer le boulon de la poulie de 9/16 po (F) et fixer la poulie du moteur sur le moteur. Serrer le boulon de la poulie (41 à 47 Nm/30 à 35 pi.-lb).
4. Installer la courroie de la tarière (A). Voir *Installation de la courroie de tarière à la page 81*.
5. Actionner toutes les commandes pour s'assurer que la courroie d'entraînement est correctement installée et que tous les composants se déplacent correctement.

Installation du carter de la courroie

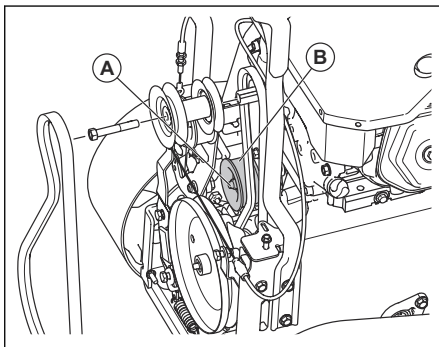
1. Installer le carter de la courroie (B) sur le châssis (C) et serrer les deux vis (A).



2. Installer la goutte de décharge.

Réglage de la tension de la courroie d'entraînement

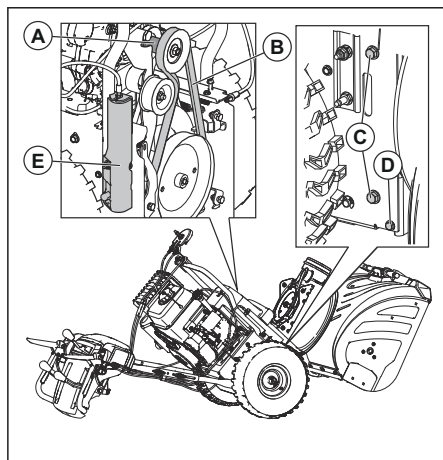
1. Retirer le carter de la courroie. Voir *Préparation du remplacement des courroies à la page 79*.
2. Desserrer l'écrou de la poulie folle (A).
3. Déplacer la poulie folle (B) dans la direction de la courroie pour augmenter la tension de la courroie. Éloigner la poulie de la courroie pour réduire la tension de la courroie.



4. Serrer l'écrou de la poulie folle (A).
5. Appuyer, puis relâcher le levier de commande de vitesse d'entraînement. Si la courroie d'entraînement est tendue lorsque le levier de commande de vitesse d'entraînement est relâché, déplacer le galet tendeur pour l'écarter de la courroie d'entraînement pour relâcher la tension de la courroie.
6. Installer le carter de la courroie. Voir *Installation du carter de la courroie à la page 80*.

Retrait de la courroie de la tarière (pour ST 424/427/430 uniquement)

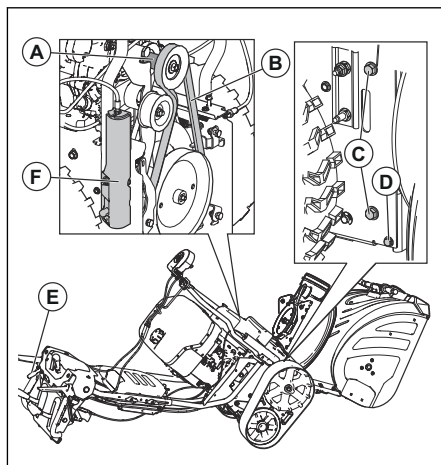
1. Déposer l'écrou 5/16 po et le cache-câble (E) du châssis.



2. Déposer les boulons 5/16 po supérieurs et les boulons ¼ po inférieurs (D) des 2 côtés du châssis. Conserver les boulons.
3. Desserrer, sans retirer, les boulons 5/16 po inférieurs (C) des 2 côtés du châssis.
4. Déposer la courroie de tarière (B) de la poulie du moteur (A).
5. Incliner la partie arrière vers le bas. La partie avant s'incline vers l'avant par la même occasion. Le boulon inférieur est une charnière entre les sections avant et arrière.
6. Placer une cale en bois sous le point de charnière afin de mettre le produit en position repliée.
7. Déplacer le levier de frein de la tarière et retirer la courroie de la tarière (B) du levier de frein de la tarière.

Retrait de la courroie de la tarière (pour ST 424T/427T/430T uniquement)

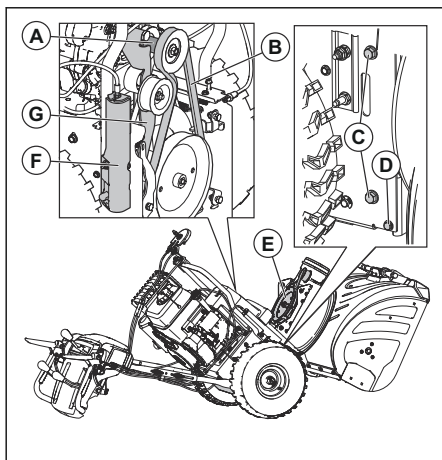
1. Déposer l'écrou 5/16 po et le cache-câble (E) du châssis.



2. Déposer les boulons 5/16 po supérieurs des 2 côtés du châssis. Conserver les boulons.
3. Déposer les boulons 5/16 po inférieurs (C) des 2 côtés du châssis.
4. Déposer la courroie de tarière (B) de la poulie du moteur (A).
5. Utiliser le levier de réglage du godet à tarière pour incliner la partie arrière vers le bas. La partie avant s'incline vers l'avant par la même occasion. Le boulon inférieur est une charnière entre les sections avant et arrière.
6. Placer une cale en bois sous le point de charnière afin de mettre le produit en position repliée.
7. Déplacer le levier de frein de la tarière et retirer la courroie de la tarière (B) du levier de frein de la tarière.

Installation de la courroie de tarière

1. Déplacer le levier de frein de la tarière (G). Placer la courroie de la tarière autour et dans la gorge de la poulie de la tarière (E).



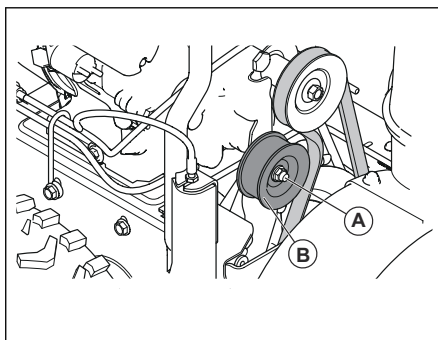
MISE EN GARDE : S'assurer que la courroie n'est pas coincée entre le châssis et le carter de la tarière lorsque vous assemblez l'unité.

- Retirer le bloc de bois à partir de la partie inférieure du produit.
- Tourner les poignées pour incliner la partie arrière vers le haut. La partie avant s'incline vers l'arrière et pivote pour fixer la partie arrière.
- S'assurer que la courroie est correctement positionnée dans la rainure de la poulie de la tarière (E).
- Installer les boulons 5/16 po (C) et serrer (de 11 à 16 Nm).
- Pour ST 424/427/430 uniquement : Installer les boulons ¼ po (D) et serrer (de 5 à 8 Nm).
- Installer la courroie de la tarière (B) sur la poulie du moteur (A). S'assurer que la courroie est correctement placée sur la poulie folle et correctement installée dans la rainure de la poulie du moteur.
- Installer le cache-câble (F) et l'écrou 5/16 po sur le châssis.
- Actionner toutes les commandes afin de s'assurer que la courroie de la tarière est correctement installée et que tous les composants se déplacent correctement.

Réglage de la tension de la courroie de la tarière

Remarque : Un assistant est nécessaire pour effectuer cette tâche.

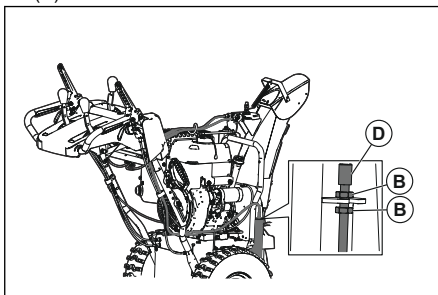
- Retirer le carter de la courroie. Voir *Préparation du remplacement des courroies à la page 79*.
- Desserrer l'écrou de la poulie folle (A).



- Placer la poulie folle (B) dans la direction de la courroie de la tarière pour augmenter la tension de la courroie. L'éloigner de la courroie de la tarière pour réduire la tension de la courroie.
- Serrer l'écrou de la poulie folle (A).
- Demander à un assistant de se tenir à 3 m (10 pi) à l'avant du produit pour surveiller le mouvement de la tarière.
- Pousser, puis relâcher l'engagement de tarière pour démarrer et arrêter la tarière.
- Mesurer le temps nécessaire pour que la tarière cesse tout mouvement. Si la tarière cesse de tourner après plus de 5 secondes, relâcher la tension de la courroie.
- Si la tarière cesse de tourner après moins de 5 secondes, installer le couvercle de la courroie. Voir *Installation du carter de la courroie à la page 80*.

Ajustement du câble de commande de la tarière

- Retirer le cache-câble du côté droit du châssis (D).



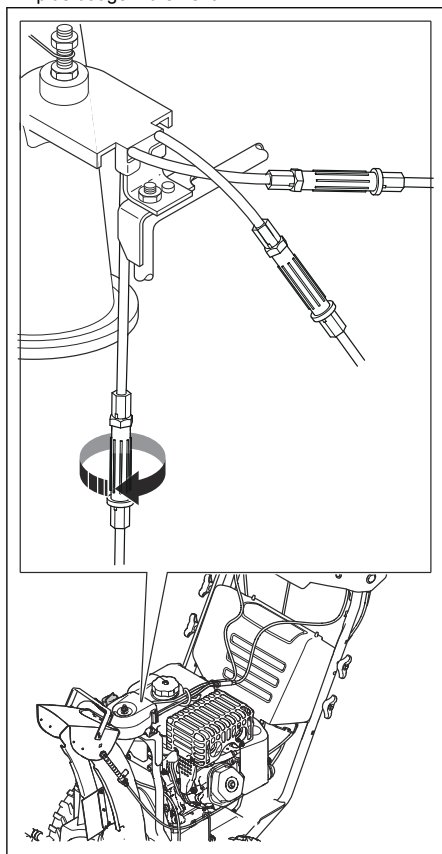
- Pour éliminer le mou du câble de commande de la tarière, dévisser l'écrou de blocage inférieur (B) et serrer l'écrou de blocage supérieur (B) jusqu'à ce que la tension de la courroie de la tarière soit adéquate.
- Redémarrer la tarière. Répéter le réglage, au besoin, jusqu'à ce qu'il ne reste seulement qu'un peu de mou dans le câble lorsque le levier est désengagé.

4. Serrer l'écrou de blocage inférieur afin de le verrouiller en tension.

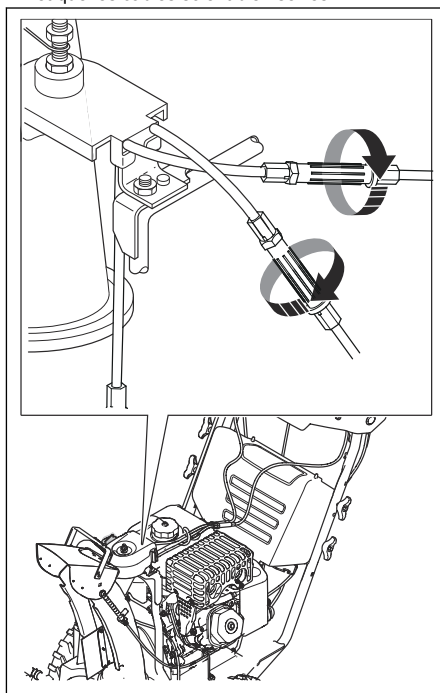
Remarque : Il est également possible de tendre la courroie de la tarière en ajustant la poulie folle comme une option secondaire. Si le réglage du câble ne règle pas le problème, remplacer la courroie de la tarière. Voir *Installation de la courroie de tarière à la page 81*.

Réglage du câble de déverrouillage de la goulotte d'éjection

1. Pour régler le câble de déverrouillage, tourner le réglage de câble jusqu'à ce que le levier de déverrouillage de la goulotte d'éjection ne puisse bouger librement.



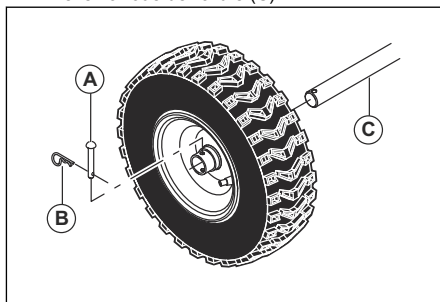
2. Tourner les réglers de câble jusqu'à ce que la goulotte d'éjection pointe tout droit vers l'avant, et que les câbles soient bien serrés.



3. Desserrer les réglers de câble d'un quart de tour pour libérer légèrement la tension des câbles.

Dépose des roues

1. Déposer l'axe de la roue (A) et l'axe de retenue (B).
2. Enlever la roue de l'arbre (C).



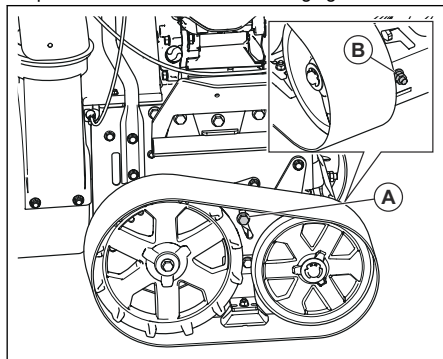
Réglage des câbles gauche et droit de la goulotte d'éjection

1. Placer le levier de la goulotte d'éjection en position centrale.

Réglage de la tension des chenilles continues (pour ST 424T/427T/430T uniquement)

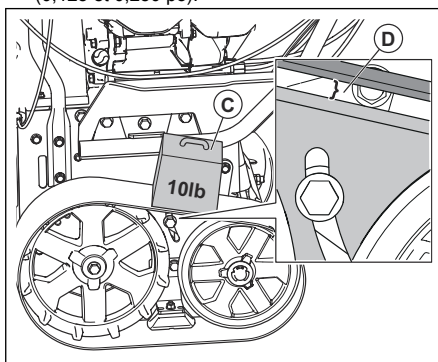
Remarque : Les outils nécessaires pour cette tâche : une douille profonde de 9/16 po, une clé de 9/16 po et un poids de 5 kg (10 lb).

1. Desserrer les vis de blocage (A) sur 1 tour.
2. Déposer le contre-écrou arrière (B) afin de permettre l'accès à l'écrou de réglage.



3. Placer un poids de 5 kg (10 lb) (C) sur le dessus de la chenille continue au centre entre les 2 roues.
4. Tourner l'écrou de réglage (B) jusqu'à ce que l'écart (D) entre la chenille continue et la plaque

d'acier soit compris entre 3,175 et 6,350 mm (0,125 et 0,250 po).



5. Fixer la vis de verrouillage (A), puis serrer le contre-écrou arrière (B).

Pour nettoyer l'outil

- Nettoyer les pièces en plastique à l'aide d'un chiffon propre et sec.
- Ne pas utiliser de nettoyeur à haute pression pour nettoyer la tondeuse.
- Ne pas verser de l'eau directement sur le moteur.
- Utiliser une brosse pour enlever les feuilles, l'herbe et la saleté.

Dépannage

Problème	Cause possible	Solution
L'outil ne démarre pas	La clé de démarrage de sécurité n'est pas insérée.	Insérer la clé de démarrage de sécurité.
	Le produit est en panne de carburant.	Remplir le réservoir de carburant avec de l'essence fraîche et propre.
	La clé ON/OFF (marche/arrêt) est à la position OFF (arrêt).	Placer la clé ON/OFF (marche/arrêt) à la position ON (marche).
	Le moteur n'est pas amorcé.	Amorcer le moteur.
	Le moteur est noyé.	Attendre quelques minutes avant de redémarrer, NE PAS purger. Redémarrer le moteur à plein régime avec le volet de départ à la position OFF (arrêt, fermé).
	Le fil de la bougie d'allumage n'est pas connecté.	Connecter le fil à la bougie d'allumage.
	La bougie d'allumage est défectueuse.	Remplacer la bougie d'allumage.
	Il y a de l'eau dans le carburant ou le carburant est trop vieux.	Vider le réservoir de carburant et le carburateur. Remplir le réservoir de carburant avec de l'essence fraîche et propre.
	Il y a de la vapeur dans la conduite de carburant.	S'assurer que toute la conduite d'alimentation en carburant est en dessous de la sortie du réservoir de carburant. La conduite d'alimentation en carburant doit fonctionner en permanence entre le réservoir de carburant et le carburateur.
	Autres causes.	Lire attentivement les méthodes de démarrage de ce manuel.
	Le commutateur de carburant (selon l'équipement) est à la position CLOSE (arrêt).	Placer le commutateur de démarrage du moteur à la position ON (marche).
	La commande d'accélération est à la position STOP (Arrêt).	Déplacer la commande d'accélérateur à la position FAST (Rapide).
	La batterie de démarrage n'est pas chargée.	Charger la batterie de démarrage.
	La batterie de démarrage doit être remplacée.	Remplacer la batterie de démarrage.
	Le module de commande du moteur n'est pas alimenté en tension.	Inspecter le fusible du module de commande du moteur et le câblage.
	Le solénoïde du démarreur ne s'engage pas.	Inspecter le fusible du démarreur et le câblage.
L'injecteur de carburant ne s'enclenche pas. (Pour ST 424T/427T/430T uniquement)	Communiquer avec un centre de réparation agréé.	
La pompe à carburant n'est pas alimentée en tension. (Pour ST 424T/427T/430T uniquement)	Communiquer avec un centre de réparation agréé.	

Problème	Cause possible	Solution
Puissance réduite	Le fil de la bougie d'allumage n'est pas connecté.	Connecter le fil à la bougie d'allumage.
	Le produit rejette trop de neige.	Réduire la vitesse et la largeur de l'andain.
	Le couvercle du réservoir de carburant est recouvert de glace ou de neige.	Retirer la glace et la neige sur et autour du couvercle du réservoir de carburant.
	Le silencieux est sale ou bouché.	Nettoyer ou remplacer le silencieux.
	Mauvaise longueur de câble.	Régler le câble.
	Le silencieux est obstrué.	Vérifier que le moteur est froid. Retirer l'obstruction.
	La prise d'air d'admission du carburateur est obstruée.	Vérifier que le moteur est froid. Retirer l'obstruction.
	L'injecteur de carburant ne s'enclenche pas.	Communiquer avec un centre de réparation agréé.
Le moteur tourne au ralenti ou ronfle	La conduite de carburant est obstruée.	Nettoyer la conduite de carburant.
	Il y a de l'eau dans le carburant ou le carburant est trop vieux.	Vider le réservoir de carburant et le carburateur. Remplir le réservoir de carburant avec de l'essence fraîche et propre.
	Le carburateur doit être remplacé.	Communiquer avec un centre de réparation agréé.
	L'injecteur de carburant ne s'enclenche pas.	Communiquer avec un centre de réparation agréé.
Vibrations/ Mouvements excessifs de la poignée	Certaines pièces sont desserrées. Les têtes sont endommagées.	Serrer tout le matériel de fixation. Remplacer les pièces endommagées. Si la vibration persiste, communiquer avec un centre de service agréé.
	Les poignées ne sont pas correctement positionnées.	Assurez-vous que les poignées sont verrouillées en position.
	Les écrous du levier de réglage sont desserrés.	Serrer les écrous jusqu'à ce que la poignée soit sécuritaire.
La poignée du lanceur est difficile à tirer	La poignée du lanceur est gelée.	Tirer autant que possible sur corde du lanceur, puis relâcher la poignée. Si le moteur ne démarre pas, répéter la procédure ou utiliser le démarreur électrique.
	La corde interfère avec les composants.	La corde du lanceur ne doit toucher aucun câble ni tuyau.

Problème	Cause possible	Solution
Perte de traction/ralentissement de la vitesse d'entraînement Perte de décharge ou ralentissement de la décharge de neige	La courroie glisse.	Régler le câble. Régler la courroie.
	La courroie est usée.	Vérifier/remplacer la courroie. Régler la poulie.
	La courroie est sortie de la poulie.	Vérifier/réinstaller la courroie. Régler la poulie.
	Le déflecteur de goulotte est obstrué.	Nettoyer le déflecteur de goulotte.
	Des corps étrangers obstruent les tarières.	Retirer les débris ou le corps étranger des tarières.
	La goupille de tonte est brisée.	Remplacer la goupille de tonte brisée.
	Accumulation excessive de neige et de glace entre les composants de la chenille continue.	Retirer la neige et la glace entre les composants de la chenille continue.
L'éclairage n'est pas aligné (selon l'équipement)	Le moteur ne tourne pas.	Démarrer le moteur.
	Le branchement du câble est desserré.	Vérifier les branchements électriques au niveau du moteur et des feux.
	La DEL est brûlée.	Remplacer le module d'éclairage à DEL. Il n'est pas possible de remplacer des DEL distinctes.
	Le fusible est grillé.	Remplacer le fusible. S'assurer qu'il n'y a pas de court-circuit.
Le rotateur de goulotte est difficile à déplacer	Il y a des débris dans le mécanisme du rotateur de goulotte.	Nettoyer la partie interne du mécanisme du rotateur de réception.
	Câbles déformés ou endommagés.	S'assurer que les câbles ne sont pas endommagés. Remplacer les câbles endommagés.
	Le câble de déverrouillage doit être réglé.	Régler le câble de déverrouillage.
Le produit tourne d'un seul côté	La pression des pneus n'est pas égale.	Régler la pression des pneus et gonfler le pneu.
	Le produit est entraîné par une seule roue.	Inspecter la goupille de blocage des pneus.
	Réglage irrégulier du traîneau.	Régler les plaques de protection et le traîneau.
	Réglage irrégulier des plaques de protection.	Régler les plaques de protection et le traîneau.

Transport, entreposage et mise au rebut

Transport et entreposage

- Pour le stockage et le transport du produit et du carburant, s'assurer qu'il n'y a pas de fuite ou de vapeur. Les étincelles ou les flammes nues, par exemple avec des appareils électriques ou des chaudières, peuvent démarrer un incendie.
- Utiliser toujours des contenants agréés pour entreposer ou transporter le carburant.
- Vider le réservoir de carburant avant de ranger le produit pour une période prolongée. Mettre au

rebut le carburant à un emplacement de mise au rebut adéquat

- Immobiliser le produit en sécurité pendant le transport pour éviter tout dommage ou accident.
- Garder le produit dans un endroit verrouillé hors de portée des enfants et des personnes non autorisées.
- Conserver le produit dans un endroit sec à l'abri du gel.

- Charger la batterie durant l'entreposage à long terme. Examiner et nettoyer les cosses de batterie avant l'entreposage à long terme.

service ou dans un emplacement de mise au rebut adéquat.

- Lorsqu'on n'utilise plus le produit, l'envoyer à un détaillant Husqvarna ou le mettre au rebut à un emplacement de recyclage.
- Éliminer la batterie dans un centre d'entretien ou la mettre au rebut dans un emplacement de mise au rebut des batteries usagées.

Mise au rebut

- Respecter les exigences locales en matière de recyclage et la réglementation en vigueur.
- Mettre au rebut tous les produits chimiques, tels que l'huile moteur ou l'antigel, dans un centre de

Données techniques

Données techniques

	ST 424	ST 427	ST 430	ST 424T	ST 427T	ST 430T
Dimensions						
Poids, réservoirs vides (kg)	140	145	150	160	165	170
Pression maximale de fonctionnement des pneus, en PSI	18	18	20	S.O.	S.O.	S.O.
Moteur						
Marque	Husqvarna	Husqvarna	Husqvarna	Husqvarna	Husqvarna	Husqvarna
Cylindrée, cm ³	291	369	414	306	369	420
Type de carburant	Régulier sans plomb (maximum 10 % d'éthanol)					
Contenance de carburant, gal/l	0,62 / 2,35	0,62 / 2,35	0,62 / 2,35	0,95 / 3,60	0,95 / 3,60	0,95 / 3,60
Type d'huile (API SJ-SN)	SAE 5W-30 (en dessous de 0 °C / 32 °F)					
Capacité du réservoir d'huile, oz liq/l	32 / 0,95	38 / 1,12	38 / 1,12	32 / 0,95	38 / 1,12	38 / 1,12
Système électrique						
Bougie d'allumage	F6RTC					
Écartement des électrodes des bougies (po/mm)	0,027 / 0,686					



www.husqvarna.com

Original instructions
Instrucciones originales
Instructions d'origine

114072349



2018-09-19