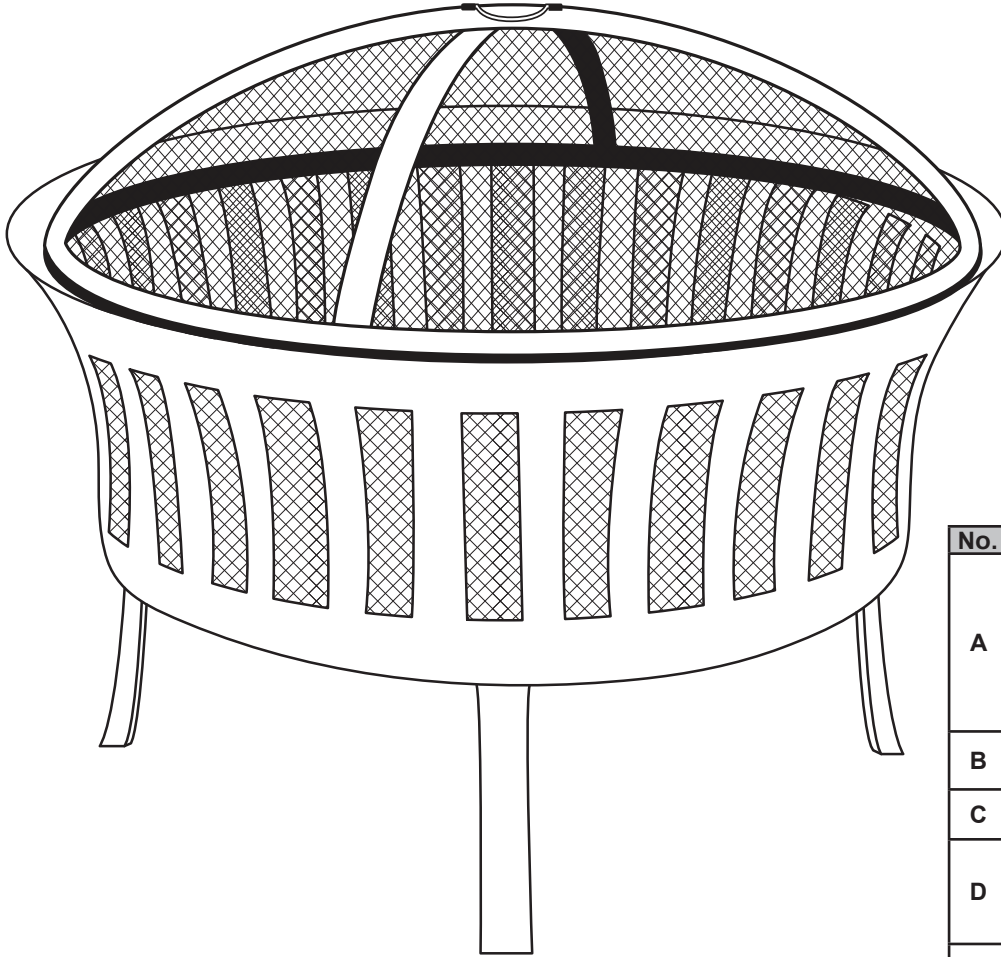


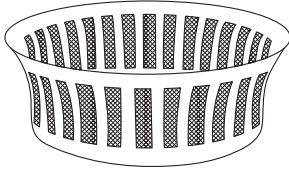


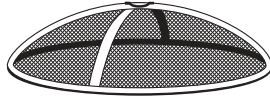

STRIPE CUTOUT FIRE PIT

NB-161

Read the assembly instructions carefully and follow the care instructions.
Assemble components on a soft, clean surface to avoid scratching or damaging the finish.



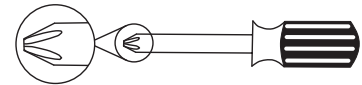
Inspect packaging to ensure all parts are accounted for before disposing of packing materials.

No.	PARTS	QTY.
A	 Fire Bowl	1
B	 Leg	4
C	 M6x8mm Bolt	12
D	 Spark Screen	1
E	 Poker	1

WARNING

CHOKING HAZARD — This item contains small parts that can be swallowed. Keep children away during assembly.

TOOLS REQUIRED (not included)



Phillips Screwdriver

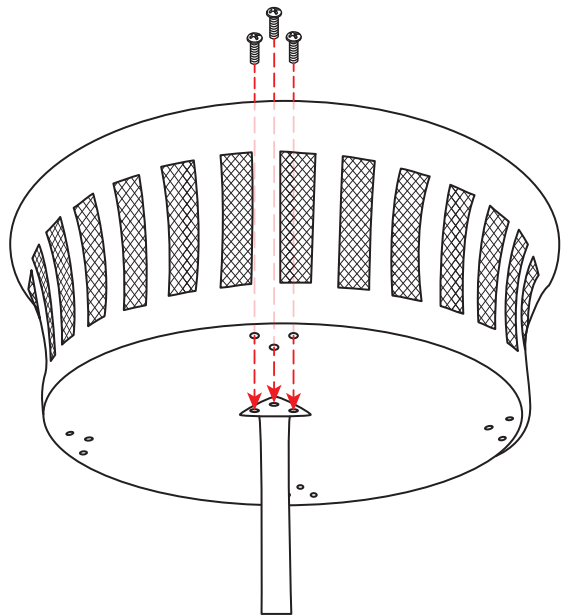
HELPFUL HINT

Sunnydaze Decor advises reading this manual fully, and assembling the item soon after purchase. Check that all parts are accounted for and familiarize yourself with the assembly before beginning.

Save this manual for future reference.

ASSEMBLY

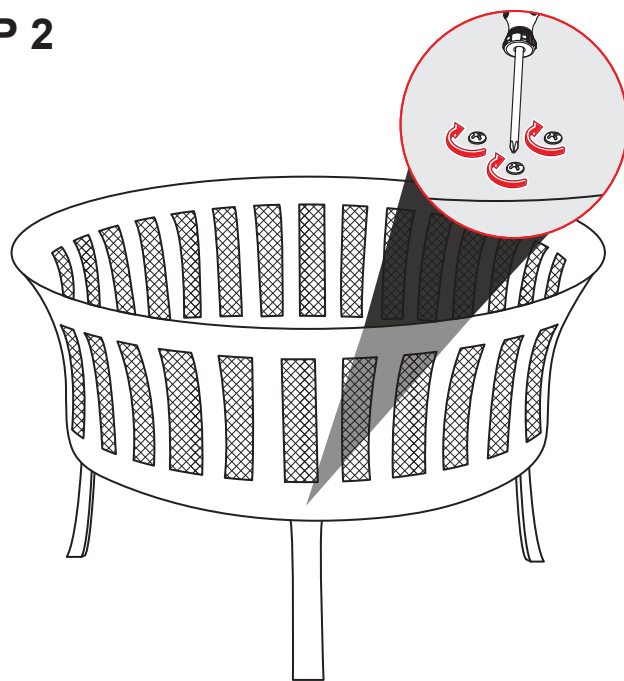
STEP 1



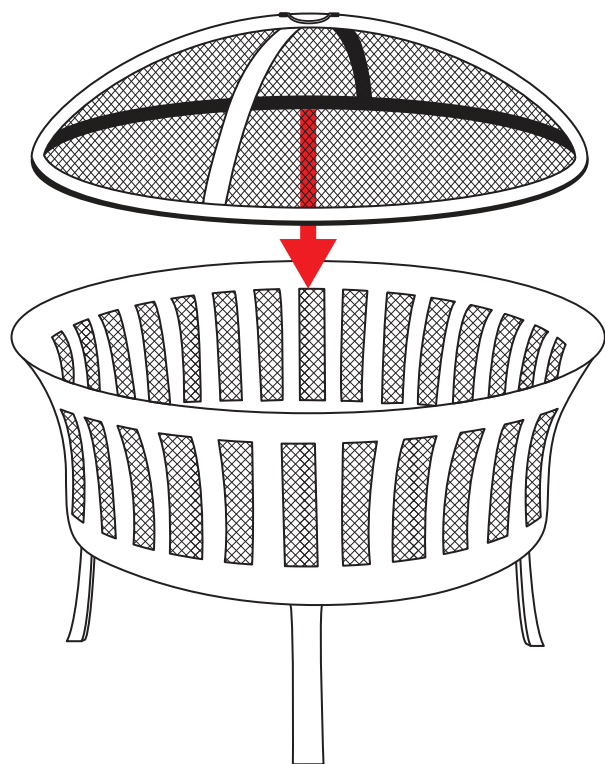
Align Leg (B) with the holes on the bottom of Fire Bowl (A). Thread 3x Bolt (C) through the fire bowl, into the leg.

Repeat this step with the remaining 3 legs.

STEP 2



Tighten all 12 bolts using a Phillips screwdriver (not included).



STEP 3

Place the spark screen onto the fire pit.

! HELPFUL HINT

When the fire pit is in use, the spark screen becomes very hot. Use the poker to safely remove and replace the spark screen when stoking the fire.

CARING FOR YOUR FIRE PIT

USE ON A SAFE SURFACE: Always use fire pits on a level, non-combustible surface; do not use on a wood deck or any other combustible surfaces like dry grass, leaves, mulch, etc. Always ensure fire pits are a safe distance from combustible structures such as fences, garages, homes, etc.

AVOID ACCELERANTS: Never use accelerants to start a fire; this is dangerous and can damage the fire pit.

AVOID PLASTIC: Never burn or use any plastic materials in or near a fire pit. Plastic emits toxic fumes when burned, and the residue is difficult to remove once melted on fire pit surfaces.

EXTINGUISH: Always let fires die down gradually. Do not use water to extinguish a fire as doing so can create steam that may scald or cause other serious injuries. Additionally, the sudden drop in temperature from extinguishing a fire with water may cause the metal to crack. Damages caused by extinguishing a fire inappropriately is not covered under warranty.

CLEAN REGULARLY: All fire pits must be cleaned and inspected periodically. Cleaning ash out of the fire pit before each use is highly recommended. Never allow ash to accumulate in the bowl.

CLEAN SAFELY: Before attempting to clean any fire pit, make sure the fire has completely died down and all embers are fully extinguished. If ashes are still hot, using sand to extinguish is highly recommended. Never use water to extinguish a fire as doing so may result in serious injuries and could permanently damage the fire pit.

COVER AND STORE: If the fire pit is not used for an extended period of time, cover and store it in a dry location. Do not allow the fire pit to be exposed to water. The manufacturer is not liable for rust due to weather conditions.

SAFETY STATEMENTS & WARNINGS

- For outdoor use only. Never use a fire pit in an enclosed area.
- Always follow local laws and regulations when using a wood-burning fire pit.
- Exercise the same care and precautions as you would with an open fire.
- Keep unit a safe distance away from buildings, balconies, or overhangs when in use.
- Only use this fire pit on a level, non-combustible surface.
- Do not use on or near combustible surfaces or structures including, but not limited to, wood decks, dry leaves or grass, mulch, vinyl or wood siding, etc.
- Keep away from combustible materials including gasoline and other flammable liquids and vapors.
- Never use accelerants such as, but not limited to, gasoline, alcohol, paint thinners, kerosene, as this may cause serious injury or product damage.
- The fire pit becomes very hot when in use; ensure the metal and ashes are completely cool before cleaning or moving the pit.
- Do not overfill or use this unit to burn leaves or trash.
- Avoid using any fire pit during dry or windy conditions.
- Never leave a fire pit unattended while hot or in use.
- Keep out of reach of children. Supervise children and pets when the fire pit is in use.
- DO NOT USE CHEMICAL-BASED CLEANERS, as this may damage the product and/or ignite a flame during the next use.
- Extinguish the fire properly before leaving the pit unattended. If necessary, use a bucket of sand to smother the fire. Do not use water to extinguish hot fires or embers as this may cause serious injury and may damage the product.
- Ashes can remain hot for a long time after fire is extinguished. Dispose of cold ashes properly.
- Ensure the unit is completely cool before covering; failure to do so will damage the cover (not included) and the unit.

Any modification to the product or failure to follow recommended care will void the product warranty.

WARNING!

Manufacturer and seller expressly disclaim any and all liability from personal injury, property damage or loss, whether direct or indirect, or incidental, resulting from the incorrect attachment, improper use, inadequate maintenance, or neglect of this product.