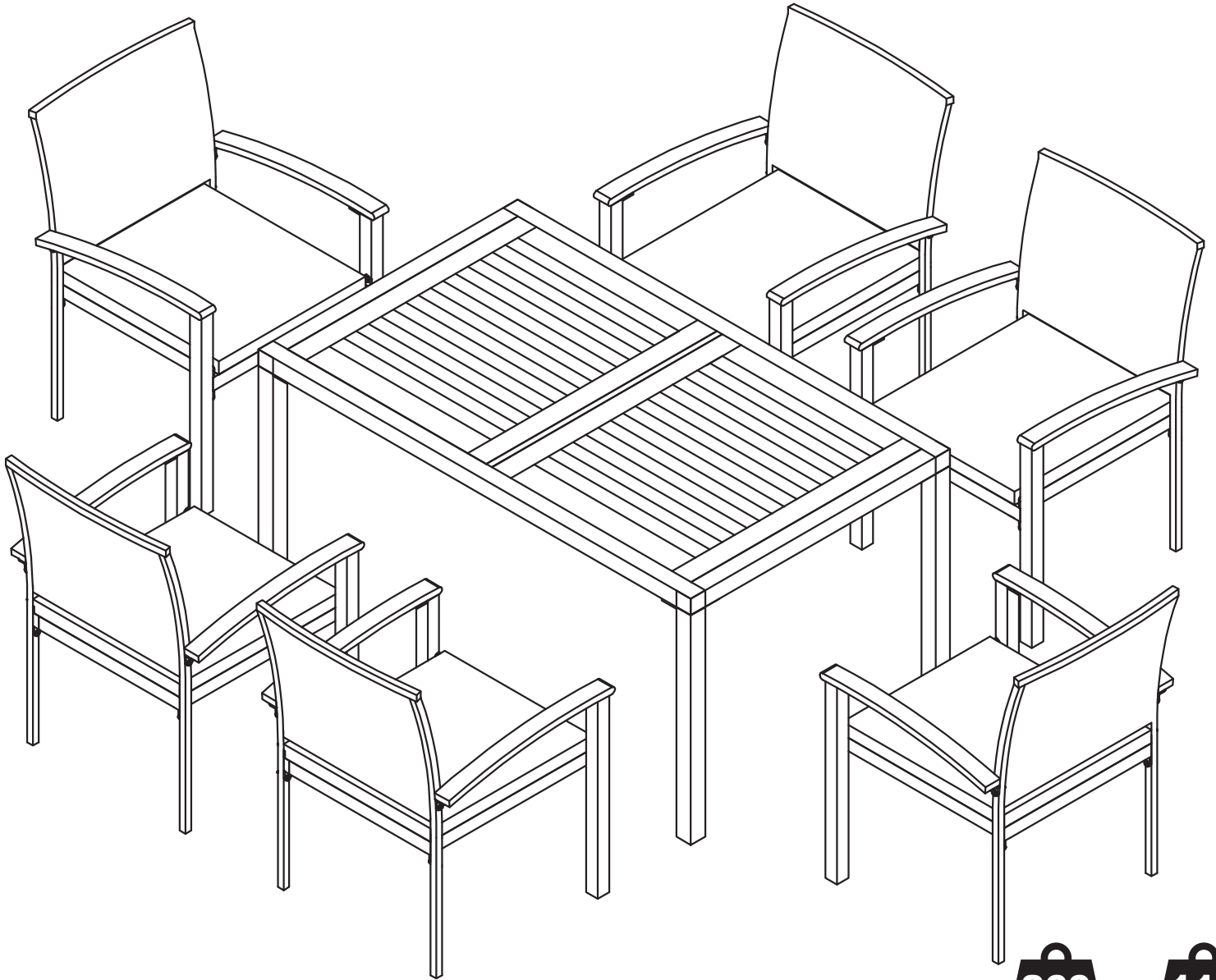


# CARLOW 7-PIECE RESIN WICKER PATIO DINING SET



2-PERSON  
ASSEMBLY  
RECOMMENDED

**260**  
pounds  
118 kg

Chair  
Weight Capacity

**110**  
pounds  
50 kg

Table  
Weight Capacity



**SCAN THIS  
CODE WITH A  
SMARTPHONE  
TO VIEW OUR  
ASSEMBLY  
VIDEO**



## HELPFUL HINT

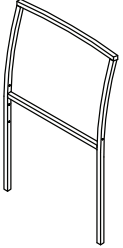
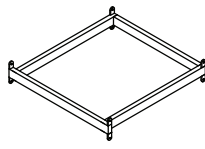


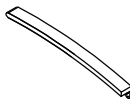
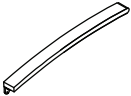
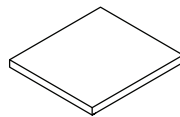
Sunnydaze Decor advises reading this manual fully, and assembling the furniture set soon after purchase. Check that all parts are accounted for and familiarize yourself with the assembly before beginning. Save this manual for future reference.



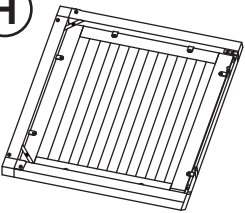
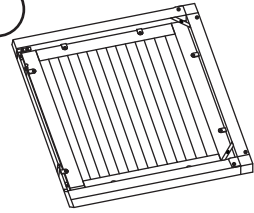


# COMPONENTS

Inspect packaging to ensure all parts are accounted for before disposing of packing materials. Save the packing slip.






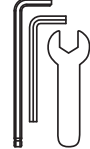
## CHAIR

 <p><b>A</b></p> <p>Chair Back Qty. 6</p>	 <p><b>B</b></p> <p>Seat Qty. 6</p>	 <p><b>C</b></p> <p>Right Chair Leg Qty. 6</p>	 <p><b>D</b></p> <p>Left Chair Leg Qty. 6</p>	 <p><b>E</b></p> <p>Left Armrest Qty. 6</p>
 <p><b>F</b></p> <p>Right Armrest Qty. 6</p>	 <p><b>G</b></p> <p>Seat Cushion Qty. 6</p>			

## TABLE

 <p><b>H</b></p> <p>Tabletop Qty. 1</p>	 <p><b>I</b></p> <p>Tabletop Qty. 1</p>	 <p><b>J</b></p> <p>Leg Qty. 4</p>	 <p><b>K</b></p> <p>Bracket Qty. 2</p>		
---	--	---	---	--	--

## HARDWARE WARNING! CHOKING HAZARD — Small parts. Keep children and pets away during assembly.

 <p><b>1</b></p> <p>M6x20mm Bolt Qty. 74</p>	 <p><b>2</b></p> <p>M6x15mm Bolt Qty. 20</p>	 <p><b>3</b></p> <p>M6 Washer Qty. 96</p>	 <p><b>4</b></p> <p>M6 Nut Qty. 2</p>	 <p><b>5</b></p> <p>Plastic Washer Qty. 6</p>	 <p><b>6</b></p> <p>Included Tools Qty. 3</p>
---	---	--	--	--	--

**HELPFUL HINT:** Do not tighten hardware until all components have been loosely assembled. If the hardware is tightened too soon, mounting holes may not align, and parts may not easily fit together.

# INDIVIDUAL CHAIR ASSEMBLY

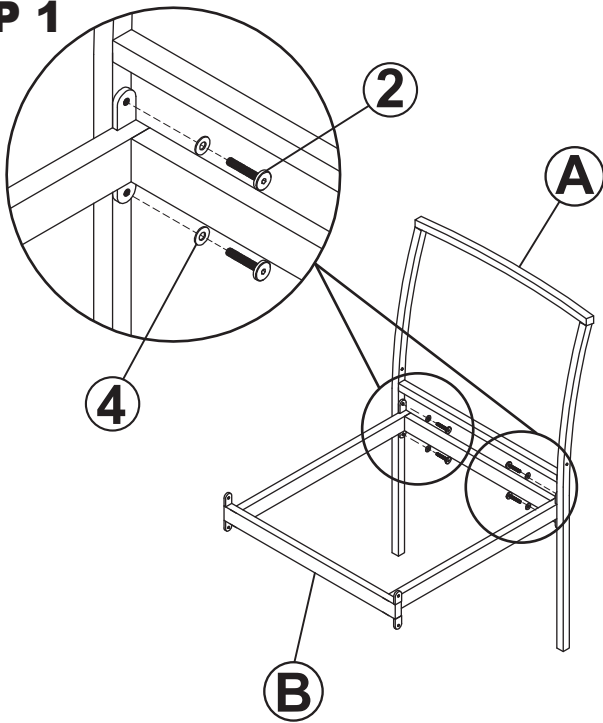
## STEP 1

A: 1

B: 1

2: 4

4: 4



Do not fully tighten hardware until after Step 3 is complete.

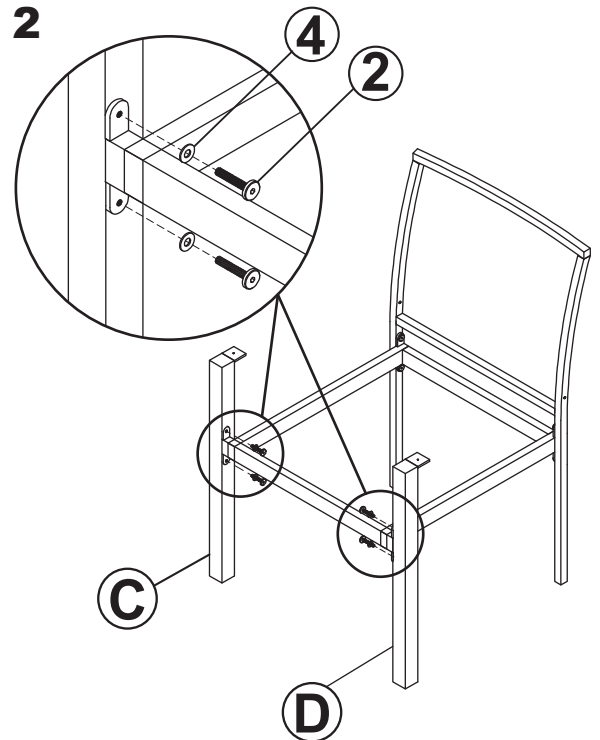
## STEP 2

C: 1

D: 1

2: 4

4: 4



Do not fully tighten hardware until after Step 3 is complete.

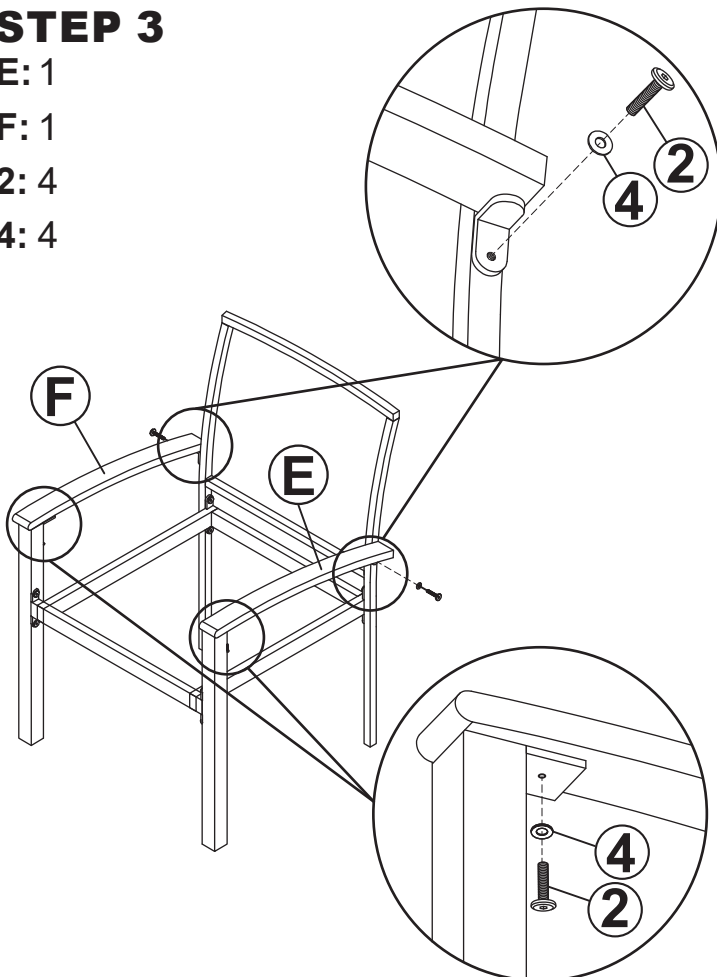
## STEP 3

E: 1

F: 1

2: 4

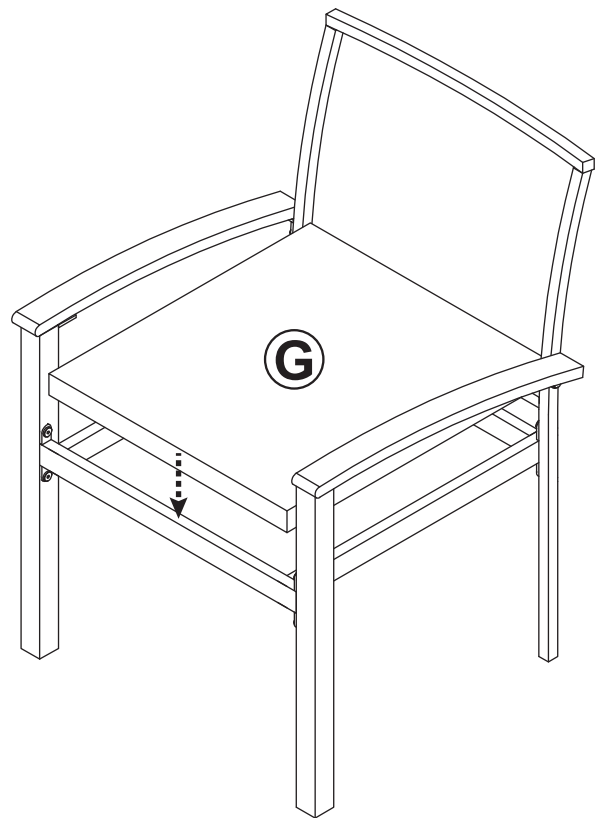
4: 4



Do not fully tighten hardware until all components in this step have been connected.

## STEP 4

G: 1



# TABLE ASSEMBLY

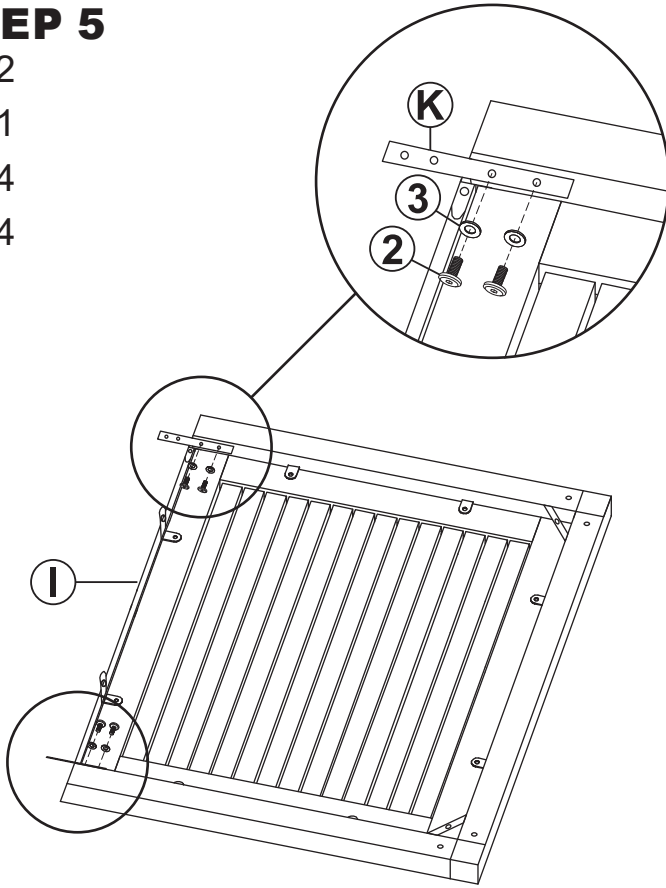
## STEP 5

K: 2

I: 1

2: 4

3: 4

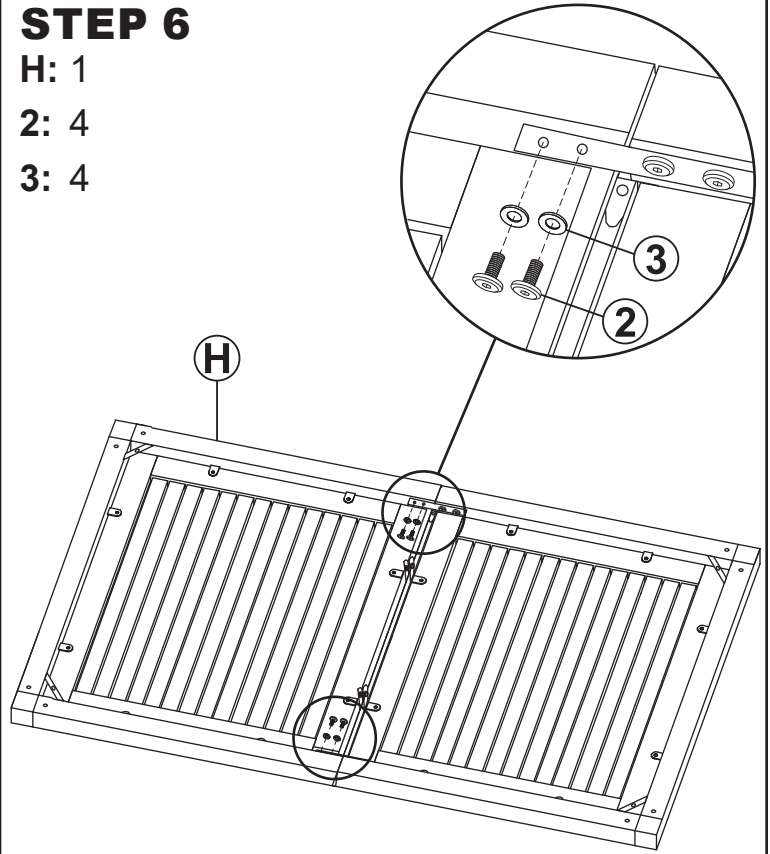


## STEP 6

H: 1

2: 4

3: 4

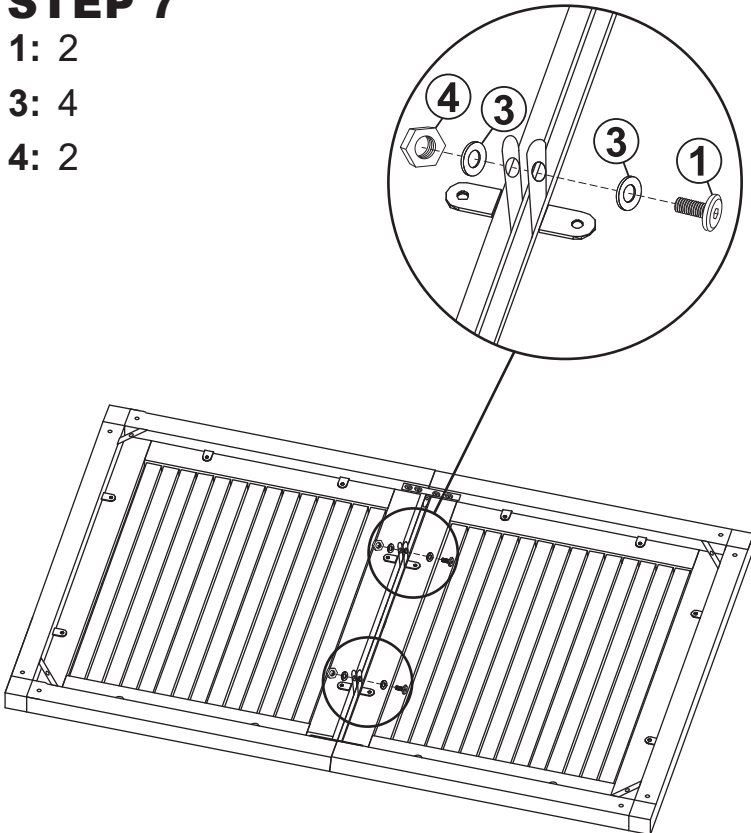


## STEP 7

1: 2

3: 4

4: 2



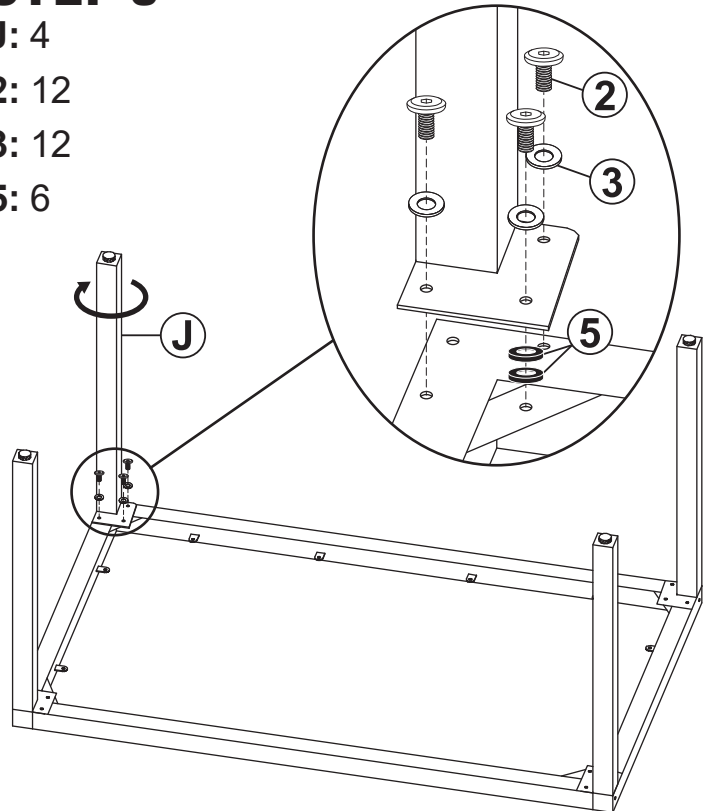
## STEP 8

J: 4

2: 12

3: 12

5: 6



# Care & Maintenance

*Resin wicker furniture requires minimum maintenance.  
Follow these basic tips to prolong the life of your resin wicker furniture.*

**PROTECT:** Storing cushions indoors when the furniture is not in use is highly recommended.

**COVER:** Covering the furniture with a breathable cover when it's not being used will help protect it from the harmful effects of sunlight, dust build-up, and collecting debris.

**SUN EXPOSURE:** All materials and fabrics will eventually fade and degrade from sun exposure. Maintain cushion color and integrity by covering the furniture or storing cushions indoors when not in use.

**WINTER CARE & STORAGE:** Move the furniture to a cool, dry location to preserve the quality and to protect the frame from rusting. Covering furniture while in storage is recommended to help prevent dust build-up. Ensure cushions are completely dry before storing.

## Cleaning

*Regular cleaning keeps your resin wicker furniture looking stunning for many Sunnydaze to come!*

**Do not use harsh chemicals or abrasive materials to clean the furniture.**

 **HAND-WASH ONLY**

 **DO NOT USE BLEACH**

 **DO NOT USE A PRESSURE WASHER**

### Cushions/Pillows

- Brush or vacuum loose dirt from the cushions.
- Wipe the cushions down using a soft cloth and cool water. For more stubborn stains, clean with mild soap and cool water, using a soft-bristle brush.

### Furniture

- Remove all cushions and tabletop.
- Brush, vacuum or use a garden hose to remove loose dirt and debris. If using a hose with a spray nozzle, use gentle or medium pressure settings; using high-pressure sprayer settings will damage the construction of the furniture and void the product warranty.
- Mix 1/4 cup of soap or a mild detergent with 1 gallon of warm water. Using a soft-bristle brush, gently scrub the dirt and grime from the resin wicker.
- Spray with the garden hose or use a bucket of water to rinse all traces of soap residue from the furniture.

### Wooden Surfaces

- Use a damp cloth to wipe down wooden surfaces and dry with a soft cloth.

## SAFETY STATEMENTS & WARNINGS

- Do not exceed the weight capacity of the furniture.
- Do not sit, stand, or climb on the table.
- Inspect hardware often and tighten loose hardware before use.
- Do not put hot items on or near furniture.
- Keep furniture a safe distance from heat sources such as fire pits, patio heaters, and grills.
- Do not allow children to use this product without adult supervision.
- Do not use harsh chemicals or abrasive materials to clean the furniture.

**Any modification to the product or failure to follow recommended care will void the product warranty.**

*If you experience issues with assembly or the product was damaged during shipping,  
please contact our customer service team through one of the methods mentioned at the top of page 1.*

*Please have the item number and order information ready to expedite response time.*

### WARNING:

**Manufacturer and seller expressly disclaim any and all liability from personal injury, property damage or loss, whether direct or indirect, or incidental, resulting from the incorrect attachment, improper use, inadequate maintenance, or neglect of this product.**