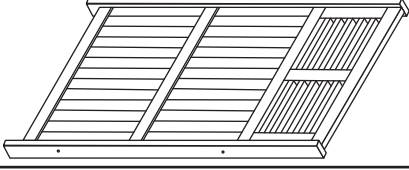




Thank you for choosing Sunnydaze Decor. We stand behind our brand and the quality of the items we sell. Replacement parts or products will be sent at our discretion within the 1-year warranty period. Proof of purchase, with the date of purchase as well as photos of the merchandise defect, must be provided. Photos are used to determine the cause of defects and for future quality control. Register your warranty at <https://tiny.cc/SunnydazeWarranty>. If you have any questions, comments or concerns, feel free to contact us by phone at 833-982-1977, by email: customerservice@sunnydazedecor.com, or via our contact us page at <https://tiny.cc/SunnydazeContact>

PATIO & GARDEN PRIVACY SCREEN LAM-683



NO.	PARTS	QTY.
A	 Screen Panel	4
B	 Post	5
C	 Eye Screw	16



Inspect packaging to ensure all parts are accounted for before disposing of packing materials.
Save the packing slip.

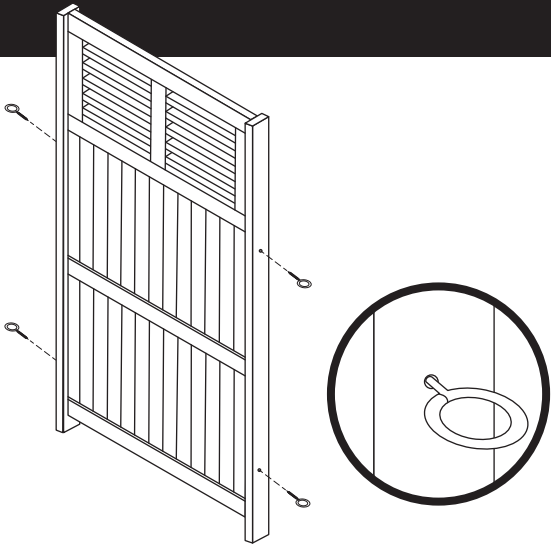


2-PERSON
INSTALLATION
RECOMMENDED

! HELPFUL HINTS

- This item was treated with teak oil at the factory. Apply a suitable wood oil at least once a year, or when the wood looks particularly dry. Left untreated, the wood will weather to a silvery gray color.
- Save this manual for future reference.

ASSEMBLY



- Screw four Eye Screws (C) into the outside edges of Screen Panel (A), as shown. Do not over-tighten.
- Ensure each eye screw is positioned horizontally.
- Repeat this step until all eye screws have been installed into the remaining screen panels.

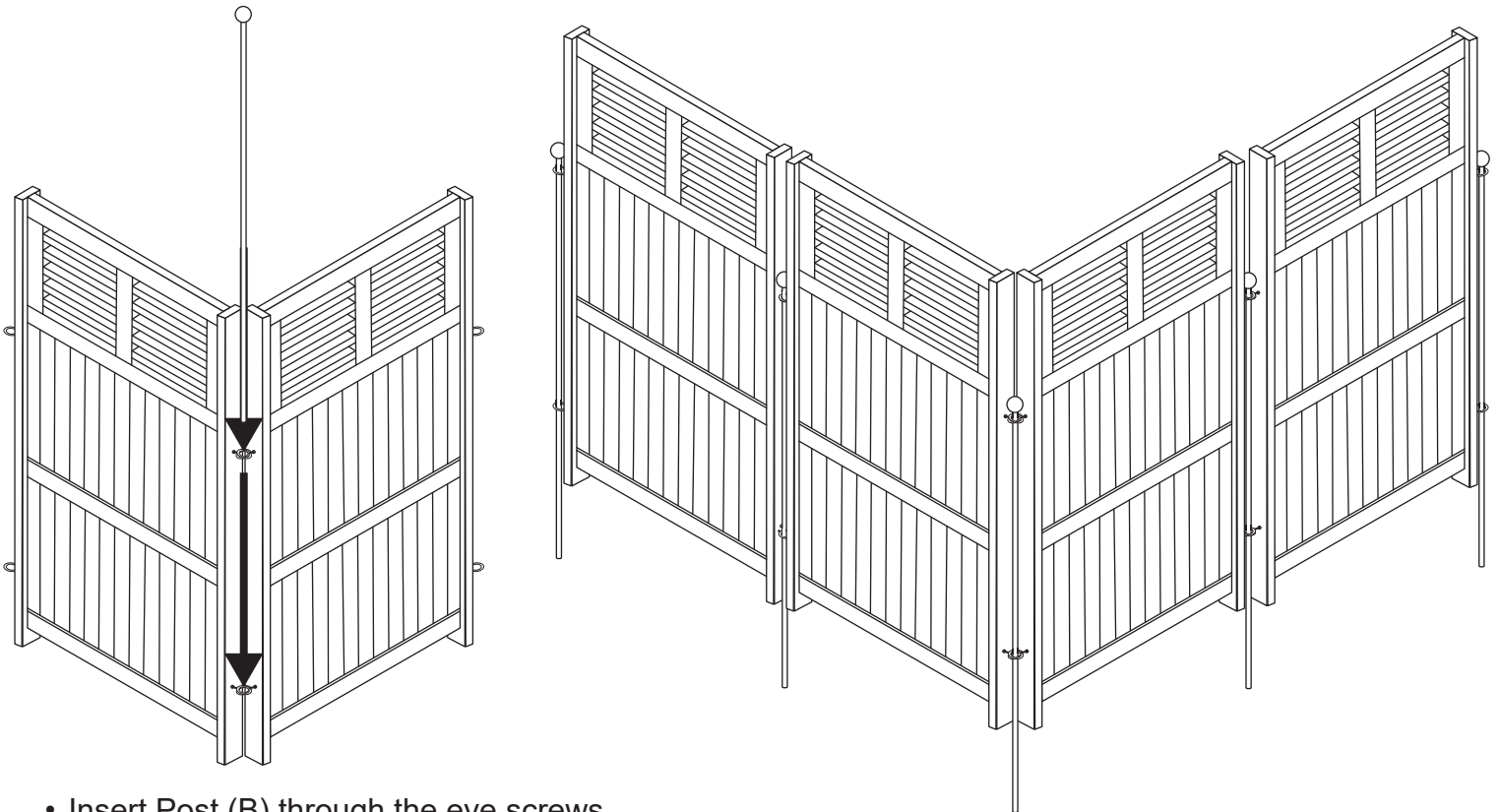
INSTALLATION

2-person installation is recommended to prevent panels from falling and breaking during installation.

! HELPFUL HINT

For easier installation, create post holes before installing the posts.

Use a hammer to drive a stake or dowel into the ground. The stake or dowel should be approximately the same diameter or slightly smaller than the pole. Tools for creating post holes are not included.



- Insert Post (B) through the eye screws.
- Ensuring the post is straight, push the end of the post into the ground until the top of the post is near the top eye screw.
- Install remaining panels to your desired configuration.

General Use & Care

INSTALLATION: Install posts into firm soil. Do not attempt to install into rocks, sand or loose soil as doing so could result in the screen leaning or tipping over.

INSPECT: Periodically check that posts are firmly in the ground. Push posts further into the soil as necessary.

WINTER CARE & STORAGE: Protect this item from ice and snow. Store in a dry, indoor location. Covering the unit while in storage will help prevent dust buildup.

MAINTENANCE: This item was treated with teak oil at the factory. To maintain the appearance, apply a suitable penetrating Wood, Teak or Linseed Oil (not included) yearly, or when the wood looks particularly dry. Clean the panels and bring them into a warm, indoor location. Allow the panels to thoroughly dry before applying oil; drying may take several days. Only apply oil to wooden surfaces. Use a soft cloth or soft brush and carefully apply oil as directed by the wood oil manufacturer.

WARNING: THE ONE-YEAR WARRANTY DOES NOT COVER DAMAGES OR DEFECTS CAUSED BY THE APPLICATION OF CHEMICAL TREATMENTS OR PROTECTIVE COATINGS.

Cleaning

Do not use harsh chemicals or abrasive materials to clean the furniture.



HAND-WASH ONLY



DO NOT USE BLEACH



DO NOT USE A PRESSURE WASHER

Identify the direction of the woodgrain. Following the direction of the woodgrain, use a soft cloth or a soft-bristled brush, like a paintbrush, to remove loose dust, dirt and debris.

Wipe posts down with a soft, dry cloth.

Troubleshooting

THE POST WON'T GO FAR ENOUGH INTO THE GROUND

- Check for obstacles beneath the soil such as rocks, tree roots, or pavement.
- The soil may be too dry. Soak the soil with water and try inserting the post(s) again.
- Create a post hole with a dowel and a hammer (not included). Carefully hammer the dowel into the ground, remove the dowel and push the fence post into the hole.

THE SOIL AROUND THE POST IS TOO LOOSE

- Push the soil towards the post by firmly stepping on the soil and pushing towards the post.

! SAFETY STATEMENTS & WARNINGS !

- Keep privacy screen a safe distance from heat sources such as fire pits, patio heaters, and grills.
- Do not install into soil or landscaping that cannot support the installed panels during windy conditions.
- Do not use harsh chemicals or abrasive materials to clean the wood.

Any modification to the product or failure to follow recommended care will void the product warranty.

! WARNING:

Manufacturer and seller expressly disclaim any and all liability from personal injury, property damage or loss, whether direct or indirect, or incidental, resulting from the incorrect attachment, improper use, inadequate maintenance, or neglect of this product.